



FEATURES

- Full diode bridge with integrated clamping protection
- Breakdown voltage : $V_{BR} = 6V$ min.
- Peak pulse power dissipation : $P_{PP} = 500W (8/20\mu s)$
- Very low capacitance, compatible with USB data rate.

DESCRIPTION

In order to prevent fast transients from leading to severe damages in a USB system, a specific protection has been developed by SGS-Thomson Microelectronics.

The **USB6Bx** protects the two data wires against ESD discharge. Besides, this device also keeps the power rails in a safe limit thanks to the integrated TransilTM diode.

BENEFITS

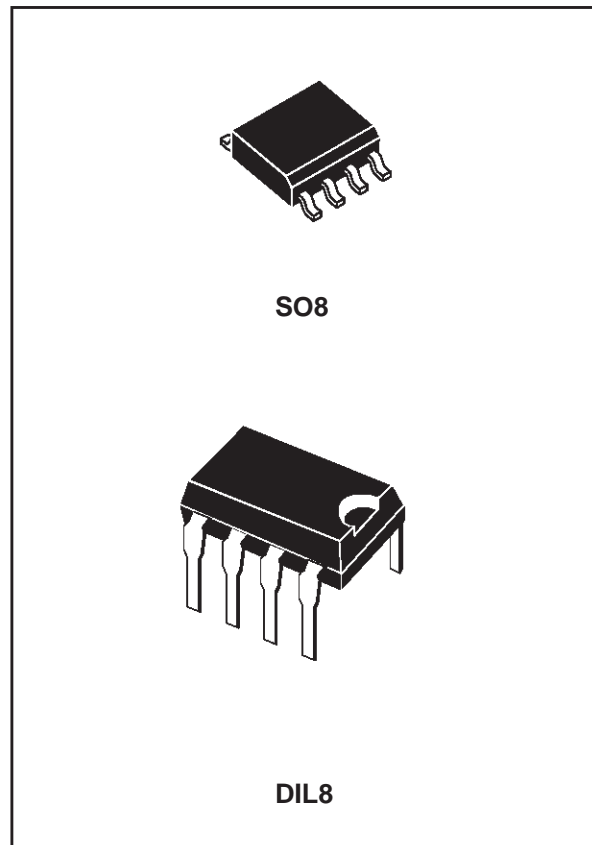
- Provides protection for each dataline and between V_{bus} supply and GND : 25A , 8/20 μs .
- High ESD protection level : up to level 3 per MIL STD 883C-Method 3015-6
- Separated inputs and outputs (so-called 4-point structure) to improve ESD susceptibility.
- Comprehensive package pin-out for immediate implementation.

COMPLIES WITH THE FOLLOWING STANDARDS:

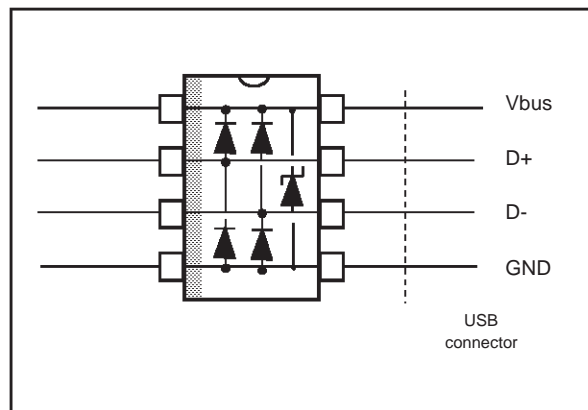
MIL STD 883C - Method 3015-6
class 3 $C = 100 pF$ $R = 1500 \Omega$
3 positive strikes and 3 negative strikes ($F = 1 Hz$)

IEC-1000-4-2 level 4
15 kV (air discharge)
8 kV (contact discharge)

TM: ASD and TRANSIL are trademarks of SGS-THOMSON Microelectronics.



FUNCTIONAL DIAGRAM



TECHNICAL INFORMATION

1. Universal Serial Bus

The new data transmission standard, Universal Serial Bus (USB) is being driven by market leaders in the world of Computer and Telecommunications, including Compaq, DEC, IBM, Intel, Microsoft, NEC and Nortel, and will become the leading transmission protocol within the next few years.

This standard mainly provides simplified interconnectivity. Specialized ports on the back of the present PC will largely be replaced by USB ports. Many peripherals such as printers, keyboards, monitors and joysticks will also host USB ports.

The USB offers high speed communication rates up to 12 Mbit/s. Only two wires (D+, D-) are required for data transfer. Additionally, limited amount of power for USB devices located on the downstream can also be transmitted on two separate conductors within the same cable.

2. Protection to support USB

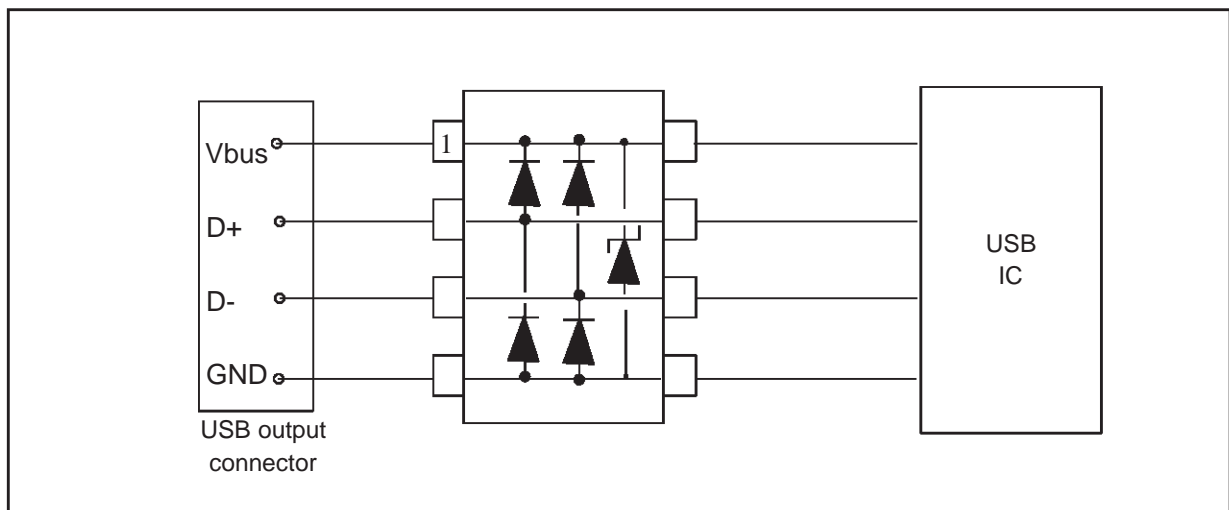
Designers dealing with the USB chips are concerned about electrostatic discharge sensitivity (ESD) of their USB controller ICs.

The USB controller is more than just a driver / receiver; it acts as a microcontroller which manages power and direct signal traffic. This complexity increases its cost over conventional devices. Therefore, a failure of a USB port could result in costly computer failure.

In order to prevent these fast transients from leading to severe damages in a system, a specific protection has been developed by SGS Thomson Microelectronics. The USB6Bx protects not only the two wires of data transmission, but also keep the power rails in a safe limit.

The USB6Bx includes four diodes and one clamping device.

Fig. 1 : recommended configuration



The capacitance between the I/O transmission wires provides no significant signal distortion at the 12 Mbit/s data rate, thus allowing full compatibility with USB standard.

Available either in a compact SO8 or in a through-hole DIL8 package, this protective element requires minimal board space and eases the PCB layout thanks to its direct compatibility with the USB connector pin-out.

ABSOLUTE MAXIMUM RATINGS ($T_{amb} = 25^{\circ}\text{C}$)

Symbol	Parameter		Value	Unit
V_{PP}	Peak pulse voltage	IEC1000-4-2 contact discharge IEC1000-4-2 air discharge MIL STD883C-Method 3015-6	8 15 4	kV
P_{PP}	Peak pulse power	8/20 μs	500	W
I_{PP}	Peak pulse current	8/20 μs	25	A
T_{stg} T_j	Storage temperature range Maximum junction temperature		- 55 to + 150 + 150	$^{\circ}\text{C}$ $^{\circ}\text{C}$
T_L	Lead solder temperature (10s duration)		260	$^{\circ}\text{C}$

ELECTRICAL CHARACTERISTICS ($T_{amb} = 25^{\circ}\text{C}$)

Symbol	Parameter		Value			Unit
			min.	typ.	max.	
V_{BR}	Breakdown voltage between V_{bus} and GND	$I_R=1\text{mA}$	6			V
I_{RM}	Leakage current	$V_{RM}=5.25\text{V}$			10	μA
C	Capacitance between pins D+ and D- $V_{\text{signal}}=30\text{mV}$, $F=1\text{MHz}$, $V_D=0\text{V}$	V_{CC} not connected		15		pF
	Capacitance between pins D+ (or D-) and GND $V_{\text{signal}}=30\text{mV}$, $F=1\text{MHz}$, $V_D=5\text{V}$	$V_{CC}=5\text{V}$		25		pF

Fig 1: Peak power dissipation versus initial junction temperature.

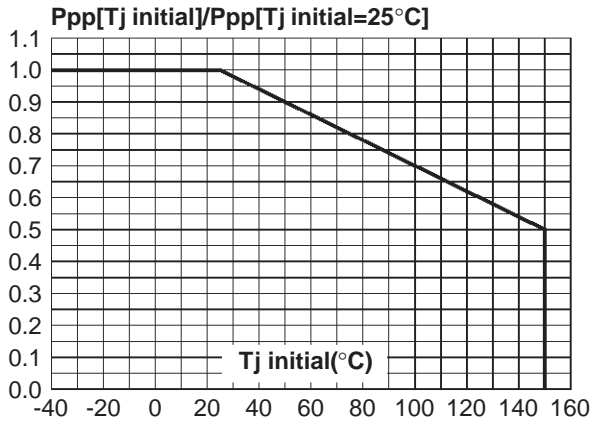


Fig 2: Relative variation of leakage current versus junction temperature (typical values).

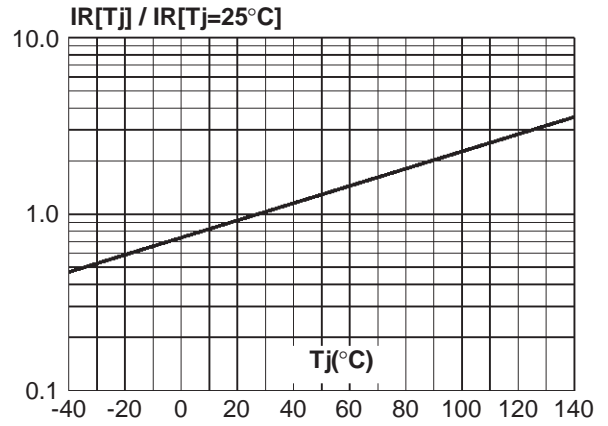
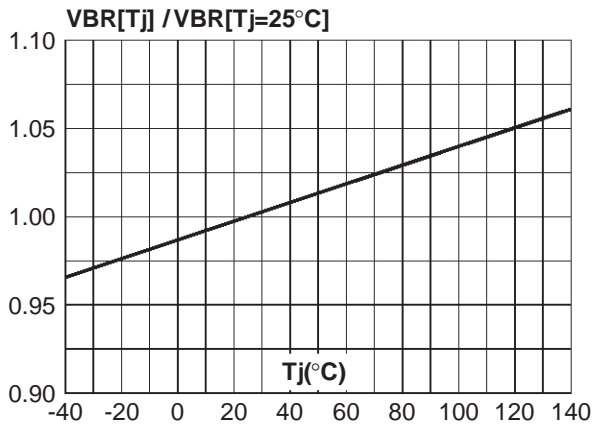
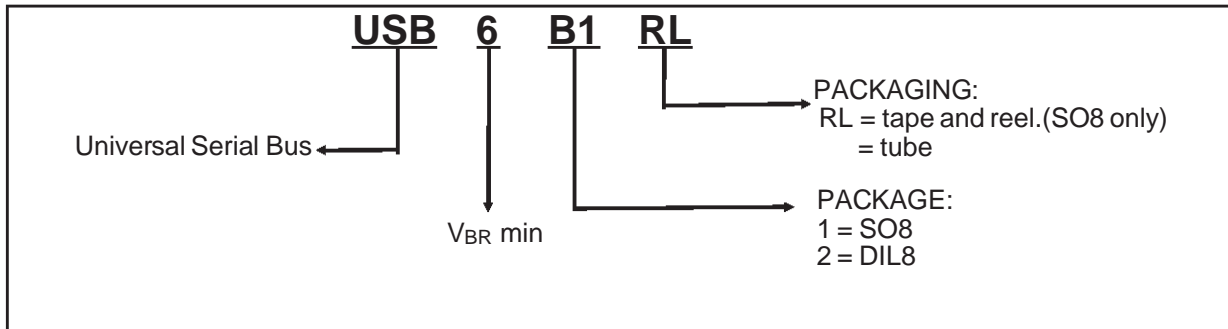


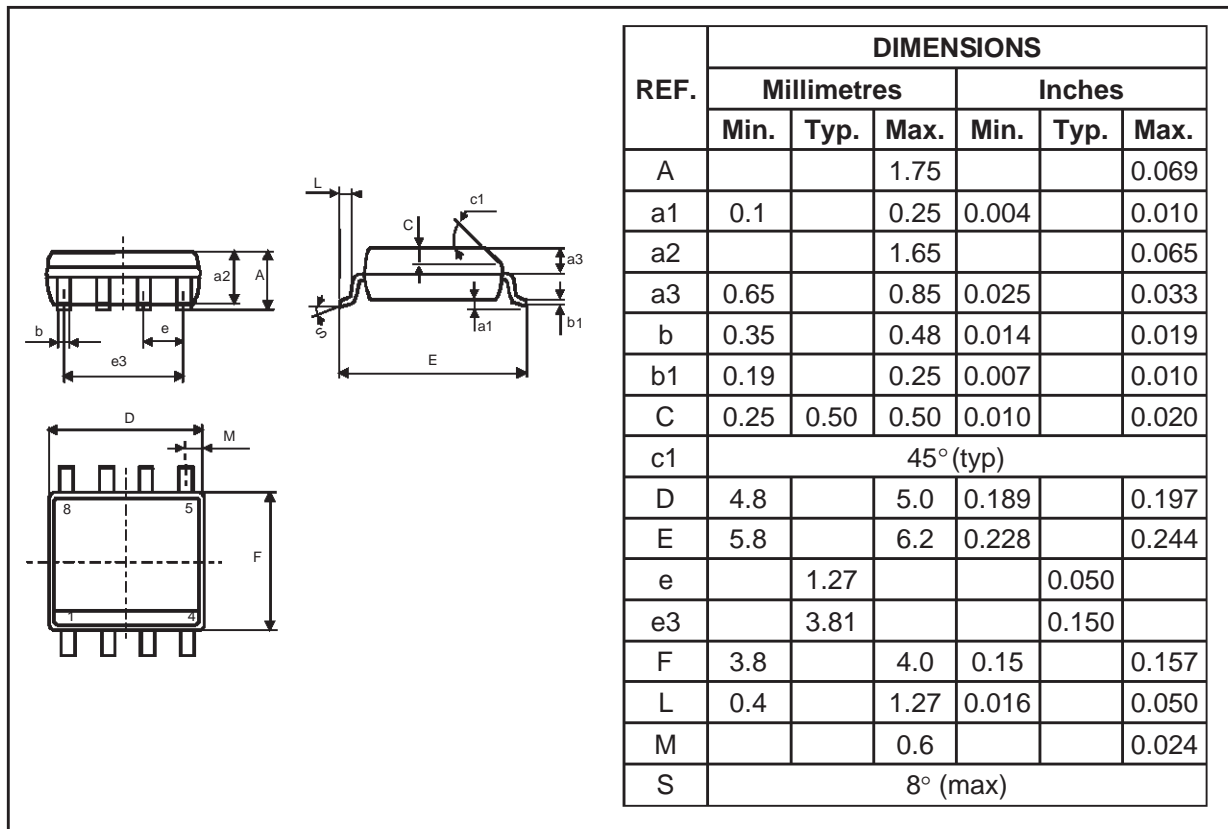
Fig 3: Relative variation of breakdown voltage versus junction temperature (typical values).



ORDER CODE



PACKAGE MECHANICAL DATA.
SO8 Plastic



USB6Bx

PACKAGE MECHANICAL DATA. DIL8 Plastic

REF.	DIMENSIONS					
	Millimetres			Inches		
	Min.	Typ.	Max.	Min.	Typ.	Max.
a1	0.51				0.020	
B	0.85		1.40	0.033		0.055
b		0.5			0.020	
b1	0.38		0.50	0.015		0.020
D			10.15			0.399
E	8.10	8.80	9.40	0.319	0.346	0.370
e		2.54			0.100	
e3		7.62			0.300	
F			7.1			0.280
I			5.1			0.200
L		3.3			0.130	
Z			1.50			0.063

MARKING

Types	Package	Weight	Marking	ORDER CODE	Base Qty
USB6B1	SO8	0.077g	USB6	USB6B1	100 pcs (tube)
				USB6B1RL	2500 pcs (tape and reel)
USB6B2	DIL8	0.59g	USB6	USB6B2	50 pcs (tube)

Information furnished is believed to be accurate and reliable. However, STMicroelectronics assumes no responsibility for the consequences of use of such information nor for any infringement of patents or other rights of third parties which may result from its use. No license is granted by implication or otherwise under any patent or patent rights of STMicroelectronics. Specifications mentioned in this publication are subject to change without notice. This publication supersedes and replaces all information previously supplied. STMicroelectronics products are not authorized for use as critical components in life support devices or systems without express written approval of STMicroelectronics.

The ST logo is a registered trademark of STMicroelectronics

© 1998 STMicroelectronics - Printed in Italy - All rights reserved.

STMicroelectronics GROUP OF COMPANIES

Australia - Brazil - Canada - China - France - Germany - Italy - Japan - Korea - Malaysia - Malta - Mexico - Morocco -
The Netherlands - Singapore - Spain - Sweden - Switzerland - Taiwan - Thailand - United Kingdom - U.S.A.