

Automotive Wipe/Wash or Interval Switch

Description

As a convenience feature of the windshield wiper intermittent and wipe/wash operation are implemented in most of the automobiles. The U642B controls all timing functions accurately at a reasonable price level. Interval pause and afterwiping time can be set to fixed values with the help of resistors in a broad time range. Added value

can be provided with an individual, continuous adjustment of the interval pause by a potentiometer which may be built into the stalk. For proper operation it is mandatory to feed the signal of the wiper motor's park switch into U642B.

Features

- Interval pause: 4 to 20 s
- Afterwiping time: 2 to 20 s
- Wiper motor's park switch
- Wipe/wash mode priority
- One external capacitor, determines all time sequences
- Relay driver with Z-diode
- Interference protection according to VDE 0839 or ISO/TR 7637/1
- Load-dump protected

Ordering Information

Extended Type Number	Package	Remarks
U642B	DIP8	
U642B-FP	SO8	

Block Diagram

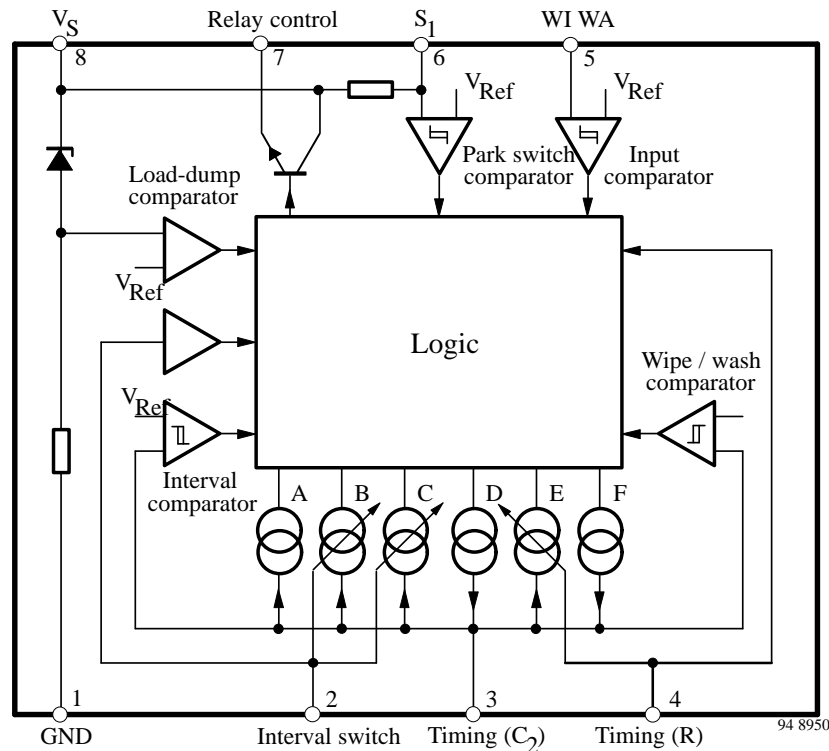


Figure 1. Block diagram

Pin Configuration

Pin	Symbol	Function
1	GND	Ground
2	Input 1	Interval switch
3	t_c	Timing capacitor C_2
4	R_4	Afterwiping time resistance
5	WIWA	Wipe/Wash switch
6	S_1	Park switch for wiper motor
7	RELAY	Relay control output
8	$+V_{Batt}$	Supply voltage KI. 15

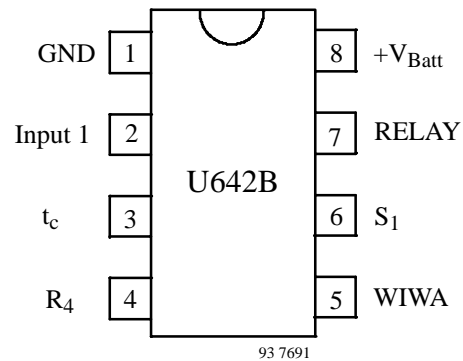


Figure 2. Pinning

Circuit Description

Interval Function, Pin 2

By closing the internal switch, S_2 , to supply voltage, $+V_{Batt}$, the motor is activated. The internal current source (Pin 3) which holds the capacitor C_2 in charged state is switched-OFF. As soon as there is a positive potential at the park switch (S_1), current source F (see figure 1) charges the capacitor C_2 very fast. After the wiper operation is finished, S_1 is again at ground potential, the relay is in OFF position – interval pause begins – the capacitor C_2 is discharged through the current source C, till the voltage at Pin 3 is below the threshold of 2 V. Interval pause can be adjusted between 4 s to 20 s with the help of potentiometer R_3 . Now the relay switches ON and the next interval cycle begins. Opening switch S_2 causes current source A to discharge C_2 immediately and current sources C and F are switched-OFF.

Wipe/Wash (WIWA) Operation, Pin 5

By closing the WIWA-switch, S_3 , to supply voltage, $+V_{Batt}$, water pump starts spraying the water on the windscreen, the current source A is switched-OFF which keeps the capacitor C_2 in discharged state. Now the capacitor is charged through the current sources D and F, and when after a time interval of approximately 100 ms, the voltage

at the capacitor is greater than 6.5 V, the relay is turned on as long as the switch "WIWA" is closed.

The after-wipe-time begins after the switch is open whereas the sources D and F are switched OFF and the source E is activated. Source E discharges the capacitor till the voltage is less than 2.2 V. The relay is OFF and the wiper-motor is switched OFF. The after-wipe-time is determined by the current source E which can be regulated with the external resistor R_{Time} . Afterwards the source A discharges the capacitor. Relay switch OFF is independent of the park switch S_1 .

Interval and WIWA Functions

The interval function is interrupted immediately when the switch S_2 is activated. The current source A discharges the capacitor to a value of 2 V, afterwards the normal S_2 function starts.

Interval wiping starts immediately when the after-wipe-time is over. The switching delays are slightly shorter, because the capacitor is already charged to a value of 2 V.

The Wipe/Wash function is not interrupted when interval switch S_2 is activated. Interval function begins after the WIWA function is over.

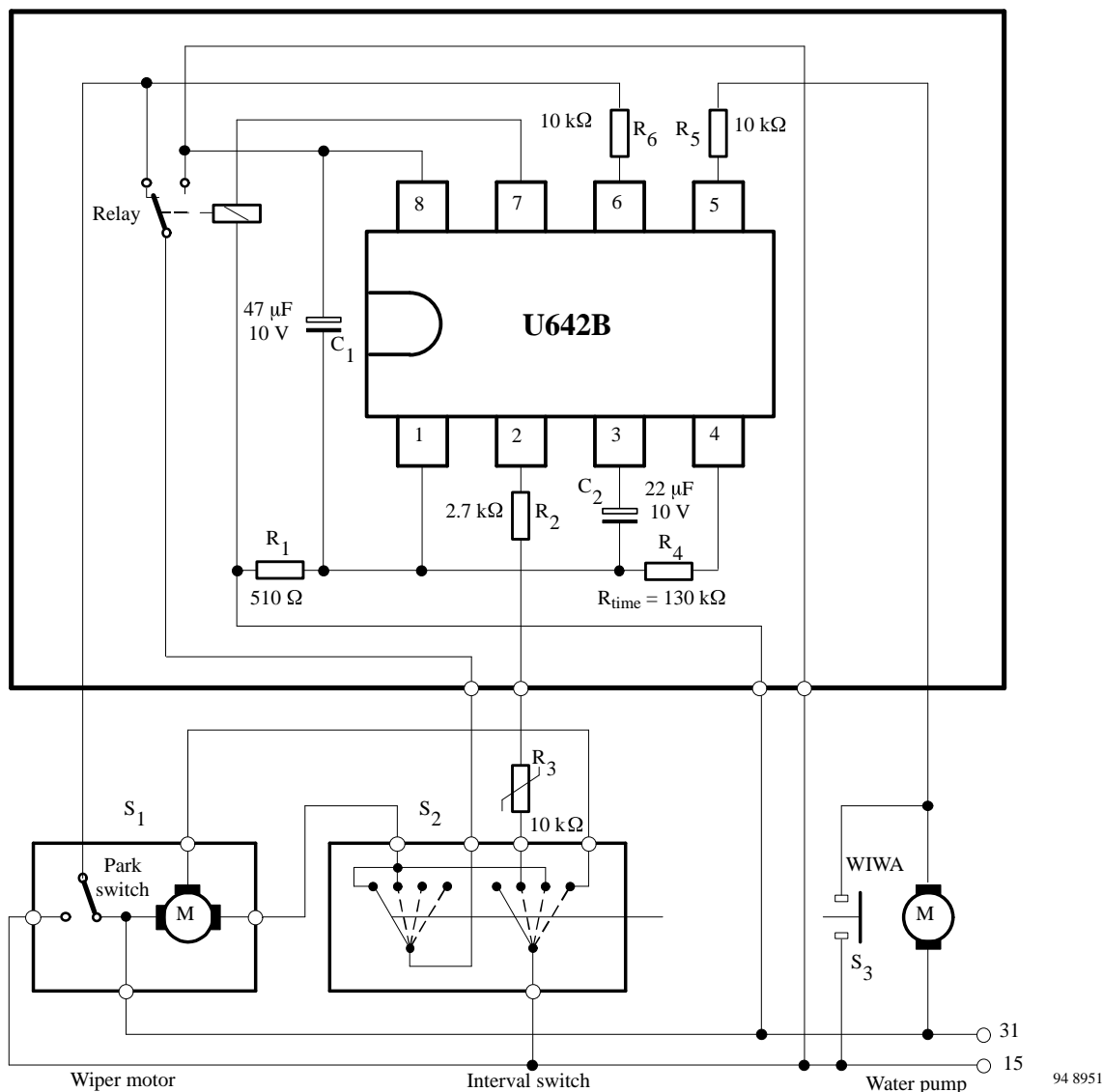


Figure 3. Application circuit with interval and wipe/wash operation

Absolute Maximum Ratings

Parameters		Symbol	Value	Unit
Supply voltage	$t = 60 \text{ s}$ Terminal 15, Pin 8	V_{Batt}	28	V
Supply current	$t = 2 \text{ ms}$ Pin 8	I_8	1.5	A
	$t = 200 \text{ ms}$	I_8	150	mA
Relay control output current (DC)	Pin 7	I_7	200	mA
	$t = 200 \text{ ms}$	I_7	1.2	A
Pulse current (control inputs) $t = 200 \text{ ms}$				
	Park switch, S_1 Pin 6	I_6	50	mA
	Wipe/Wash switch, S_3 Pin 5	I_5	50	
	Interval switch, S_2 Pin 2	I_2	50	
Power dissipation	$T_{\text{amb}} = 90^\circ\text{C}$	P_{tot}	500	mW
Storage temperature range		T_{stg}	-55 to +125	$^\circ\text{C}$
Ambient temperature range		T_{amb}	-40 to +85	$^\circ\text{C}$

Thermal Resistance

Parameters		Symbol	Value	Unit
Junction ambient	DIP8	R_{thJA}	110	K/W
	SO8	R_{thJA}	160	K/W

Electrical Characteristics

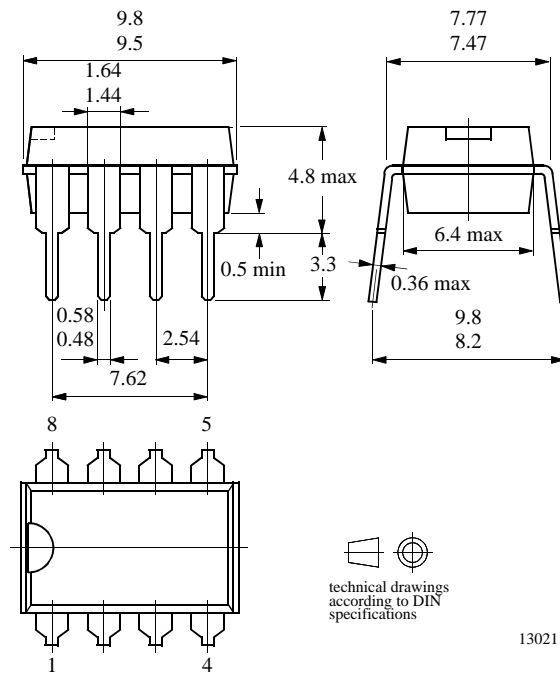
$V_{Batt} = 12\text{ V}$, $T_{amb} = 25^\circ\text{C}$, (see figure KEIN MERKER) unless otherwise specified.

Parameters	Test Conditions / Pins	Symbol	Min.	Typ.	Max.	Unit
Supply voltage	Pin 8	V_{Batt}	9		16.5	V
Supply current		I_8		10		mA
Z-diode limitation		V_2		-7.6		V
Overvoltage						
Threshold current		I_1		-50		mA
Threshold voltage		V_{Batt}		35		V
Relay control output Pin 7						
Saturation voltage	$I_7 = 100\text{ mA}$ $I_7 = 200\text{ mA}$	V_7			-1.0 -1.5	V
Reverse current		I_7			-0.1	mA
Park switch Pin 6						
Internal pull-up resistance	$R_6 = 10\text{ k}\Omega$	R_6		50		$\text{k}\Omega$
Switching threshold voltage		V_6		-3.3		V
Protection diode	$I_6 = -10\text{ mA}$	V_6		-0.8		V
	$I_6 = 10\text{ mA}$	V_6		7.6		V
Input C₂ Pin 3						
Internal resistance		R_3		100		Ω
Interval input, $R_2 = 2.7\text{ to }30\text{ k}\Omega$ Pin 2						
Protection diode	$I_2 = -10\text{ mA}$	V_2		-0.8	7.6	V
	$I_2 = 30\text{ mA}/10\text{ ms}$					
WIWA Input, $R_5 = 10\text{ k}\Omega$ Pin 5						
Switching threshold/ Hysteresis		V_5		-1.4/-5.4		V
Protection diode	$I_5 = -10\text{ mA}$	V		-0.8	7.6	V
	$I_5 = 10\text{ mA}$					
Switching Characteristics, $R_4 = 47\text{ k}\Omega\text{ to }300\text{ k}\Omega$, $I_4 = -150\text{ }\mu\text{A}$						
Interval time	$R_3 = 0\text{ k}\Omega$	t_2	3.6	4	4.4	s
	$R_3 = 10\text{ k}\Omega$					
Switch-ON time		t_{on}		100		ms
After-wipe-time	$R_4 = 130\text{ k}\Omega$ Pin 5	t_5	4.75	5.25	5.75	s

Package Information

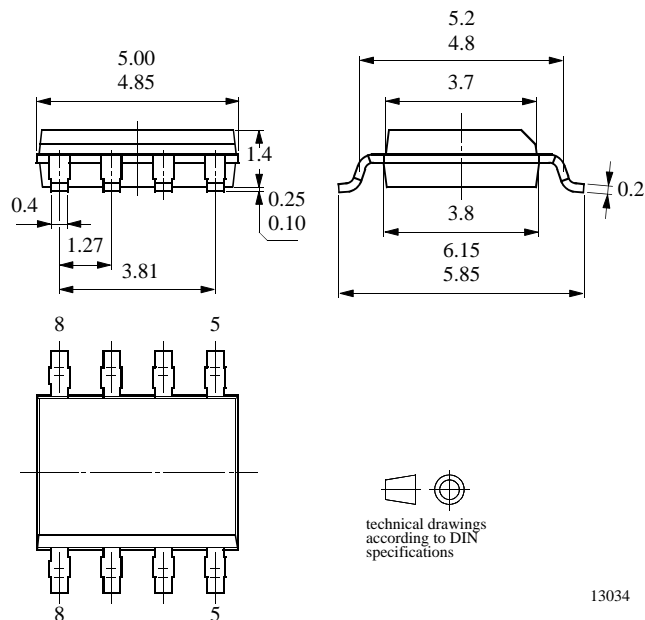
Package DIP8

Dimensions in mm



Package SO8

Dimensions in mm



Ozone Depleting Substances Policy Statement

It is the policy of **TEMIC TELEFUNKEN microelectronic GmbH** to

1. Meet all present and future national and international statutory requirements.
2. Regularly and continuously improve the performance of our products, processes, distribution and operating systems with respect to their impact on the health and safety of our employees and the public, as well as their impact on the environment.

It is particular concern to control or eliminate releases of those substances into the atmosphere which are known as ozone depleting substances (ODSs).

The Montreal Protocol (1987) and its London Amendments (1990) intend to severely restrict the use of ODSs and forbid their use within the next ten years. Various national and international initiatives are pressing for an earlier ban on these substances.

TEMIC TELEFUNKEN microelectronic GmbH semiconductor division has been able to use its policy of continuous improvements to eliminate the use of ODSs listed in the following documents.

1. Annex A, B and list of transitional substances of the Montreal Protocol and the London Amendments respectively
2. Class I and II ozone depleting substances in the Clean Air Act Amendments of 1990 by the Environmental Protection Agency (EPA) in the USA
3. Council Decision 88/540/EEC and 91/690/EEC Annex A, B and C (transitional substances) respectively.

TEMIC can certify that our semiconductors are not manufactured with ozone depleting substances and do not contain such substances.

We reserve the right to make changes to improve technical design and may do so without further notice.

Parameters can vary in different applications. All operating parameters must be validated for each customer application by the customer. Should the buyer use TEMIC products for any unintended or unauthorized application, the buyer shall indemnify TEMIC against all claims, costs, damages, and expenses, arising out of, directly or indirectly, any claim of personal damage, injury or death associated with such unintended or unauthorized use.

TEMIC TELEFUNKEN microelectronic GmbH, P.O.B. 3535, D-74025 Heilbronn, Germany
Telephone: 49 (0)7131 67 2831, Fax number: 49 (0)7131 67 2423