

## IF 1-Chip Processor (Video IF and Mono FM Sound IF)

### Description

The U4462B is a video/sound IF concept for TV-IF signal processing. The circuit processes all video IF signals with negative modulation and FM sound IF signals

(mono FM intercarrier sound). With 5 V supply voltage, the U4462B is suitable for TV, VCR and multimedia applications.

### Features

- 5 V supply voltage; low power consumption
- Minimum number of external components
- Active carrier generation by FPLL principle (frequency-phase-locked-loop) for true synchronous demodulation
- Very linear video demodulation, excellent pulse response and good intermodulation figures
- VCO circuit is operating on picture carrier frequency
- Alignment-free AFC without external reference circuit
- VIF-AGC with peak sync detection
- Tuner AGC with adjustable take-over point
- Completely alignment-free PLL demodulator for FM-intercarrier sound IF signals (mono)

### Ordering Information

Extended Type Number	Package	Remarks
U4462B-BSD	SDIP28	
U4462B-BFLG3	SO28	Delivery in taped form

## Block Diagram

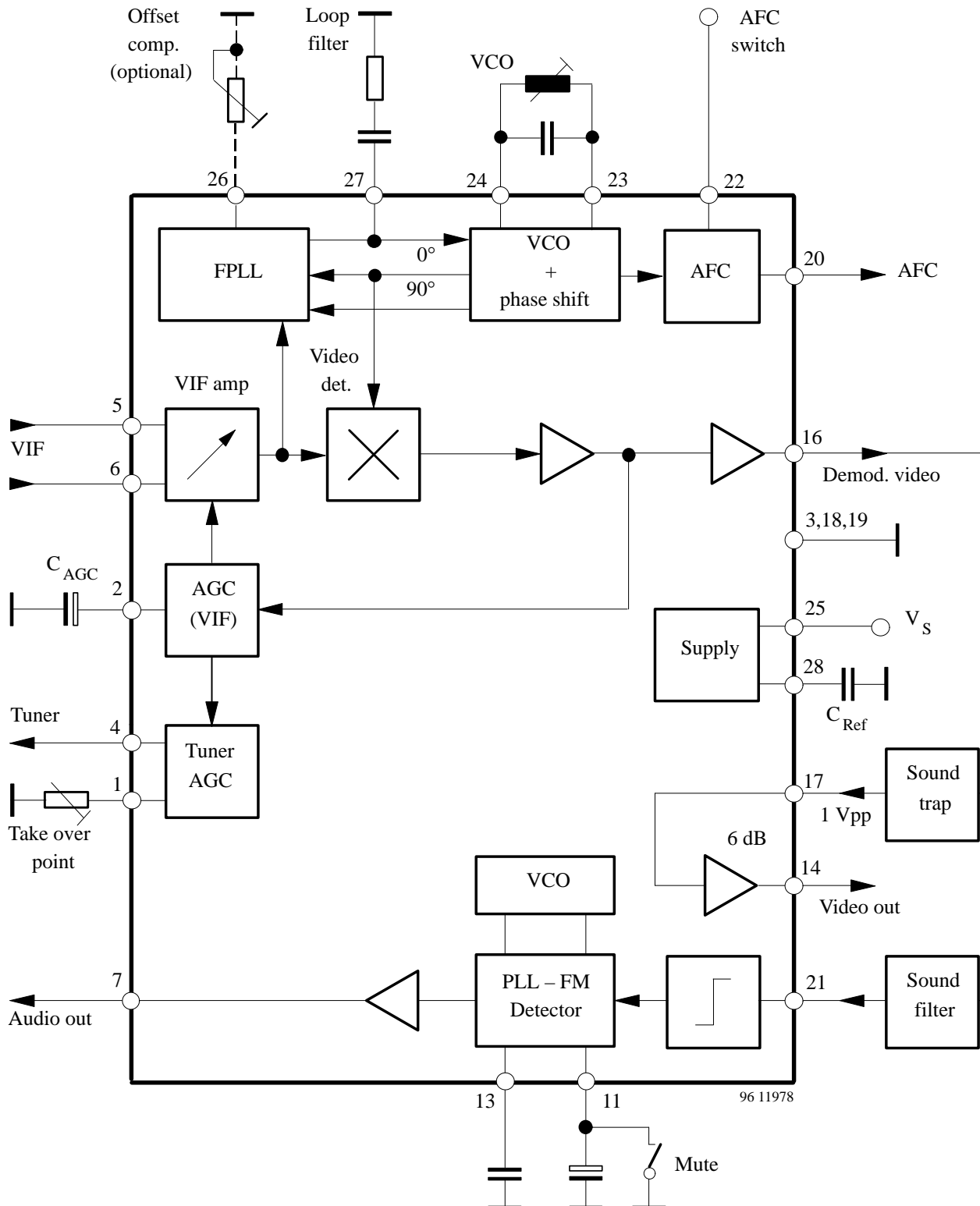


Figure 1. Block diagram

## Circuit Description

### Vision IF Amplifier

The video IF signal (VIF) is fed through a SAW filter to the differential input (Pin 5-6) of the VIF amplifier. This amplifier consists of three ac-coupled amplifier stages. Each differential amplifier is gain controlled by the automatic gain control (VIF-AGC). The output signal of the VIF amplifier is applied to the FPLL carrier generation and the video demodulator.

### Tuner-and VIF-AGC

At Pin 2, the VIF-AGC charges/discharges the AGC capacitor to generate a control voltage for setting the gain of VIF amplifier and tuner in order to keep the demodulated video output signal (Pin 16) at a constant level. Therefore, the sync level of the demodulated video signal is the criterion for a fast charge/discharge of the AGC capacitor. The AGC control voltage at Pin 2 is transferred to an internal control signal and is fed to the tuner AGC to generate the tuner AGC current on Pin 4 (open collector output). The take-over point of the tuner AGC can be adjusted at Pin 1 by a potentiometer or an external dc voltage (from interface circuit or microprocessor).

### FPLL, VCO and AFC

The FPLL circuit (frequency-phase-locked loop) consists of a frequency- and a phase detector to generate control voltage for the VCO tuning. In locked mode, the VCO is controlled by the phase detector and in unlocked mode the frequency detector is superimposed. The VCO operates with an external resonance circuit (L and C parallel) and is controlled by internal varicaps. The VCO control voltage at Pin 27 (loop filter) is also converted to a current and represents the AFC output signal at Pin 20.

A practicable VCO alignment of the external coil is the adjustment to zero AFC output current at Pin 20. At center frequency the AFC output current is equal to zero. The optional potentiometer at Pin 26 allows an offset compensation of the VCO phase for improved sound quality (fine adjustment). Without a potentiometer (open circuit at Pin 26), this offset compensation is not active.

The oscillator signal passes a phase shifter and supplies the in-phase signal (0°) and the quadrature signal (90°) of the generated picture carrier.

### AFC Switch

The AFC output signal at Pin 20 can be controlled by a switching voltage at Pin 22. It is possible to switch off the AFC.

### Video Demodulation and Amplifier

The video IF signal, which is applied from the gain-controlled IF amplifier, is multiplied with the in-phase component of the VCO signal. The video demodulator is designed for low distortion and large bandwidth. The demodulator output signal passes an integrated low-pass filter for attenuation of the residual vision carrier and is fed to the video amplifier. The video amplifier is realized by an operational amplifier with internal feedback and 8 MHz bandwidth. An additional noise clipping is provided. The video signal is fed to VIF-AGC and to the video output buffer. This amplifier offers easy adaptation of the sound trap and sound filter. For nominal video IF modulation, the video output signal at Pin 16 is 1.5 V (peak-to-peak value).

### Sound IF Limiter Amplifier

The intercarrier signal coming from the sound filter is fed to a 7-stage limiter amplifier. This guarantees high input sensitivity and excellent AM suppression.

### PLL-FM Demodulator

The alignment-free "Phase-Locked-Loop" (PLL) FM demodulator covers a wide frequency range of 4.5 MHz up to 6.5 MHz with excellent noise performance. The linear voltage-to-frequency characteristic results in low harmonic distortion. The free-running frequency of the internal VCO circuit is about 5.5 MHz.

### Audio Amplifier, De-emphasis and Mute Switch

The demodulated FM signal is buffered to Pin 7 via de-emphasis filter. The de-emphasis low-pass filter consists of an internal 5-kΩ series resistor and an external capacitor at Pin 13. FM muting is possible by switching Pin 11 to ground.

## Pin Description

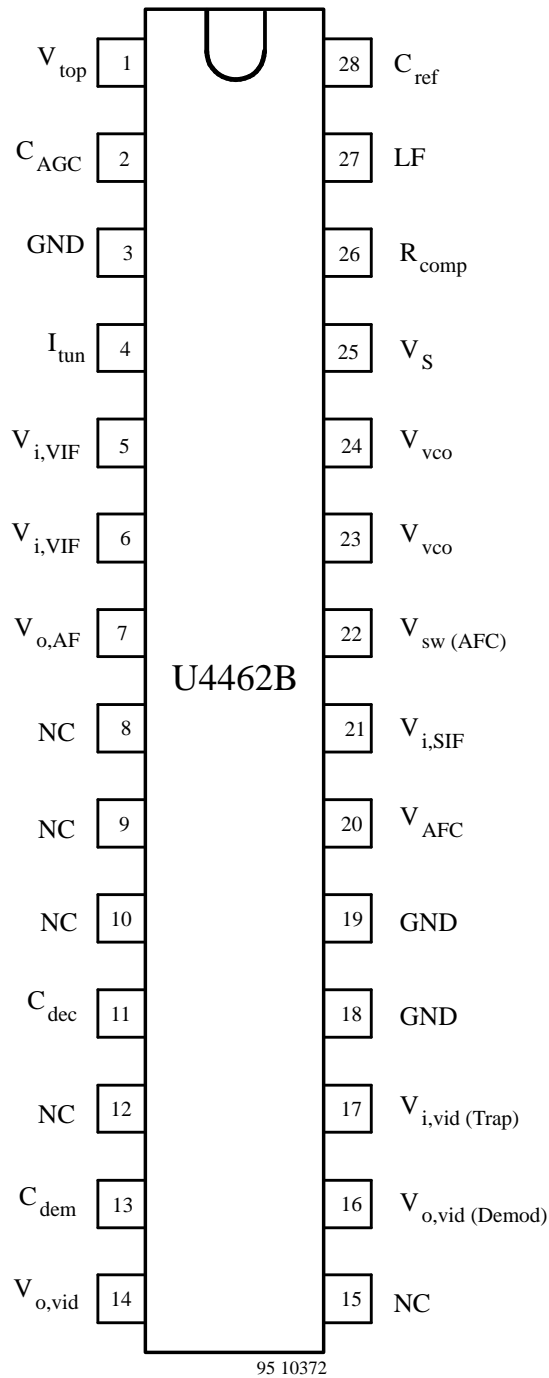


Figure 2. Pinning

Pin	Symbol	Function
1	$V_{top}$	Tuner AGC – take over point
2	$C_{AGC}$	VIF-AGC (time constant)
3	GND	Ground
4	$I_{tun}$	Tuner AGC output current
5, 6	$V_{i,VIF}$	VIF input (symmetrical)
7	$v_{o,AF}$	Audio output
8	NC	Not connected
9	NC	Not connected
10	NC	Not connected
11	$C_{dec}$	Decoupling capacitor and mute switch
12	ND	Not connected
13	$C_{dem}$	De-emphasis capacitor
14	$v_{o,vid}$	Video output (6 dB amplifier)
15	NC	Not connected
16	$V_{o,vid}$	Video demodulator output
17	$V_{i,vid}$	Video input (6 dB amplifier)
18	GND	Ground
19	GND	Ground
20	$V_{AFC}$	AFC output
21	$v_{i,SIF}$	FM sound IF input
22	$V_{sw}$	AFC control switch
23, 24	$V_{vco}$	VCO circuit (FPLL)
25	$V_s$	Supply voltage
26	$R_{comp}$	Offset compensation
27	LF	Loop filter
28	$C_{ref}$	Internal reference voltage

## Absolute Maximum Ratings

Reference point Pin 3 (19), unless otherwise specified

Parameters	Symbol	Value	Unit
Supply voltage SDIP28 package Pin 25 SO28 package	$V_S$	9.0 6.0	V V
Supply current Pin 25	$I_S$	80	mA
Power dissipation $V_S = 9\text{ V}$ $V_S = 6\text{ V}$	P	720 480	mW mW
Output currents Pins 10, 14, 15 and 16	$I_{out}$	5	mA
External voltages Pins 1, 2, 5, 6, 7, 11, 13, 14, 16, 17, 21, 26, 28 23, 24, 27 4 20, 22	$V_{ext}$	+ 4.5  + 3.5 + 13.5 $V_S$	V  V V V
Junction temperature	$T_j$	+125	°C
Storage temperature	$T_{stg}$	-25 to +125	°C
Electrostatic handling *) all Pins	$V_{ESD}$	± 200	V

\*) equivalent to the discharge of a 200-pF capacitor via a 0-Ω resistor

## Operating Range

Parameters	Symbol	Value	Unit
Supply voltage range SDIP28 package Pin 25 SO28 package	$V_S$	4.5 to 9.0 4.5 to 6.0	V V
Ambient temperature	$T_{amb}$	0 to +70	°C

## Thermal Resistance

Parameters	Symbol	Value	Unit
Junction ambient (when soldered to PCB) SDIP28 package SO28 package	$R_{thJA}$	55 75	K/W K/W

## Electrical Characteristics

$V_s = +5\text{ V}$ ,  $T_{amb} = +25^\circ\text{C}$ ; reference point Pin 3 (19), unless otherwise specified

Parameters	Test Conditions / Pins	Symbol	Min.	Typ.	Max.	Unit
<b>DC supply</b> Pin 25						
Supply voltage SDIP28 package SO28 package		$V_S$	4.5 4.5	5.0 5.0	9.0 6.0	V V
Supply current		$I_S$	65	73	80	mA
<b>VIF input</b> Pin 5–6						
Input sensitivity, RMS value	For FPLL locked	$v_{i,VIF}$		80	120	$\mu\text{V}_{\text{RMS}}$
Input resistance	See note 1, page 10	$R_{in}$		1.2		k $\Omega$
Input capacitance	See note 1, page 10	$C_{in}$		2		pF
<b>IF AGC</b> Pin 2						
IF gain control range		$G_v$	60	65		dB
AGC capacitor		$C_{AGC}$		2.2		$\mu\text{F}$
<b>Tuner AGC</b> Pins 1 and 4 (see note 2, page 10)						
Available tuner-AGC current		$I_{tun}$	1	2	4	mA
Permissible output voltage		$V_{tun}$	0.3		13.5	V
IF slip – tuner AGC	Current $I_{tun}$ : 10% to 90%	$\Delta G_{IF}$		8	10	dB
IF input signal for minimum take-over point	$R_{top} = 10\text{ k}\Omega$ ( $V_{top} = 4.5\text{ V}$ )	$v_{in}$			4	mV
IF input signal for maximum take-over point	$R_{top} = 0$ ( $V_{top} = 0.8\text{ V}$ )	$v_{in}$	40			mV
Variation of the take-over point by temperature	$\Delta T_{amb} = 55^\circ\text{C}$ VIF-AGC: $G_v = 46\text{ dB}$	$\Delta v_{in}$		2	3	dB
<b>FPLL and VCO</b> Pins 23, 24, 26 and 27 (see note 3, page 10)						
Max. oscillator frequency	For carrier generation	$f_{vco}$	60			MHz
Vision carrier capture range	$f_{vco} = 38.9\text{ MHz}$ $C_{vco} = 6.8\text{ pF}$	$\Delta f_{cap}$	$\pm 1.5$	$\pm 2$		MHz
Oscillator drift (free-running) as a function of temperature	See note 4, page 10 $\Delta T_{amb} = 55^\circ\text{C}$ , $C_{vco} = 6.8\text{ pF}$ , $f_{vco} = 38.9\text{ MHz}$	$\Delta f/\Delta T$			-0.3	%
<b>Video demodulator output</b> Pin 16						
Output current -source	DC and AC	$\pm I_{out}$	4		5	mA
-sink	DC and AC		2		3	mA
Output resistance	See note 1, page 10	$R_{out}$			100	$\Omega$
Video output signal	Peak-to-peak value	$v_{o,vid}$	1,26	1,4	1,54	$V_{pp}$
Sync level		$V_{sync}$		1.8		V
Zero carrier level (ultra-white level)	AGC voltage $V_2 = 3\text{ V}$	$V_{DC}$		3.3		V
Supply-voltage influence on the ultra-white level		$\Delta V/V$		1		%/V
Video bandwidth (-3 dB)	$R_L \geq 1\text{ k}\Omega$ , $C_L \leq 50\text{ pF}$	B	6	8		MHz

Parameters	Test Conditions / Pins	Symbol	Min.	Typ.	Max.	Unit
Video frequency response over the AGC range		$\Delta B$			2.0	dB
Differential gain error		DG		2	5	%
Differential phase error		DP		2	5	deg
Intermodulation 1.07 MHz related to color carrier	Test signal unmodulated, with picture carrier: 0 dB color carrier: -6 dB sound carrier: -24 dB	$\alpha_{IM}$	52			dB
Video signal to noise ratio	Weighted, CCIR-567	S/N	56	60		dB
Residual vision carrier fundamental wave 38.9 MHz and second harmonic 77.8 MHz		$V_{res}$		2	10	mV
Ripple rejection, Pin 25/ 16	See note 1, page 10	RR	35			dB
<b>AFC output</b> Pin 20						
Control slope		$\Delta I/\Delta f$		0.7		$\mu A/kHz$
Frequency drift by temperature	Related to the picture carrier frequency			0.25	0.6	%
Output voltage: upper limit lower limit		$V_{AFC}$	$V_s-0.6$		0.6	V V
Output current		$I_{AFC}$		$\pm 0.2$		mA
<b>AFC switch</b> Pin 22						
Control voltage: AFC "off" AFC "on"	See note 5, page 10	$V_{sw}$	0 2.0		0.8 $V_s$	V V
Switching current		$I_{sw}$		$\pm 100$		$\mu A$
<b>Video input (6 dB amplifier):</b> Pin 17						
Input resistance	See note 1, page 10	$R_{in}$		3		k $\Omega$
Input capacitance	See note 1, page 10	$C_{in}$		2.0		pF
Internal dc bias voltage (clamping voltage)		$V_{DC}$		1.7		V
Video input signal (CVBS)	Peak-to-peak value	$v_{i,vid}$		1		$V_{pp}$
<b>Video output (6 dB amplifier):</b> Pin 14						
DC output voltage (Sync)		$V_{DC}$		1.25		V
Voltage gain, Pin 17, 14		$G_v$		6		dB
Video output signal (CVBS)	Peak-to-peak value $v_{in} = 1V_{pp}$ Pin 17	$v_{o,vid}$		2		$V_{pp}$
<b>FM sound IF input:</b> Pin 21						
Input limiting voltage, RMS value	AF output signal at Pin 7: -3 dB	$v_{i,SIF}$			150	mV <sub>RMS</sub>
DC input voltage		$V_{DC}$		1.7		V
Input resistance	See note 1, page 10	$R_{in}$		600	750	$\Omega$
Input capacitance	See note 1, page 10	$C_{in}$		1.5		pF

Parameters	Test Conditions / Pins	Symbol	Min.	Typ.	Max.	Unit
<b>FM – PLL</b>						
Free-running frequency		$f_{VCO}$		5.5		MHz
Oscillator drift (free running) as a function of temperature	$\Delta T = 55\text{ }^{\circ}\text{C}$	$\Delta f_{VCO}$		500		kHz
Oscillator shift (free running) as a function of supply voltage	$4.5\text{ V} < V_s < 9.0\text{ V}$	$\Delta f_{VCO}$		200		kHz
Capture range of PLL		$\Delta f_{cap}$	$\pm 1.4$	$\pm 1.9$		MHz
Holding range of PLL		$\Delta f_{hold}$	$\pm 2.0$	$\pm 3.0$		MHz
<b>Audio output – SCART</b> Pin 7						
DC output voltage		$V_{DC}$		2.3		V
AF output voltage		$v_{o,AF}$		500		mV <sub>RMS</sub>
Output resistance		$R_{out}$		140		$\Omega$
<b>De-emphasis capacitor</b> Pin 13						
Value of de-emphasis capacitor		$C_{dem}$		10		nF
<b>Decoupling capacitor and mute switch</b> Pin 11						
Value of decoupling capacitor		$C_{dec}$		2.2		$\mu\text{F}$
Control voltage for “mute off”	AF “on”, see note 6	$V_{sw}$	2.0		$V_s$	V
Control voltage for “mute on”	AF “off”	$V_{sw}$	0		0.8	V

**Notes:**

- 1.) This parameter is given as an application information and not tested during production.
- 2.) An adjustment of the turn-over point (delayed tuner AGC) with external resistor  $R_{top}$  or external voltage  $V_{top}$  is possible.
- 3.) External resonance circuit of VCO:  $f = 38.9\text{ MHz}$ ,  $C_{VCO} = 6.8 - 10\text{ pF}$ , coil  $L_{VCO}$  with unloaded Q factor  $Q_O \geq 55$ , minimum oscillator voltage  $V_{Pin24} = 40\text{ mV}_{RMS}$
- 4.) The oscillator drift is related to the picture carrier frequency, with an external temperature-compensated LC circuit.
- 5.) Without control voltage at Pin 22, the “AFC on” mode is automatically selected.
- 6.) Without external control voltage at Pin 11, the mute function is not active.



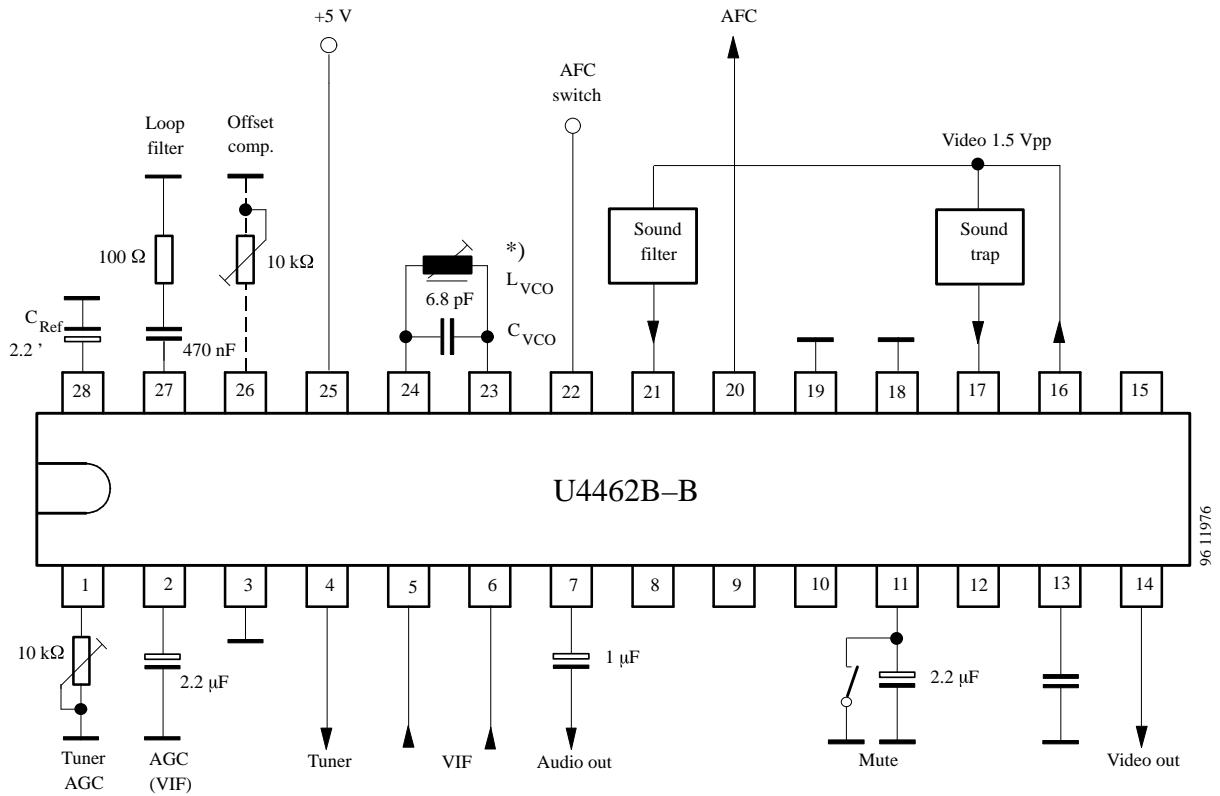


Figure 3. Test circuit

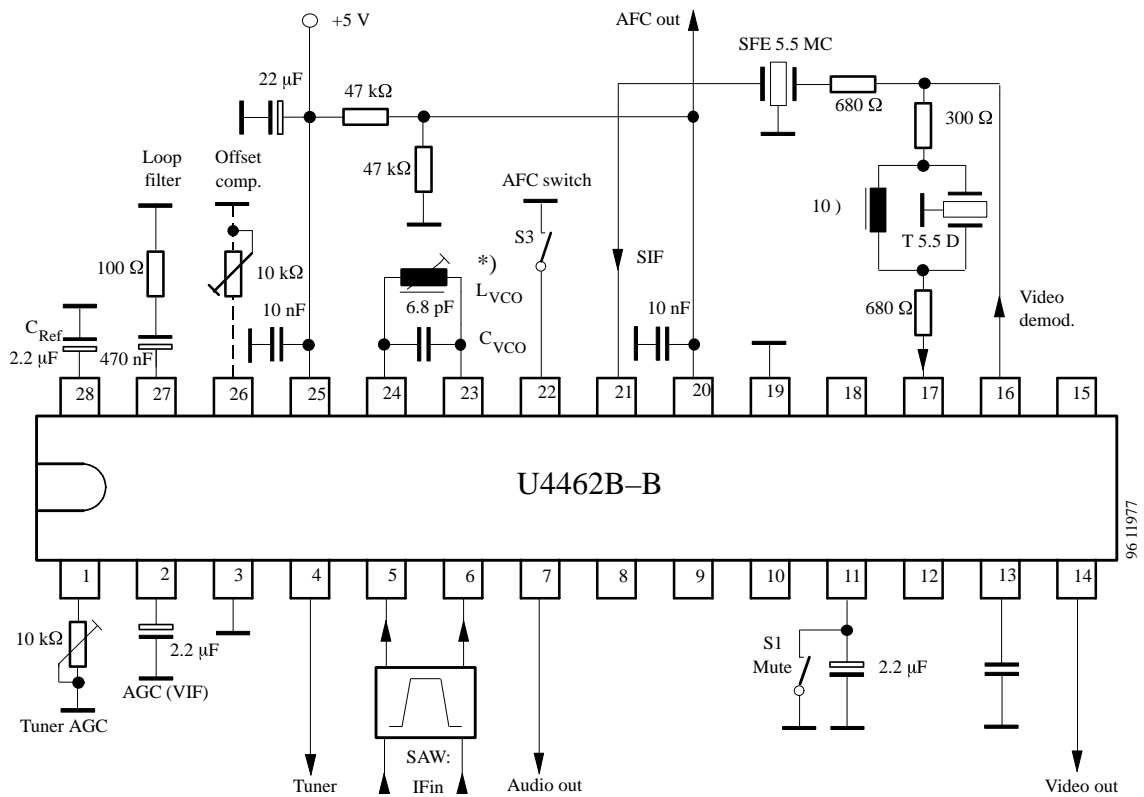


Figure 4. Basic application circuit

## Internal Pin Configuration

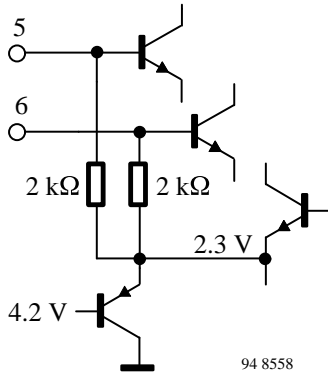


Figure 5. Video IF input (Pins 5 and 6)

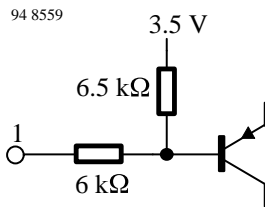


Figure 6. Take-over point - tuner AGC (Pin 1)

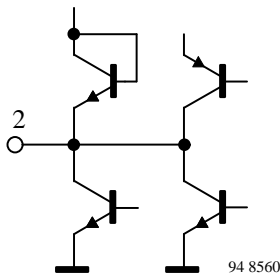


Figure 7. Time constant - VIF AGC (Pin 2)

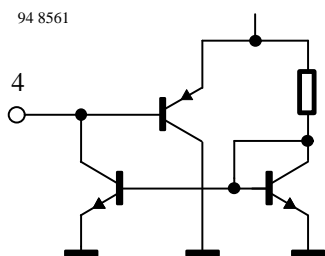


Figure 8. Tuner AGC current output (Pin 4)

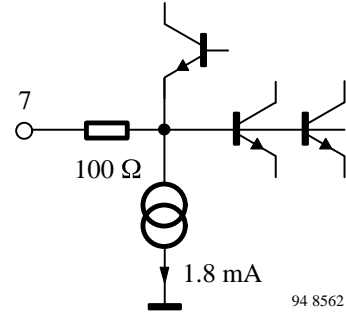


Figure 9. Audio output - SCART (Pin 7)

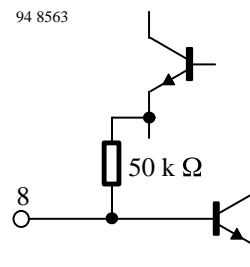


Figure 10. Audio input - SCART (Pin 8)

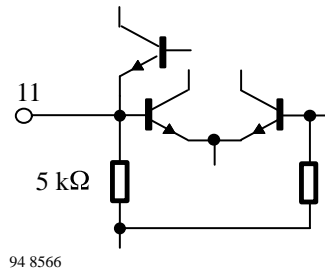


Figure 11. Decoupling capacitor (Pin 11) and mute switch

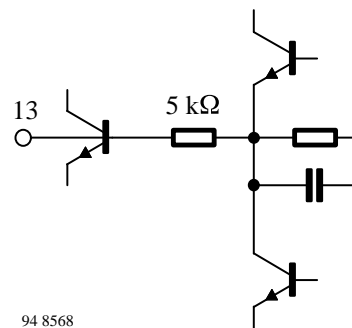


Figure 12. De-emphasis (Pin 13)

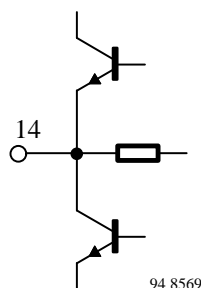


Figure 13. Video output (6 dB amplifier) (Pin 14)

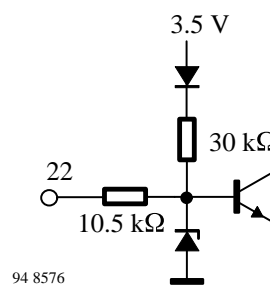


Figure 18. AFC control switch (Pin 22)

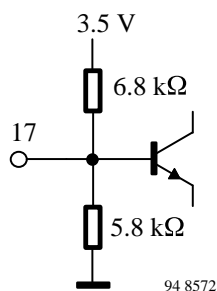


Figure 14. Video input (6 dB amplifier) (Pin 17)

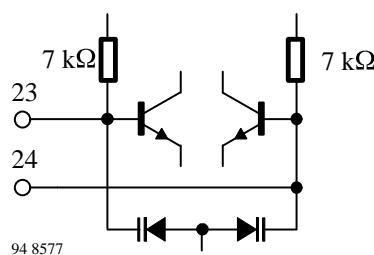


Figure 19. VCO circuit (Pin 23-24)

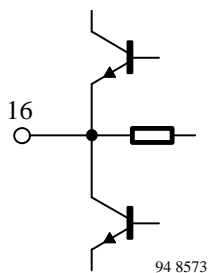


Figure 15. Video demodulator output (Pin 16)

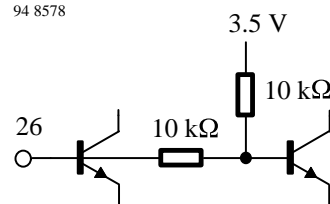


Figure 20. Offset compensation (Pin 26)

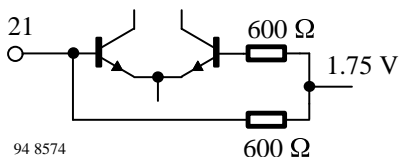


Figure 16. FM sound IF input (Pin 21)

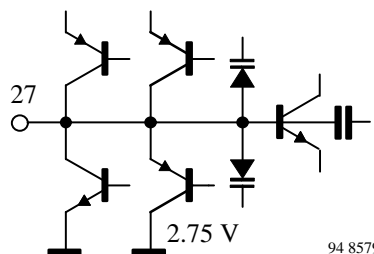


Figure 21. Loop filter (Pin 27)

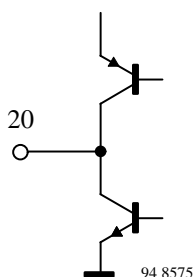


Figure 17. AFC output (Pin 20)

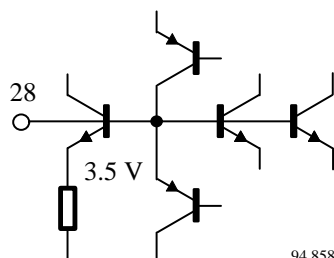
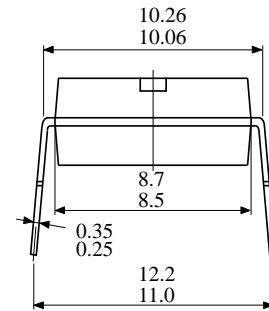
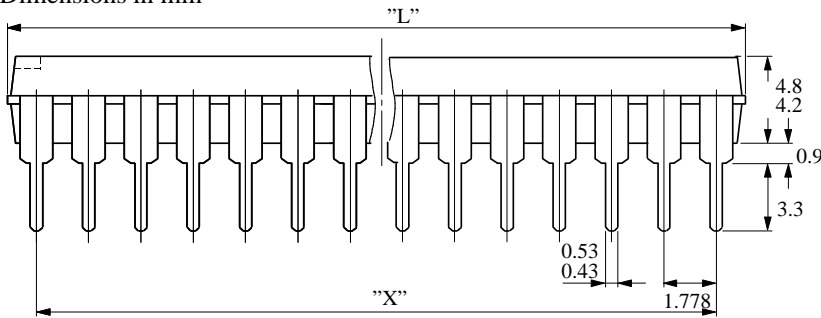


Figure 22. Internal reference voltage (Pin 28)

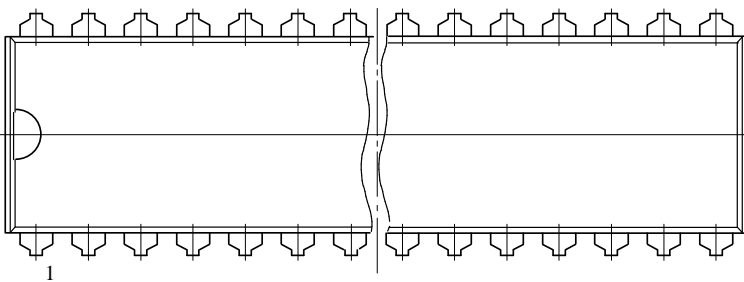
## Package Information

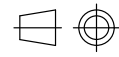
### Package SDIP28-30

Dimensions in mm



Package	"L"		"X"
	min	max	
SDIP28	27.1	27.5	23.114
SDIP30	27.1	27.5	24.892

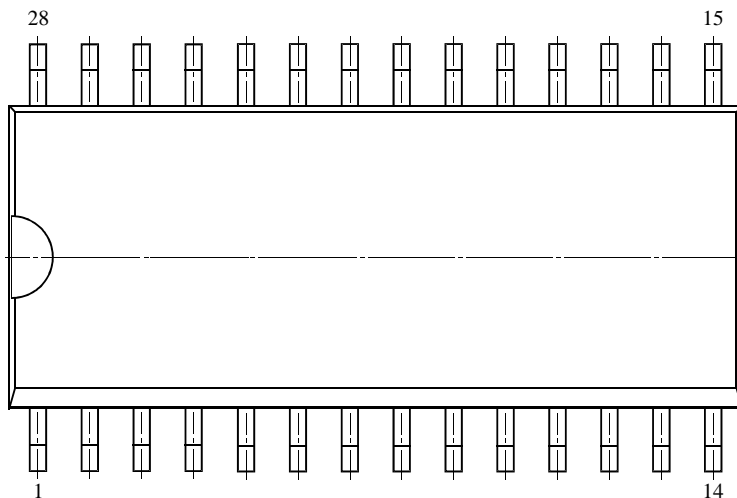
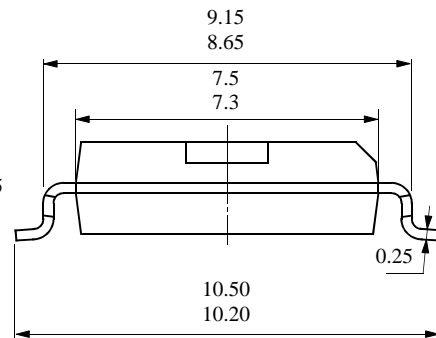
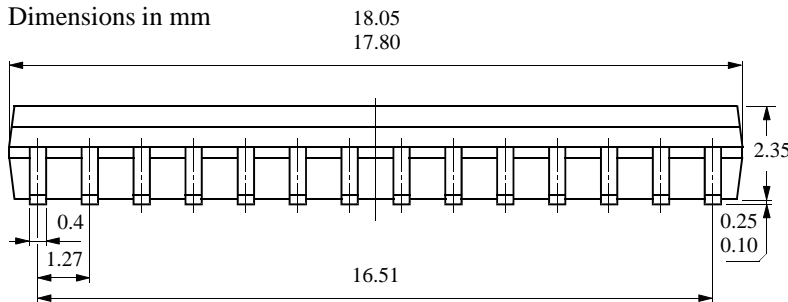


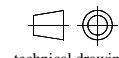
 technical drawings according to DIN specifications

13028

### Package SO28

Dimensions in mm



 technical drawings according to DIN specifications

13033

## **Ozone Depleting Substances Policy Statement**

It is the policy of **TEMIC TELEFUNKEN microelectronic GmbH** to

1. Meet all present and future national and international statutory requirements.
2. Regularly and continuously improve the performance of our products, processes, distribution and operating systems with respect to their impact on the health and safety of our employees and the public, as well as their impact on the environment.

It is particular concern to control or eliminate releases of those substances into the atmosphere which are known as ozone depleting substances (ODSs).

The Montreal Protocol (1987) and its London Amendments (1990) intend to severely restrict the use of ODSs and forbid their use within the next ten years. Various national and international initiatives are pressing for an earlier ban on these substances.

**TEMIC TELEFUNKEN microelectronic GmbH** semiconductor division has been able to use its policy of continuous improvements to eliminate the use of ODSs listed in the following documents.

1. Annex A, B and list of transitional substances of the Montreal Protocol and the London Amendments respectively
2. Class I and II ozone depleting substances in the Clean Air Act Amendments of 1990 by the Environmental Protection Agency (EPA) in the USA
3. Council Decision 88/540/EEC and 91/690/EEC Annex A, B and C (transitional substances) respectively.

**TEMIC** can certify that our semiconductors are not manufactured with ozone depleting substances and do not contain such substances.

**We reserve the right to make changes to improve technical design and may do so without further notice.**

Parameters can vary in different applications. All operating parameters must be validated for each customer application by the customer. Should the buyer use TEMIC products for any unintended or unauthorized application, the buyer shall indemnify TEMIC against all claims, costs, damages, and expenses, arising out of, directly or indirectly, any claim of personal damage, injury or death associated with such unintended or unauthorized use.

TEMIC TELEFUNKEN microelectronic GmbH, P.O.B. 3535, D-74025 Heilbronn, Germany  
Telephone: 49 (0)7131 67 2831, Fax number: 49 (0)7131 67 2423