

## AM / FM - PLL

### Description

The U4285BM is an integrated circuit in BICMOS technology for frequency synthesizers. It performs all the functions of a PLL radio tuning system and is controlled

by an I<sup>2</sup>C bus. The device is designed for all frequency synthesizer applications in radio receivers, as well as RDS ( **R**adio **D**ata **S**ystem ) applications.

### Features

- Reference oscillator up to 15 MHz
- Two programmable 16 bit dividers adjustable from 2 to 65535
- Fine tuning steps:  
     AM  $\geq$  1 kHz  
     FM  $\geq$  2 kHz
- 4 programmable switching outputs (open drain up to 15 V)
- Few external component required due to integrated loop-push-pull stage for AM/FM
- High signal/ noise ratio

### Block Diagram

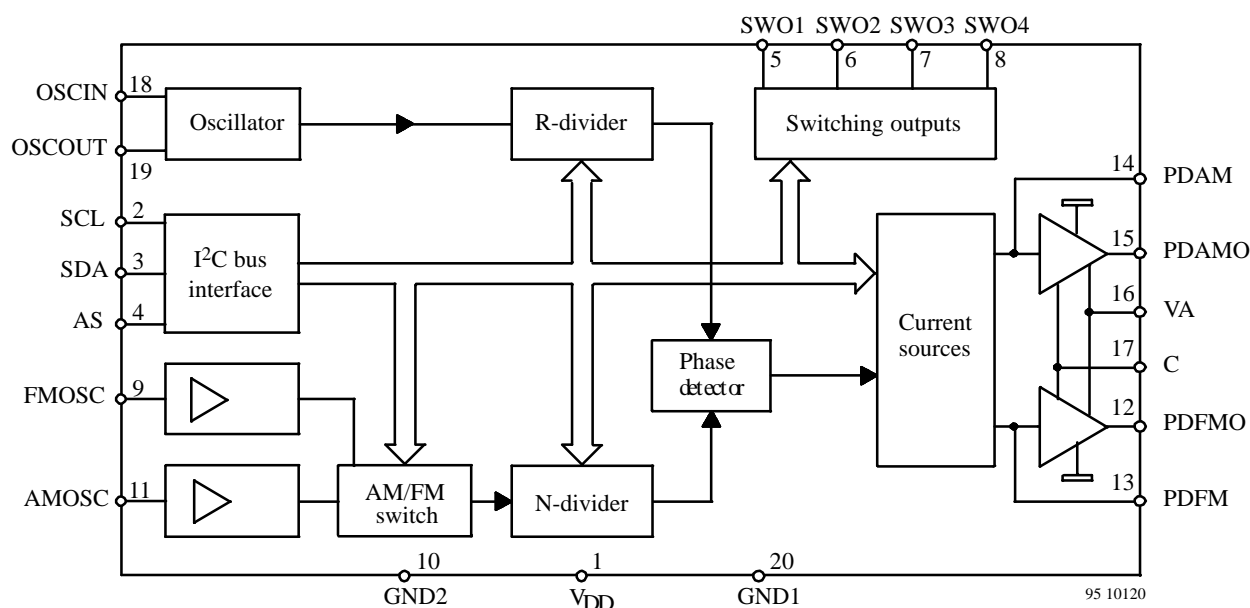
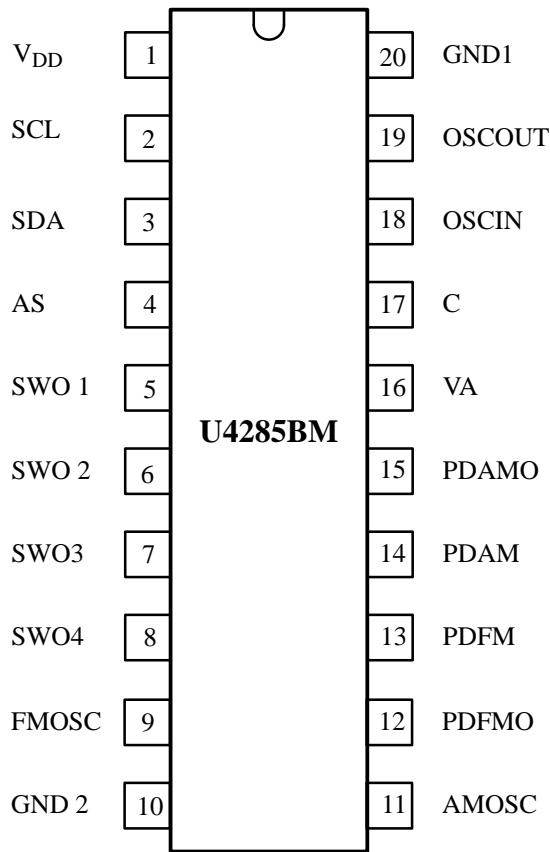


Figure 1.

## Pin Description



Pin	Symbol	Function
1	V <sub>DD</sub>	Supply voltage
2	SCL	I <sup>2</sup> C bus clock
3	SDA	I <sup>2</sup> C bus data
4	AS	Address selection
5	SWO 1	Switching output 1
6	SWO 2	Switching output 2
7	SWO3	Switching output 3
8	SWO4	Switching output 4
9	FMOSC	FM oscillator input
10	GND 2	Ground 2 (analog)
11	AMOSC	AM oscillator input
12	PDFMO	FM analogue output
13	PDFM	FM current output
14	PDAM	AM current output
15	PDAMO	AM analogue output
16	VA	Analogue supply voltage
17	C	Capacitor
18	OSCIN	Oscillator input
19	OSCOUT	Oscillator output
20	GND1	Ground 1 (digital)

95 10121

## Functional Description

The U4285BM is controlled via the 2-wire I<sup>2</sup>C bus. For programming there are one module address byte, two sub-address bytes and five data bytes.

The module address contains a programmable address bit A 1 which with address select input AS (Pin 4) makes it possible to operate two U4285BM in one system. If bit A 1 is identical with the status of the address select input AS, the chip is selected .

The subaddress determines which one of the data bytes is transmitted first. If subaddress of R-divider is transmitted, the sequence of the next data bytes is DB 0 (Status), DB 1 and DB 2.

If subaddress of N-divider is transmitted, the sequence of the next data bytes is DB 3 and DB 4. The bit organisation

of the module address, subaddress and 5 data bytes are shown in figure 2.

Each transmission on the I<sup>2</sup>C bus begins with the "START"- condition and has to be ended by the "STOP"-condition (see figure 3).

The integrated circuit U4285BM has two separate inputs for AM and FM oscillator. Pre-amplified AM and FM signals are fed to the 16 bit N-divider via AM/FM switch. AM/FM switch is controlled by software. Tuning steps can be selected by 16 bit R-divider. Further there is a digital memory phase detector. There are two separate current sources for AM and FM amplifier (charge pump) as given in electrical characteristics. It allows independent adjustment of gain, whereby providing high current for high speed tuning and low current for stable tuning.

**Bit Organization**

	MSB							LSB
Module address	1	1	0	0	1	0	0/1	0
	A7	A6	A5	A4	A3	A2	A1	A0

Subaddress (R-divider)	X	X	X	0	0	1	X	X
------------------------	---	---	---	---	---	---	---	---

Subaddress (N-divider)	X	X	X	X	1	1	X	X
------------------------	---	---	---	---	---	---	---	---

	MSB							LSB
Data byte 0 (Status)	SWO1	SWO2	SWO3	SWO4	AM/ FM	PD ANA	PD POL	PD CUR
	D7	D6	D5	D4	D3	D2	D1	D0

Data byte 1	$2^{15}$	R-divider						$2^8$
-------------	----------	-----------	--	--	--	--	--	-------

Data byte 2	$2^7$	R-divider						$2^0$
-------------	-------	-----------	--	--	--	--	--	-------

Data byte 3	$2^{15}$	N-divider						$2^8$
-------------	----------	-----------	--	--	--	--	--	-------

Data byte 4	$2^7$	N-divider						$2^0$
-------------	-------	-----------	--	--	--	--	--	-------

	LOW	HIGH
AM/FM	FM-operation	AM-operation
PD – ANA	PD analog	TEST
PD – POL	Negative polarity	Positive polarity
PD – CUR	Output current 2	Output current 1

Figure 2.

## Transmission Protocol

	MSB	LSB									
S	Address		A	Subaddress	A	Data 0	A	Data 1	A	Data 2	A P
	A7	A0		R-divider							

	MSB	LSB								
S	Address		A	Subaddress	A	Data 3	A	Data 4	A	P
	A7	A0		N-divider				A		

S = Start    P = Stop    A = Acknowledge

Figure 3.

## Absolute Maximum Ratings

Parameters	Symbol	Value	Unit
Supply voltage                      Pin 1	$V_{DD}$	-0.3 to +6	V
Input voltage                      Pins 2, 3, 4, 9, 11, 18 and 19	$V_I$	-0.3 to $V_{DD} + 0.3$	V
Output current                      Pins 3, 5, 6, 7 and 8	$I_O$	-1 to +5	mA
Output drain voltage              Pins 5, 6, 7 and 8	$V_{OD}$	15	V
Analogue supply voltage              Pin 16 with 220 $\Omega$ seriell resistance 2 minutes <sup>1</sup>	$V_A$	6 to 15	V
	$V_A$	24	V
Output current                      Pins 12 and 15	$I_{AO}$	-1 to +20	mA
Ambient temperature range	$T_{amb}$	-30 to +85	$^{\circ}C$
Storage temperature range	$T_{stg}$	-40 to +125	$^{\circ}C$
Junction temperature	$T_j$	125	$^{\circ}C$
Electrostatic handling (modified MIL STD 883 D method 3015.7: all supply pins connected together)	$\pm V_{ESD}$	1000	V

<sup>1</sup>      corresponding our application circuit (page 7)

## Thermal Resistance

Parameters	Symbol	Value	Unit
Junction ambient	$R_{thJA}$	160	K/W

## Electrical Characteristics

$V_{DD} = 5\text{ V}$ ,  $V_A = 10\text{ V}$ ,  $T_{amb} = 25^\circ\text{C}$ , unless otherwise specified

Parameters	Test conditions / Pin	Symbol	Min.	Typ.	Max.	Unit
Supply voltage	Pin 1	$V_{DD}$	4.5	5.0	5.5	V
Quiescent supply current	AM-mode FM-mode	Pin 1 $I_{DD}$		4.0 4.0	7.0 7.0	mA
<b>FM input sensitivity, <math>R_G = 50\ \Omega</math> FMOSC</b>						
$f_i = 70$ to $120\text{ MHz}$	Pin 9	$V_{SFM}$	40			mV <sub>rms</sub>
$f_i = 160\text{ MHz}$	Pin 9	$V_{SFM}$	150			mV <sub>rms</sub>
<b>AM input sensitivity, <math>R_G = 50\ \Omega</math> AMOSC</b>						
$f_i = 0.6$ to $35\text{ MHz}$	Pin 11	$V_{SAM}$	40			mV <sub>rms</sub>
<b>Oscillator input sensitivity, <math>R_G = 50\ \Omega</math> OSCIN</b>						
$f_i = 0.1$ to $15\text{ MHz}$	Pin 18	$V_{SOSC}$	100			mV <sub>rms</sub>
<b>Switching output SWO 1, SWO 2, SWO 3, SWO 4 (open drain)</b>						
Output voltage LOW	Pins 5, 6, 7 and 8 $I_L = 1\text{ mA}$	$V_{SWOL}$		100	400	mV
Output leakage current HIGH	Pins 5, 6, 7 and 8 $V_5, V_6, V_7, V_8 = 10\text{ V}$	$I_{OHL}$			100	nA
<b>Phase detector PDFM</b>						
Output current 1	Pin 13	$\pm I_{PDFM}$	1600	2000	2400	$\mu\text{A}$
Output current 2	Pin 13	$\pm I_{PDFM}$	400	500	600	$\mu\text{A}$
Leakage current	Pin 13	$\pm I_{PDFML}$			20	nA
<b>Phase detector PDAM</b>						
Output current 1	Pin 14	$\pm I_{PDAM}$	160	200	240	$\mu\text{A}$
Output current 2	Pin 14	$\pm I_{PDAM}$	40	50	60	$\mu\text{A}$
Leakage current	Pin 14	$\pm I_{PDAM-L}$			20	nA
<b>Analogue output PDFMO, PDAMO</b>						
Saturation voltage LOW HIGH	Pins 12 and 15 $I = 15\text{ mA}$	$V_{satL}$ $V_{satH}$	9.5	200 9.95	400	mV V
<b>I<sup>2</sup>C bus SCL, SDA, AS</b>						
Input voltage HIGH LOW	Pins 2, 3 and 4	$V_{iBUS}$	3.0 0		$V_{DD}$ 1.5	V V
Output voltage Acknowledge LOW	Pin 3 $I_{SDA} = 3\text{ mA}$	$V_O$			0.4	V
Clock frequency	Pin 2	$f_{SCL}$			100	kHz
Rise time SDA, SCL	Pins 2 and 3	$t_r$			1	$\mu\text{s}$
Fall time SDA, SCL	Pins 2 and 3	$t_f$			300	ns
Period of SCL HIGH LOW	Pin 2 HIGH LOW	$t_H$ $t_L$	4.0 4.7			$\mu\text{s}$ $\mu\text{s}$

Parameters	Test conditions / Pin	Symbol	Min.	Typ.	Max.	Unit
<b>Setup time</b>						
Start condition		$t_{sSTA}$	4.7			$\mu s$
Data		$t_{sDAT}$	250			ns
Stop condition		$t_{sSTOP}$	4.7			$\mu s$
Time space <sup>1)</sup>		$t_{wSTA}$	4.7			$\mu s$
<b>Hold time</b>						
Start condition		$t_{hSTA}$	4.0			$\mu s$
DATA		$t_{hDAT}$	0			$\mu s$

1) This is a space of time where the bus must be free from data transmission and before a new transmission can be started

## Bus Timing

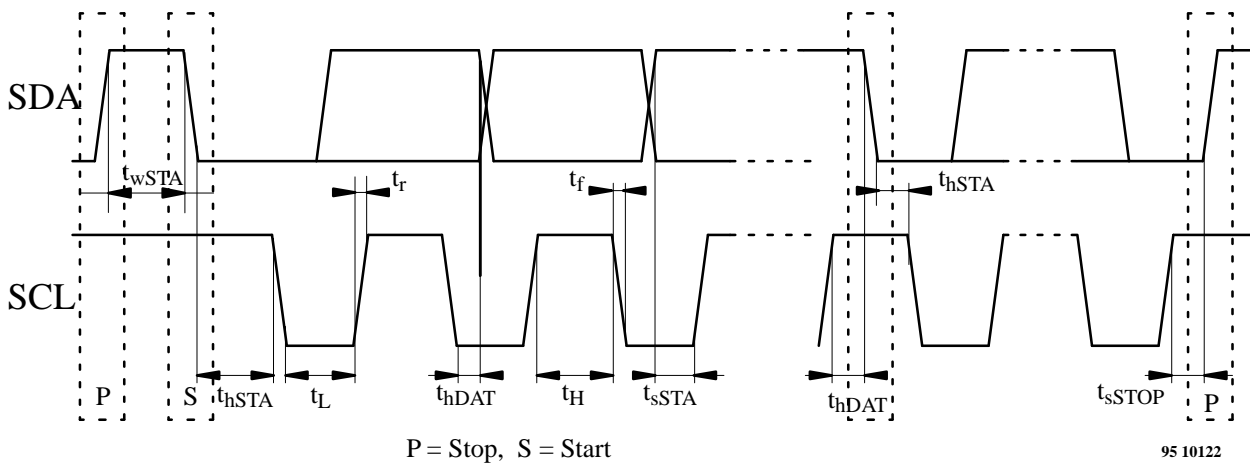
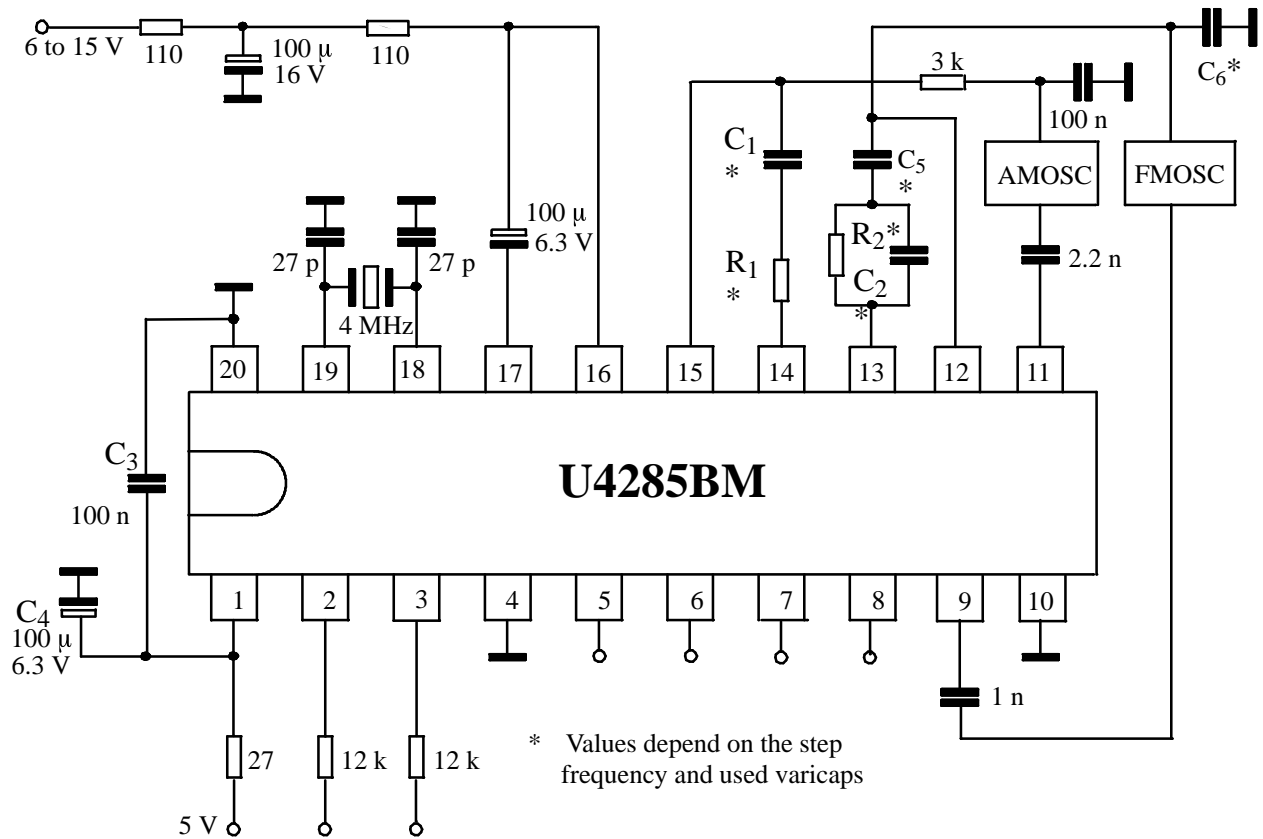


Figure 4.

## Recommendations for Applications

- $C_3 = 100 \text{ nF}$  should be very close to Pin 1 ( $V_{DD}$ ) and Pin 20 (GND 1)
- GND 2 (Pin 10 – analogue ground) and GND 1 (Pin 20 – digital ground) must be connected according to figure 6
- 4 MHz quartz must be very close to Pin 18 and Pin 19
- Components of the charge pump ( $C_1/R_1$  for AM and  $C_2/R_2$  for FM) should be very close to Pin 14 with respect to Pin 13.

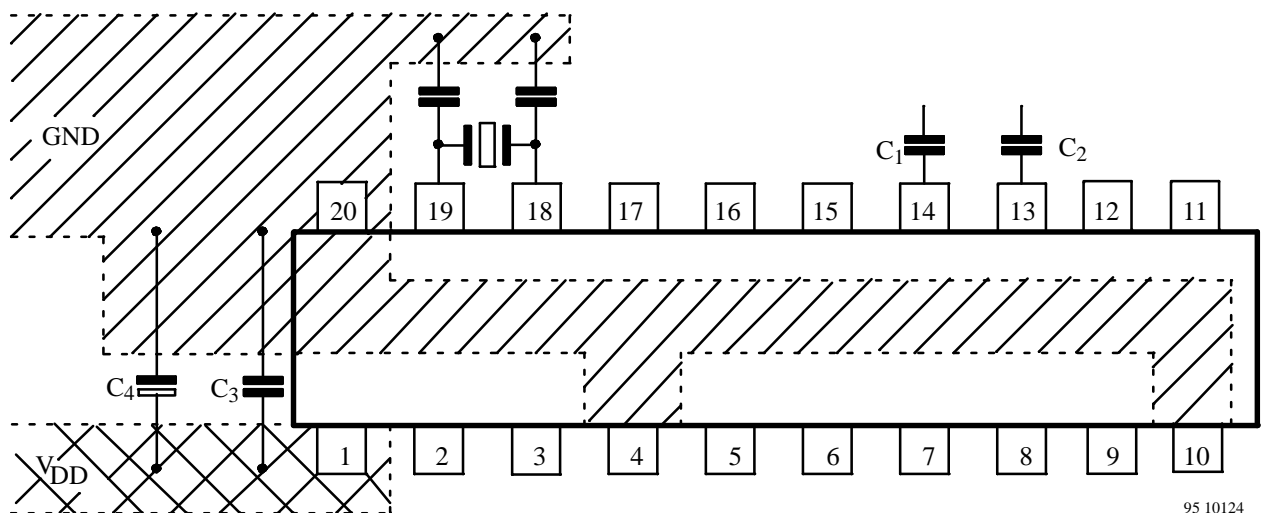
**Application Circuit**



95 10123

Figure 5.

**PCB-Layout**



95 10124

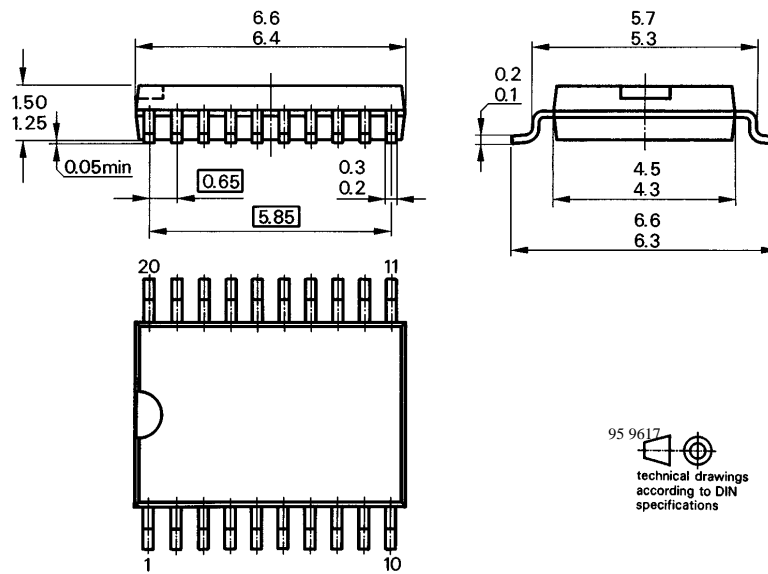
Figure 6.

## Ordering and Package Information

Extended Type Number	Package	Remarks
U4285BM-AFS	SSO20 plastic	
U4285BM-AFSG3	SSO20 plastic	Taping according to IEC-286-3

## Dimensions in mm

Package: SSO20



95 9617   
 technical drawings  
 according to DIN  
 specifications



## Ozone Depleting Substances Policy Statement

It is the policy of **TEMIC TELEFUNKEN microelectronic GmbH** to

1. Meet all present and future national and international statutory requirements.
2. Regularly and continuously improve the performance of our products, processes, distribution and operating systems with respect to their impact on the health and safety of our employees and the public, as well as their impact on the environment.

It is particular concern to control or eliminate releases of those substances into the atmosphere which are known as ozone depleting substances (ODSs).

The Montreal Protocol (1987) and its London Amendments (1990) intend to severely restrict the use of ODSs and forbid their use within the next ten years. Various national and international initiatives are pressing for an earlier ban on these substances.

**TEMIC TELEFUNKEN microelectronic GmbH** semiconductor division has been able to use its policy of continuous improvements to eliminate the use of ODSs listed in the following documents.

1. Annex A, B and list of transitional substances of the Montreal Protocol and the London Amendments respectively
2. Class I and II ozone depleting substances in the Clean Air Act Amendments of 1990 by the Environmental Protection Agency (EPA) in the USA
3. Council Decision 88/540/EEC and 91/690/EEC Annex A, B and C (transitional substances) respectively.

**TEMIC** can certify that our semiconductors are not manufactured with ozone depleting substances and do not contain such substances.

**We reserve the right to make changes to improve technical design and may do so without further notice.**

Parameters can vary in different applications. All operating parameters must be validated for each customer application by the customer. Should the buyer use TEMIC products for any unintended or unauthorized application, the buyer shall indemnify TEMIC against all claims, costs, damages, and expenses, arising out of, directly or indirectly, any claim of personal damage, injury or death associated with such unintended or unauthorized use.

TEMIC TELEFUNKEN microelectronic GmbH, P.O.B. 3535, D-74025 Heilbronn, Germany  
Telephone: 49 (0)7131 67 2831, Fax number: 49 (0)7131 67 2423