

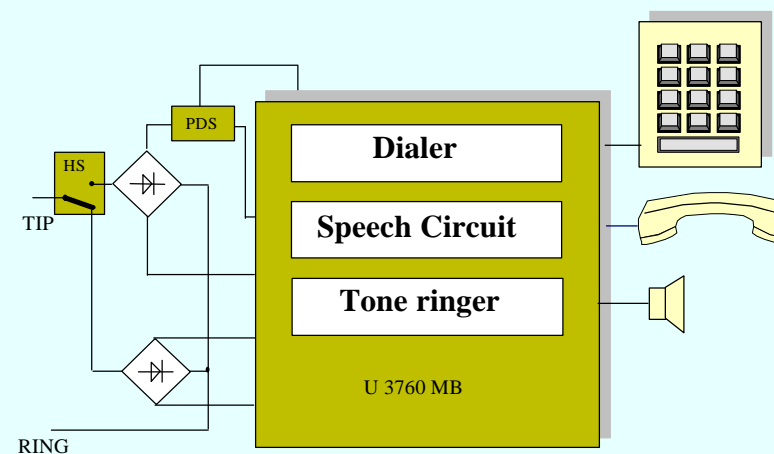
Low voltage standard telephone circuit U3760MB

Application:

Standard phones

Customer Benefits:

- o Low number of external components
- o Saving of space
- o Low production cost
 - o High quality through one IC solution



Low voltage standard telephone circuit U 3760 MB

Highlights:

- o **Speech Circuit**

Adjustable dc slope characteristic

Symmetrical input of microphone amplifier

Stabilized power supply for peripherals

Receiving amplifier for dynamic or piezo ear pieces

Automatic line loss compensation

Low voltage standard telephone circuit U3760 MB

o Dialer

DTMF / Pulse switchable

Pulse dialing 66 / 33 or 60 / 40 or DTMF dialing

selectable by pin

Last number redial up to 32 digits

Selectable flashing duration by key pad

Pause function

TV crystal 3.58 MHz or ceramic resonator

Low voltage standard telephone circuit U3760MB

- o Tone ringer**

Two tone ringer with adjustable volume and threshold

RC oscillator

Case: SDIP 40 or SSO44

Availability: Samples

Data sheet

Demo board

High volume production