

Dual-Channel FM Sound Demodulator for TV Systems

Description

The U2860B is a dual-channel FM sound demodulator realized with TEMIC's advanced bipolar process. All TV FM standards, from 4.5 up to 6.5 MHz (standard M, B/G, I, D/K) can be processed with high performance. The

circuit is alignment-free and has a minimum number of external components. With 5 V supply voltage, the U2860B is suitable for TV, VCR and multimedia applications.

Features

- Two alignment-free PLL FM demodulators, automatic lock in on the received sound carrier frequency
- Mono and dual channel application
- Sound IF inputs provided for ceramic filters
- Automatic mute for 2nd sound channel (squelch)
- Mute function for both sound channels
- 5 V supply voltage, low power consumption
- Few external components

Package: DIP14, SO14

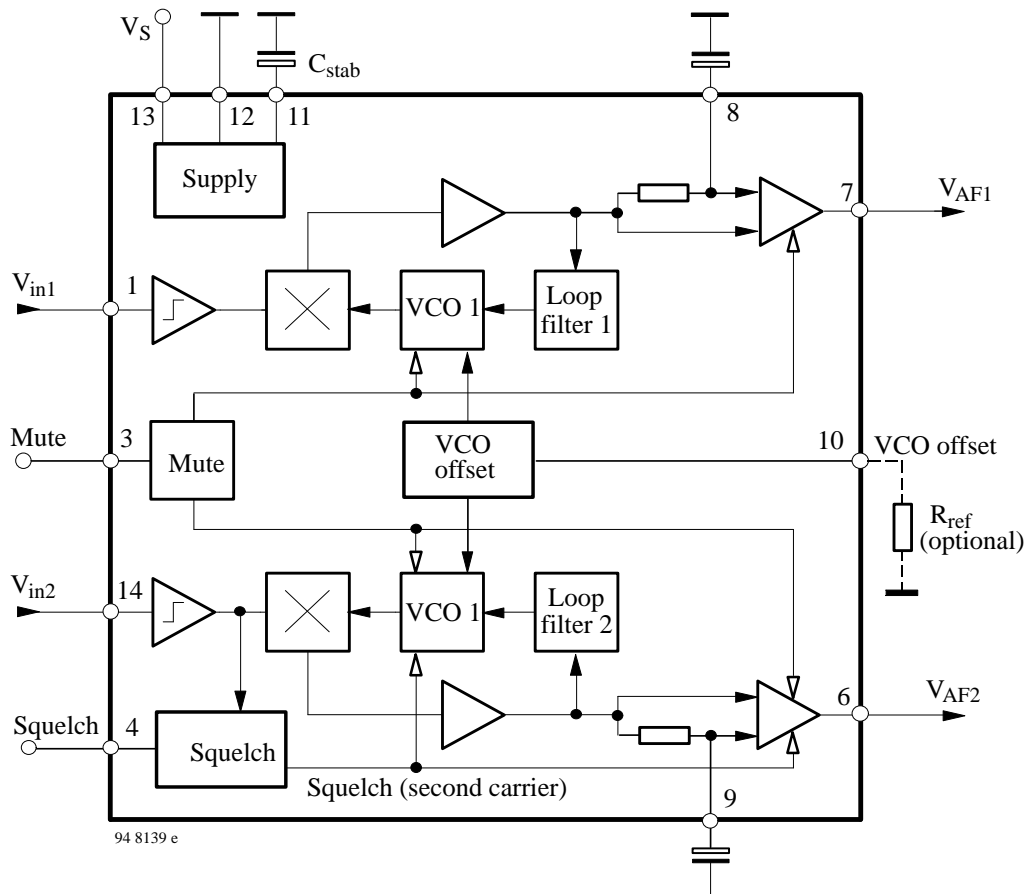


Figure 1. Block diagram

Circuit Description

The U2860B includes two identical sound IF channels. Each consists of a limiter amplifier, PLL FM demodulator and AF amplifier. Additionally, this circuit contains a squelch function, mute switch and internal voltage regulation.

Limiter Amplifiers

The intercarrier signals are fed through external ceramic bandpass filters to a 7-stage limiter amplifier. This guarantees high input sensitivity and excellent AM suppression.

PLL FM Demodulators

The alignment-free "Phase Locked Loop" (PLL) demodulator covers a wide frequency range of 4.5 MHz up to 6.5 MHz with low noise performance. The linear voltage to frequency characteristic results in low harmonic distortion. The free-running frequency of the internal VCO circuit is about 5.5 MHz. For this frequency, the input sensitivity and VCO locking is optimal. An additional external resistor at Pin 10 allows a frequency shift of ± 1 MHz via an internal offset current. With this option, it is possible to shift the optimum conditions to the upper frequency (6.5 MHz) or to the lower frequency (4.5 MHz). The offset current acts simultaneously on both VCO circuits. If no resistor is connected, the offset current is disabled.

Ordering Information

Extended Type Number	Package	Remarks
U2860B-B	DIP14	
U2860B-BFP	SO14	taped

Audio Amplifiers

The demodulated signals are amplified to 500 mVrms with low output impedance at the audio outputs (Pin 6 and Pin 7). AC decoupling at Pin 8 and Pin 9 of the audio amplifiers leads to high common mode rejection.

Squelch Function

For channel 2 the audio output amplifier and VCO2 is muted automatically (squelch) when the second sound carrier is not present. This avoids a wrong identification for stereo and dual sound in the stereo decoder. Therefore, with mono sound, there is no output signal at Pin 6. The automatic squelch function can be disabled by switching Pin 4 to ground.

Mute Switch

Simultaneously muting of both circuits is possible by switching Pin 3 to ground.

Internal Voltage Stabilizer

The internal bandgap reference ensures constant performance independent of supply voltage and temperature.

Pin Description

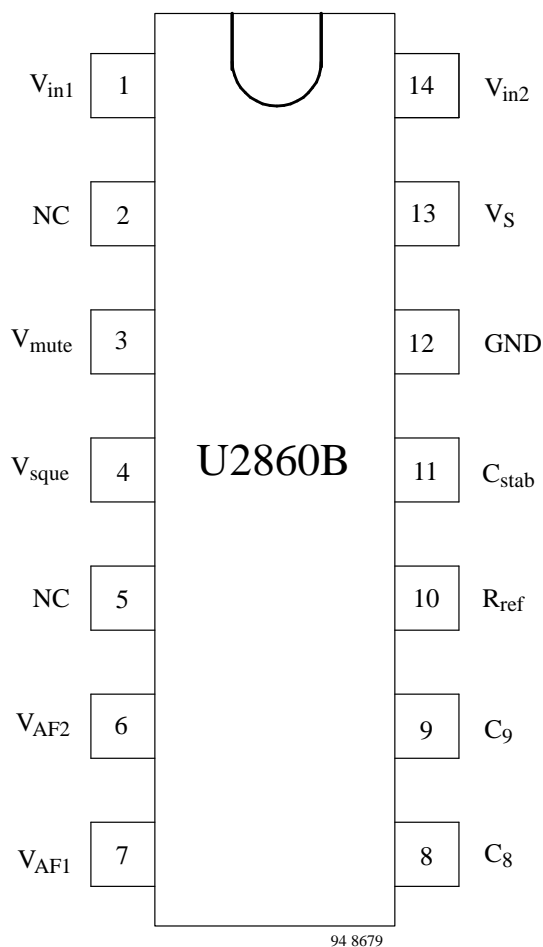


Figure 2. Connection diagram

Pin	Symbol	Function
1	V_{in1}	Intercarrier input of sound channel 1 (5.5 MHz)
2	NC	Not connected
3	V_{mute}	Mute for sound channel 1+2 "on/off"
4	V_{sque}	Automatic mute for 2nd sound channel (squelch) "on/off"
5	NC	Not connected
6	V_{AF2}	Audio output AF2 of sound channel 2
7	V_{AF1}	Audio output AF1 of sound channel 1
8	C_8	Decoupling capacitor for sound channel 1
9	C_9	Decoupling capacitor for sound channel 2
10	R_{ref}	VCO offset of the free-running frequency
11	C_{stab}	Internal supply voltage stabilization
12	GND	Ground
13	V_S	Supply voltage
14	V_{in2}	Intercarrier input of sound channel 2 (5.74 MHz)

Maximum Ratings

Reference point Pin 12, unless otherwise specified

Parameters	Symbol	Value	Unit
Supply voltage Pin 13	V_S	9.0	V
Supply current Pin 13	I_S	33	mA
Power dissipation $V_S = +9\text{ V}$	P	300	mW
Output currents Pin 6, 7	I_{out}	± 1.5	mA
External voltages	Pin 1, 14	V_{ext}	2.0
	Pin 3, 4	V_{ext}	V_S
	Pin 6, 7, 8, 9, 10, 11	V_{ext}	4.5 V
Junction temperature	T_j	+125	$^{\circ}\text{C}$
Storage temperature	T_{stg}	-25 to +125	$^{\circ}\text{C}$
Electrostatic handling *) all pins	V_{ESD}	± 200	V

*) Machine model in accordance with ESD S5.2 standard

Operating Range

Parameters	Symbol	Value	Unit
Supply voltage range Pin 13	V_S	4.5 to 9.0	V
Ambient temperature	T_{amb}	0 to +85	°C

Thermal Resistance

Parameters	Symbol	Value	Unit
Junction ambient when soldered to PCB	R_{thJA}	90	K/W

Electrical Characteristics

$V_S = 5\text{ V}$, $T_{amb} = 25^\circ\text{C}$, reference point Pin 12, unless otherwise specified

Parameters	Test Conditions / Pins	Symbol	Min.	Typ.	Max.	Unit
DC-supply Pin 13						
Supply voltage range		V_S	4.5	5.0	9.0	V
Supply current		I_S		27	33	mA
Intercarrier input 1 Pin 1						
DC input voltage		V_{DC}		1.75		V
Input resistance	See note 1	R_{in}		680	750	Ω
Input limiting voltage	Input signal v_{in} : $f = 5.5\text{ MHz}$ output signal AF1: $v_{AF1} \Rightarrow -3\text{ dB}$	v_{lim}			150	μV
Intercarrier input 2 Pin 14						
DC input voltage		V_{DC}		1.75		V
Input resistance	See note 1	R_{in}		680	750	Ω
Input limiting voltage	Input signal v_{in} : $f = 5.74\text{ MHz}$ output signal AF2: $v_{AF2} \Rightarrow -3\text{ dB}$	v_{lim}			150	μV
Input signal for automatic second sound carrier "mute off" (squelch)	Audio output AF2 active	v_{in}	> 0.7	1.0	< 1.5	mV
FM demodulators, internal VCO's Pin 10						
Free-running frequency		f_{VCO}		5.5		MHz
Oscillator drift (free-running) as function of temperature	$\Delta T = 55^\circ\text{C}$	Δf_{VCO}		500		kHz
Oscillator shift (free-running) as function of supply voltage	$4.5\text{ V} < V_S < 5.5\text{ V}$	Δf_{VCO}		200		kHz
Adjustment range of free-running frequencies	By external resistor R_{ref} at Pin 10	Δf_{adj}	± 1			MHz
Adjustment resistance for free-running frequencies		R_{ref}	15	22	30	k Ω

Parameters	Test Conditions / Pins	Symbol	Min.	Typ.	Max.	Unit
FM demodulators, internal VCO's Pin 10						
Steepness of free-running frequency adjustment	Resistor R_{ref} at Pin 10	S		200		kHz/k Ω
Capture range of PLL's		Δf_{cap}	± 1.4	± 1.9		MHz
Holding range of PLL's		Δf_{hold}	± 2.0	± 3.0		MHz
Audio outputs, AF1 (Pin 7) and AF2 (Pin 6)						
DC output voltage		V_{DC}		2.2		V
DC output current		I_{DC}		1.0	-1.3	mA
Output resistance	See note 1	R_{out}		150		Ω
AC output peak current		i_{AC}			± 1.0	mA
AF output voltage, RMS value	$v_{in} = 10$ mV, $f = 5.5$ MHz, FM-dev. = 27 kHz, $f_{mod} = 1$ kHz	v_{AF}		500		mV
Difference between the output signals		Δv_{AF}			± 1	dB
Total harmonic distortion	$v_{in} = 10$ mV, $f = 5.5$ MHz, FM-dev. = 27 kHz, $f_{mod} = 1$ kHz	THD		0.1	0.5	%
AM suppression	$v_{in} = 10$ mV, $f = 5.5$ MHz, $f_{mod} = 1$ kHz, reference signal: FM-dev. = 50 kHz test signal: m = 30%	α_{AM}	46	66		dB
Crosstalk attenuation between the AF outputs	$f = 50$ Hz to 12.5 kHz	α_{att}		70		dB
Supply voltage ripple rejection	$V_{RR} < 200$ mV, $f = 70$ Hz	RR		24		dB
Mute switch Pin 3						
Control voltage - muteoff - mute on	AF outputs active AF outputs not active	V_{mute}	2.0 0		V_S 0.8	V V
Control current		I_{mute}		150		μA
Squelch function Pin 4						
Control voltage for automatic mute-2nd carrier "off"		V_{sque}	0		0.8	V
automatic mute-2nd carrier "on"			2.0		V_S	V
Control current		I_{sque}		150		μA

Notes

1.) This parameter is given as an application information and not measured during final testing.

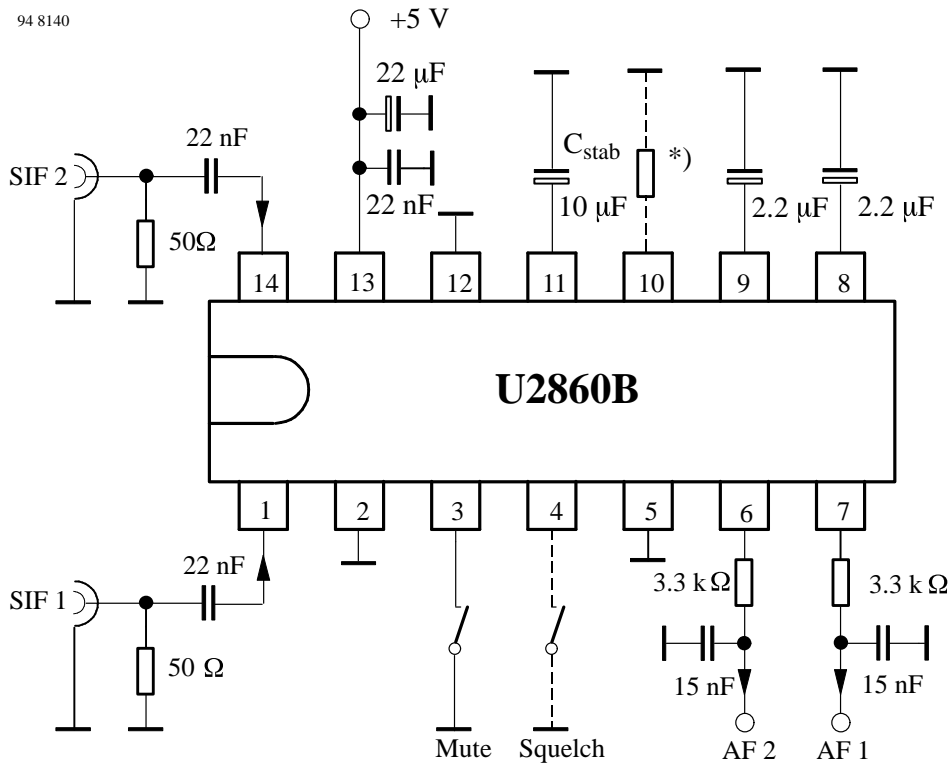


Figure 3. Test circuit

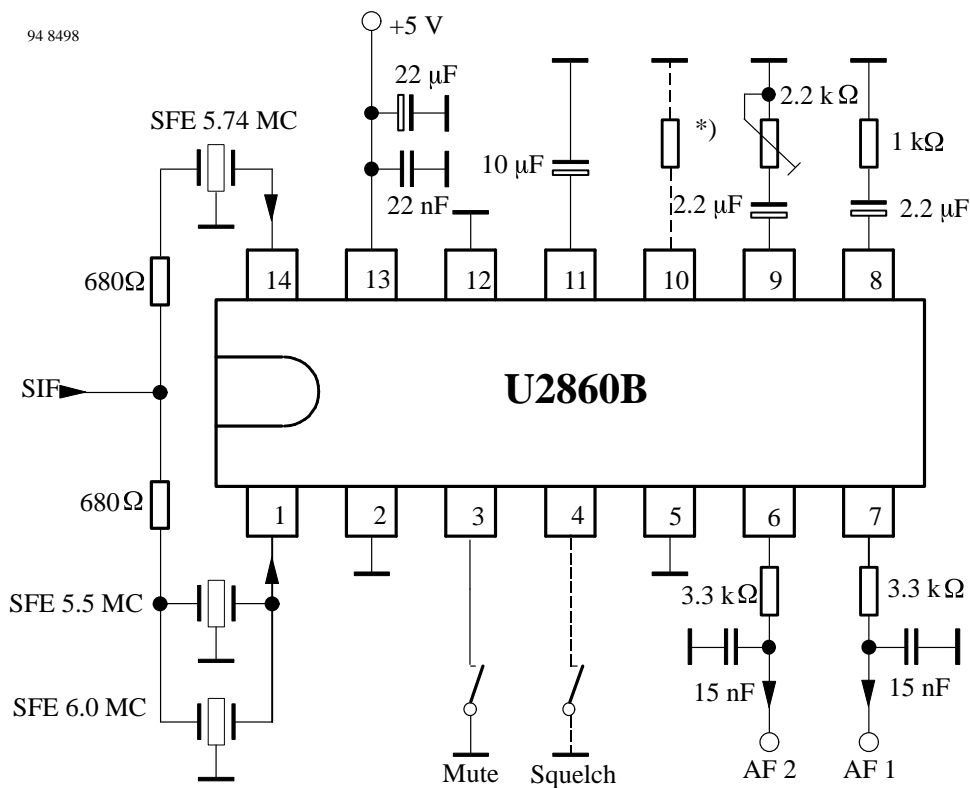
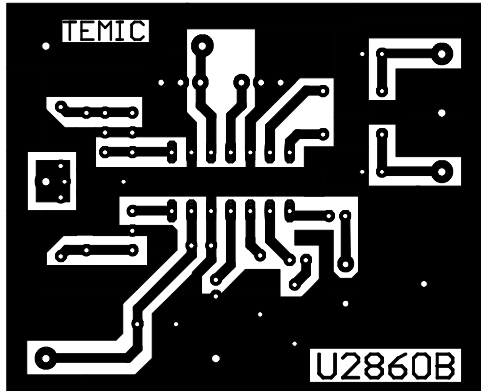
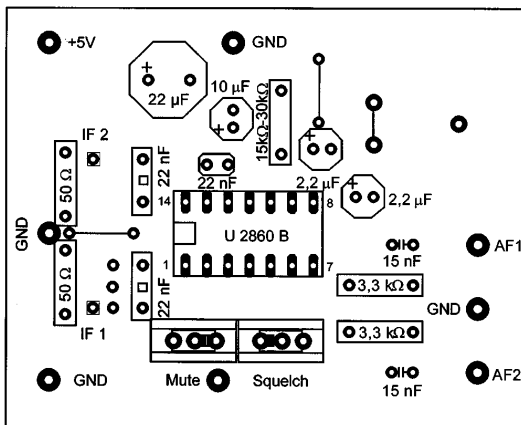


Figure 4. Application circuit



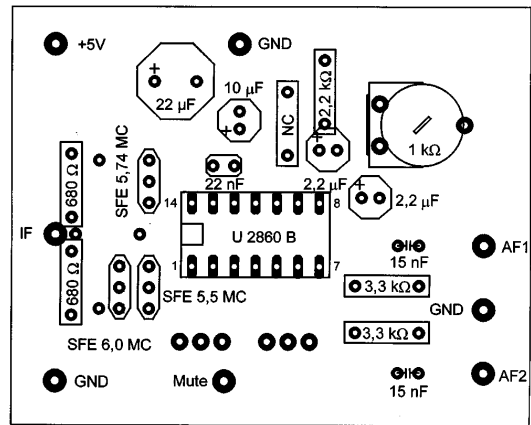
95 10708

Figure 5. PCB layout (test/application circuit)



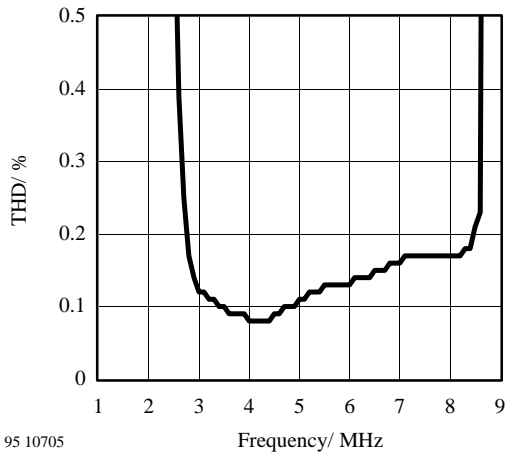
95 10709

Figure 6. Component layout (test circuit)



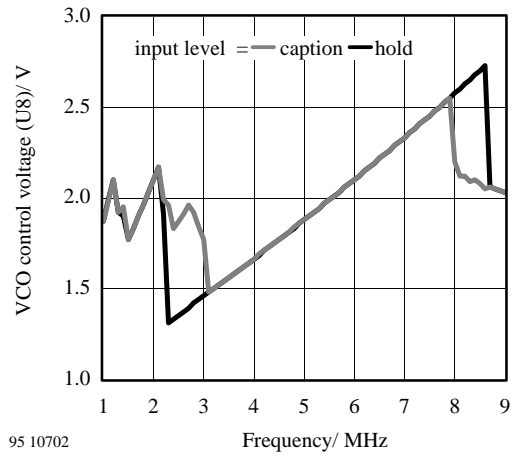
95 10710

Figure 7. Component layout (application circuit)



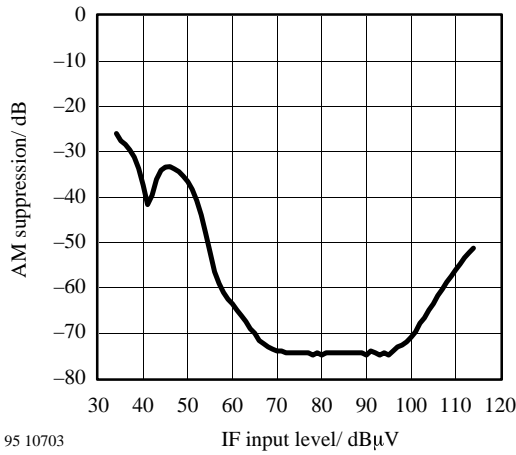
95 10705

Figure 8. Total harmonic distortion



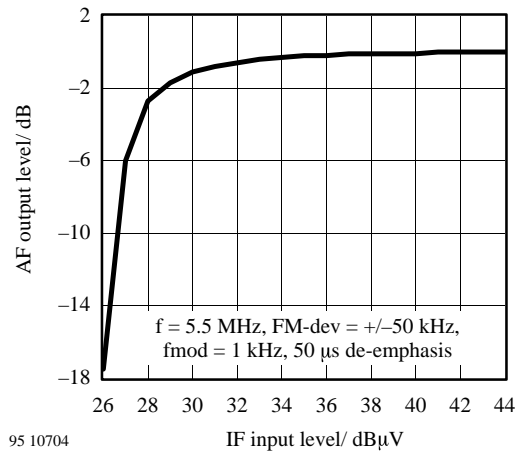
95 10702

Figure 11. Capture and hold range



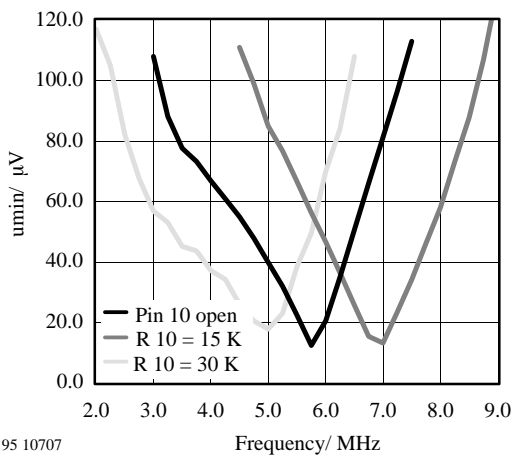
95 10703

Figure 9. AM suppression



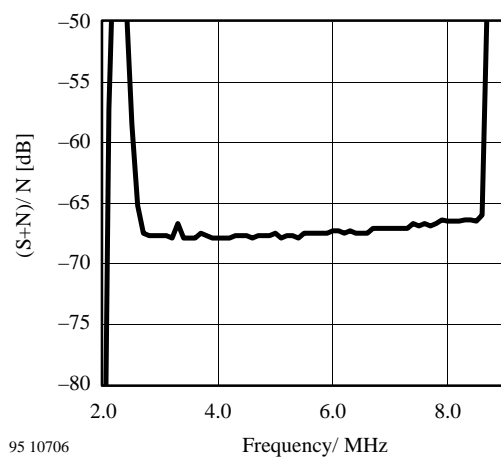
95 10704

Figure 12. Limiter characteristics



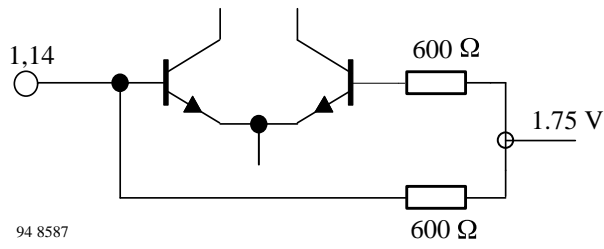
95 10707

Figure 10. VCO free-running frequency



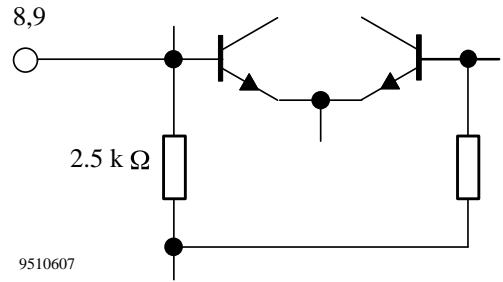
95 10706

Figure 13. Signal to noise ratio



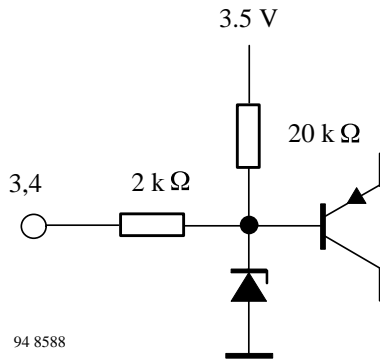
94 8587

Figure 14. SIF inputs



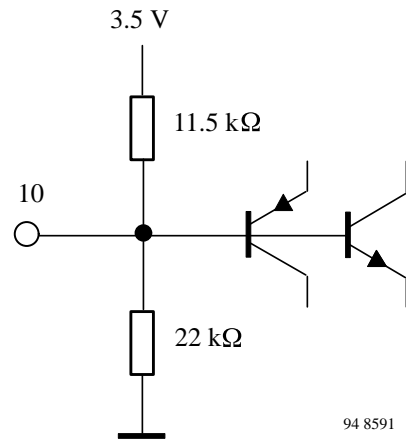
9510607

Figure 17. Decoupling capacitor



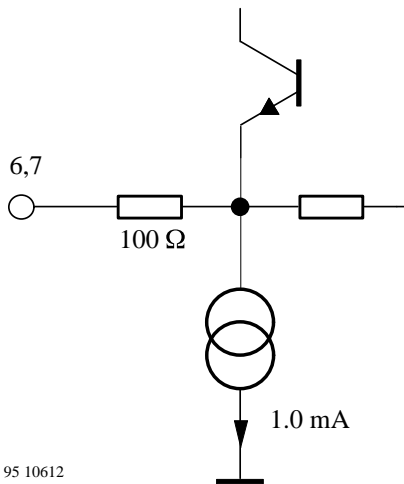
94 8588

Figure 15. Mute switch/squelch switch



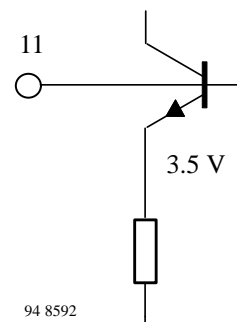
94 8591

Figure 18. VCO offset (reference resistor)



95 10612

Figure 16. Audio outputs

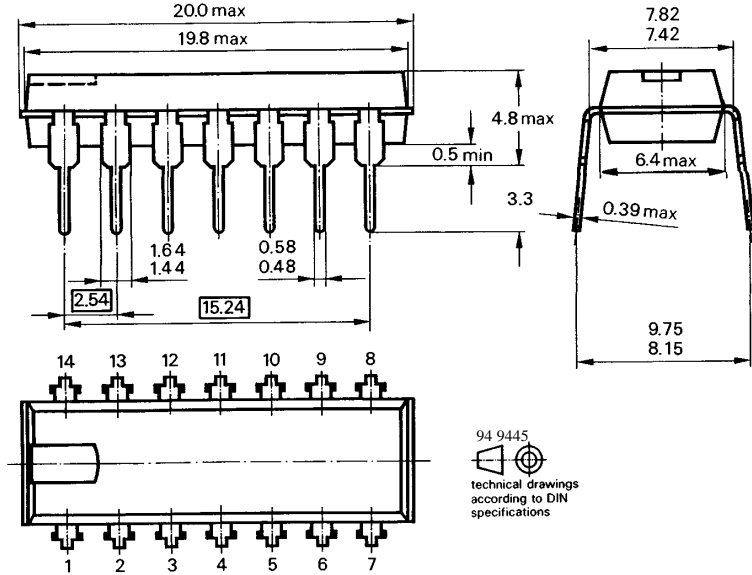


94 8592

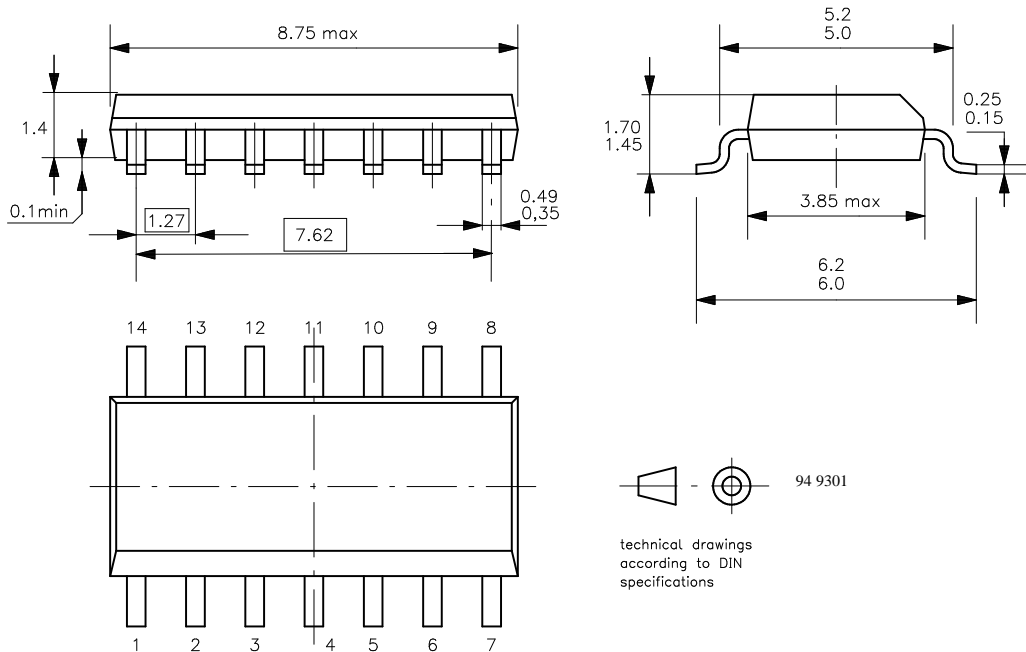
Figure 19. Internal supply voltage stabilization

Dimensions in mm

Package: DIP14



Package: SO14



Ozone Depleting Substances Policy Statement

It is the policy of **TEMIC TELEFUNKEN microelectronic GmbH** to

1. Meet all present and future national and international statutory requirements.
2. Regularly and continuously improve the performance of our products, processes, distribution and operating systems with respect to their impact on the health and safety of our employees and the public, as well as their impact on the environment.

It is particular concern to control or eliminate releases of those substances into the atmosphere which are known as ozone depleting substances (ODSs).

The Montreal Protocol (1987) and its London Amendments (1990) intend to severely restrict the use of ODSs and forbid their use within the next ten years. Various national and international initiatives are pressing for an earlier ban on these substances.

TEMIC TELEFUNKEN microelectronic GmbH semiconductor division has been able to use its policy of continuous improvements to eliminate the use of ODSs listed in the following documents.

1. Annex A, B and list of transitional substances of the Montreal Protocol and the London Amendments respectively
2. Class I and II ozone depleting substances in the Clean Air Act Amendments of 1990 by the Environmental Protection Agency (EPA) in the USA
3. Council Decision 88/540/EEC and 91/690/EEC Annex A, B and C (transitional substances) respectively.

TEMIC can certify that our semiconductors are not manufactured with ozone depleting substances and do not contain such substances.

We reserve the right to make changes to improve technical design and may do so without further notice.

Parameters can vary in different applications. All operating parameters must be validated for each customer application by the customer. Should the buyer use TEMIC products for any unintended or unauthorized application, the buyer shall indemnify TEMIC against all claims, costs, damages, and expenses, arising out of, directly or indirectly, any claim of personal damage, injury or death associated with such unintended or unauthorized use.

TEMIC TELEFUNKEN microelectronic GmbH, P.O.B. 3535, D-74025 Heilbronn, Germany
Telephone: 49 (0)7131 67 2831, Fax number: 49 (0)7131 67 2423