



TPI8011N TPI12011N

Application Specific Discretés
A.S.D.™

TRIPOLAR PROTECTION FOR ISDN INTERFACES

FEATURES

- BIDIRECTIONAL TRIPLE CROWBAR PROTECTION.
- PEAK PULSE CURRENT :
 $I_{PP} = 30 \text{ A}$, 10/1000 μs .
- BREAKDOWN VOLTAGE:
TPI80xxN : 80V
TPI120xxN : 120V.
- AVAILABLE IN SO8 PACKAGES.
- LOW DYNAMIC BREAKOVER VOLTAGE :
TPI80N : 150V
TPI120 : 200V

DESCRIPTION

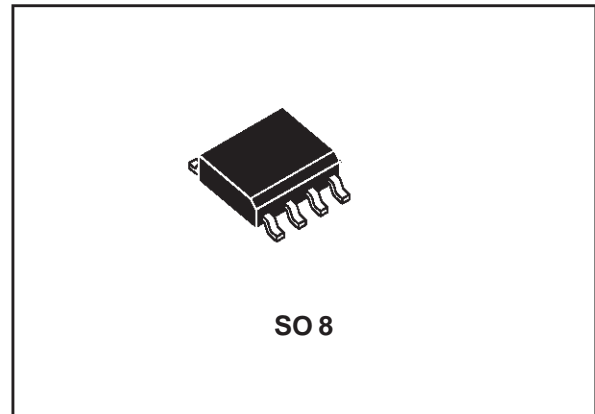
Dedicated devices for ISDN interface and high speed data telecom line protection. Equivalent to a triple TRISIL with low capacitance.

These devices provide :

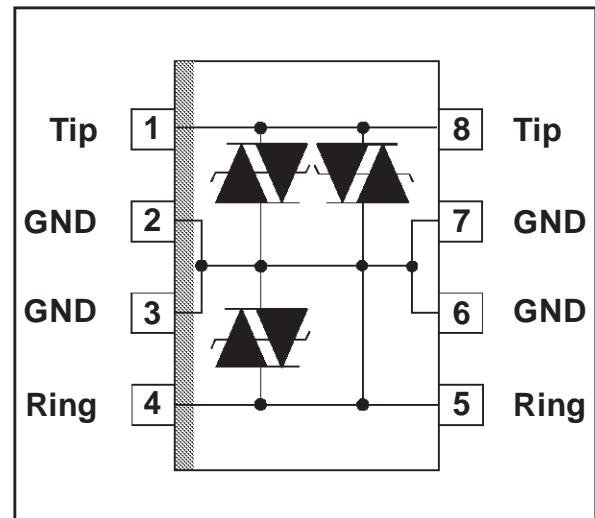
- low capacitance from lines to ground, allowing high speed transmission without signal attenuation.
- good capacitance balance between lines in order to ensure longitudinal balance.
- fixed breakdown voltage in both common and differential modes.
- the same surge current capability in both common and differential modes.
- A particular attention has been given to the internal wire bonding. The "4-point" configuration ensures a reliable protection, eliminating overvoltages introduced by the parasitic inductances of the wiring (Ldi/dt), especially for very fast transient overvoltages.

COMPLIES WITH THE FOLLOWING STANDARDS :

CCITT K17 - K20	10/700 μs	1.5 kV
	5/310 μs	38 A
VDE 0433	10/700 μs	2 kV
	5/310 μs	50 A
VDE 0878	1.2/50 μs	1.5 kV
	1/20 μs	40 A
CNET	0.5/700 μs	1.5 kV
	0.2/310 μs	38 A



SCHEMATIC DIAGRAM



TM: ASD is a trademark of SGS-THOMSON Microelectronics.

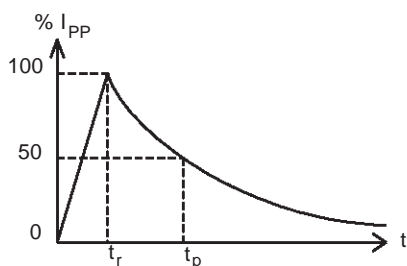
TPI8011N/TPI12011N

ABSOLUTE MAXIMUM RATINGS ($T_{amb} = 25\text{ }^{\circ}\text{C}$)

Symbol	Parameter	Value	Unit
I_{PP}	Peak pulse current (see note 1)	10/1000 μs 5/320 μs 2/10 μs	30 40 90 A
I_{TSM}	Non repetitive surge peak on-state current ($F = 50\text{ Hz}$).	$t_p = 10\text{ ms}$ $t = 1\text{ s}$	8 3.5 A
T_{stg} T_j	Storage temperature range Maximum junction temperature	- 55 to + 150 150	$^{\circ}\text{C}$
T_L	Maximum lead temperature for soldering during 10s	260	$^{\circ}\text{C}$

Note 1 : Pulse waveform :

10/1000 μs	$t_r=10\mu\text{s}$	$t_p=1000\mu\text{s}$
5/310 μs	$t_r=5\mu\text{s}$	$t_p=310\mu\text{s}$
2/10 μs	$t_r=2\mu\text{s}$	$t_p=10\mu\text{s}$

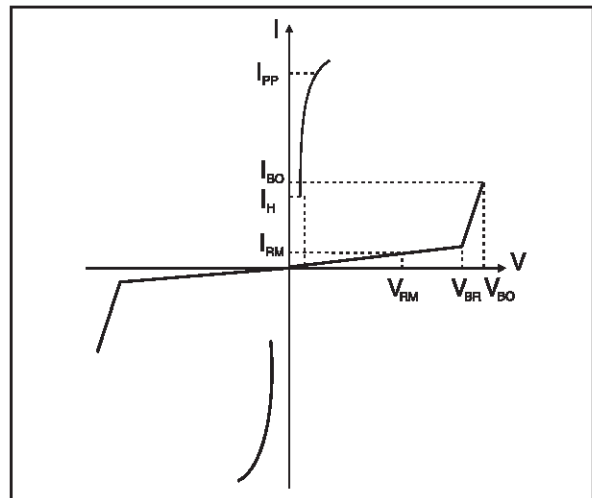


THERMAL RESISTANCES

Symbol	Parameter	Value	Unit
$R_{th(j-a)}$	Junction to ambient	SO 8 170	$^{\circ}\text{C/W}$

ELECTRICAL CHARACTERISTICS ($T_{amb} = 25^{\circ}C$)

Symbol	Parameter
V_{RM}	Stand-off voltage
I_{RM}	Leakage current
V_{BR}	Breakdown voltage
V_{BO}	Breakover voltage
I_H	Holding current
I_{BO}	Breakover current
I_{PP}	Peak pulse current
V_F	Forward Voltage Drop
C	Capacitance



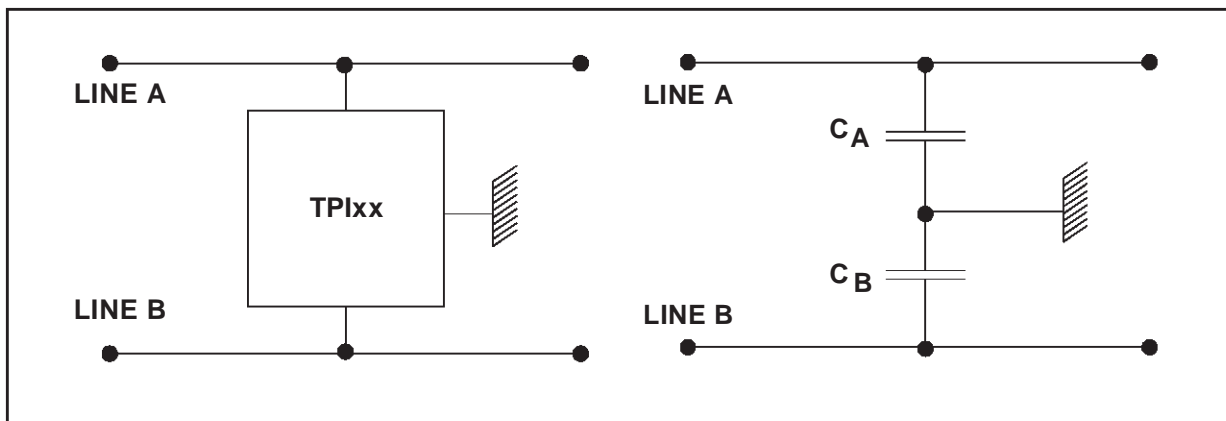
Types	$I_{RM} @ V_{RM}$ max.		$V_{BR} @ I_R$ min.		V_{BO} max. note1	V_{BO} dyn. typ. note2	I_{BO} max. note1	I_H min. note3
	μA	V	V	mA	V	V	mA	mA
TPI8011N	10	70	80	1	120	150	800	150
TPI12011N	10	105	120	1	180	200	800	150

Note 1 : See the reference test circuit 1.

Note 2 : Surge test according to CCITT 1.5kV,10/700 μs between Tip or Ring and ground.

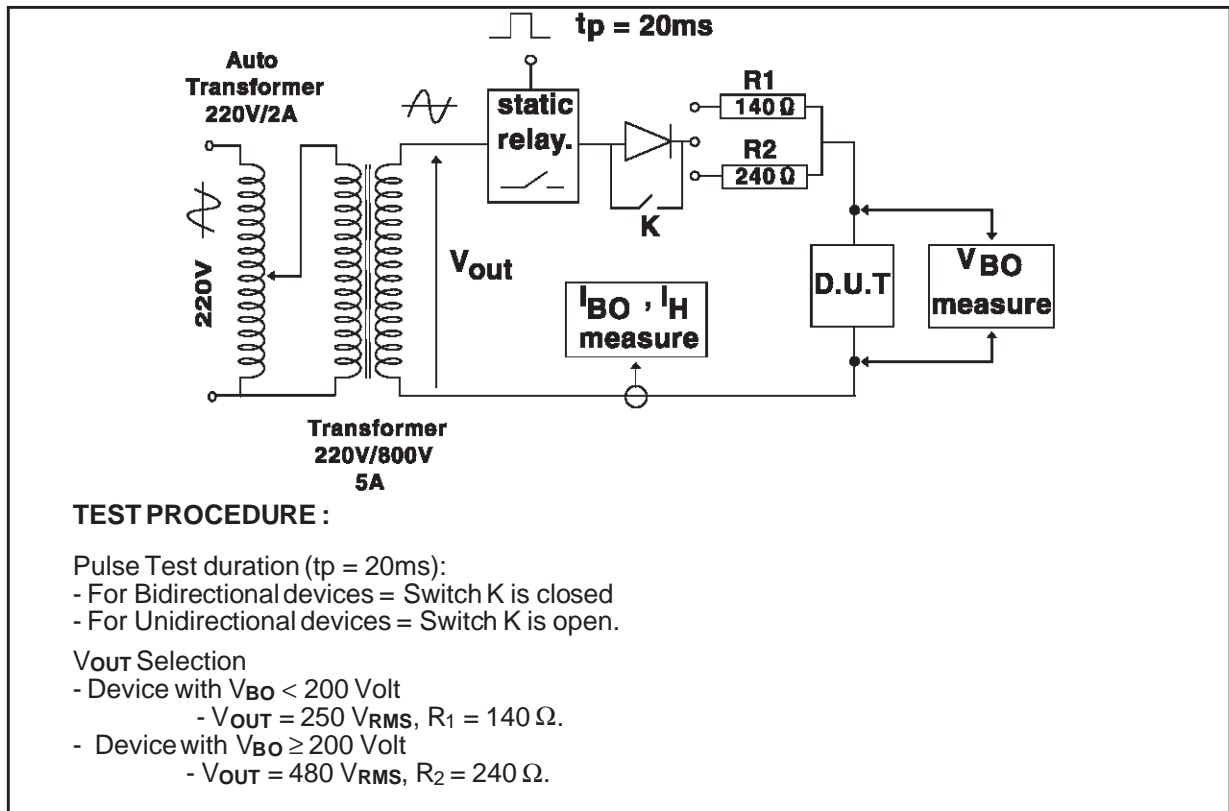
Note 3 : See functional holding current test circuit 2.

CAPACITANCES CHARACTERISTICS

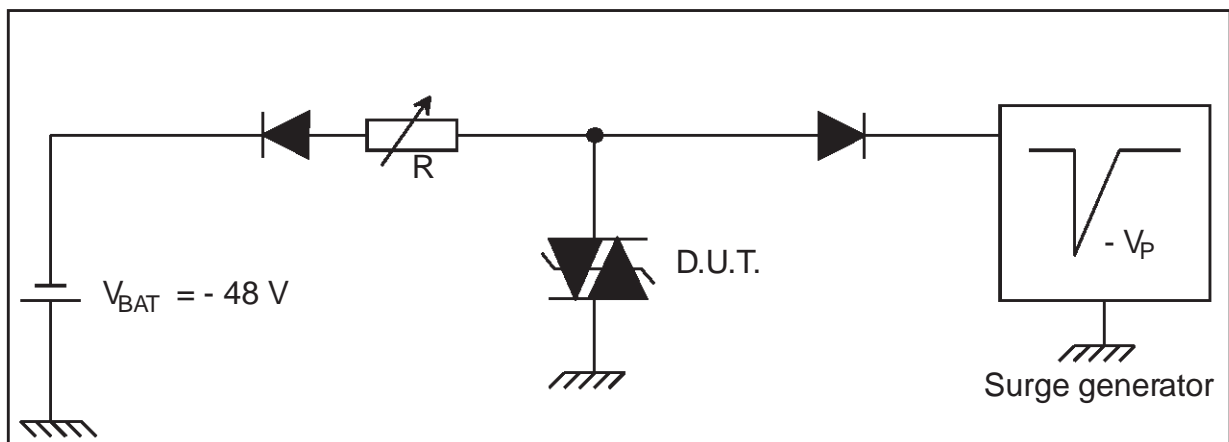


CONFIGURATION	C_A (pF) max	C_B (pF) max	$C_A - C_B$ (pF) max
$V_A = 1V$ $V_B = 56V$	70	50	30
$V_A = 56V$ $V_B = 1V$	50	70	30

REFERENCE TEST CIRCUIT 1 :



FUNCTIONAL HOLDING CURRENT (I_H) TEST CIRCUIT 2 :

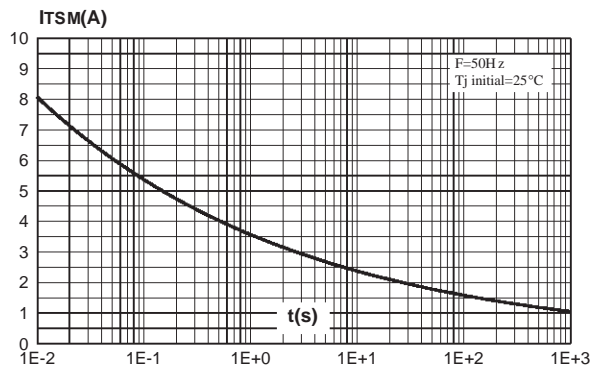


This is a GO-NOGO Test which allows to confirm the holding current (I_H) level in a functional test circuit.

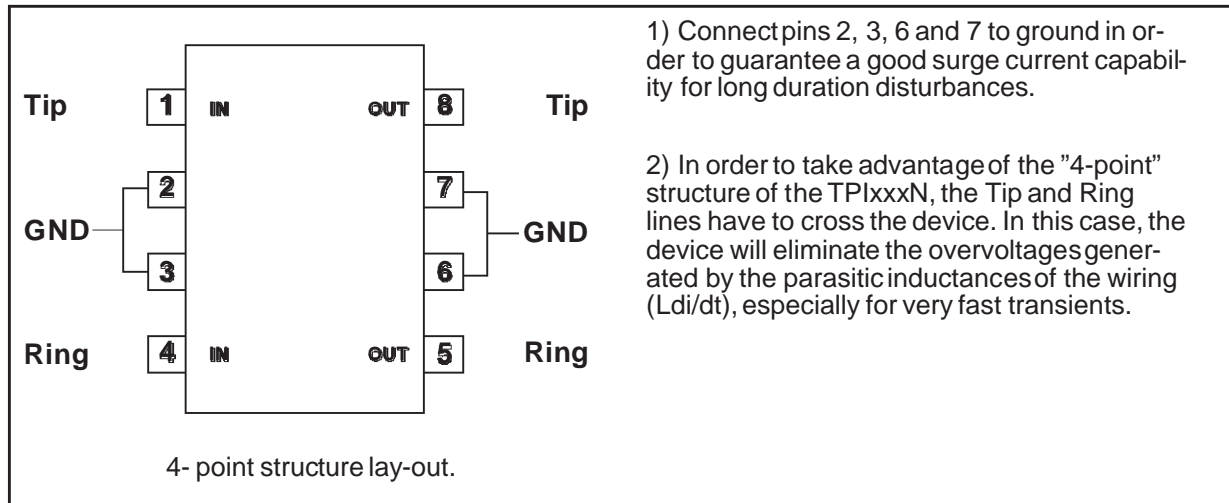
TEST PROCEDURE :

- 1) Adjust the current level at the I_H value by short circuiting the AK of the D.U.T.
- 2) Fire the D.U.T with a surge Current : $I_{pp} = 10\text{A}$, $10/1000 \mu\text{s}$.
- 3) The D.U.T will come back off-state within 50 ms max.

Fig. 1 : Surge peak current versus overload duration.

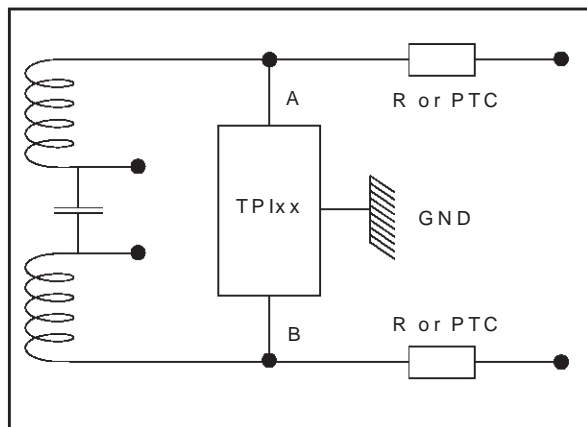


APPLICATION NOTE.

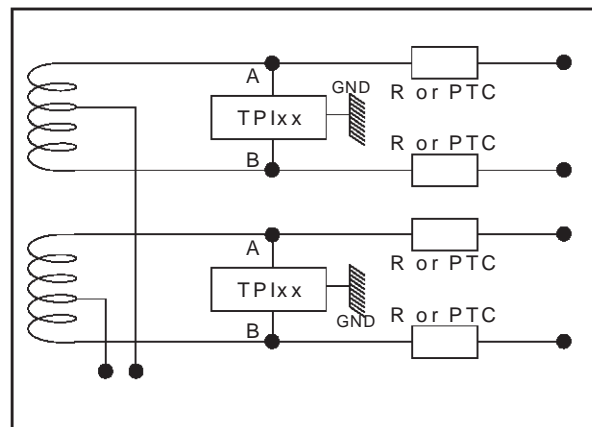


APPLICATION CIRCUITS :

1 - U INTERFACE PROTECTION



2 - S INTERFACE PROTECTION

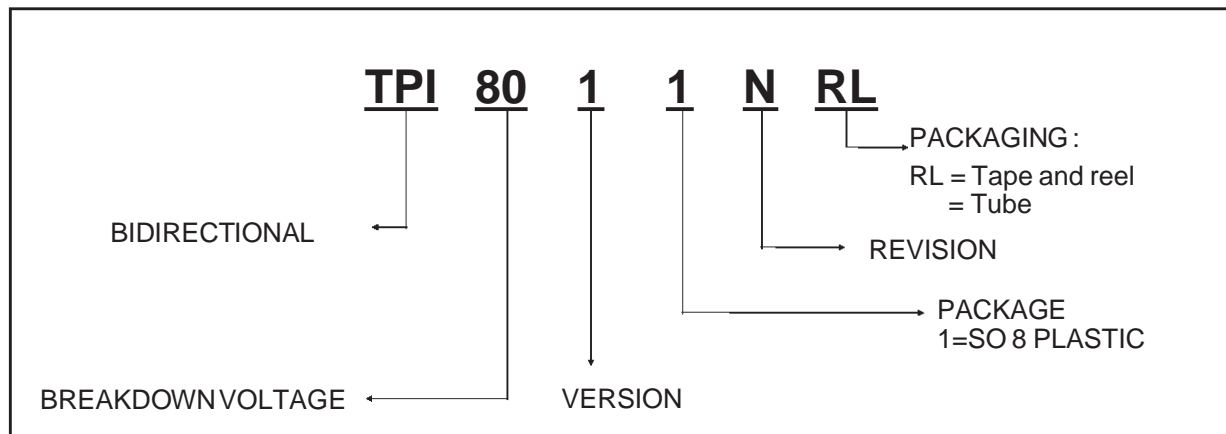


This component uses an internal structure resulting in symmetrical characteristics with a good balanced behaviour. Its topology ensures the same breakdown voltage level for positive and negative surges in differential and common mode.



TPI8011N/TPI12011N

ORDER CODE

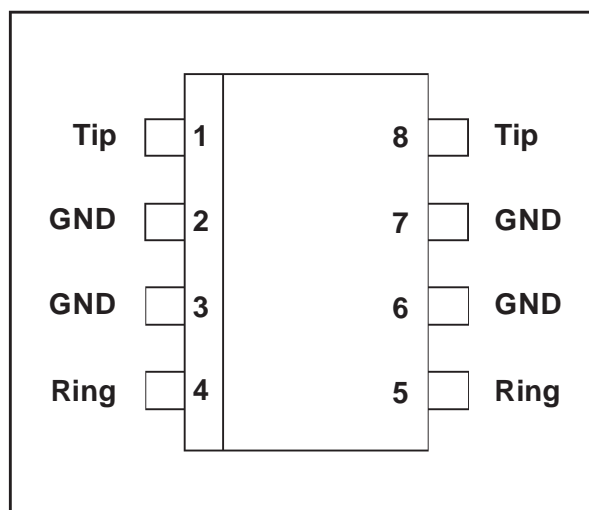


MARKING

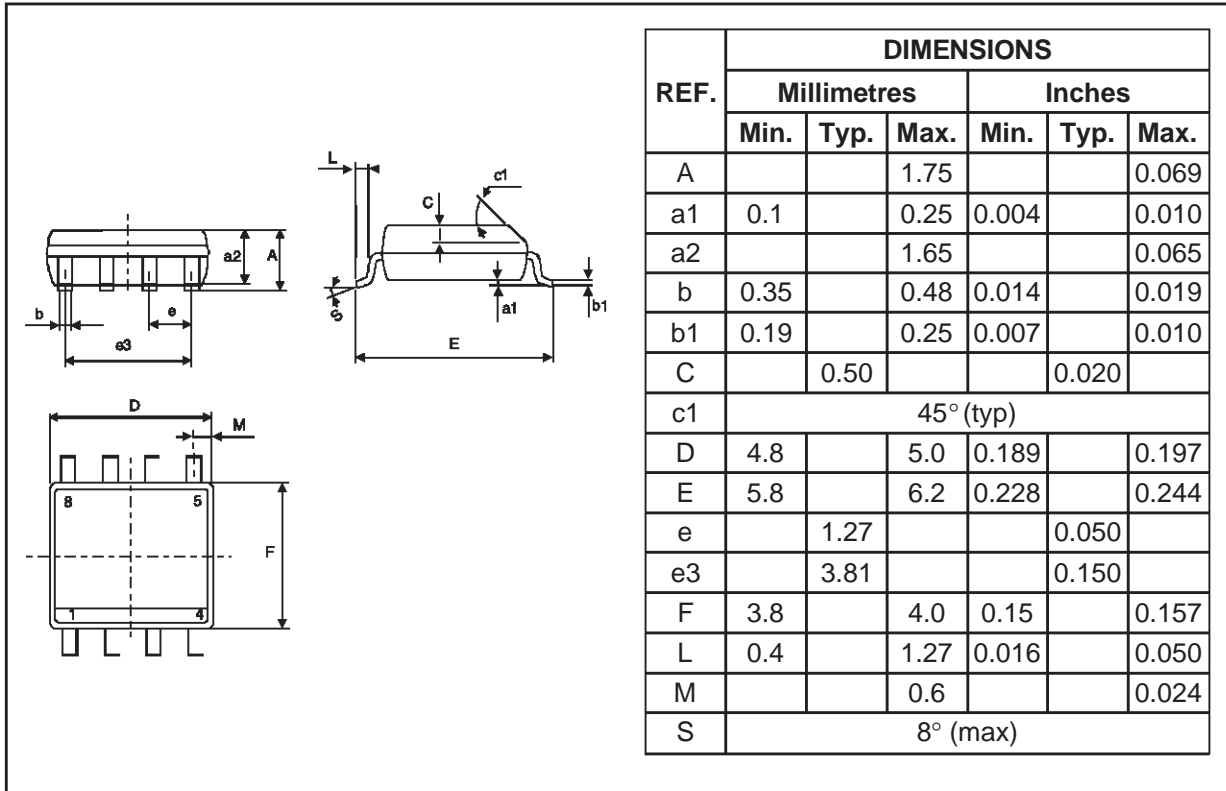
Package	Type	Marking
SO8	TPI8011N TPI12011N	TP80N TP120N

CONNECTION DIAGRAM

SO8 Plastic



PACKAGE MECHANICAL DATA
SO8 Plastic



Packaging: Products supplied in antistatic tubes or tape and reel.

Weight: 0.08g

Information furnished is believed to be accurate and reliable. However, STMicroelectronics assumes no responsibility for the consequences of use of such information nor for any infringement of patents or other rights of third parties which may result from its use. No license is granted by implication or otherwise under any patent or patent rights of STMicroelectronics. Specifications mentioned in this publication are subject to change without notice. This publication supersedes and replaces all information previously supplied. STMicroelectronics products are not authorized for use as critical components in life support devices or systems without express written approval of STMicroelectronics.

© 1998 STMicroelectronics - Printed in Italy - All rights reserved.

STMicroelectronics GROUP OF COMPANIES

Australia - Brazil - Canada - China - France - Germany - Italy - Japan - Korea - Malaysia - Malta - Mexico - Morocco - The Netherlands - Singapore - Spain - Sweden - Switzerland - Taiwan - Thailand - United Kingdom - U.S.A.