



TIP131/TIP132 TIP135/TIP137

COMPLEMENTARY SILICON POWER DARLINGTON TRANSISTORS

- TIP131, TIP132, TIP135 AND TIP137 ARE SGS-THOMSON PREFERRED SALESTYPES

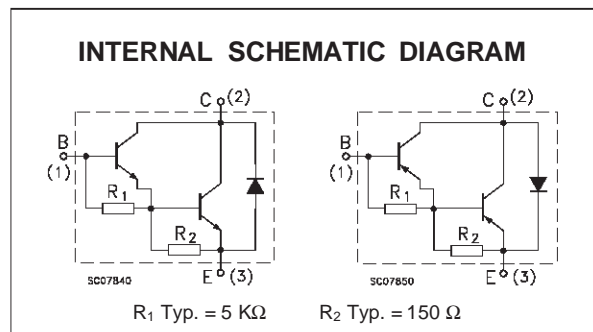
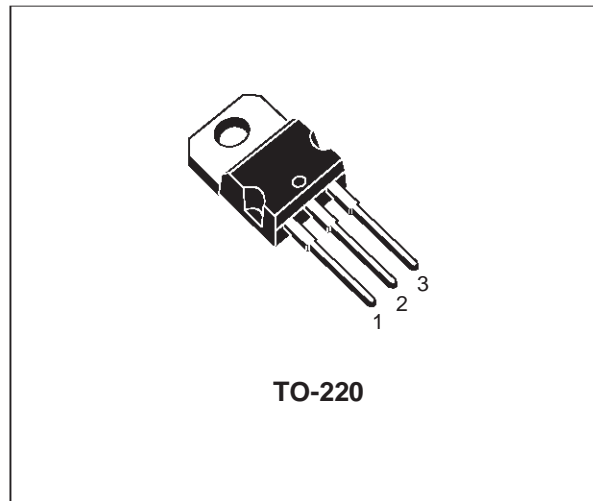
APPLICATION

- LINEAR AND SWITCHING INDUSTRIAL EQUIPMENT

DESCRIPTION

The TIP131 and TIP132 are silicon epitaxial-base NPN power transistors in monolithic Darlington configuration, mounted in Jedec TO-220 plastic package. They are intended for use in power linear and switching applications.

The complementary PNP type for TIP132 is TIP137.



ABSOLUTE MAXIMUM RATINGS

Symbol	Parameter	Value			Unit
		NPN PNP	TIP131	TIP132 TIP137	
V_{CBO}	Collector-Base Voltage ($I_E = 0$)	60	80	100	V
V_{CEO}	Collector-Emitter Voltage ($I_B = 0$)	60	80	100	V
V_{EBO}	Emitter-Base Voltage ($I_C = 0$)	5			V
I_C	Collector Current	8			A
I_{CM}	Collector Peak Current	12			A
I_B	Base Current	0.3			A
P_{tot}	Total Dissipation at $T_{case} \leq 25^\circ C$ $T_{amb} \leq 25^\circ C$	70			W
		2			W
T_{stg}	Storage Temperature	-65 to 150			$^\circ C$
T_j	Max. Operating Junction Temperature	150			$^\circ C$

* For PNP types voltage and current values are negative.

TIP131/TIP132/TIP135/TIP137

THERMAL DATA

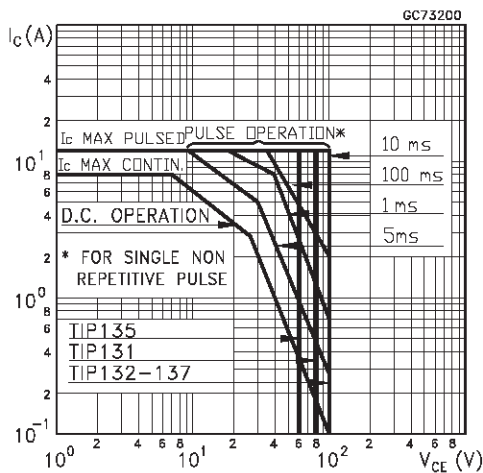
R _{thj-case}	Thermal Resistance Junction-case	Max	1.78	°C/W
R _{thj-amb}	Thermal Resistance Junction-ambient	Max	63.5	°C/W

ELECTRICAL CHARACTERISTICS (T_{case} = 25 °C unless otherwise specified)

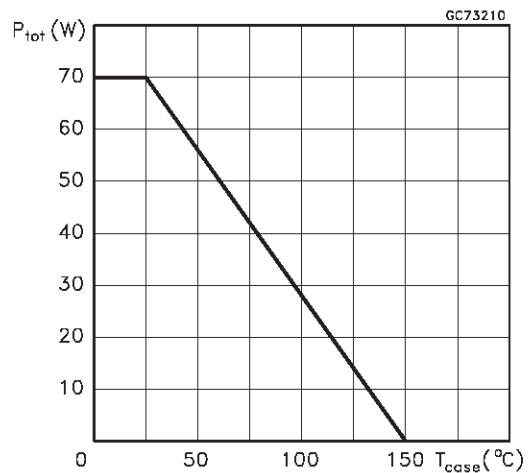
Symbol	Parameter	Test Conditions	Min.	Typ.	Max.	Unit
I _{CEO}	Collector Cut-off Current (I _B = 0)	V _{CE} = Half Rated V _{CEO}			0.5	mA
I _{CBO}	Collector Cut-off Current (I _E = 0)	V _{CB} = Half Rated V _{CBO}			0.2	mA
I _{EBO}	Emitter Cut-off Current (I _C = 0)	V _{EB} = 5 V			5	mA
V _{CEO(sus)} *	Collector-Emitter Sustaining Voltage (I _B = 0)	I _C = 30 mA for TIP135 for TIP131 for TIP132/137	60 80 100			V V V
V _{CE(sat)} *	Collector-Emitter Saturation Voltage	I _C = 4 A I _C = 6 A		I _B = 16 mA I _B = 30 mA	2 4	V V
V _{BE} *	Base-Emitter Voltage	I _C = 4 A		V _{CE} = 4 V	2.5	V
h _{FE} *	DC Current Gain	I _C = 1 A I _C = 4 A	500 1000		15000	

* For PNP types voltage and current values are negative.

Safe Operating Areas

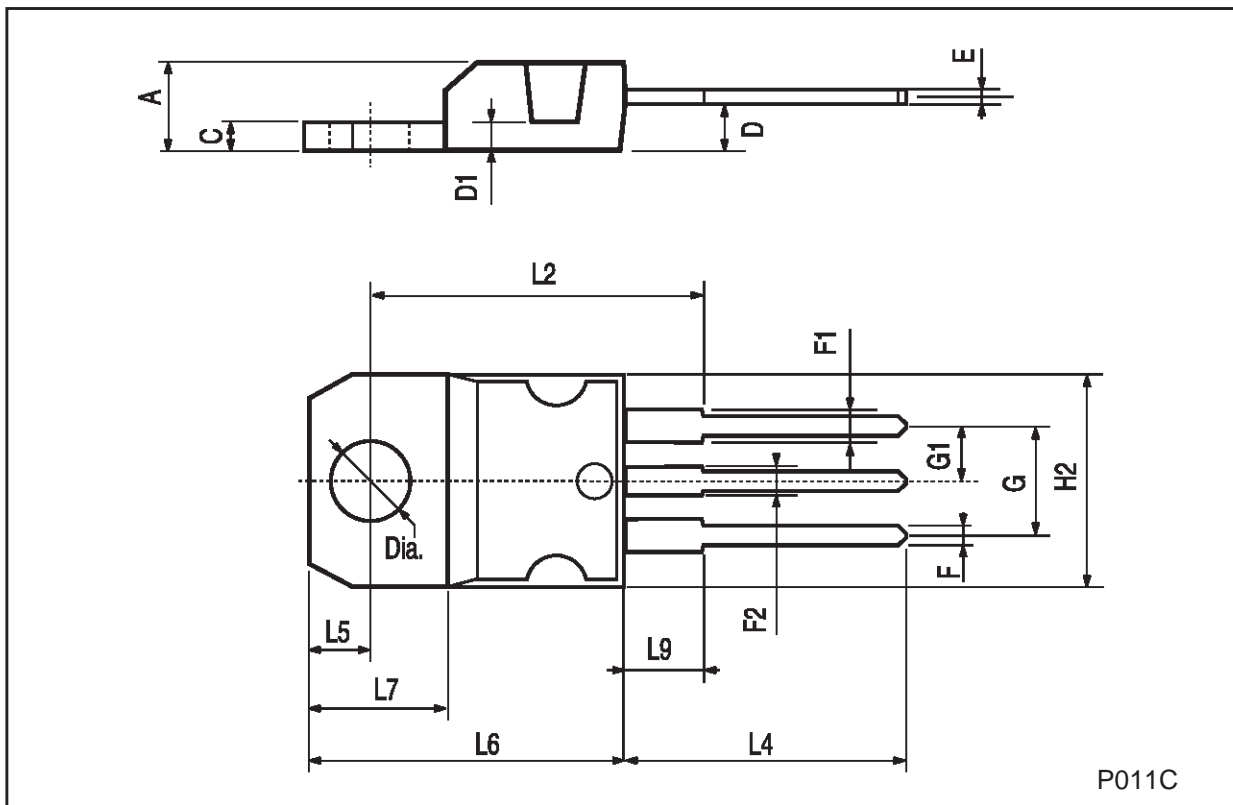


Power Derating Curve



TO-220 MECHANICAL DATA

DIM.	mm			inch		
	MIN.	TYP.	MAX.	MIN.	TYP.	MAX.
A	4.40		4.60	0.173		0.181
C	1.23		1.32	0.048		0.051
D	2.40		2.72	0.094		0.107
D1		1.27			0.050	
E	0.49		0.70	0.019		0.027
F	0.61		0.88	0.024		0.034
F1	1.14		1.70	0.044		0.067
F2	1.14		1.70	0.044		0.067
G	4.95		5.15	0.194		0.203
G1	2.4		2.7	0.094		0.106
H2	10.0		10.40	0.393		0.409
L2		16.4			0.645	
L4	13.0		14.0	0.511		0.551
L5	2.65		2.95	0.104		0.116
L6	15.25		15.75	0.600		0.620
L7	6.2		6.6	0.244		0.260
L9	3.5		3.93	0.137		0.154
DIA.	3.75		3.85	0.147		0.151



Information furnished is believed to be accurate and reliable. However, STMicroelectronics assumes no responsibility for the consequences of use of such information nor for any infringement of patents or other rights of third parties which may result from its use. No license is granted by implication or otherwise under any patent or patent rights of STMicroelectronics. Specification mentioned in this publication are subject to change without notice. This publication supersedes and replaces all information previously supplied. STMicroelectronics products are not authorized for use as critical components in life support devices or systems without express written approval of STMicroelectronics.

The ST logo is a trademark of STMicroelectronics

© 1998 STMicroelectronics – Printed in Italy – All Rights Reserved
STMicroelectronics GROUP OF COMPANIES

Australia - Brazil - Canada - China - France - Germany - Italy - Japan - Korea - Malaysia - Malta - Morocco - The Netherlands -
Singapore - Spain - Sweden - Switzerland - Taiwan - Thailand - United Kingdom - U.S.A.