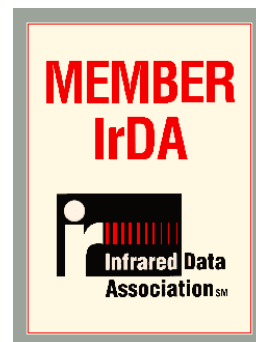


Integrated Transceiver

Description

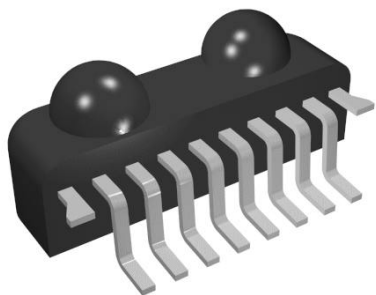
The TFDT4000 is an infrared transceiver for data communication systems. The transceiver is compatible to the IRDA standard and allows data rates up to 115 kbit/s. An internal AGC (Automatic Gain Control) ensures proper operation under EMI conditions. The internal IRED driver can be connected by the external current control resistor to an independent unregulated power supply. This will add more freedom in circuit design and efficient serial drive capability for external IREDs for high power applications.



Features:

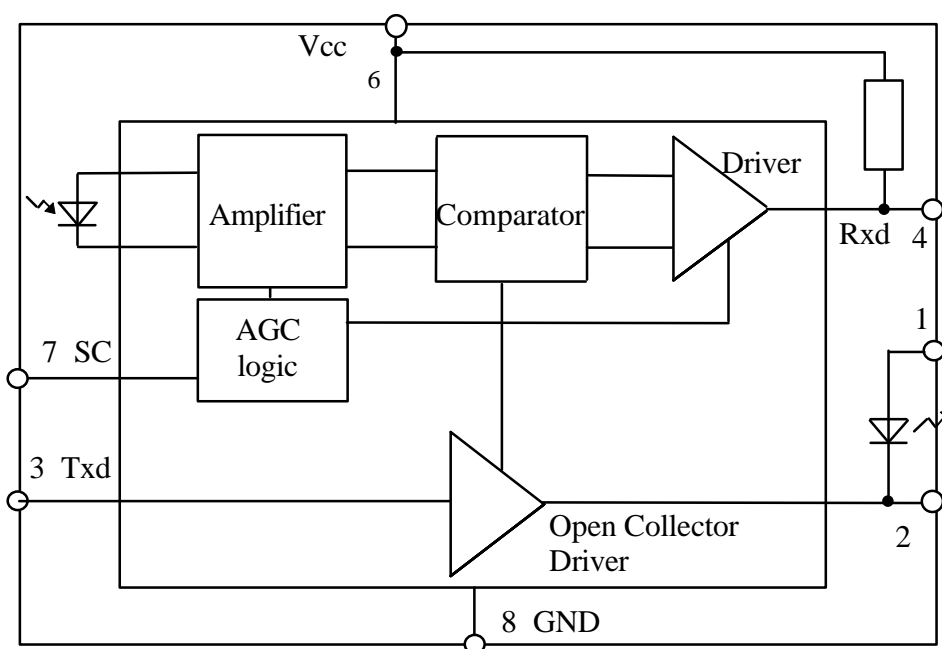
- | | |
|---|----------------------------|
| Compatible to IRDA standard | Microcomputer compatible |
| SMD top view and through hole side view | Fewest external components |
| Wide supply voltage range (2.7V...5.5V) | Low power consumption |
| Low Profile (height = 5.6 mm max.) | AGC for EMI immunity |
| | Open collector IRED driver |

Package:



- Pins, see pg. 7:
- 1: IRED Anode
 - 2: IRED Cathode
 - 3: Txd (Input)
 - 4: Rxd (Output)
 - 5: NC
 - 6: V_{CC} (Supply Voltage)
 - 7: SC (Sensitivity Control)
 - 8: Ground
- 2 stand off pins internally connected to ground.

Block Diagram



Absolute maximum ratings

Reference Point Pin 8, unless otherwise noted.

Parameter	Test Conditions	Symbol	MIN	TYP	MAX	Unit	Remark
Supply Voltage Range		V_{cc}	- 0.5		6	V	
Voltage Range of IRED Drive Output	pin 1, Txd "LOW"		- 0.5		6	V	
Input Currents	all pins except 1, 8, see IRED current				10	mA	
Output Sinking Current					25	mA	
Power Dissipation		P_{tot}			200	mW	s. derating curve, pg. 8
Junction Temperature		T_J			125	°C	
Ambient Temperature Range (Operating)		T_{amb}	0		70	°C	
Storage temperature range		T_{stg}	- 25		85	°C	
Soldering temperature	t= 20 s @215°C			215	230	°C	s. TEMIC IrDA Design Guide
Average IRED current		$I_{IRED(DC)}$			100	mA	
Rep. pulsed IRED current		$I_{IRED(RP)}$			500	mA	<90µs, t _{on} <20%
Peak IRED current		$I_{IRED(PK)}$			1	A	<2µs, t _{on} <10%
IRED Anode Voltage		$V_{IRED(A)}$	- 0.5		$V_{cc}+0.5$	V	
Transmitter Data Input Voltage		V_{Txd}	- 0.5		$V_{cc}+0.5$	V	
Receiver Data Output Voltage		V_{Rxd}	- 0.5		$V_{cc}+0.5$	V	

Optoelectronic characteristics

Tamb = 25°C, V_{cc} = 5V unless otherwise noted.

Parameter	Test condition	Symbol	MIN	TYP	MAX	Unit	Remark
Transceiver							
Supported data rates	Base band		2.4		115.2	kBit/s	IrDA SIR mode
Supply voltage range		V _{cc}	2.7	5	5.5	V	reduced function down to 2.5V
Supply current, pin 6	V _{cc} =5V	I _S		1.3	2.5	mA	
Supply current, pin 6	V _{cc} =3V	I _S		1.0	1.5	mA	
Leakage current of IR emitter , pin 1	V _{cc} , pin 6: Off, Txd: "LOW" V _{cc2} = 6V T=-25°C to 85°C	I _S		0.005	0.5	μA	s. appl. hint, page 6
Transceiver power on settling time					50	μs	Time from switching on V _{cc} to established specified operation
Receiver							
Min. detection threshold irradiance, SC="LOW"	α=±15°	E _{emin}		0.020	0.035	Wm ⁻²	SIR mode**)
Min. detection threshold irradiance, SC="HIGH"	α=±15°	E _{emin}	0.006	0.010	0.015	Wm ⁻²	SIR mode **)
Max. detection threshold irradiance	α=±90°, V _{cc} =5V	E _{emax}	3300	5000		Wm ⁻²	SIR mode **)
Max. detection threshold irradiance	α=±90°, V _{cc} =3V	E _{emax}	8000	15000		Wm ⁻²	SIR mode **)
Logic Low Receiver Input Irradiance, SC="HIGH" or SC="LOW"		E _{emaxlow}			0.004	Wm ⁻²	
Output voltage Rxd	active	V _{OL}		0.5	0.8	V	C=15pF, R=2.2k
Output voltage Rxd	non active	V _{OH}	V _{cc} -0.5			V	C=15pF, R=2.2k
Output current V _{OL} <0.8V				4		mA	

**) BER=10⁻⁸ (IrDA specification)

Optoelectronic characteristics

Tamb = 25°C, V_{cc} = 5V unless otherwise noted.

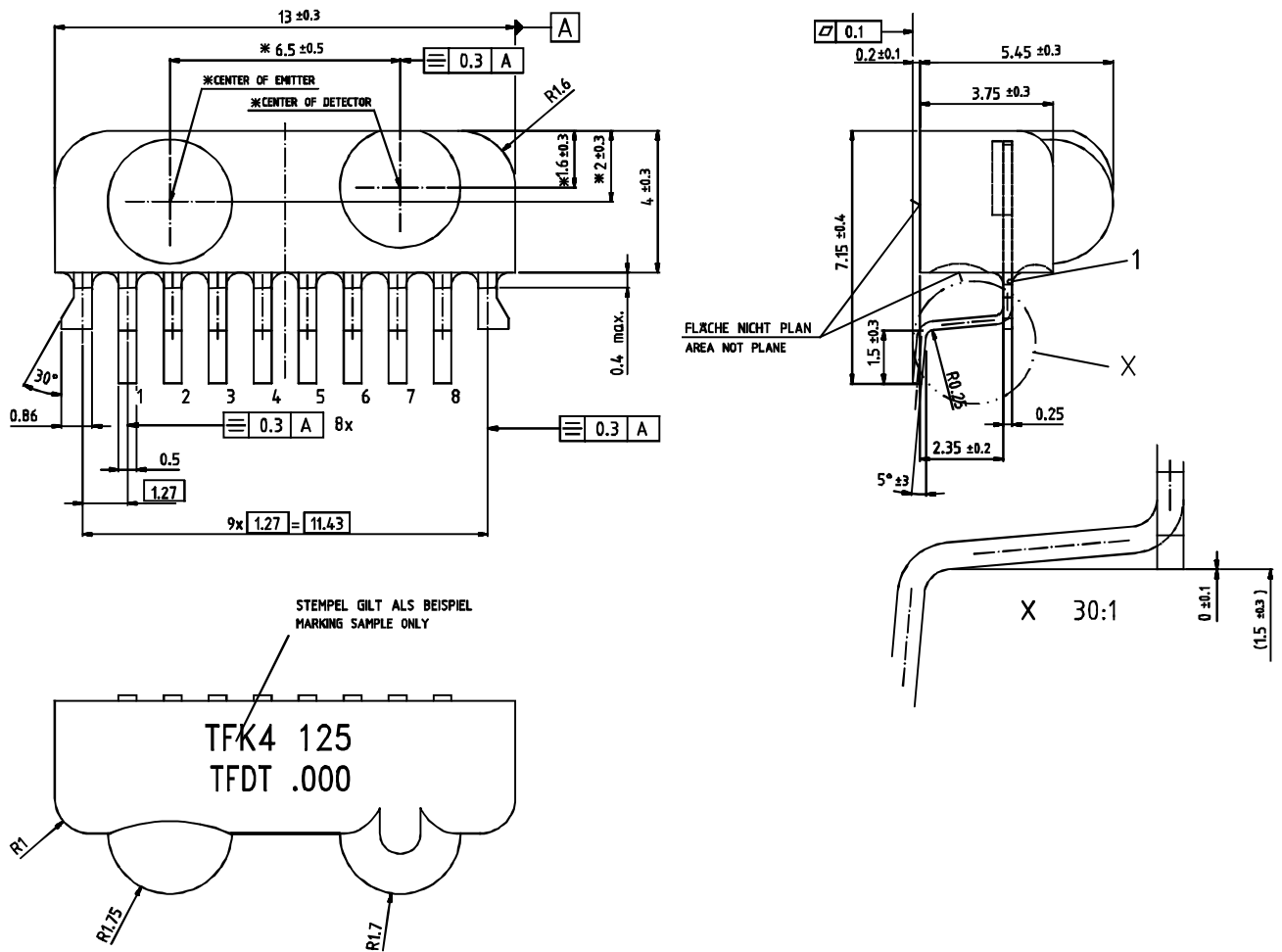
Parameter	Test condition	Symbol	MIN	TYP	MAX	Unit	Remark
Receiver, cont.							
Rise time @load= C=15pF, R=2.2k		t _r	20		200	ns	
Fall time @load= C=15pF, R=2.2k		t _f	20		200	ns	
Rxd signal electrical output pulse width	2.4 kBit/s, input pulse length 1.41μs to 3/16 of bit length	t _p	1.41		20	μs	
Rxd signal electrical output pulse width	115.2 kBit/s, input pulse length 1.41μs to 3/16 of bit length	t _p	1.41		8	μs	
Rxd signal electrical output pulse width	500 kHz, duty cycle 50%	t _p	0.8	1	1.2	μs	V _{cc} = 5 V only
Output delay time (Rxd)	Output level = 0.5*V _{cc} @ E _e =0.040 W/m ²	t _{dl}		1	2	μs	Delay of leading edge of output signal related to leading edge of optical input signal
Jitter, leading edge of output signal	Over a period of 10bit, 115.2 kBd	t _j			2	μs	
Output delay time (Rxd)	Output level = 0.5*V _{cc}	t _{dt}			6.5	μs	Delay of trailing edge of output signal related to trailing edge of optical input signal
Latency	Recovery from last transmitted pulse to 1.1*threshold sensitivity	t _L		100	800	μs	
Transmitter							
Driver current IRED	Current limiting resistor in series to IRED: R _S = 8.2 Ω @ 5 V _{cc} =5V	I _d		0.3	0.5	A	I _d can be adjusted by variation of R _S , see appl. hint page 6
Logic Low Transmitter Input Voltage		V _{IL} (Txd)	0		0.8	V	
Logic High Transmitter Input Voltage		V _{IH} (Txd)	2.4		V _{cc}	V	

Optoelectronic characteristics

Tamb = 25°C, V_{cc} = 5V unless otherwise noted.

Parameter	Test condition	Symbol	MIN	TYP	MAX	Unit	Remark
Transmitter, cont.							
Output Radiant Intensity, $\alpha = \pm 15^\circ$	Current limiting resistor in series to IRED: R _S = 8.2 Ω , V _{cc2} = 5V		45	150	200	mW/sr	in agreement with prospective future eye safety limits of IEC825
Angle of half intensity		α		± 24		°	
Peak wavelength of emission		λ_p	850		900	nm	
Halfwidth of Emission Spectrum				60		nm	
Optical Rise/Falltime	115.2 kHz square wave signal (duty cycle: 1:1)			200	600	ns	
Output Radiant Intensity	logic low level				0.04	μ W/sr	
Overshoot, optical					25	%	
Rising edge peak to peak jitter	Over a period of 10 bits, independent of information content	t _j			0.2	μ s	

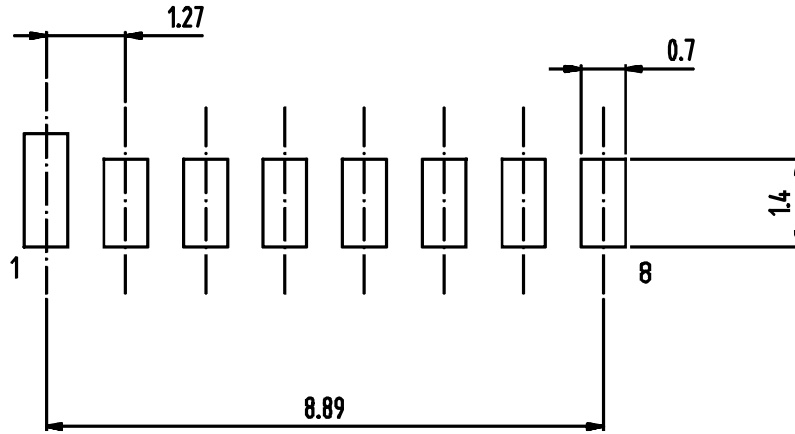
Mechanical Dimensions



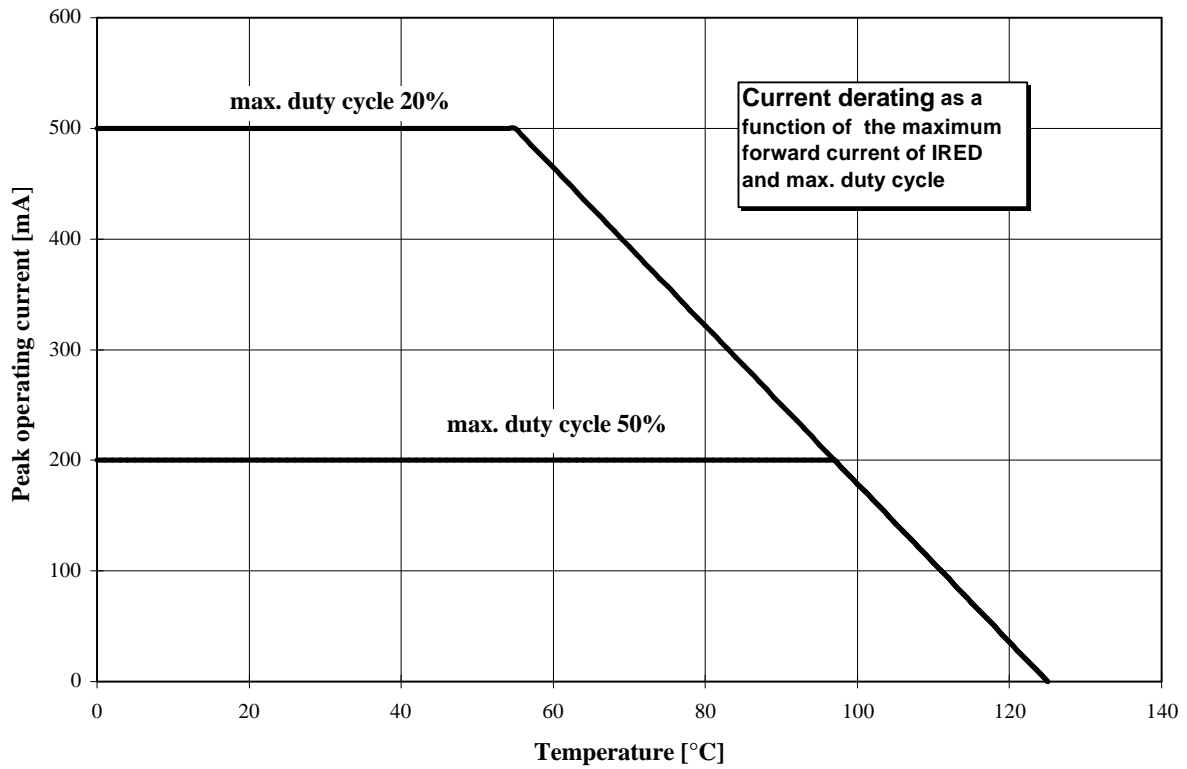
Package Outline Drawing. Dimensions in mm

Pin Assignment

Pin#	PIN NAME	DESCRIPTION	I/O	ACTIVE
1	IRED Anode	IRED Anode	O	LOW
2	IRED Cathode	IRED Cathode, internally connected to driver transistor	O	LOW
3	Txd	Transmit data	I	HIGH
4	Rxd	Received data	O	LOW
5	NC			
6	V _{cc}	Supply voltage		
7	SC	Sensitivity control	I	HIGH
8	GND	Ground		
-	2 stand off pins	Internally connected to ground		

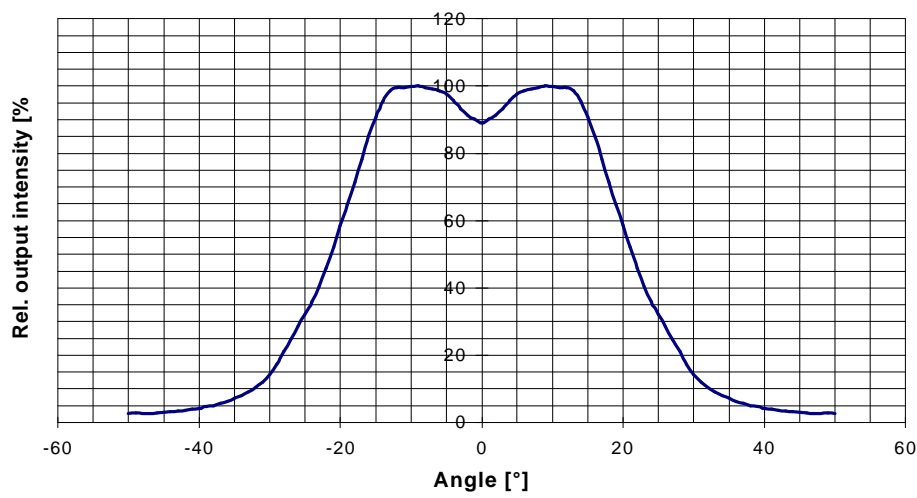
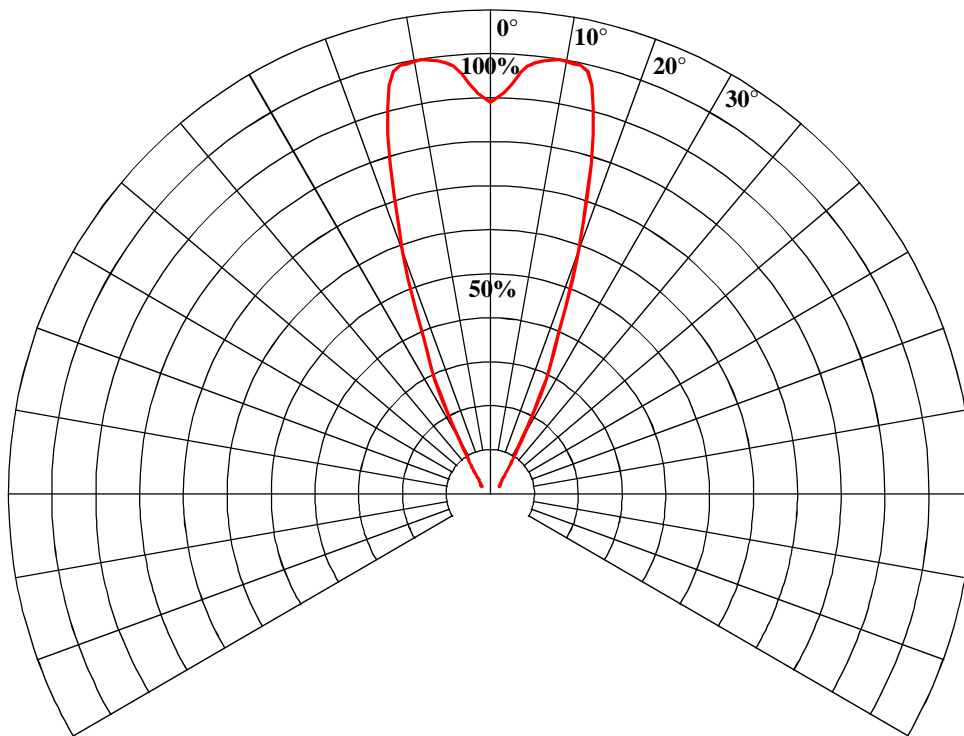


Recommended SMD pads for the TFDT4000 transceiver



Current derating as a function of ambient temperature and max. duty cycle

Angular emission characteristic



Angular receiving characteristic

