

BASIC FUNCTION AUDIO PROCESSOR

PRODUCT PREVIEW

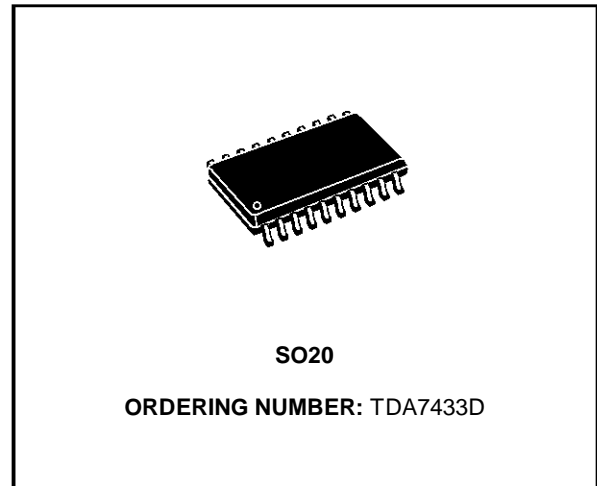
- TWO STEREO AND ONE MONO INPUTS CONTROLLED
- MUTE FUNCTION (SOFTWARE AND HARDWARE)
- VOLUME CONTROL IN 1dB STEP
- FOUR SPEAKER ATTENUATORS:
 - Independent attenuation control
 - Independent mute function
- ALL FUNCTIONS PROGRAMMABLE VIA I²C BUS

DESCRIPTION

The TDA7433 is a volume, tone (bass and treble) balance (Left/Right) processor for quality audio applications in car radio and Hi-Fi systems.

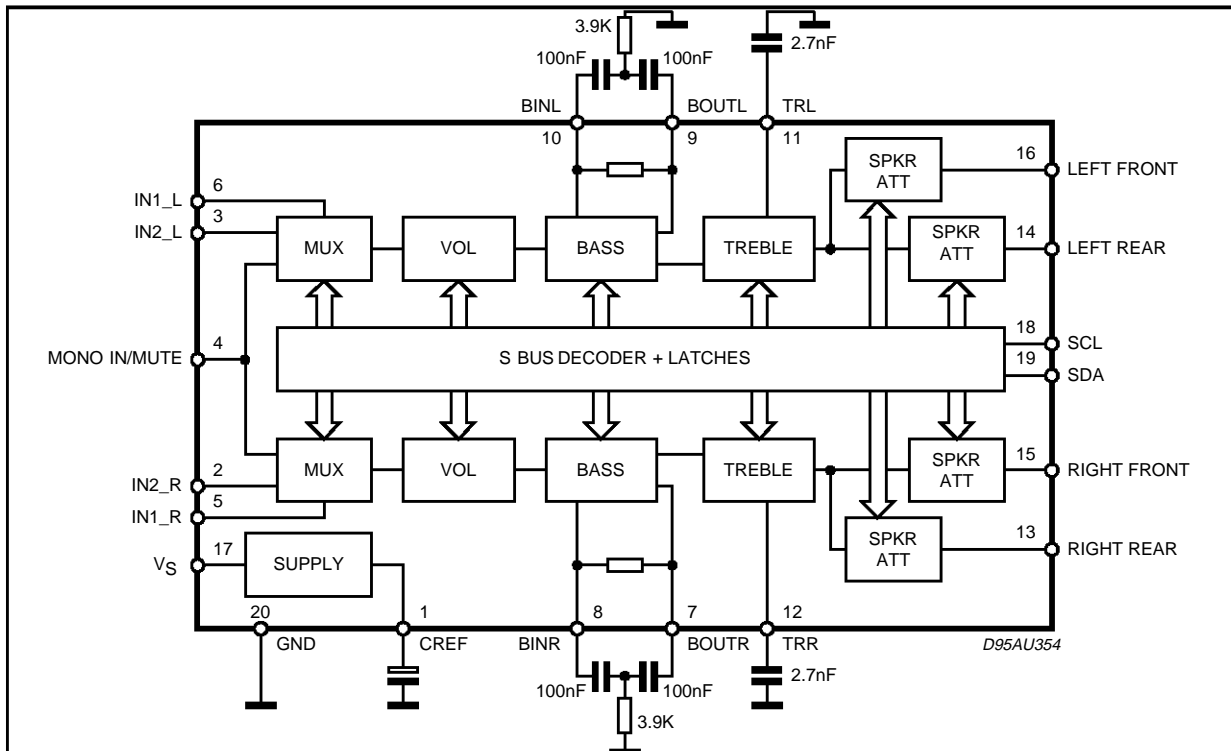
Control is accomplished by serial bus microprocessor interface.

The AC signal setting is obtained by resistor networks and switches combined with operational amplifiers.



Thanks to the advanced BIPOLAR/CMOS Technology, the external components have been reduced.

BLOCK DIAGRAM



TDA7433

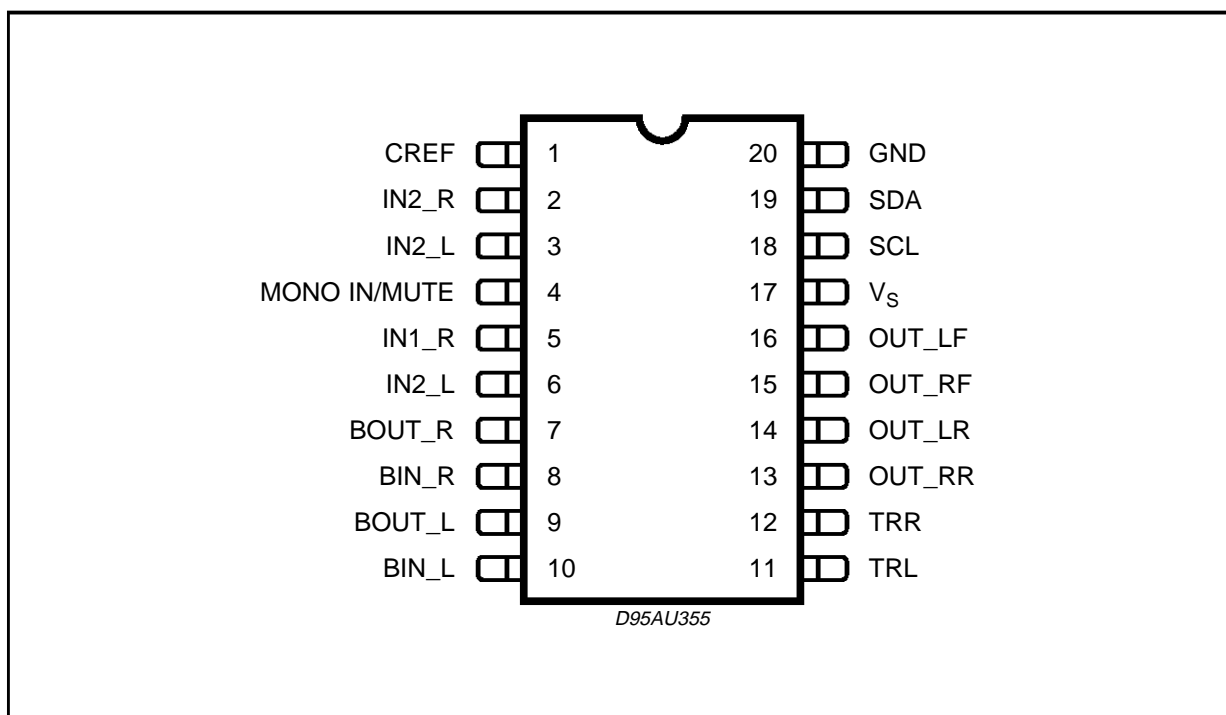
ABSOLUTE MAXIMUM RATINGS

Symbol	Parameter	Value	Unit
V _S	Operating Supply Voltage	10.2	V
T _{amb}	Operating Temperature Range	-40 to 85	°C
T _{stg}	Storage Temperature Range	-55 to +150	°C

QUICK REFERENCE DATA

Symbol	Parameter	Min.	Typ.	Max.	Unit
V _S	Supply Voltage	7	9	10.2	V
V _{CL}	Max. Input Signal Handling	1.3	1.6		V _{rms}
THD	Total Harmonic Distortion (V = 1V _{rms} f = 1kHz)		0.05		%
S/N	Signal to Noise Ratio		102		dB
Sc	Channel Separation f = 1kHz		100		dB
	Volume Control 1dB step	-79		+32	dB
	Bass Control 2dB step	-18		+18	dB
	Treble Control 1dB step	-14		+14	dB
	Speaker Attenuators	-37.5		0	dB
	Mute Attenuation		100		dB

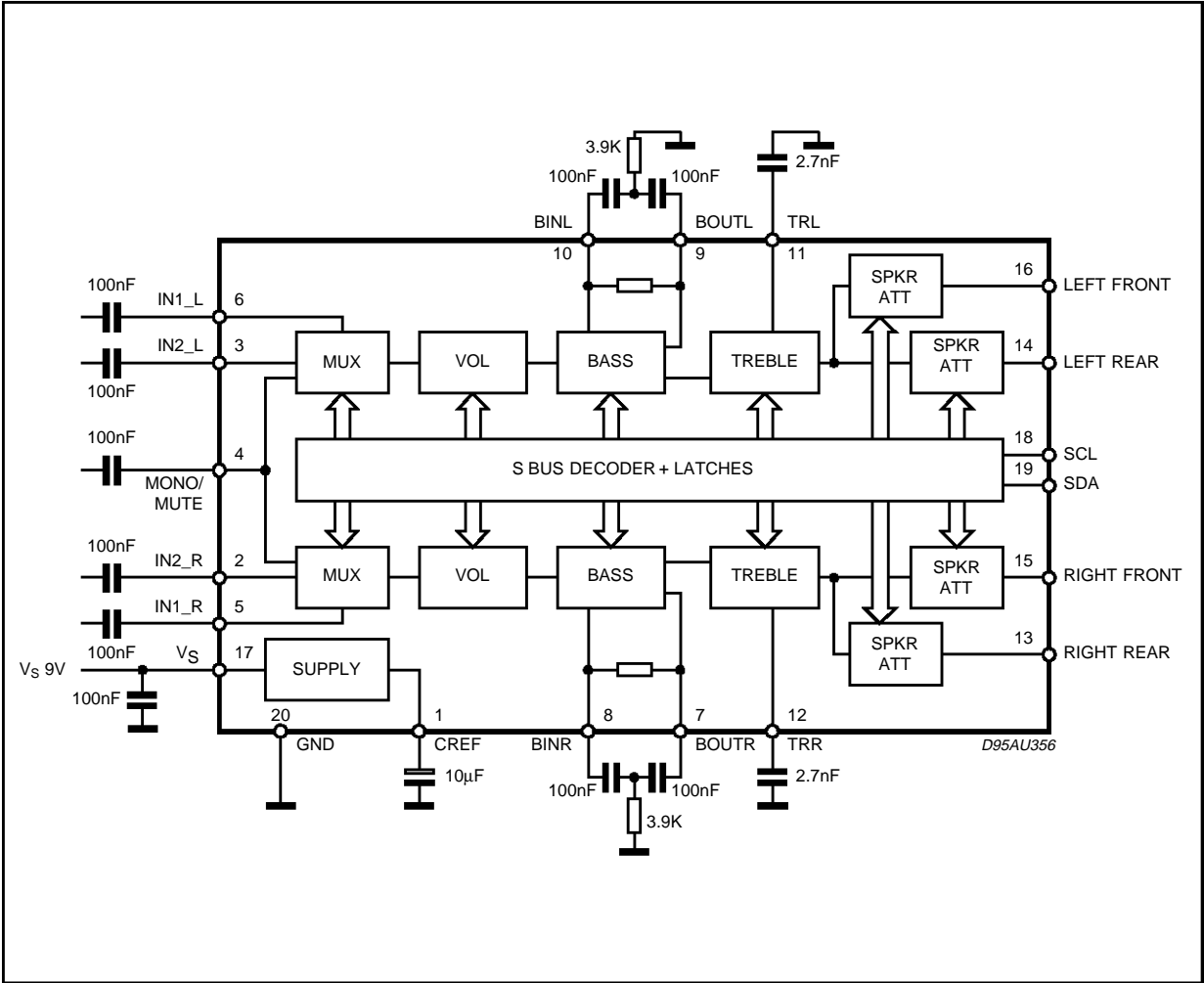
PIN CONNECTION (Top View)



THERMAL DATA

Symbol	Parameter	Value	Unit
R _{thj-pins}	Thermal Resistance Junction-pins	Max. 150	°C/W

APPLICATION DIAGRAM



TDA7433

ELECTRICAL CHARACTERISTICS ($T_{amb} = 25^{\circ}\text{C}$, $V_S = 9\text{V}$, $R_L = 10\text{k}\Omega$, $R_g = 50\text{k}\Omega$, all variable gains = 0dB, $f = 1\text{kHz}$, unless otherwise specified.)

Symbol	Parameter	Test Condition	Min.	Typ.	Max.	Unit
INPUT SELECTOR						
R_{IN}	Input Resistance		70	100		$\text{k}\Omega$
V_{CL}	Clipping Level	$d \leq 0.3\%$	1.3	1.6		V _{rms}
S_{IN}	Input Separation		70	100		dB
A_{MUTE}	Input Mute Attenuation		70	100		dB
V_{DC}	Mute DC Step			0.1	10	mV
MUTE AT AM INPUT (*)						
V_{IL}	Input Low Voltage	AM not selected			0.4	V
VOLUME CONTROL						
G_{MAX}	Max. Gain	Note 2		32		dB
A_{MAX}	Max Attenuation			79		dB
A_{step}	Step Resolution			1		dB
E_A	Attenuation Set Error	$G = +20$ to -20dB	-1.25	0	+1.25	dB
		$G = -20$ to -60dB	-3		2	dB
E_T	Tracking Error				2	dB
V_{DC}	DC Steps	Adjacent Attenuation Steps, Range from 0 to -79dB		0.1	4	mV
		From 0dB to -79dB		0.5	10	mV
BASS CONTROL						
B_{RANGE}	Max. Bass boost			+18		dB
B_{CUT}	Max. Bass cut			-18		dB
A_{step}	Step Resolution			2		dB
R_B	Internal Feedback Resistance			65		$\text{k}\Omega$
TREBLE CONTROL						
C_{RANGE}	Control Range			± 14		dB
A_{step}	Step Resolution			2		dB
SPEAKER ATTENUATORS						
C_{RANGE}	Control Range			37.5		dB
A_{step}	Step Resolution	From 0 to -24dB		1		dB
A_{MUTE}	Output Mute Attenuation		70	100		dB
E_A	Attenuation Set Error				2	dB
V_{DC}	DC Steps	Adjacent Attenuation Steps		0.1	4	mV
AUDIO OUTPUTS						
V_{CLIP}	Clipping Level	$d = 0.3\%$	2	2.5		V _{rms}
G_{OUT}	Output Gain (fixed)			4		dB
R_L	Output Load Resistance	AC - connected	3			$\text{k}\Omega$
		DC connected to GND	5			
C_L	Output Load Capacitance				10	nF
R_{OUT}	Output Impedance			30	100	Ω
V_{DC}	DC Voltage Level			4		V

(*) The mute function can be activated without using the I2C bus by grounding the AM input when AM is not selected. This causes the input multiplexer to select the reference voltage instead of an input signal.

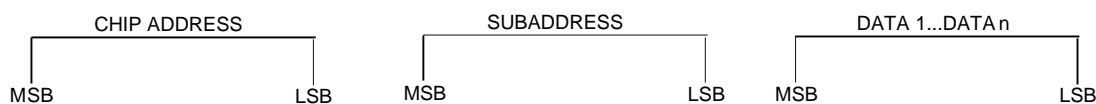
ELECTRICAL CHARACTERISTICS (continued)

Symbol	Parameter	Test Condition	Min.	Typ.	Max.	Unit
GENERAL						
V _S	Supply Voltage		7	9	10.2	V
I _S	Supply Current			7	11	mA
PSRR	Power Supply Rejection Ratio		60	80		dB
e _{NO}	Output Noise	20Hz - 20kHz "A" - weighted BW = 20Hz - 20kHz, flat output muted		4 7.5	20	μV μV
S/N	Signal to Noise Ratio	all gains = 0dB; V _O = 1Vrms		102		dB
d	Distortion	V _{OUT} = 1Vrms		0.05	0.15	%
Sc	Channel Separation		70	100		dB
E _T	Total Tracking Error	A _V = 0 to -20dB A _V = -20 to -60dB		0 0	1 2	dB dB
BUS INPUTS						
V _{IL}	Input Low Voltage				1	V
V _{IH}	Input High Voltage		3			V
I _{IN}	Input Current	V _{IN} = 0.4V	-5		+5	μA
V _O	Output Voltage SDA Acknowledge	I _O = 1.6mA			0.4	V

SOFTWARE SPECIFICATION**Interface Protocol**

The interface protocol comprises:

- a start condition (S)
- a chip address byte (the LSB bit determines read /write transmission)
- a subaddress byte
- a sequence of data (N-bytes + acknowledge)
- a stop condition (P)



S	1	0	0	0	1	0	1	R/W	ACK	X	X	X	I	A ₃	A ₂	A ₁	A ₀	ACK				DATA				ACK	P
---	---	---	---	---	---	---	---	-----	-----	---	---	---	---	----------------	----------------	----------------	----------------	-----	--	--	--	------	--	--	--	-----	---

ACK = Acknowledge

S = Start

P = Stop

MAX CLOCK SPEED 500kbits/s

Auto Increment

If bit I in the subaddress byte is set to "1", the autoincrement of the subaddress is enabled.

TDA7433

SUBADDRESS (receive mode)

MSB							LSB		FUNCTION
X	X	X	I	A3	A2	A1	A0		
				0	0	0	0	Input selector	
				0	0	0	1	Volume	
				0	0	1	0	Bass, Treble	
				0	0	1	1	Speaker attenuator LF	
				0	1	0	0	Speaker attenuator LR	
				0	1	0	1	Speaker attenuator RF	
				0	1	1	0	Speaker attenuator RR	

I = Auto increment

X = Not used

DATA BYTE SPECIFICATION

X = not relevant; set to "1" during testing

Input Selector

MSB							LSB		FUNCTION
D7	D6	D5	D4	D3	D2	D1	D0		
					0	0	0	IN2	
					0	0	1	IN1	
					0	1	0	mono IN	
					0	1	1	no input selected	
					1	X	X	mute (low homic)	
			0	0				non-symmetrical bass cut (note 1)	
			1	1				symmetrical bass cut	
			0					extended bass range	
			1					standard bass range ± 14 dB	

For example to select the IN2 input the Data Byte is: X X X X X 0 0 0.

An additional direct mute function is included in the Speaker Attenuators.

Note 1: Bass cut for very low frequencies.

MSB							LSB		VOLUME
D7	D6	D5	D4	D3	D2	D1	D0		
0	0	0	0	0	0	0	0	(+32dB) (note 2)	
0	0	0	0	0	0	0	1	(+31dB)	
			:					:	
0	0	0	0	1	1	0	0	+20dB	
0	0	0	0	1	1	0	1	+19dB	
0	0	0	0	1	1	1	0	+18dB	
			:					:	
0	0	0	1	1	1	1	1	+1dB	
0	0	1	0	0	0	0	0	0dB	
0	0	1	0	0	0	0	1	-1dB	
			:					:	
0	1	1	0	1	1	1	0	-78dB	
0	1	1	0	1	1	1	1	-79dB	

Note 2: It is not recommended to use a gain more than 20dB for system performance reason. In general, the max. gain should be limited by software to the maximum value, which is needed for the system.

Bass, Treble

	MSB				LSB				FUNCTION
	D7	D6	D5	D4	D3	D2	D1	D0	
					0	0	0	0	Treble Steps
					0	0	0	1	-14dB
					0	0	1	0	-12dB
					0	0	1	1	-10dB
					0	1	0	0	-8dB
					0	1	0	1	-6dB
					0	1	1	0	-4dB
					0	1	1	1	-2dB
					1	1	1	1	0dB
					1	1	1	0	0dB
					1	1	0	1	+2dB
					1	1	0	0	+4dB
					1	0	1	1	+6dB
					1	0	1	0	+8dB
					1	0	0	1	+10dB
					1	0	0	1	+12dB
					1	0	0	0	+14dB
D4 Input Selector									
									Bass Steps
0	0	0	0	1					-18dB
0	0	0	0	0					-16dB
1	0	0	0	0					-14dB
1	0	0	0	1					-12dB
1	0	0	1	0					-10dB
1	0	0	1	1					-8dB
1	0	1	0	0					-6dB
1	0	1	0	1					-4dB
1	0	1	1	0					-2dB
1	0	1	1	1					0dB
1	1	1	1	1					0dB
1	1	1	1	0					+2dB
1	1	1	0	1					+4dB
1	1	1	0	0					+6dB
1	1	0	1	1					+8dB
1	1	0	1	0					+10dB
1	1	0	0	1					+12dB
1	1	0	0	0					+14dB
0	1	0	0	0					+16dB
0	1	0	0	1					+18dB

For example 12dB Treble and -8dB Bass give the following DATA BYTE:0 0 1 1 1 0 0

Speaker Attenuators

MSB				LSB				SPEAKER ATTENUATOR LF,LR,RF,RR
D7	D6	D5	D4	D3	D2	D1	D0	
X	X	0	0	0	0	0	0	0dB
X	X	0	0	0	0	0	1	-1dB
				:				:
X	X	0	1	1	0	0	0	-24dB
X	X	0	1	1	0	0	1	-25.5dB
X	X	0	1	1	0	1	0	-27dB
X	X	0	1	1	0	1	1	-28.5dB
X	X	0	1	1	1	0	0	-30dB
X	X	0	1	1	1	1	0	-32dB
X	X	0	1	1	1	1	0	-34.5dB
X	X	0	1	1	1	1	1	-37.5dB
X	X	1	X	X	X	X	X	Speaker Mute

Functional Description

The input selector is able to select 2 stereo inputs and 1 mono input (AM). The inputs are DC biased with a 100k Ω resistors to the internal reference voltage of 3V. The mono input can be used additionally as hardware mute pin. If this pin is pulled to ground by an external transistor and AM is not selected, the input selector mutes the input (reference voltage selected). The AM part is considered to be switched OFF. If the output of the AM part is not high ohmic in this condition, a series resistor of about 20k Ω has to be foreseen.

The volume control can be programmed from a gain of +32dB to an attenuation of -79dB in 1dB steps. The maximum gain should be kept as low as possible for system performance reason. It has to be limited by software to the absolute necessary system gain, depending on the signal source level and the power amplifier gain.

The bass control acts in a range from +18dB to -18dB in 2dB steps. The filter response is deter-

mined by the external filter components. An extensive simulation software is available in order to support the design of the bass filter response with different filter configurations.

The extended bass boost range of +18dB allows the implementation of the software loudness function by additional bass and treble boost.

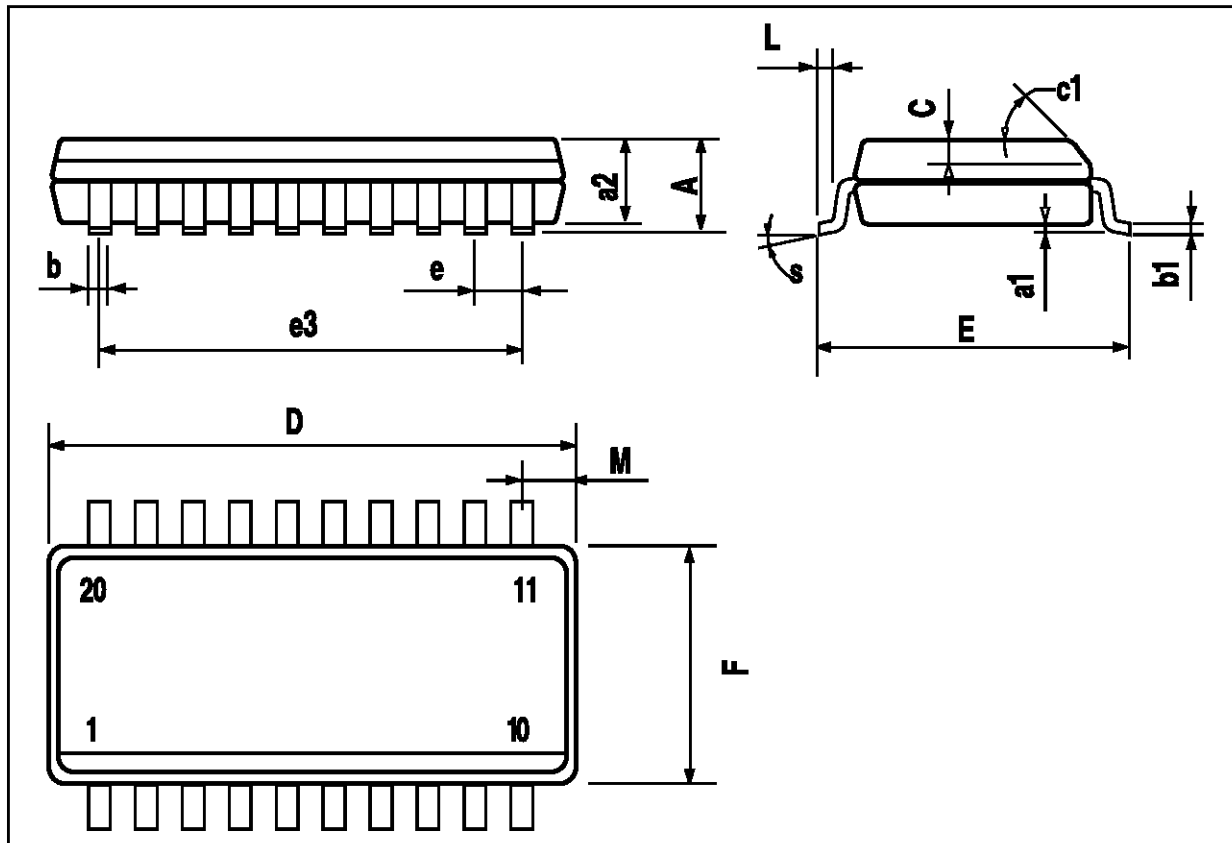
The treble control acts in a range of ± 14 dB in 2dB steps. The external capacitor determines with the internal resistor of 50k Ω the corner frequency of the treble response.

The four speaker attenuators can be controlled independently from 0 to -37.5dB, which allows the implementation of balance and fader a the four speaker system. The attenuation steps size is 1 db from 0 to -24dB and increases non linearly up to the maximum attenuation of 37.5dB. A special mute bit forces the speaker attenuator into the mute position.

All 4 outputs are low distortion push pull outputs, able to drive a load of 2k Ω .

SO20 PACKAGE MECHANICAL DATA

DIM.	mm			inch		
	MIN.	TYP.	MAX.	MIN.	TYP.	MAX.
A			2.65			0.104
a1	0.1		0.3	0.004		0.012
a2			2.45			0.096
b	0.35		0.49	0.014		0.019
b1	0.23		0.32	0.009		0.013
C		0.5			0.020	
c1	45 (typ.)					
D	12.6		13.0	0.496		0.512
E	10		10.65	0.394		0.419
e		1.27			0.050	
e3		11.43			0.450	
F	7.4		7.6	0.291		0.299
L	0.5		1.27	0.020		0.050
M			0.75			0.030
S	8 (max.)					



Information furnished is believed to be accurate and reliable. However, SGS-THOMSON Microelectronics assumes no responsibility for the consequences of use of such information nor for any infringement of patents or other rights of third parties which may result from its use. No license is granted by implication or otherwise under any patent or patent rights of SGS-THOMSON Microelectronics. Specifications mentioned in this publication are subject to change without notice. This publication supersedes and replaces all information previously supplied. SGS-THOMSON Microelectronics products are not authorized for use as critical components in life support devices or systems without express written approval of SGS-THOMSON Microelectronics.

© 1995 SGS-THOMSON Microelectronics - All Rights Reserved

SGS-THOMSON Microelectronics GROUP OF COMPANIES

Australia - Brazil - France - Germany - Hong Kong - Italy - Japan - Korea - Malaysia - Malta - Morocco - The Netherlands - Singapore - Spain - Sweden - Switzerland - Taiwan - Thailand - United Kingdom - U.S.A.