

# DATA SHEET

## **TDA4866**

**Full bridge current driven vertical  
deflection booster**

Product specification  
Supersedes data of 1995 Aug 31  
File under Integrated Circuits, IC02

1996 Oct 10

# Full bridge current driven vertical deflection booster

## TDA4866

### FEATURES

- Fully integrated, few external components
- No additional components in combination with the deflection controller TDA4850/51/55
- Pre-amplifier with differential high CMRR current mode inputs
- Low offsets
- High linear sawtooth signal amplification
- High efficient DC-coupled vertical output bridge circuit
- Powerless vertical shift
- High deflection frequency up to 140 Hz

- Power supply and flyback supply voltage independent adjustable to optimize power consumption and flyback time
- Excellent transition behaviour during flyback
- Guard circuit for screen protection.

### GENERAL DESCRIPTION

The TDA4866 is a power amplifier for use in 90 degree colour vertical deflection systems for frame frequencies of 50 to 140 Hz. The circuit provides a high CMRR current driven differential input. Due to the bridge configuration of the two output stages DC-coupling of the deflection coil is achieved. In conjunction with TDA4850/51/55 the ICs offer an extremely advanced system solution.

### QUICK REFERENCE DATA

| SYMBOL                       | PARAMETER  | CONDITIONS | MIN. | TYP. | MAX. | UNIT |
|------------------------------|--|------------|------|------|------|------|
| <b>DC supply; note 1</b>     |  |            |      |      |      |      |
| $V_P$                        | supply voltage (pin 3)                                     |            | 8.2  | –    | 25   | V    |
| $V_{FB}$                     | flyback supply voltage (pin 7)                             | note 2     | –    | –    | 60   | V    |
| $I_q$                        | quiescent current (pin 7)                                  |            | –    | 7    | 10   | mA   |
| <b>Vertical circuit</b>      |  |            |      |      |      |      |
| $I_{defl}$                   | deflection current (peak-to-peak value; pins 4 and 6)      |            | 0.6  | –    | 2    | A    |
| $I_{id}$                     | differential input current (peak-to-peak value)            | note 3     | –    | ±500 | ±600 | µA   |
| <b>Flyback generator</b>     |  |            |      |      |      |      |
| $I_{FB}$                     | maximum current during flyback (peak-to-peak value; pin 7) |            | –    | –    | 2    | A    |
| <b>Guard circuit; note 1</b> |  |            |      |      |      |      |
| $V_8$                        | guard voltage  | guard on   | 7.5  | 8.5  | 10   | V    |
| $I_8$                        | guard current  | guard on   | 5    | –    | –    | mA   |

### Notes

1. Voltages refer to pin 5 (GND).
2. Up to 60 V  $\geq V_{FB} \geq 40$  V a decoupling capacitor  $C_{FB} = 22 \mu\text{F}$  (between pin 7 and pin 5) and a resistor  $R_{FB} = 100 \Omega$  (between pin 7 and  $V_{FB}$ ) are required (see Fig.4).
3. Differential input current  $I_{id} = I_1 - I_2$ .

### ORDERING INFORMATION

| TYPE NUMBER | PACKAGE |   |          |
|-------------|---------|---|----------|
|             | NAME    | DESCRIPTION                                   | VERSION  |
| TDA4866     | SIL9P   | plastic single in-line power package; 9 leads | SOT131-2 |

# Full bridge current driven vertical deflection booster

TDA4866

## BLOCK DIAGRAM

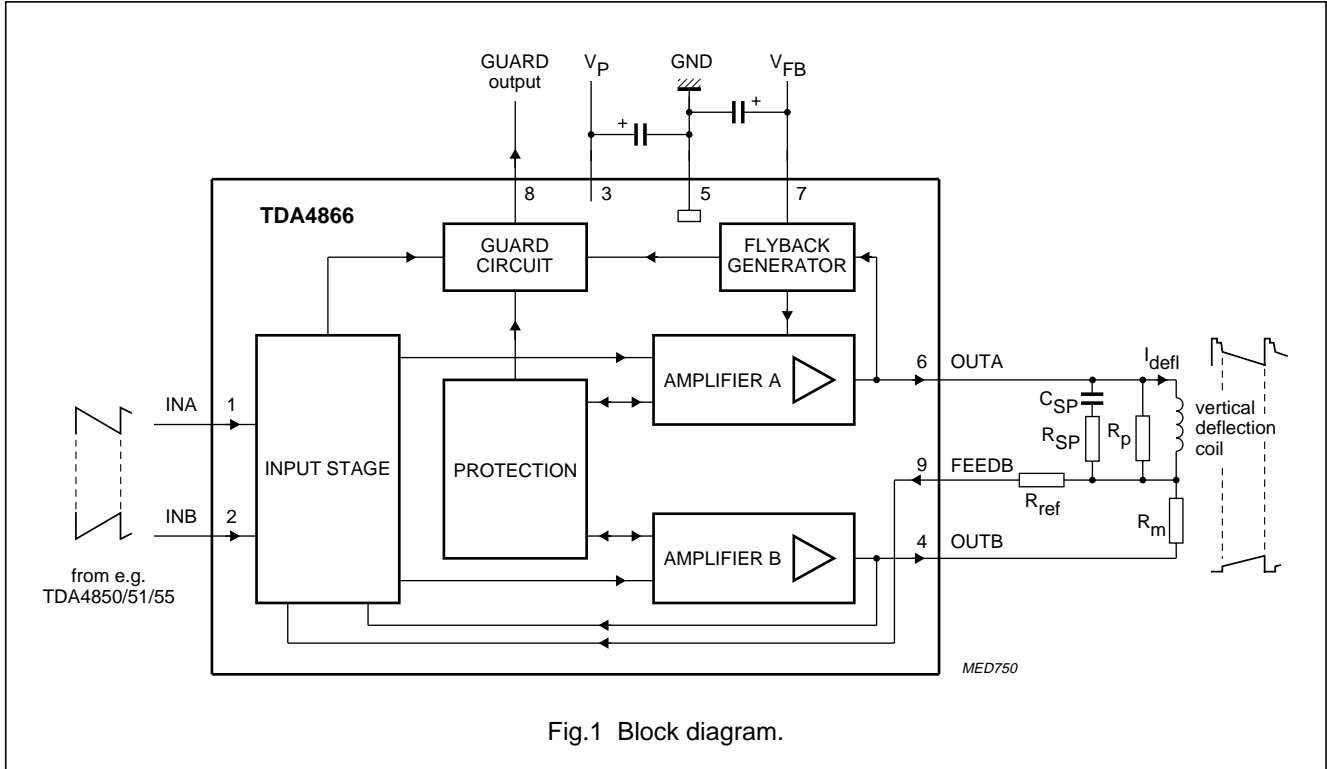


Fig.1 Block diagram.

## PINNING

| SYMBOL          | PIN | DESCRIPTION            |
|-----------------|-----|------------------------|
| INA             | 1   | input A                |
| INB             | 2   | input B                |
| V <sub>P</sub>  | 3   | supply voltage         |
| OUTB            | 4   | output B               |
| GND             | 5   | ground                 |
| OUTA            | 6   | output A               |
| V <sub>FB</sub> | 7   | flyback supply voltage |
| GUARD           | 8   | guard output           |
| FEEDB           | 9   | feedback input         |

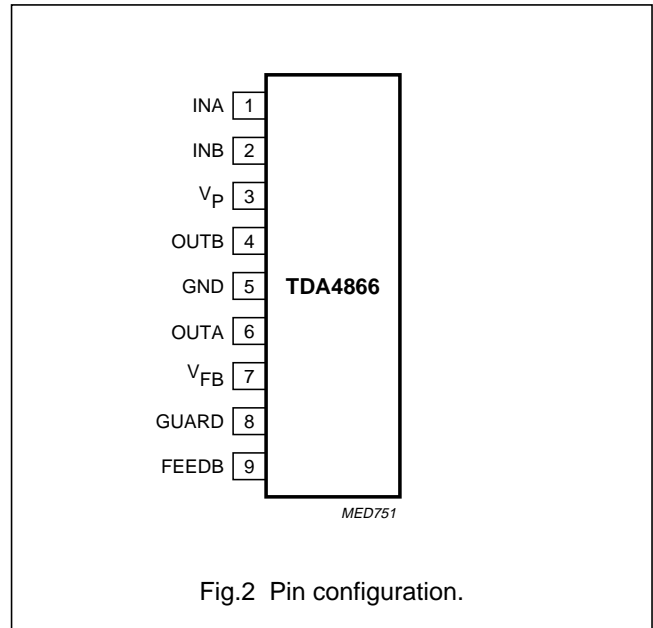


Fig.2 Pin configuration.

## Full bridge current driven vertical deflection booster

TDA4866

### FUNCTIONAL DESCRIPTION

The TDA4866 consists of a differential input stage, two output stages, a flyback generator, a protection circuit for the output stages and a guard circuit.

#### Differential input stage

The differential input stage has a high CMRR differential current mode input (pins 1 and 2) that results in a high electro-magnetic immunity and is especially suitable for driver units with differential (e.g. TDA4850/51/55) and single ended current signals. Driver units with voltage outputs are simply applicable as well (e.g. two additional resistors are required).

The differential input stage delivers the driver signals for the output stages.

#### Output stages

The two output stages are current driven in opposite phase and operate in combination with the deflection coil in a full bridge configuration. Therefore the TDA4866 requires no external coupling capacitor (e.g. 2200  $\mu\text{F}$ ) and operates with one supply voltage  $V_P$  and a separate adjustable flyback supply voltage  $V_{FB}$  only. The deflection current through the coil ( $I_{\text{defl}}$ ) is measured with the resistor  $R_m$  which produces a voltage drop ( $U_{rm}$ ) of:  $U_{rm} \approx R_m \times I_{\text{defl}}$ . At the feedback input (pin 9) a part of  $I_{\text{defl}}$  is fed back to the input stage. The feedback input has a current input characteristic which holds the differential voltage between pin 9 and the output pin 4 on zero. Therefore the feedback current ( $I_g$ ) through  $R_{\text{ref}}$  is:

$$I_g \approx \frac{R_m}{R_{\text{ref}}} \times I_{\text{defl}}$$

The input stage directly compares the driver currents into pins 1 and 2 with the feedback current  $I_g$ . Any difference of this comparison leads to a more or less driver current for the output stages. The relation between the deflection current and the differential input current ( $I_{\text{id}}$ ) is:

$$I_{\text{id}} = I_g \approx \frac{R_m}{R_{\text{ref}}} \times I_{\text{defl}}$$

Due to the feedback loop gain ( $V_{U \text{ loop}}$ ) and internal bondwire resistance ( $R_{\text{bo}}$ ) correction factors are required to determine the accurate value of  $I_{\text{defl}}$ :

$$I_{\text{defl}} = I_{\text{id}} \times \frac{R_{\text{ref}}}{R_m + R_{\text{bo}}} \times \left(1 - \frac{1}{V_{U \text{ loop}}}\right)$$

with  $R_{\text{bo}} \approx 70 \text{ m}\Omega$  and

$$\left(1 - \frac{1}{V_{U \text{ loop}}}\right) \approx 0.98$$

for  $I_{\text{defl}} = 0.7 \text{ A}$ .

The deflection current can be adjusted up to  $\pm 1 \text{ A}$  by varying  $R_{\text{ref}}$  when  $R_m$  is fixed to  $1 \Omega$ .

High bandwidth and excellent transition behaviour is achieved due to the transimpedance principle this circuit works with.

#### Flyback generator

During flyback the flyback generator supplies the output stage A with the flyback voltage. This makes it possible to optimize power consumption (supply voltage  $V_P$ ) and flyback time (flyback voltage  $V_{FB}$ ). Due to the absence of a decoupling capacitor the flyback voltage is fully available.

In parallel with the deflection yoke and the damping resistor ( $R_p$ ) an additional RC combination ( $R_{SP}$ ;  $C_{SP}$ ) is necessary to achieve an optimized flyback behaviour.

#### Protection

The output stages are protected against:

- thermal overshoot
- short-circuit of the coil (pins 4 and 6).

#### Guard circuit

The internal guard circuit provides a blanking signal for the CRT. The guard signal is active HIGH:

- at thermal overshoot
- when feedback loop is out of range
- during flyback.

The internal guard circuit will not be activated, if the input signals on pins 1 and 2 delivered from the driver circuit are out of range or at short-circuit of the coil (pins 4 and 6).

For this reason an external guard circuit can be applied to detect failures of the deflection (see Fig.6). This circuit will be activated when flyback pulses are missing, which is the indication of any abnormal operation.

# Full bridge current driven vertical deflection booster

TDA4866

## LIMITING VALUES

In accordance with the Absolute Maximum Rating System (IEC 134); voltages referenced to pin 5 (GND); unless otherwise specified.

| SYMBOL     | PARAMETER                                    | MIN. | MAX.        | UNIT |
|------------|--|------|-------------|------|
| $V_P$      | supply voltage (pin 3)                       | 0    | 30          | V    |
| $V_{FB}$   | flyback supply voltage (pin 7)               | 0    | 60          | V    |
| $I_{FB}$   | flyback supply current                       | 0    | $\pm 1.8$   | A    |
| $V_1, V_2$ | input voltage                                | 0    | $V_P$       | V    |
| $I_1, I_2$ | input current                                | 0    | $\pm 5$     | mA   |
| $V_4, V_6$ | output voltage                               | 0    | $V_P$       | V    |
| $I_4, I_6$ | output current (note 1)                      | 0    | $\pm 1.8$   | A    |
| $V_9$      | feedback voltage                             | 0    | $V_P$       | V    |
| $I_9$      | feedback current                             | 0    | $\pm 5$     | mA   |
| $V_8$      | guard voltage (note 2)                       | 0    | $V_P + 0.4$ | V    |
| $I_8$      | guard current                                | 0    | $\pm 5$     | mA   |
| $T_{stg}$  | storage temperature                          | -20  | +150        | °C   |
| $T_{amb}$  | operating ambient temperature                | -20  | +75         | °C   |
| $T_j$      | junction temperature (note 3)                | -20  | +150        | °C   |
| $V_{es}$   | electrostatic handling for all pins (note 4) | -500 | +500        | V    |

## Notes

1. Maximum output currents  $I_4$  and  $I_6$  are limited by current protection.
2. For  $V_P > 13$  V the guard voltage  $V_8$  is limited to 13 V.
3. Internally limited by thermal protection; switching point  $\geq 150$  °C.
4. Equivalent to discharging a 200 pF capacitor through a 0  $\Omega$  series resistor.

## THERMAL CHARACTERISTICS

| SYMBOL         | PARAMETER   | VALUE | UNIT |
|----------------|---|-------|------|
| $R_{th\ j-mb}$ | thermal resistance from junction to mounting base | 4     | K/W  |

# Full bridge current driven vertical deflection booster

TDA4866

## CHARACTERISTICS

$V_P = 15\text{ V}$ ;  $T_{\text{amb}} = 25\text{ }^\circ\text{C}$ ;  $V_{\text{FB}} = 40\text{ V}$ ; voltages referenced to pin 5 (GND); parameters are measured in test circuit (see Fig.3); unless otherwise specified.

| SYMBOL                       | PARAMETER   | CONDITIONS   | MIN.      | TYP.      | MAX.      | UNIT            |
|------------------------------|---|--|-----------|-----------|-----------|-----------------|
| $V_P$                        | supply voltage (pin 3)  |  | 8.2       | –         | 25        | V               |
| $V_{\text{FB}}$              | flyback supply voltage (pin 7)  | note 1   | $V_P + 6$ | –         | 60        | V               |
| $I_{\text{FB}}$              | quiescent feedback current (pin 7)  | no load; no signal   | –         | 7         | 10        | mA              |
| <b>Input stage</b>           |   |  |           |           |           |                 |
| $I_{\text{id(p-p)}}$         | differential input current ( $I_{\text{id}} = I_1 - I_2$ ) (peak-to-peak value) |  | –         | $\pm 500$ | $\pm 600$ | $\mu\text{A}$   |
| $I_{1, 2(\text{p-p})}$       | single ended input current (peak-to-peak value)                                 | note 2   | 0         | $\pm 300$ | $\pm 600$ | $\mu\text{A}$   |
| CMRR                         | common mode rejection ratio   | note 3   | –         | –54       | –         | dB              |
| $V_1$                        | input clamp voltage   | $I_1 = 300\text{ }\mu\text{A}$   | 2.7       | 3.0       | 3.3       | V               |
| $V_2$                        | input clamp voltage   | $I_2 = 300\text{ }\mu\text{A}$   | 2.7       | 3.0       | 3.3       | V               |
| $\text{TC}_{i,1}$            | input clamp signal TC on pin 1  |  | 0         | –         | $\pm 800$ | $\mu\text{V/K}$ |
| $\text{TC}_{i,2}$            | input clamp signal TC on pin 2  |  | 0         | –         | $\pm 800$ | $\mu\text{V/K}$ |
| $V_1 - V_2$                  | differential input voltage  | $I_{\text{id}} = 0$  | 0         | –         | $\pm 10$  | mV              |
| $I_9$                        | feedback current  |  | –         | $\pm 500$ | $\pm 600$ | $\mu\text{A}$   |
| $V_9$                        | feedback voltage  |  | 1         | –         | $V_P - 1$ | V               |
| $I_{\text{id(offset)}}$      | differential input offset current ( $I_{\text{id(offset)}} = I_1 - I_2$ )       | $I_{\text{defl}} = 0$ ; $R_{\text{ref}} = 1.5\text{ k}\Omega$ ; $R_{\text{m}} = 1\text{ }\Omega$ | 0         | –         | $\pm 20$  | $\mu\text{A}$   |
| $C_{i\text{INA}}$            | input capacity pin 1 referenced to GND  |  | –         | –         | 5         | pF              |
| $C_{i\text{INB}}$            | input capacity pin 2 referenced to GND  |  | –         | –         | 5         | pF              |
| <b>Output stages A and B</b> |   |  |           |           |           |                 |
| $I_4$                        | output current  |  | –         | –         | $\pm 1$   | A               |
| $I_6$                        | output current  |  | –         | –         | $\pm 1$   | A               |
| $V_6$                        | output A saturation voltage to GND  | $I_6 = 0.7\text{ A}$   | –         | 1.3       | 1.5       | V               |
|                              |   | $I_6 = 1.0\text{ A}$   | –         | 1.6       | 1.8       | V               |
| $V_{6,3}$                    | output A saturation voltage to $V_P$  | $I_6 = 0.7\text{ A}$   | –         | 2.3       | 2.9       | V               |
|                              |   | $I_6 = 1.0\text{ A}$   | –         | 2.7       | 3.3       | V               |
| $V_4$                        | output B saturation voltage to GND  | $I_4 = 0.7\text{ A}$   | –         | 1.3       | 1.5       | V               |
|                              |   | $I_4 = 1.0\text{ A}$   | –         | 1.6       | 1.8       | V               |
| $V_{4,3}$                    | output B saturation voltage to $V_P$  | $I_4 = 0.7\text{ A}$   | –         | 1.0       | 1.6       | V               |
|                              |   | $I_4 = 1.0\text{ A}$   | –         | 1.3       | 1.9       | V               |
| LE                           | linearity error   | $I_{\text{defl}} = \pm 0.7\text{ A}$ ; note 4  | –         | –         | 2         | %               |
| $V_4$                        | DC output voltage   | $I_{\text{id}} = 0\text{ A}$ ; closed loop   | 6.6       | 7.2       | 7.8       | V               |
| $V_6$                        | DC output voltage   | $I_{\text{id}} = 0\text{ A}$ ; closed loop   | 6.6       | 7.2       | 7.8       | V               |
| $G_{\text{oi}}$              | open loop current gain ( $I_4, 6/I_{\text{id}}$ )                               | $I_4, 6 < 100\text{ mA}$ ; note 5  | –         | 100       | –         | dB              |
| $G_{\text{ofb}}$             | open loop current gain ( $I_4, 6/I_9$ )   | $I_4, 6 < 100\text{ mA}$ ; note 5  | –         | 100       | –         | dB              |
| $G_{\text{ifb}}$             | current ratio ( $I_{\text{id}}/I_9$ )   | closed loop  | –         | –0.2      | –         | dB              |

# Full bridge current driven vertical deflection booster

TDA4866

| SYMBOL                   | PARAMETER  | CONDITIONS  | MIN.                 | TYP.    | MAX.                 | UNIT |
|--------------------------|--|---|----------------------|---------|----------------------|------|
| $I_{\text{def(ripple)}}$ | output ripple current as a function of supply ripple | $V_{\text{P(ripple)}} = \pm 0.5 \text{ V}$ ;<br>$I_{\text{id}} = 0$ ; closed loop | –                    | $\pm 1$ | –                    | mA   |
| <b>Flyback generator</b> |  |   |                      |         |                      |      |
| $V_{7,6}$                | voltage drop during flyback reverse                  | $I_{\text{def}} = 0.7 \text{ A}$  | –                    | –2.0    | –3.0                 | V    |
|                          |  | $I_{\text{def}} = 1.0 \text{ A}$  | –                    | –2.3    | –3.5                 | V    |
|                          | forward  | $I_{\text{def}} = 0.7 \text{ A}$  | –                    | +5.6    | +6.1                 | V    |
|                          |  | $I_{\text{def}} = 1.0 \text{ A}$  | –                    | +5.9    | +6.5                 | V    |
| $V_6$                    | switching on threshold voltage                       |   | $V_{\text{P}} - 1$   | –       | $V_{\text{P}} + 1.5$ | V    |
| $V_6$                    | switching off threshold voltage                      |   | $V_{\text{P}} - 1.5$ | –       | $V_{\text{P}} + 1$   | V    |
| $I_7$                    | flyback current during flyback                       |   | –                    | –       | $\pm 1$              | A    |
| <b>Guard circuit</b>     |  |   |                      |         |                      |      |
| $V_8$                    | output voltage                                       | guard on  | 7.5                  | 8.5     | 10                   | V    |
| $V_8$                    | output voltage                                       | guard on; $V_{\text{P}} = 8.2 \text{ V}$  | 6.9                  | –       | $V_{\text{P}} - 0.4$ | V    |
| $I_8$                    | output current                                       | guard on  | 5                    | –       | –                    | mA   |
| $V_8$                    | output voltage                                       | guard off   | –                    | –       | 0.4                  | V    |
| $I_8$                    | output current                                       | guard off; $V_8 = 5 \text{ V}$  | 0.5                  | 1       | 1.5                  | mA   |
| $V_{8(\text{ext.})}$     | allowable external voltage on pin 8                  |   | 0                    | –       | 13                   | V    |
|                          |  | $V_{\text{P}} \leq 13 \text{ V}$  | 0                    | –       | $V_{\text{P}} + 0.3$ | V    |

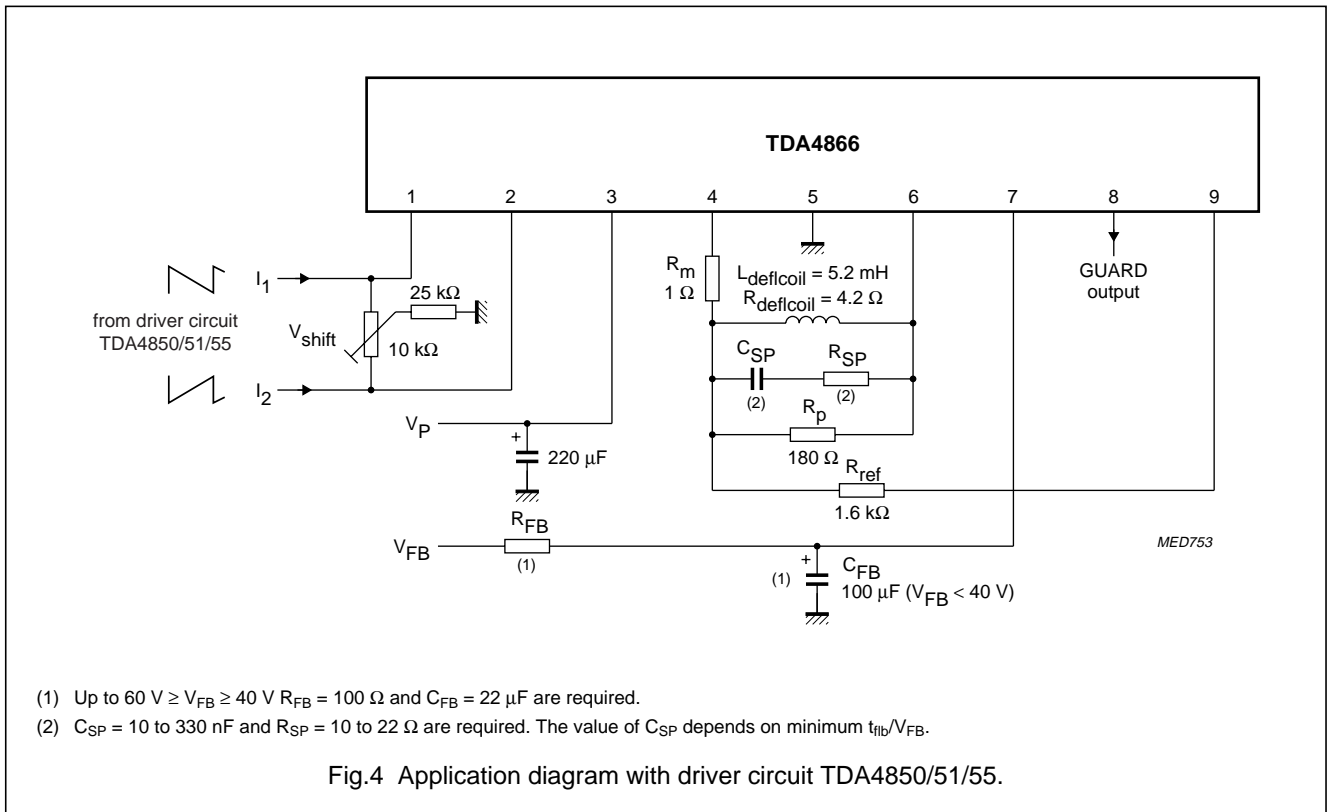
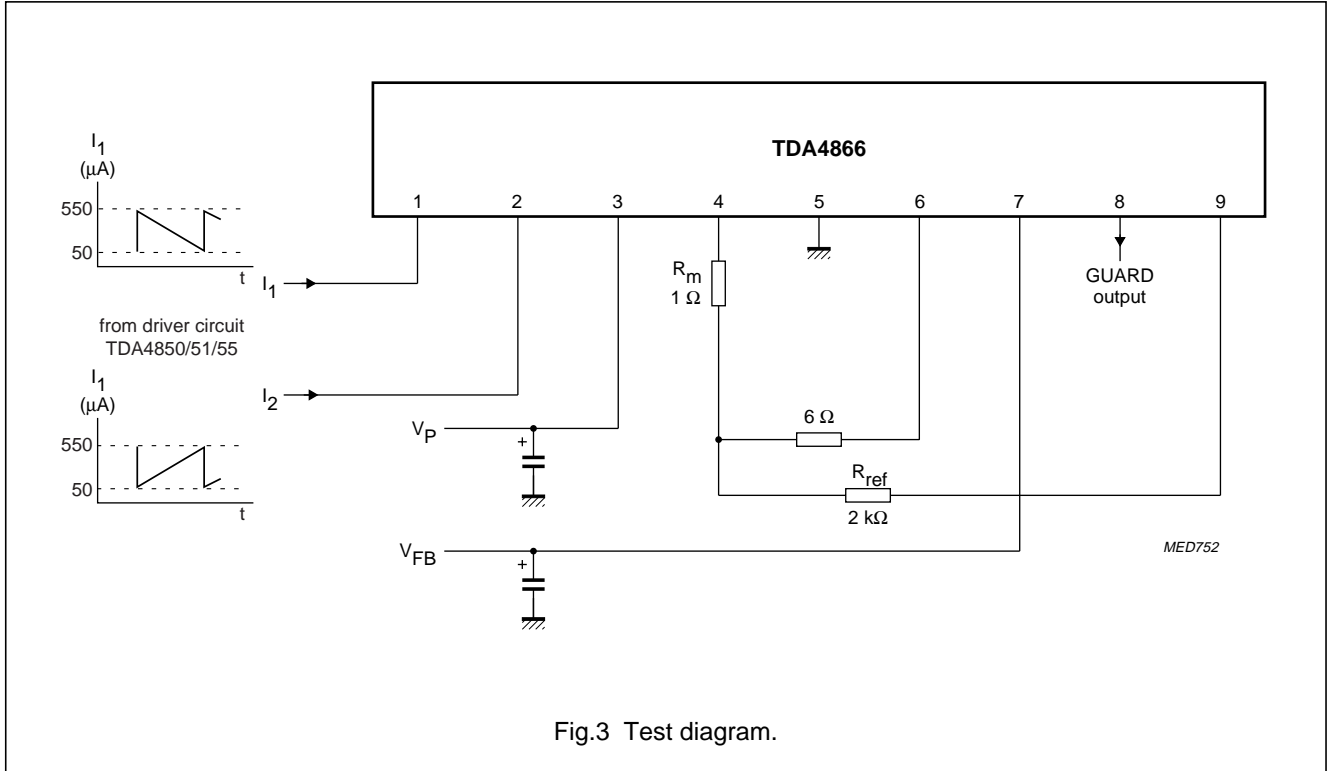
## Notes to the characteristics

- Up to  $60 \text{ V} \geq V_{\text{FB}} \geq 40 \text{ V}$  a decoupling capacitor  $C_{\text{FB}} = 22 \mu\text{F}$  (between pins 7 and 5) and a resistor  $R_{\text{FB}} = 100 \Omega$  (between pin 7 and  $V_{\text{FB}}$ ) are required (see Fig.4).
- Saturation voltages of output stages A and B can be increased in the event of negative input currents  $I_{1,2} < -500 \mu\text{A}$ .
- $D_i = \frac{I_{\text{deflc}}}{I_{\text{idc}}} \times \frac{I_{\text{id}}}{I_{\text{defl}}}$  with  $I_{\text{deflc}}$  = common mode deflection current and  $I_{\text{idc}}$  = common mode input current.
- Deviation of the output slope at a constant input slope.
- Frequency behaviour of  $G_{\text{oi}}$  and  $G_{\text{ofb}}$ :
  - 3 dB open-loop bandwidth ( $-45^\circ$ ) at 15 kHz; second pole ( $-135^\circ$ ) at 1.3 MHz.
  - open-loop gain at second pole ( $-135^\circ$ ) 55 dB.

# Full bridge current driven vertical deflection booster

TDA4866

## TEST AND APPLICATION INFORMATION





# Full bridge current driven vertical deflection booster

TDA4866

**Example**

| SYMBOL                               | VALUE                                     | UNIT        |
|--------------------------------------|---|-------------|
| <b>Values given from application</b> |   |             |
| $I_{defl(max)}$                      | 0.71                                      | A           |
| $L_{deflcoil}$                       | 5.2                                       | mH          |
| $R_{deflcoil}$                       | 5.4 [= 4.2 + 7% + $\Delta R(\vartheta)$ ] | $\Omega$    |
| $R_m$                                | 1 (+1%)                                   | $\Omega$    |
| $R_p$                                | 180                                       | $\Omega$    |
| $R_{ref}$                            | 1.6                                       | k $\Omega$  |
| $V_{FB}$                             | 35  | V           |
| $T_{amb}$                            | +50                                       | $^{\circ}C$ |
| $T_{deflcoil}$                       | +75                                       | $^{\circ}C$ |
| $R_{th j-mb}$                        | 4   | K/W         |
| $R_{th mb-amb}^{(1)}$                | 8   | K/W         |
| <b>Calculated values</b>             |   |             |
| $V_P$                                | 8.6                                       | V           |
| $t_{flb}$                            | 270                                       | $\mu s$     |
| $P_{tot}$                            | 3.65                                      | W           |
| $P_{defl}$                           | 0.9                                       | W           |
| $P_{IC}$                             | 2.75                                      | W           |
| $R_{th tot}$                         | 12  | K/W         |
| $T_{j(max)}^{(2)}$                   | +83                                       | $^{\circ}C$ |

**Notes**

1. A layer of silicon grease between the mounting base and the heatsink optimizes thermal resistance.
2.  $T_{j(max)} = P_{IC} \times (R_{th j-mb} + R_{th mb-amb}) + T_{amb}$

Calculation formula for supply voltage and power consumption

$$V_{b1} = V_{6,3} + R_{deflcoil} \times I_{defl(max)} - U'_L + R_m \times I_{defl(max)} + V_4$$

$$V_{b2} = V_6 + R_{deflcoil} \times I_{defl(max)} + U'_L + R_m \times I_{defl(max)} + V_{4,3}$$

for  $V_{b1} > V_{b2}$  :  $V_P = V_{b1}$

for  $V_{b2} > V_{b1}$  :  $V_P = V_{b2}$

with:

$$U'_L = L_{deflcoil} \times 2I_{defl(max)} \times f_v$$

$f_v$  = vertical deflection frequency.

$$P_{tot} = V_P \times \frac{I_{defl(max)}}{2} + V_P \times 0.03 \text{ A} + 0.1 \text{ W} + V_{FB} \times I_{FB}$$

$$P_{defl} = \frac{1}{3} (R_{deflcoil} + R_m) \times I_{defl(max)}^2$$

$$P_{IC} = P_{tot} - P_{defl}$$

$P_{IC}$  = power dissipation of the IC

$P_{defl}$  = power dissipation of the deflection coil

$P_{tot}$  = total power dissipation.

Calculation formula for flyback time ( $t_{flb}$ )

$$t_{flb} = \frac{L_{deflcoil}}{R_{deflcoil} + R_m} \times \ln \left( \frac{1 + \frac{(R_{deflcoil} + R_m) \times I_{defl(max)}}{V_{FB} + V_{7r} - V_{6r}}}{1 - \frac{(R_{deflcoil} + R_m) \times I_{defl(max)}}{V_{FB} - (V_{7f} - V_{6f})}} \right) + t_{flb(off)}$$

with:

$t_{flb(off)}$  = flyback switch off time = 50  $\mu s$  for this application ( $t_{flb(off)}$  depends on  $V_{FB}$ ,  $I_{defl(max)}$ ,  $L_{deflcoil}$  and  $C_{SP}$ ).

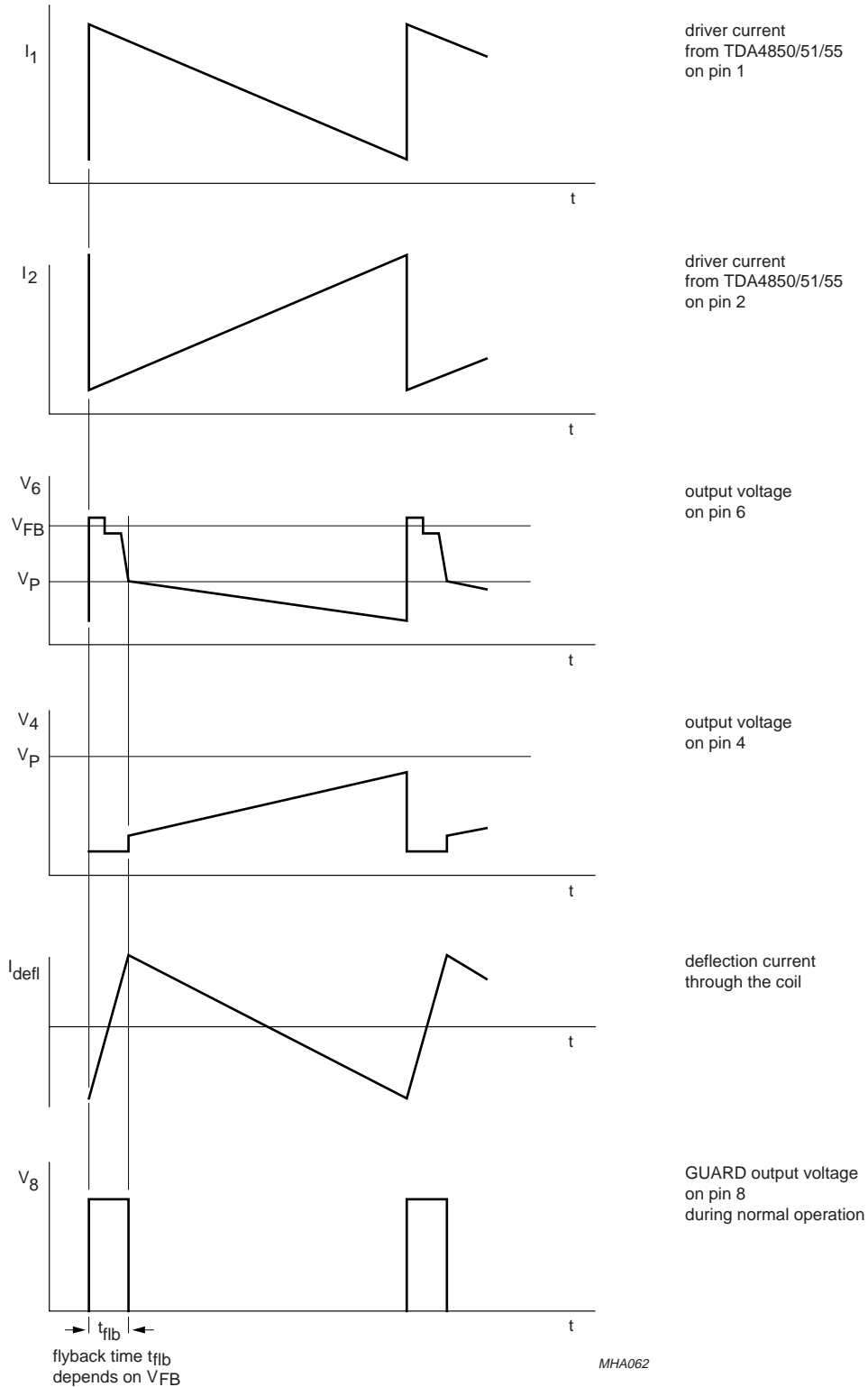
To achieve good noise suppression the following values for  $R_p$  are recommended:

**Recommended values**

| $L_{deflcoil}$<br>(mH) | $R_p$<br>( $\Omega$ ) |
|------------------------|-----------------------|
| 3                      | 100                   |
| 6                      | 180                   |
| 10                     | 240                   |
| 15                     | 390                   |

Full bridge current driven vertical deflection booster

TDA4866



MHA062

Fig.5 Timing diagram.

# Full bridge current driven vertical deflection booster

## TDA4866

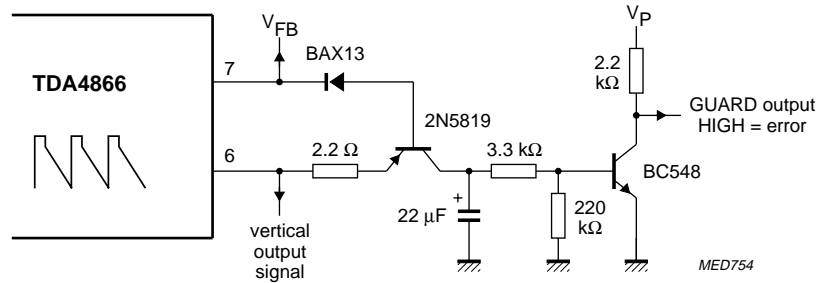


Fig.6 Application circuit for external guard signal generation.

# Full bridge current driven vertical deflection booster

## TDA4866

### INTERNAL PIN CONFIGURATION

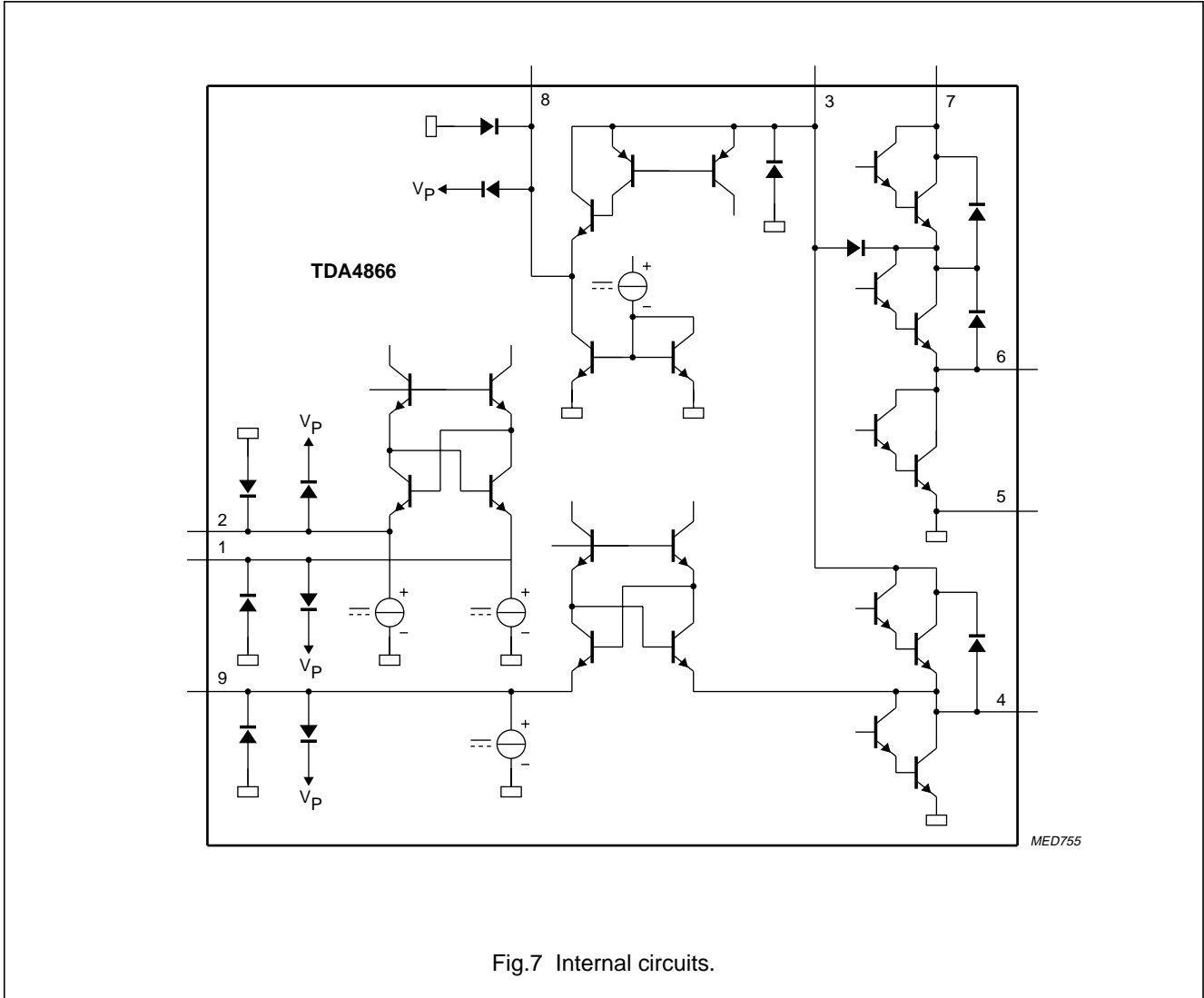


Fig.7 Internal circuits.

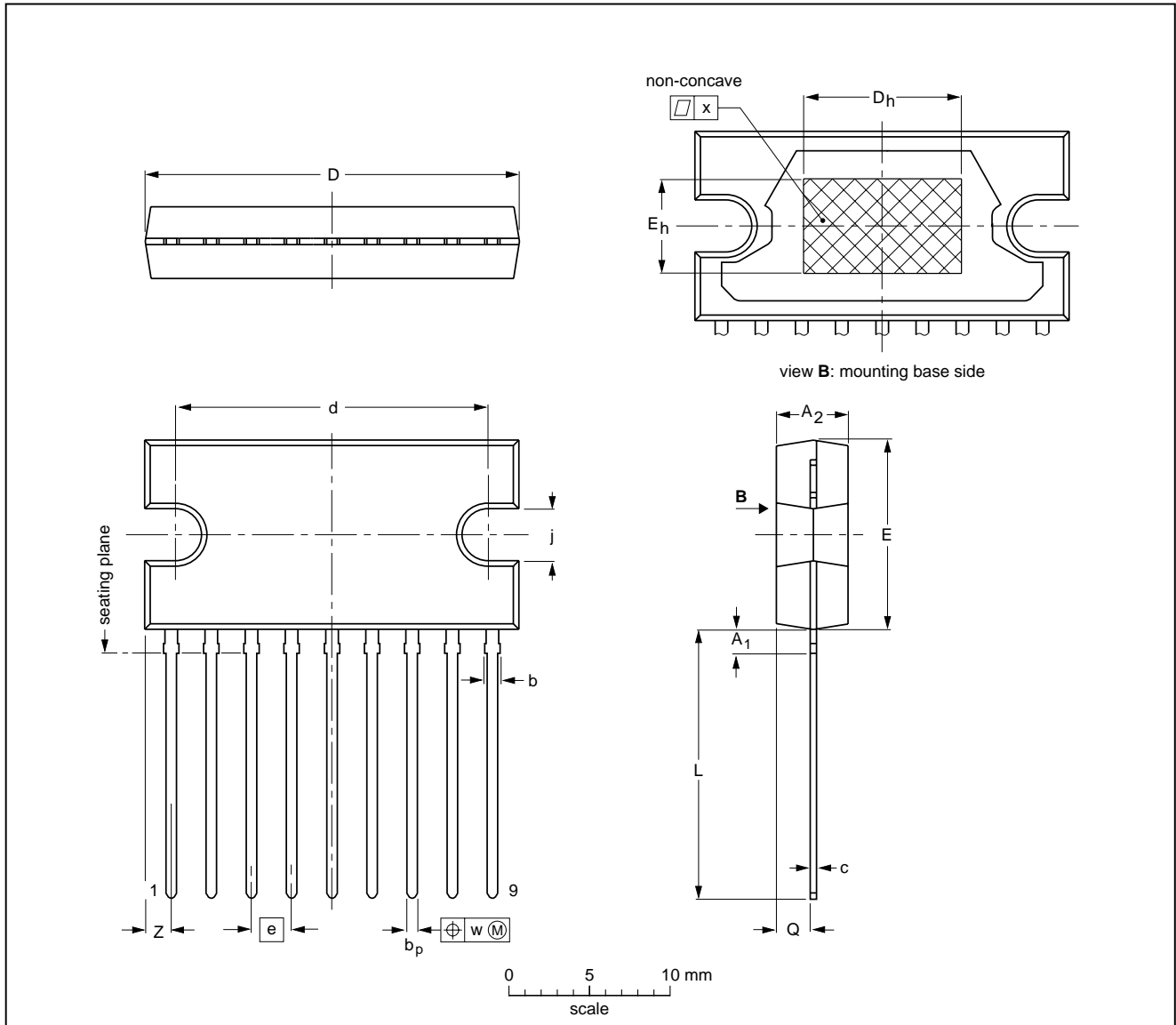
# Full bridge current driven vertical deflection booster

TDA4866

## PACKAGE OUTLINE

SIL9P: plastic single in-line power package; 9 leads

SOT131-2



**DIMENSIONS (mm are the original dimensions)**

| UNIT | A <sub>1</sub><br>max. | A <sub>2</sub> | b<br>max. | b <sub>p</sub> | c            | D <sup>(1)</sup> | d            | D <sub>h</sub> | E <sup>(1)</sup> | e    | E <sub>h</sub> | j          | L            | Q          | w    | x    | Z <sup>(1)</sup> |
|------|------------------------|----------------|-----------|----------------|--------------|------------------|--------------|----------------|------------------|------|----------------|------------|--------------|------------|------|------|------------------|
| mm   | 2.0                    | 4.6<br>4.2     | 1.1       | 0.75<br>0.60   | 0.48<br>0.38 | 24.0<br>23.6     | 20.0<br>19.6 | 10             | 12.2<br>11.8     | 2.54 | 6              | 3.4<br>3.1 | 17.2<br>16.5 | 2.1<br>1.8 | 0.25 | 0.03 | 2.00<br>1.45     |

**Note**

1. Plastic or metal protrusions of 0.25 mm maximum per side are not included.

| OUTLINE VERSION | REFERENCES |       |      |  | EUROPEAN PROJECTION | ISSUE DATE           |
|-----------------|------------|-------|------|--|---------------------|----------------------|
|                 | IEC        | JEDEC | EIAJ |  |                     |                      |
| SOT131-2        |            |       |      |  |                     | 92-11-17<br>95-03-11 |

# Full bridge current driven vertical deflection booster

TDA4866

## SOLDERING

### Plastic single in-line packages

BY DIP OR WAVE

The maximum permissible temperature of the solder is 260 °C; this temperature must not be in contact with the joint for more than 5 s. The total contact time of successive solder waves must not exceed 5 s.

The device may be mounted up to the seating plane, but the temperature of the plastic body must not exceed the specified storage maximum. If the printed-circuit board has been pre-heated, forced cooling may be necessary immediately after soldering to keep the temperature within the permissible limit.

### REPAIRING SOLDERED JOINTS

Apply the soldering iron below the seating plane (or not more than 2 mm above it). If its temperature is below 300 °C, it must not be in contact for more than 10 s; if between 300 and 400 °C, for not more than 5 s.

## DEFINITIONS

| Data sheet status   |   |
|---|---|
| Objective specification   | This data sheet contains target or goal specifications for product development.       |
| Preliminary specification   | This data sheet contains preliminary data; supplementary data may be published later. |
| Product specification   | This data sheet contains final product specifications.                                |
| Limiting values   |   |
| Limiting values given are in accordance with the Absolute Maximum Rating System (IEC 134). Stress above one or more of the limiting values may cause permanent damage to the device. These are stress ratings only and operation of the device at these or at any other conditions above those given in the Characteristics sections of the specification is not implied. Exposure to limiting values for extended periods may affect device reliability. |   |
| Application information   |   |
| Where application information is given, it is advisory and does not form part of the specification.   |   |

## LIFE SUPPORT APPLICATIONS

These products are not designed for use in life support appliances, devices, or systems where malfunction of these products can reasonably be expected to result in personal injury. Philips customers using or selling these products for use in such applications do so at their own risk and agree to fully indemnify Philips for any damages resulting from such improper use or sale.

---

Full bridge current driven vertical  
deflection booster

---

TDA4866

**NOTES**

# Philips Semiconductors – a worldwide company

**Argentina:** see South America

**Australia:** 34 Waterloo Road, NORTH RYDE, NSW 2113,  
Tel. +61 2 9805 4455, Fax. +61 2 9805 4466

**Austria:** Computerstr. 6, A-1101 WIEN, P.O. Box 213,  
Tel. +43 1 60 101, Fax. +43 1 60 101 1210

**Belarus:** Hotel Minsk Business Center, Bld. 3, r. 1211, Volodarski Str. 6,  
220050 MINSK, Tel. +375 172 200 733, Fax. +375 172 200 773

**Belgium:** see The Netherlands

**Brazil:** see South America

**Bulgaria:** Philips Bulgaria Ltd., Energoproject, 15th floor,  
51 James Bourchier Blvd., 1407 SOFIA,  
Tel. +359 2 689 211, Fax. +359 2 689 102

**Canada:** PHILIPS SEMICONDUCTORS/COMPONENTS,  
Tel. +1 800 234 7381

**China/Hong Kong:** 501 Hong Kong Industrial Technology Centre,  
72 Tat Chee Avenue, Kowloon Tong, HONG KONG,  
Tel. +852 2319 7888, Fax. +852 2319 7700

**Colombia:** see South America

**Czech Republic:** see Austria

**Denmark:** Prags Boulevard 80, PB 1919, DK-2300 COPENHAGEN S,  
Tel. +45 32 88 2636, Fax. +45 31 57 1949

**Finland:** Sinikalliontie 3, FIN-02630 ESPOO,  
Tel. +358 9 615800, Fax. +358 9 61580/xxx

**France:** 4 Rue du Port-aux-Vins, BP317, 92156 SURESNES Cedex,  
Tel. +33 1 40 99 6161, Fax. +33 1 40 99 6427

**Germany:** Hammerbrookstraße 69, D-20097 HAMBURG,  
Tel. +49 40 23 53 60, Fax. +49 40 23 536 300

**Greece:** No. 15, 25th March Street, GR 17778 TAVROS/ATHENS,  
Tel. +30 1 4894 339/239, Fax. +30 1 4814 240

**Hungary:** see Austria

**India:** Philips INDIA Ltd, Shivsagar Estate, A Block, Dr. Annie Besant Rd.  
Worli, MUMBAI 400 018, Tel. +91 22 4938 541, Fax. +91 22 4938 722

**Indonesia:** see Singapore

**Ireland:** Newstead, Clonskeagh, DUBLIN 14,  
Tel. +353 1 7640 000, Fax. +353 1 7640 200

**Israel:** RAPAC Electronics, 7 Kehilat Saloniki St, TEL AVIV 61180,  
Tel. +972 3 645 0444, Fax. +972 3 649 1007

**Italy:** PHILIPS SEMICONDUCTORS, Piazza IV Novembre 3,  
20124 MILANO, Tel. +39 2 6752 2531, Fax. +39 2 6752 2557

**Japan:** Philips Bldg 13-37, Kohnan 2-chome, Minato-ku, TOKYO 108,  
Tel. +81 3 3740 5130, Fax. +81 3 3740 5077

**Korea:** Philips House, 260-199 Itaewon-dong, Yongsan-ku, SEOUL,  
Tel. +82 2 709 1412, Fax. +82 2 709 1415

**Malaysia:** No. 76 Jalan Universiti, 46200 PETALING JAYA, SELANGOR,  
Tel. +60 3 750 5214, Fax. +60 3 757 4880

**Mexico:** 5900 Gateway East, Suite 200, EL PASO, TEXAS 79905,  
Tel. +9-5 800 234 7381

**Middle East:** see Italy

**Netherlands:** Postbus 90050, 5600 PB EINDHOVEN, Bldg. VB,  
Tel. +31 40 27 82785, Fax. +31 40 27 88399

**New Zealand:** 2 Wagener Place, C.P.O. Box 1041, AUCKLAND,  
Tel. +64 9 849 4160, Fax. +64 9 849 7811

**Norway:** Box 1, Manglerud 0612, OSLO,  
Tel. +47 22 74 8000, Fax. +47 22 74 8341

**Philippines:** Philips Semiconductors Philippines Inc.,  
106 Valero St. Salcedo Village, P.O. Box 2108 MCC, MAKATI,  
Metro MANILA, Tel. +63 2 816 6380, Fax. +63 2 817 3474

**Poland:** Ul. Lukiska 10, PL 04-123 WARSZAWA,  
Tel. +48 22 612 2831, Fax. +48 22 612 2327

**Portugal:** see Spain

**Romania:** see Italy

**Russia:** Philips Russia, Ul. Usatcheva 35A, 119048 MOSCOW,  
Tel. +7 095 247 9145, Fax. +7 095 247 9144

**Singapore:** Lorong 1, Toa Payoh, SINGAPORE 1231,  
Tel. +65 350 2538, Fax. +65 251 6500

**Slovakia:** see Austria

**Slovenia:** see Italy

**South Africa:** S.A. PHILIPS Pty Ltd., 195-215 Main Road Martindale,  
2092 JOHANNESBURG, P.O. Box 7430 Johannesburg 2000,  
Tel. +27 11 470 5911, Fax. +27 11 470 5494

**South America:** Rua do Rocio 220, 5th floor, Suite 51,  
04552-903 São Paulo, SÃO PAULO - SP, Brazil,  
Tel. +55 11 821 2333, Fax. +55 11 829 1849

**Spain:** Balmes 22, 08007 BARCELONA,  
Tel. +34 3 301 6312, Fax. +34 3 301 4107

**Sweden:** Kottbygatan 7, Akalla, S-16485 STOCKHOLM,  
Tel. +46 8 632 2000, Fax. +46 8 632 2745

**Switzerland:** Allmendstrasse 140, CH-8027 ZÜRICH,  
Tel. +41 1 488 2686, Fax. +41 1 481 7730

**Taiwan:** PHILIPS TAIWAN Ltd., 23-30F, 66,  
Chung Hsiao West Road, Sec. 1, P.O. Box 22978,  
TAIPEI 100, Tel. +886 2 382 4443, Fax. +886 2 382 4444

**Thailand:** PHILIPS ELECTRONICS (THAILAND) Ltd.,  
209/2 Sanpavuth-Bangna Road Prakanong, BANGKOK 10260,  
Tel. +66 2 745 4090, Fax. +66 2 398 0793

**Turkey:** Talatpasa Cad. No. 5, 80640 GÜLTEPE/ISTANBUL,  
Tel. +90 212 279 2770, Fax. +90 212 282 6707

**Ukraine:** PHILIPS UKRAINE, 4 Patrice Lumumba str., Building B, Floor 7,  
252042 KIEV, Tel. +380 44 264 2776, Fax. +380 44 268 0461

**United Kingdom:** Philips Semiconductors Ltd., 276 Bath Road, Hayes,  
MIDDLESEX UB3 5BX, Tel. +44 181 730 5000, Fax. +44 181 754 8421

**United States:** 811 East Arques Avenue, SUNNYVALE, CA 94088-3409,  
Tel. +1 800 234 7381

**Uruguay:** see South America

**Vietnam:** see Singapore

**Yugoslavia:** PHILIPS, Trg N. Pasica 5/v, 11000 BEOGRAD,  
Tel. +381 11 625 344, Fax. +381 11 635 777

**For all other countries apply to:** Philips Semiconductors, Marketing & Sales Communications,  
Building BE-p, P.O. Box 218, 5600 MD EINDHOVEN, The Netherlands, Fax. +31 40 27 24825

**Internet:** <http://www.semiconductors.philips.com>

© Philips Electronics N.V. 1996

SCA52

All rights are reserved. Reproduction in whole or in part is prohibited without the prior written consent of the copyright owner.

The information presented in this document does not form part of any quotation or contract, is believed to be accurate and reliable and may be changed without notice. No liability will be accepted by the publisher for any consequence of its use. Publication thereof does not convey nor imply any license under patent- or other industrial or intellectual property rights.

Printed in The Netherlands

537021/1200/03/pp16

Date of release: 1996 Oct 10

Document order number: 9397 750 01013

*Let's make things better.*

**Philips**  
Semiconductors



**PHILIPS**