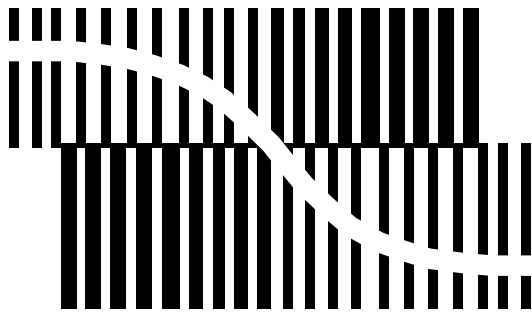


# DATA SHEET



BITSTREAM CONVERSION

## **TDA1548T**

Bitstream continuous calibration  
filter-DAC with headphone driver  
and DSP

Product specification  
Supersedes data of 1995 Aug 02  
File under Integrated Circuits, IC01

1995 Nov 15

# Bitstream continuous calibration filter-DAC with headphone driver and DSP

TDA1548T

## FEATURES PRODUCT SPECIFICATION

### Easy application

- Only first-order analog post-filtering required
- Headphone amplifiers and digital filter integrated
- Component saving common headphone output
- Selectable system clock (SYSCLK) 64f<sub>s</sub>, 256f<sub>s</sub> or 384f<sub>s</sub>
- 16, 18 or 20 bits I<sup>2</sup>S-bus or LSB justified serial input format
- Input pins suitable with 5 V low supply voltage interfacing
- Small package (SSOP28)
- Single rail supply (3 V).

### High performance

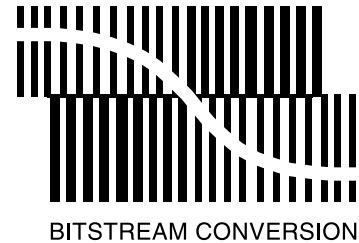
- Superior signal-to-noise ratio
- Wide dynamic range
- Continuous calibration digital-to-analog conversion combined with noise shaping technique.

### Features

- Low power dissipation
- Digital volume control
- Soft mute
- Digital tone control (Bass Boost and Treble)
- Digital de-emphasis
- Analog control of digital sound control functions.

## GENERAL DESCRIPTION

The TDA1548T is a dual CMOS digital-to-analog converter (DAC) with up-sampling filter and noise shaper and



integrated headphone driver featuring unique signal processing functions. The digital processing features are of high sound processing quality due to the wide dynamic range of the bitstream conversion technique.

The TDA1548T supports the I<sup>2</sup>S-bus data input mode with word lengths of up to 20 bits and the LSB justified serial data input format with word lengths of 16, 18 or 20 bits. The clock system is selectable (64f<sub>s</sub>, 256f<sub>s</sub> or 384f<sub>s</sub>) by means of selection pins. Two cascaded half band filters, linear interpolator and a sample-and-hold function increase the oversampling rate from 1f<sub>s</sub> to 64f<sub>s</sub>. A second-order noise shaper converts this oversampled data into a bitstream for the 5-bit continuous calibration DACs.

On board amplifiers convert the output current to a voltage signal capable of driving a headphone or line output. The common operational amplifier application eliminates the need for capacitors.

The TDA1548T has some sound processing functions which are controllable by a potentiometer. These functions are volume, bass boost and treble. The flat/min/max switch can also be controlled by a potentiometer. The analog values are converted to a digital code, which is then further translated internally to a set of coefficients for either volume, bass boost or treble.

## ORDERING INFORMATION

TYPE NUMBER	PACKAGE		
	NAME	DESCRIPTION	VERSION
TDA1548T	SO28	plastic small outline package; 28 leads; body width 7.5 mm	SOT136-1
TDA1548TZ	SSOP28	plastic shrink small outline package; 28 leads; body width 5.3 mm	SOT341-1

# Bitstream continuous calibration filter-DAC with headphone driver and DSP

TDA1548T

## QUICK REFERENCE DATA

SYMBOL	PARAMETER	CONDITIONS	MIN.	TYP.	MAX.	UNIT
$V_{DD}$	supply voltage	note 1	2.7	3.0	4.0	V
$I_{DD}$	supply current	note 2	–	15	–	mA
$V_{oFS(rms)}$	full-scale output voltage	$V_{DD} = 3\text{ V}$	0.57	0.64	0.71	V
(THD+N)/S	total harmonic distortion plus noise as a function of signal	0 dB signal	–	–65	–60	dB
		0 dB signal; $R_{OL} = 5\text{ k}\Omega$	–	0.056	0.1	%
		0 dB signal; $R_{OL} = 5\text{ k}\Omega$	–	–85	–78	dB
		0 dB signal; $R_{OL} = 5\text{ k}\Omega$	–	0.006	0.013	%
		–60 dB signal; $R_{OL} = 32\ \Omega$ or $R_{OL} = 5\text{ k}\Omega$	–	–35	–30	dBA
			–	1.778	3.162	%
S/N	signal-to-noise ratio	A-weighted; at code 00000H	90	95	–	dBA
BR	input bit rate at data input	$f_{sys} = 384f_s$	–	$48f_s$	–	
		$f_{sys} = 256f_s$	–	$64f_s$	–	
		$f_{sys} = 64f_s$	–	$64f_s$	–	
$f_{sys}$	system clock frequency		2.048	–	18.432	MHz
$TC_{FS}$	full-scale temperature coefficient at analog outputs (VOL and VOR)		–	$\pm 100 \times 10^{-6}$	–	
$T_{amb}$	operating ambient temperature		–20	–	+70	°C

### Notes

1. All  $V_{DD}$  and  $V_{SS}$  pins must be connected to the same supply or ground respectively.
2. Measured at input code 00000H and  $V_{DD} = 3\text{ V}$ .

# Bitstream continuous calibration filter-DAC with headphone driver and DSP

TDA1548T

## BLOCK DIAGRAM

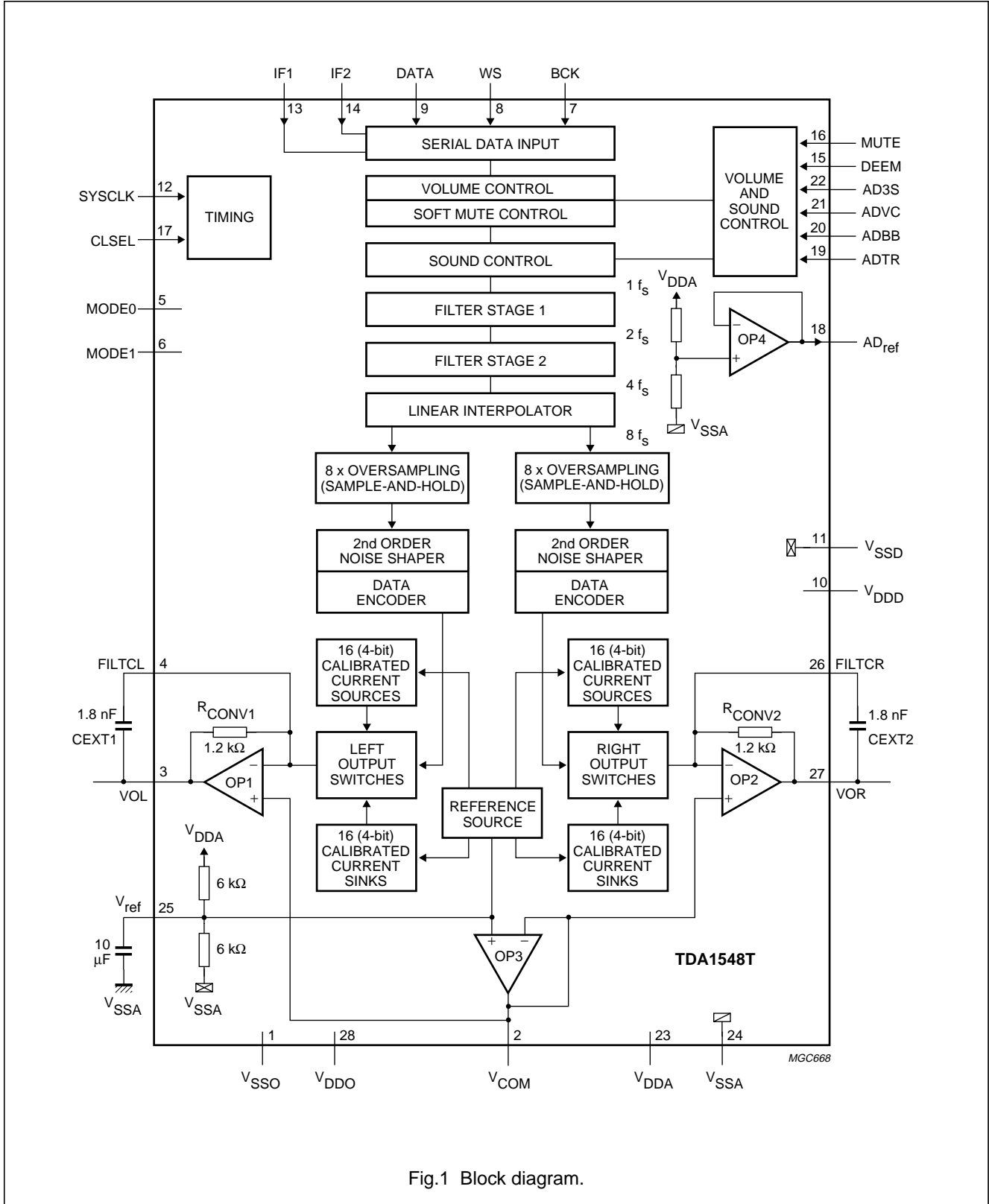


Fig.1 Block diagram.

# Bitstream continuous calibration filter-DAC with headphone driver and DSP

TDA1548T

**PINNING**

SYMBOL	PIN	DESCRIPTION
V <sub>SSO</sub>	1	operational amplifier ground
V <sub>COM</sub>	2	common output pin
VOL	3	left channel audio voltage output
FILTCL	4	capacitor for left channel first-order filter function should be connected between this pin and VOL (pin 3)
MODE0	5	mode 0 selection pin
MODE1	6	mode 1 selection pin
BCK	7	bit clock input
WS	8	word select input
DATA	9	data input
V <sub>DDD</sub>	10	digital supply voltage
V <sub>SSD</sub>	11	digital ground
SYSCLK	12	system clock 64f <sub>s</sub> , 256f <sub>s</sub> or 384f <sub>s</sub>
IF1	13	input format selection 1
IF2	14	input format selection 2
DEEM	15	de-emphasis input (f <sub>s</sub> = 44.1 kHz) (active HIGH)
MUTE	16	soft-mute input (active HIGH)
CLSEL	17	system clock selection input
AD <sub>ref</sub>	18	reference voltage output to external potentiometer
ADTR	19	analog sense input for treble setting
ADBB	20	analog sense input for bass boost setting
ADVC	21	analog sense input for volume control setting
AD3S	22	3-position switch input for flat/min/max setting
V <sub>DDA</sub>	23	analog supply voltage
V <sub>SSA</sub>	24	analog ground
V <sub>ref</sub>	25	internal reference voltage (0.5V <sub>DDA</sub> typ)
FILTCR	26	capacitor for right channel first-order filter function should be connected between this pin and VOR (pin 27)
VOR	27	right channel audio voltage output
V <sub>DDO</sub>	28	operational amplifier supply voltage

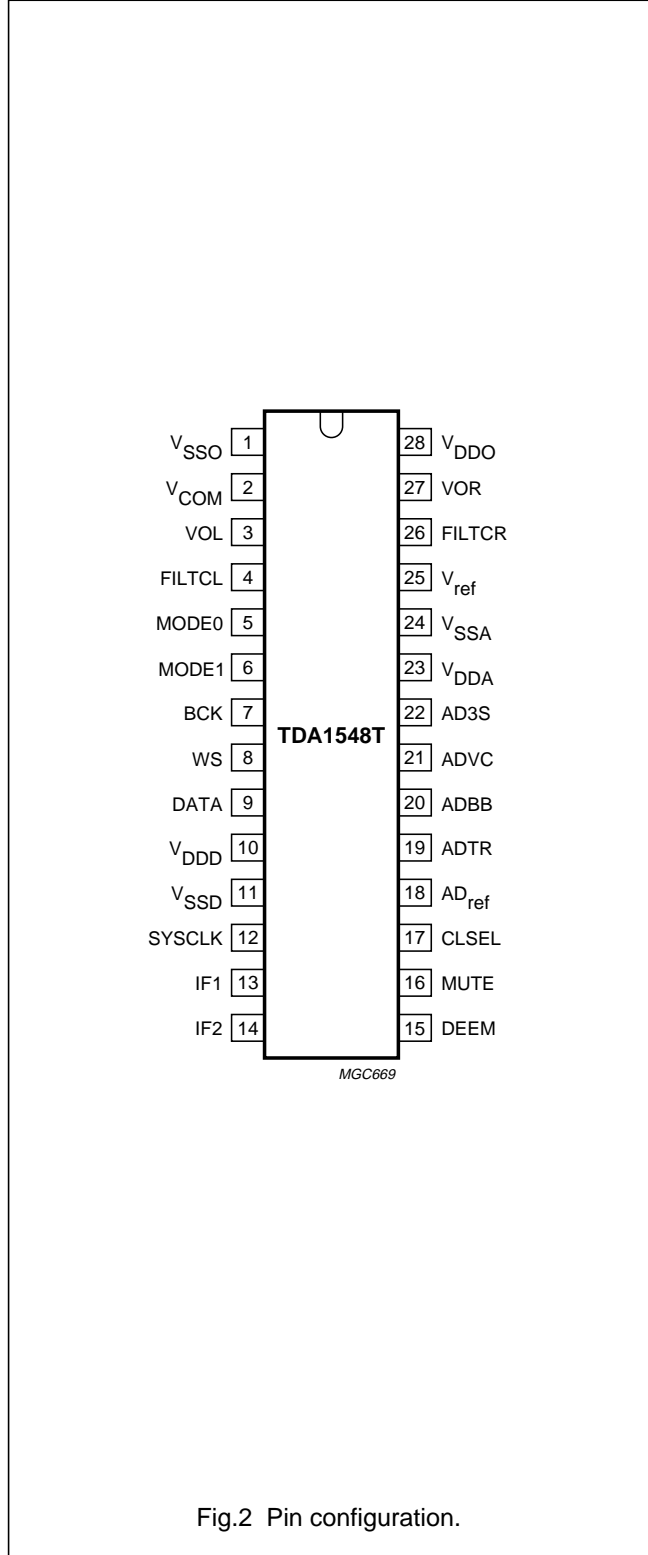


Fig.2 Pin configuration.

## Bitstream continuous calibration filter-DAC with headphone driver and DSP

TDA1548T

### FUNCTIONAL DESCRIPTION

The TDA1548T CMOS DAC incorporates an up-sampling digital filter, a linear interpolator, a noise shaper, continuous calibrated current sources and headphone amplifiers. The  $1f_s$  input data is increased to an oversampling rate of  $64f_s$ . This high-rate oversampling, together with the 5-bit DAC, enables the filtering required for waveform smoothing and out-of-band noise reduction to be achieved by simple first-order analog post-filtering.

### System clock and data input format

The TDA1548T accommodates slave mode only, this means that in all applications the system devices must provide the system clock. The system frequency is selectable at pins CLSEL, MODE0 and MODE1 (see Table 1).

The TDA1548T supports the following data input modes (see Table 2):

- I<sup>2</sup>S-bus with data word length of up to 20 bits

- LSB justified serial format with data word length of 16, 18 or 20 bits.

The input formats are illustrated in Fig.4. Left and right data-channel words are time multiplexed.

### Analog control of digital sound processing features

Digital sound processing settings are controlled via analog sense inputs that translate an analog voltage from, for example, a potentiometer wiper to a digital code, which is then further translated internally to a set of coefficients for either treble, bass boost or volume.

The analog input value is acquired by an internal 6-bit ADC, sampling the three input pins ADVC, ADBB and ADTR and the three-mode selection pin ADS3 (see Section "Single pin three mode selection") in a multiplexed fashion. Sampling of the input voltage is performed by a straight forward technique of linear approximation; from the starting value of 0 V, an internal linear approximation voltage is incremented periodically in steps of 1/66th of the scale, with an internal comparator detecting when the approximation value oversteps the input value. Tolerance is built in at the top and bottom end of the scale by dimensioning the resistive elements at the top and bottom of the ladder equals 1R. Thus the ladder is built up of 64 elements of value R, two of value R, making a typical quantization step size of approximately 1.5 V ( $AD_{ref}$ ) divided-by-66 (amount of Rs), equals 22.7 mV.

For each multiplexed timeslot the full approximation cycle is completed, immediately after which the next input will start being sampled.

The time slot for one input lasts 64 steps at a step advance rate of  $8 \times f_s$ , which amounts to 181  $\mu$ s at  $f_s = 44.1$  kHz. Because four inputs are multiplexed, the sample rate for each analog input is 1.38 kHz.

A buffered version of an internally generated reference voltage is available at output pin  $AD_{ref}$ . Because the internal AD derives from the same reference voltage, this allows for optimum mapping of the external analog control value onto the useful AD input voltage range. The idea is to bias a potentiometer to  $AD_{ref}$ , using a wiper to control the input voltage between 0 V and  $AD_{ref}$ . Hysteresis is implemented to improve noise immunity of the AD in order to prevent a stable setting of the potentiometer, to a point near a quantization threshold, from producing two alternating digital codes which could give rise to audible volume or boost changes. An hysteresis of 1 LSB is implemented digital. A shift in code must be at least 2 LSB either up or down from the current value, otherwise the internal digital code will remain at the current value.

### SINGLE PIN THREE MODE SELECTION

A special input pin AD3S (pin 22), controls the mode in which the sound processing block operates. Not between two but three modes; whether the DSP should follow the AD inputs applying maximum effect, the minimum effect or overrule the boost effects thereby resulting in a flat frequency characteristic in the treble and bass boost sections.

Internally the same AD is used to detect the input level present at this pin as is used for the three sound control pins. An internal bias circuit containing of two MOSTs supplies a mid-range voltage so that this input can be operated with a minimum of external components. A HIGH or LOW input level is created by tying the pin to  $AD_{ref}$  or ground respectively, the intermediate value is achieved by leaving the pin open-circuit.

### Volume control

Since there is no headroom included into the sound control section, the volume control precedes the sound control. Full volume and neutral setting (flat) of the sound control results in a full-scale output. Any tone boost will immediately cause clipping, which can be avoided by reducing the volume setting.

## Bitstream continuous calibration filter-DAC with headphone driver and DSP

TDA1548T

### Soft mute

Soft mute is controlled by MUTE (pin 16). When the input is active HIGH the value of the sample is decreased smoothly to zero following a raised cosine curve.

32 coefficients are used to step down the value of the data, each one being used 32 times before stepping on to the next. This amounts to a mute transition time of 23 ms at  $f_s = 44.1$  kHz. When MUTE is released (LOW), the samples are returned to the full level again following a raised cosine curve with the same coefficients being used in the reverse order. Mute is synchronized to the sample clock, so that the operation always takes place on complete samples.

### Digital sound processing features

#### BASS BOOST

A strong bass boost effect, which is useful in compensating for poor bass response of portable headphone sets, is implemented digitally in the TDA1548T and can be controlled by ADBB (pin 20) and AD3S (pin 22). Table 3 shows the bass boost values at different input voltages. Table 4 shows the selection mode status (flat/min/max) at different input voltages. Valid settings range from "flat" (no influence on audio) to +18 dB with step sizes of 2 dB in "minimum" and to +24 dB with step sizes of 2 dB in "maximum". The programmable bass boost filter is a second-order shelving type with a fixed corner frequency of 130 Hz for the "minimum" setting and a fixed corner frequency of 230 Hz for the "maximum" setting and has a Butterworth characteristic. Because of the exceptional amount of programmable gain, bass boost should be used in conjunction with adequate prior attenuation, using the volume control.

#### TREBLE

A treble effect is implemented digitally in the TDA1548T and can be controlled by ADTR (pin 19) and AD3S (pin 22). Table 3 shows the treble values at different input voltages. Table 4 shows the selection mode status (flat/min/max) at different input voltages. Valid settings range from "flat" (no influence on audio) to +6 dB with step sizes of 2 dB in "minimum" and to +6 dB with a step size of 2 dB in "maximum". The programmable treble filter is a first-order shelving type with a fixed corner frequency of 2.8 kHz for the "minimum" setting and a fixed corner frequency of 5.0 kHz for the "maximum" setting.

#### DE-EMPHASIS

De-emphasis is controlled by DEEM (pin 15). The digital de-emphasis filter is dimensioned to produce the

de-emphasis frequency characteristics for the sample rate 44.1 kHz. With its 18-bit dynamic range, the digital de-emphasis of the TDA1548T is a convenient and component-saving alternative to analog de-emphasis.

When the DEEM pin is active HIGH, de-emphasis is enabled. De-emphasis is synchronized to the sample clock, so that operation always takes place on complete samples.

### Oversampling filter and noise shaper

The digital filter is a four times oversampling filter. It consists of two sections which each increase the sample rate by 2.

The second order noise shaper operates at  $64f_s$ . It shifts in-band quantization noise to frequencies well above the audio band. This noise shaping technique, used in combination with a sign-magnitude coding, enables high signal-to-noise ratios to be achieved. The noise shaper outputs a 5-bit PDM bitstream signal to the DAC.

### Continuous calibration DAC

The dual 5-bit DAC uses the continuous calibration technique. This method, based on charge storage, involves exact duplication of a single reference current source. In the TDA1548T, 32 such current sources plus 1 spare source are continuously calibrated. The spare source is included to allow continuous converter operation.

The DAC receives a 5-bit data bitstream from the noise shaper. This data is converted to a sign-magnitude code so that no current is switched to the output during digital silence (input 00000H). In this way very high signal-to-noise performance is achieved.

### Component-saving stereo headphone driver

High precision, low-noise amplifiers together with the internal conversion resistors  $R_{CONV1}$  and  $R_{CONV2}$  convert the converter output current to a voltage capable of driving a line output or headphone. The voltage is available at VOL and VOR (0.64 V RMS typical).

A major component saving feature of the TDA1548T is that no DC-blocking capacitors are needed in the application, despite the asymmetrical supply. The  $V_{COM}$  output, pin 2, is biased to the same voltage that the right and left channel voltage outputs are,  $V_{ref}$ , and is capable of sinking the sum of left and right channel load currents. Therefore, connecting a load between one of the outputs and  $V_{COM}$  only gives rise to a negligible amount of DC current through the load.

# Bitstream continuous calibration filter-DAC with headphone driver and DSP

TDA1548T

**Table 1** System clock selection

PINS			DESCRIPTION
CLSEL	MODE0	MODE1	
0	0	0	256f <sub>s</sub>
0	0	1	64f <sub>s</sub>
0	1	X	reserved 1
1	0	0	384f <sub>s</sub>
1	0	1	reserved 2
1	1	X	reserved 3

**Table 2** Data input formats

PINS		FORMAT
IF1	IF2	
0	0	I <sup>2</sup> S-bus
0	1	LSB justified, 16 bits
1	0	LSB justified, 18 bits
1	1	LSB justified, 20 bits

**Table 3** Relationship between VC, BB and TR

ANALOG INPUT VALUES (V); PINS ADTR, ADBB AND ADVC	VOLUME (ADVC)	BASS BOOST (ADBB)		TREBLE (ADTR)	
		MAX.	MIN.	MAX.	MIN.
AD <sub>ref</sub> × 65/66	-0	0	0	0	0
AD <sub>ref</sub> × 64/66	-0	0	0	0	0
AD <sub>ref</sub> × 63/66	-1	0	0	0	0
AD <sub>ref</sub> × 62/66	-2	0	0	0	2
AD <sub>ref</sub> × 61/66	-3	2	2	2	2
AD <sub>ref</sub> × 60/66	-4	2	2	2	2
AD <sub>ref</sub> × 59/66	-5	4	4	2	2
AD <sub>ref</sub> × 58/66	-6	4	4	2	2
AD <sub>ref</sub> × 57/66	-7	6	6	4	4
AD <sub>ref</sub> × 56/66	-8	6	6	4	4
AD <sub>ref</sub> × 55/66	-9	8	8	4	4
AD <sub>ref</sub> × 54/66	-10	8	8	4	4
AD <sub>ref</sub> × 53/66	-11	10	10	6	6
AD <sub>ref</sub> × 52/66	-12	10	10	6	6
AD <sub>ref</sub> × 51/66	-13	12	12	6	6
AD <sub>ref</sub> × 50/66	-14	12	12	6	6
AD <sub>ref</sub> × 49/66	-15	14	14	....	....
AD <sub>ref</sub> × 48/66	-16	14	14	....	....
AD <sub>ref</sub> × 47/66	-17	16	16	....	....
AD <sub>ref</sub> × 46/66	-18	16	16	....	....
AD <sub>ref</sub> × 45/66	-19	18	18	....	....
AD <sub>ref</sub> × 44/66	-20	18	18	....	....
AD <sub>ref</sub> × /4366	-21	20	18	....	....
AD <sub>ref</sub> × 42/66	-22	20	18	....	....
AD <sub>ref</sub> × 41/66	-23	22	....	....	....
AD <sub>ref</sub> × 40/66	-24	22	....	....	....
AD <sub>ref</sub> × 39/66	-25	24	....	....	....



Bitstream continuous calibration filter-DAC  
with headphone driver and DSP

TDA1548T

ANALOG INPUT VALUES (V); PINS ADTR, ADBB AND ADVC	VOLUME (ADVC)	BASS BOOST (ADBB)		TREBLE (ADTR)	
		MAX.	MIN.	MAX.	MIN.
$AD_{ref} \times 38/66$	-26	24	....	....	....
$AD_{ref} \times 37/66$	-27	....	....	....	....
$AD_{ref} \times 36/66$	-28	....	....	....	....
....	....	....	....	....	....
....	....	....	....	....	....
$AD_{ref} \times 5/66$	-59	24	18	6	6
$AD_{ref} \times 4/66$	-60	24	18	6	6
$AD_{ref} \times 3/66$	$-\infty$	24	18	6	6
$AD_{ref} \times 2/66$	$-\infty$	24	18	6	6

**Table 4** Relationship mode selection

ANALOG INPUT VALUE (V); PIN AD3S	FLAT, MINIMUM OR MAXIMUM
$AD_{ref} \times 65/66$	flat
$AD_{ref} \times 64/66$	flat
....	....
....	....
$AD_{ref} \times 51/66$	flat
$AD_{ref} \times 50/66$	flat
$AD_{ref} \times 49/66$	minimum
$AD_{ref} \times 48/66$	minimum
....	....
....	....
$AD_{ref} \times 19/66$	minimum
$AD_{ref} \times 18/66$	minimum
$AD_{ref} \times 17/66$	maximum
$AD_{ref} \times 16/66$	maximum
....	....
....	....
$AD_{ref} \times 3/66$	maximum
$AD_{ref} \times 2/66$	maximum

# Bitstream continuous calibration filter-DAC with headphone driver and DSP

TDA1548T

## LIMITING VALUES

In accordance with the Absolute Maximum Rating System (IEC 134).

SYMBOL	PARAMETER	CONDITIONS	MIN.	MAX.	UNIT
$V_{DD}$	supply voltage	note 1	–	4.5	V
$T_{xtal}$	maximum crystal temperature		–	+150	°C
$T_{stg}$	storage temperature		–65	+125	°C
$T_{amb}$	operating ambient temperature		–20	+70	°C
$V_{es}$	electrostatic handling	note 2	–3000	+3000	V
		note 3	–300	+300	V

## Notes

1. All  $V_{DD}$  and  $V_{SS}$  connections must be made to the same power supply.
2. Equivalent to discharging a 100 pF capacitor via a 1.5 k $\Omega$  series resistor. Pin 18 = –1500 V (min) and +1500 V (max).
3. Equivalent to discharging a 200 pF capacitor via a 2.5  $\mu$ H series inductor.

## THERMAL CHARACTERISTICS

SYMBOL	DESCRIPTION	VALUE	UNIT
$R_{th\ j-a}$	thermal resistance from junction to ambient in free air		
	SO28	60	K/W
	SSOP28	80	K/W

## QUALITY SPECIFICATION

In accordance with UZW-BO/FQ-0601. The numbers of the quality specification can be found in the "Quality Reference Handbook". The Handbook can be ordered using the code 9397 750 00192.

# Bitstream continuous calibration filter-DAC with headphone driver and DSP

TDA1548T

## DC CHARACTERISTICS

All voltages referenced to ground (pins 1, 11 and 24);  $V_{DDD} = V_{DDA} = V_{DDO} = 3\text{ V}$ ;  $T_{\text{amb}} = 25\text{ °C}$ ,  $R_L = 32\ \Omega$  (note 1); common operational amplifier application; unless otherwise specified.

SYMBOL	PARAMETER	CONDITIONS	MIN.	TYP.	MAX.	UNIT
$V_{DDD}$	digital supply voltage pin 10	note 2	2.7	3.0	4.0	V
$V_{DDA}$	analog supply voltage pin 23	note 2	2.7	3.0	4.0	V
$V_{DDO}$	opamp supply voltage pin 28	note 2	2.7	3.0	4.0	V
$I_{DDD}$	digital supply current	at digital silence	–	4.5	–	mA
$I_{DDA}$	analog supply current	at digital silence	–	4.5	–	mA
$I_{DDO}$	opamp supply current	at digital silence; note 3	–	6.0	–	mA
$P_{\text{tot}}$	total power dissipation	note 3	–	50	–	mW
<b>Digital inputs</b>						
$V_{\text{IH}}$	HIGH level input voltage on pins 5 to 9 and 12 to 17		$0.7V_{\text{DDD}}$	–	–	V
$V_{\text{IL}}$	LOW level input voltage on pins 5 to 9 and 12 to 17		–	–	$0.3V_{\text{DDD}}$	V
$ I_{\text{LI}} $	input leakage current on pins 7 to 9 and 12 to 17		–	–	10	$\mu\text{A}$
$C_{\text{I}}$	input capacitance on pins 5 to 9 and 12 to 17		–	–	10	pF
<b>Analog inputs pins ADVC, ADBB, ADTR and AD3S</b>						
RES	input resolution		–	–	6	bit
$C_{\text{I}}$	input capacitance		–	10	–	pF
$R_{\text{I}}$	input resistance	pins ADBB, ADTR and ADVC	1	–	–	M $\Omega$
		pin AD3S	–	20	–	k $\Omega$
<b>Analog reference pin AD<sub>ref</sub></b>						
$V_{\text{ADref}}$	reference voltage pin 18		$0.45V_{\text{DDA}}$	$0.5V_{\text{DDA}}$	$0.55V_{\text{DDA}}$	V
$R_{\text{L(ADref)}}$	reference output load pin 18		3.0	–	–	k $\Omega$
<b>Analog audio pins</b>						
$V_{\text{ref}}$	reference voltage pin 25	with respect to $V_{\text{SSO}}$	$0.45V_{\text{DDA}}$	$0.5V_{\text{DDA}}$	$0.55V_{\text{DDA}}$	V
$R_{\text{O}}$	output resistance pin 25		–	3	–	k $\Omega$
$R_{\text{CONV}}$	current-to-voltage conversion resistor		–	1.2	–	k $\Omega$
$I_{\text{O(max)}}$	maximum output current	$(\text{THD} + \text{N})/\text{S} < 0.1\%$	–	35	–	mA
$C_{\text{L}}$	output load capacitance	note 4	–	–	50	pF

## Notes

- $R_{\text{L}}$  is the AC impedance of the external circuitry connected to the audio outputs of the application circuit.
- All power supply pins ( $V_{\text{DD}}$  and  $V_{\text{SS}}$ ) must be connected to the same external power supply unit.
- No operational amplifier load resistor.
- Load capacitance greater than 50 pF, an inductor of 22  $\mu\text{H}$  connected in parallel with a resistor of 270  $\Omega$  must be inserted between the load and the operational amplifier output.

# Bitstream continuous calibration filter-DAC with headphone driver and DSP

TDA1548T

## AC CHARACTERISTICS (ANALOG)

All voltages referenced to ground (pins 2, 9 and 23);  $V_{DD} = V_{DDA} = V_{DDO} = 3\text{ V}$ ;  $f_i = 1\text{ kHz}$ ;  $T_{\text{amb}} = 25\text{ °C}$ ,  $R_L = 32\ \Omega$  (note 1); common operational amplifier application; unless otherwise specified.

SYMBOL	PARAMETER	CONDITIONS	MIN.	TYP.	MAX.	UNIT
RES	input resolution		–	–	18	bit
$f_{sAD}$	AD sample frequency		–	$f_s/32$	–	kHz
$V_{ADref}$	input voltage range		0	–	$V_{ADref}$	V
$V_{FS(rms)}$	output voltage swing (RMS value) (pins 3 and 27)		0.57	0.64	0.71	V
$V_{DC(os)}$	DC offset output voltage w.r.t. reference voltage level $V_{ref}$		–	20	–	mV
$TC_{FS}$	full scale temperature coefficient		–	$\pm 100 \times 10^{-6}$	–	
SVRR	supply voltage ripple rejection $V_{DDA}$ and $V_{DDO}$	$C_{25} = 10\ \mu\text{F}$ ; $f_{\text{ripple}} = 1\text{ kHz}$ ; $V_{\text{ripple}} = 100\text{ mV (peak)}$	–	40	–	dB
UNBAL	unbalance between the 2 DAC voltage outputs (pins 3 and 27)	maximum volume	–	0.1	–	dB
$\alpha_{ct}$	crosstalk between the 2 DAC voltage outputs (pins 3 and 27)	one output digital silence the other maximum volume	–	50	–	dB
		one output digital silence the other maximum volume $R_L = 5\text{ k}\Omega$	–	90	–	dB
	crosstalk between the 2 DAC voltage outputs (pins 3 and 27) with $R_L$ connected to ground	one output digital silence the other maximum volume	–	70	–	dB
		one output digital silence the other maximum volume $R_L = 5\text{ k}\Omega$	–	100	–	dB
(THD+N)/S	total harmonic distortion plus noise as a function of signal	0 dB signal	–	–65	–60	dB
			–	0.056	0.1	%
		0 dB signal; $R_L = 5\text{ k}\Omega$	–	–85	–78	dB
			–	0.006	0.013	%
		–60 dB signal; $R_L = 32\ \Omega$ or $R_L = 5\text{ k}\Omega$	–	–35	–30	dBA
			–	1.778	3.162	%
S/N	signal-to-noise ratio at bipolar zero	A-weighted at code 00000H	90	95	–	dBA

### Note

- $R_L$  is the AC impedance of the external circuitry connected to the audio outputs of the application circuit.

Bitstream continuous calibration filter-DAC  
with headphone driver and DSP

TDA1548T

AC CHARACTERISTICS (DIGITAL)

All voltages referenced to ground (pins 2, 9 and 23);  $V_{DD} = V_{DDA} = V_{DDO} = 2.7$  to  $4.0$  V;  $T_{amb} = +70$  °C,  $R_L = 32$  Ω (note 1); unless otherwise specified.

SYMBOL	PARAMETER	CONDITIONS	MIN.	TYP.	MAX.	UNIT
$T_{cy}$	clock cycle	$f_{sys} = 384f_s$	54.2	59.1	81.3	ns
		$f_{sys} = 256f_s$	81.3	88.6	122	ns
		$f_{sys} = 64f_s$	325.5	354.3	488.3	ns
$t_{CW(L)}$	$f_{sys}$ LOW level pulse width		22	–	–	ns
$t_{CW(H)}$	$f_{sys}$ HIGH level pulse width		22	–	–	ns
<b>Serial input data timing (see Fig.3)</b>						
BR	clock input = data input rate	$f_{sys} = 384f_s$	–	$48f_s$	–	
		$f_{sys} = 256f_s$	–	$64f_s$	–	
		$f_{sys} = 64f_s$	–	$64f_s$	–	
$f_{sys}$	system clock frequency		2.048	–	18.432	MHz
$f_{WS}$	word select input frequency		–	44.1	48.0	kHz
$t_r$	rise time		–	–	20	ns
$t_f$	fall time		–	–	20	ns
$t_{BCK(H)}$	bit clock HIGH time		55	–	–	ns
$t_{BCK(L)}$	bit clock LOW time		55	–	–	ns
$t_{s,DAT}$	data set-up time		20	–	–	ns
$t_{h,DAT}$	data hold time		10	–	–	ns
$t_{s,WS}$	word select set-up time		20	–	–	ns
$t_{h,WS}$	word select hold time		10	–	–	ns

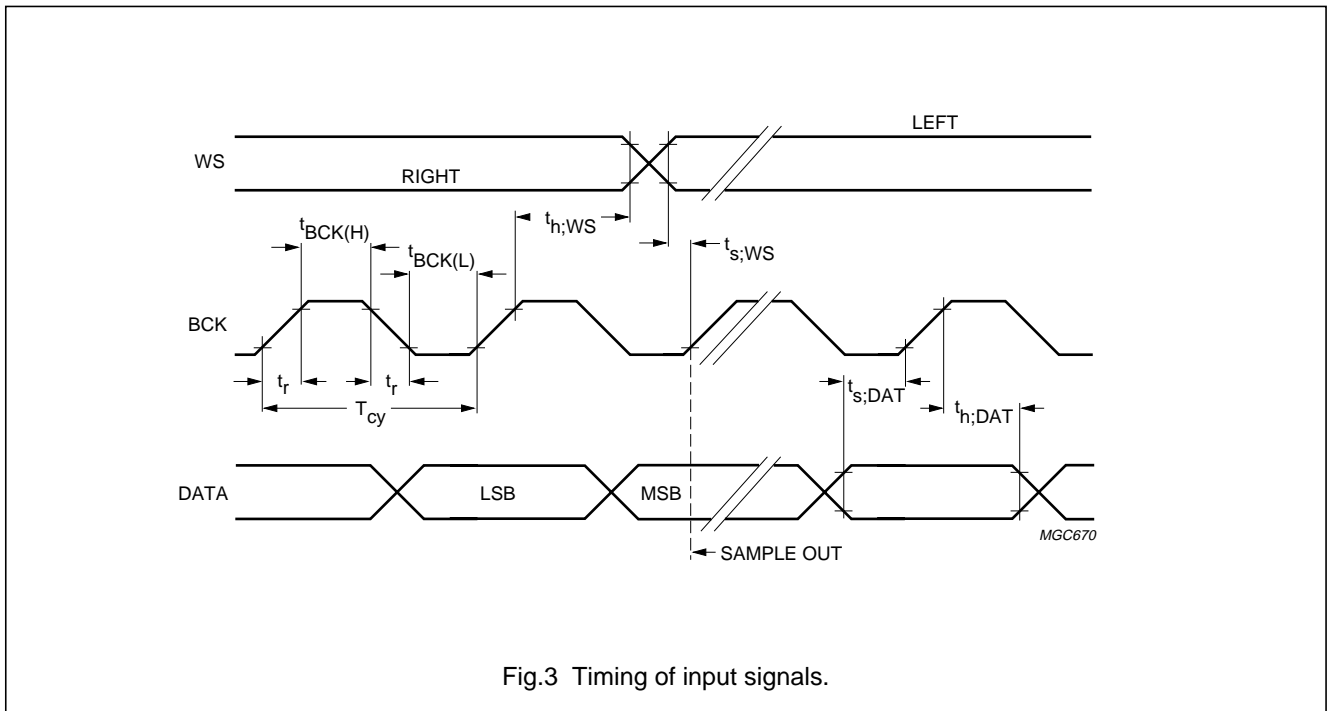
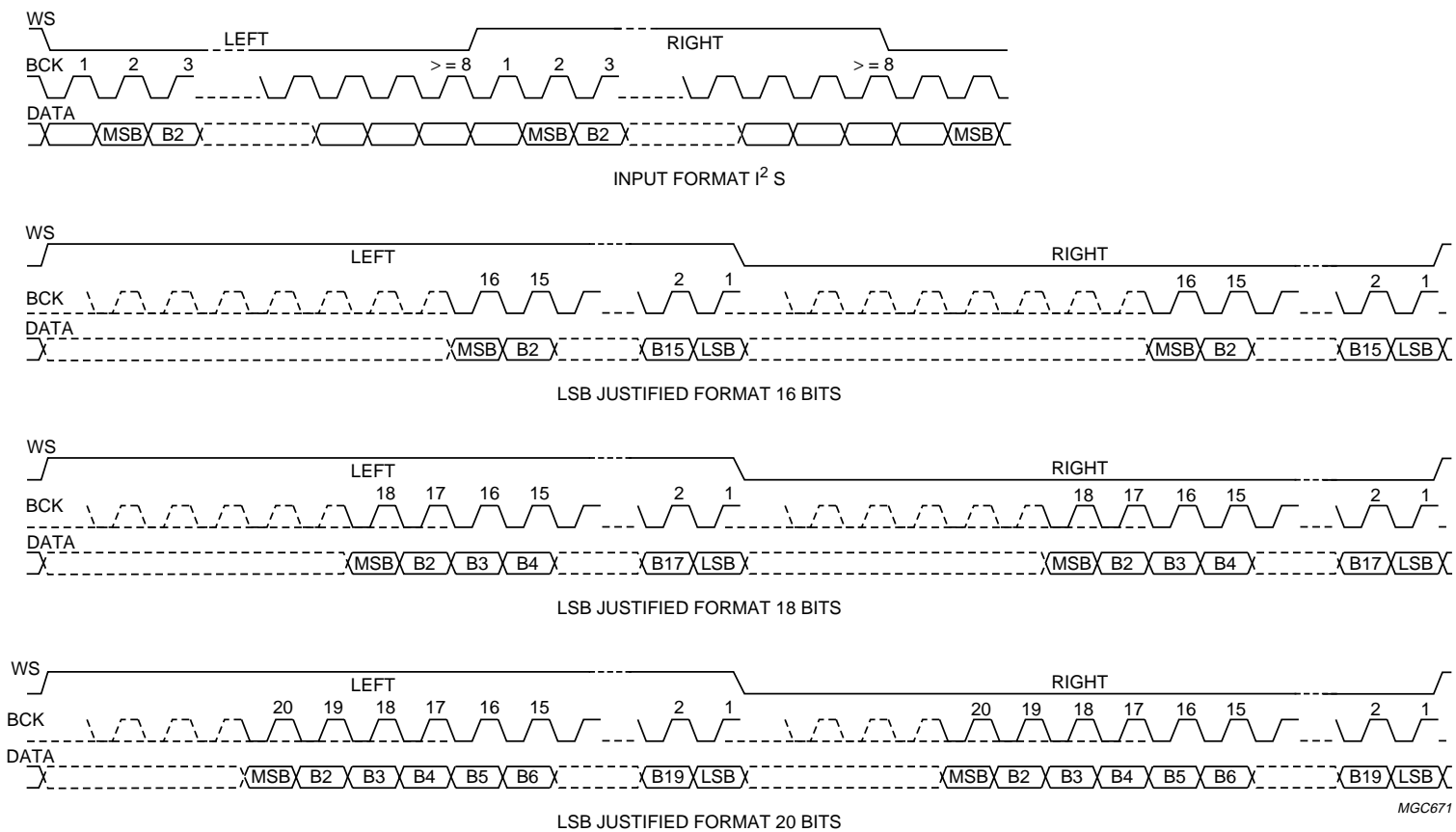


Fig.3 Timing of input signals.

Bitstream continuous calibration filter-DAC  
with headphone driver and DSP

TDA1548T



MGC671

Fig.4 Data input formats.

# Bitstream continuous calibration filter-DAC with headphone driver and DSP

TDA1548T

## TEST AND APPLICATION INFORMATION

### Filter characteristics

**Table 5** Digital filter characteristics ( $f_s = 44.1 \text{ kHz}$ )

The band frequencies scale with the sample frequency.

BAND	ATTENUATION
0 to 20 kHz	< 0.001 dB
24 to 64 kHz	> 39 dB
64 to 69 kHz	> 33 dB
69 to 88 kHz	> 37 dB

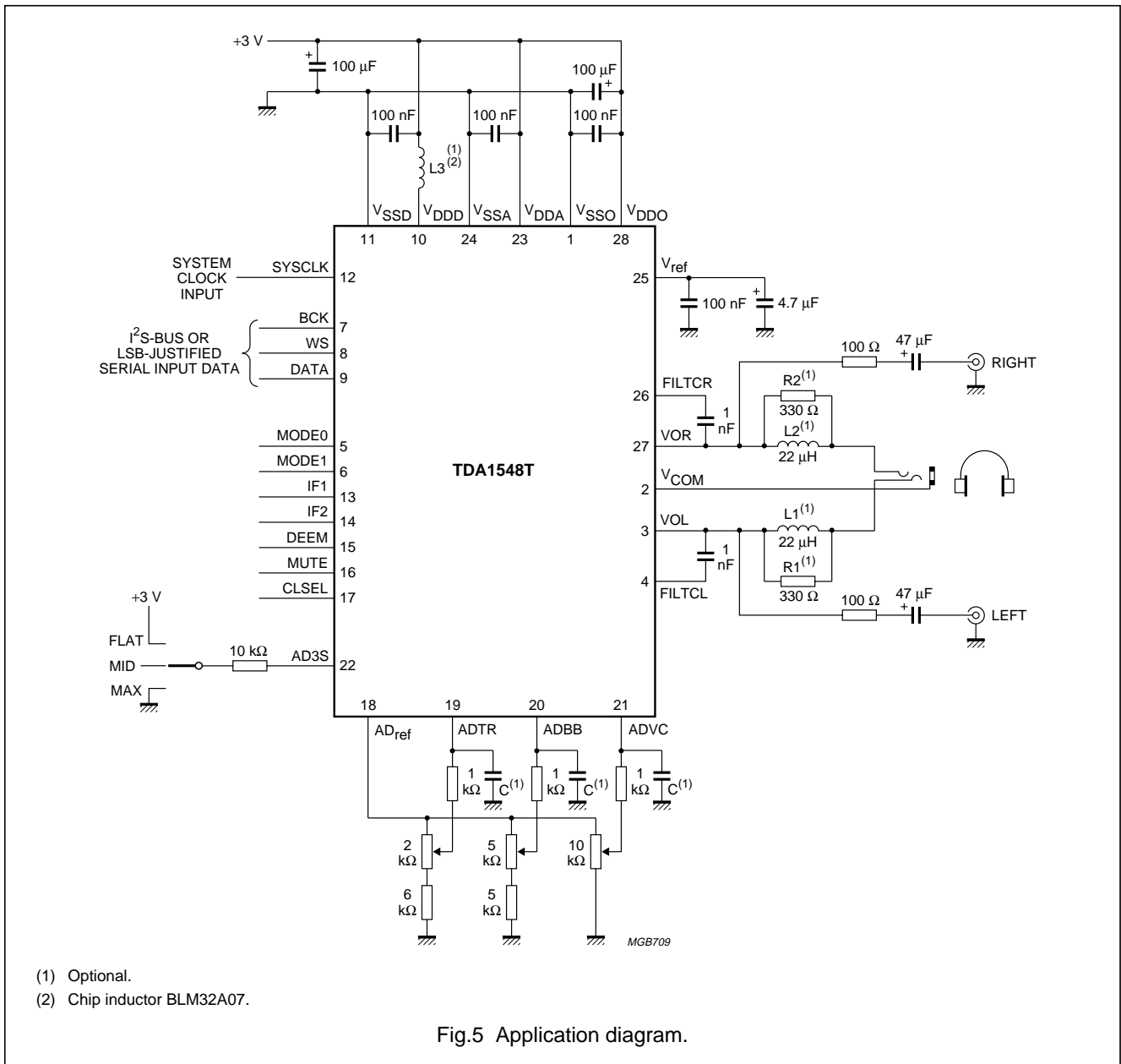


Fig.5 Application diagram.

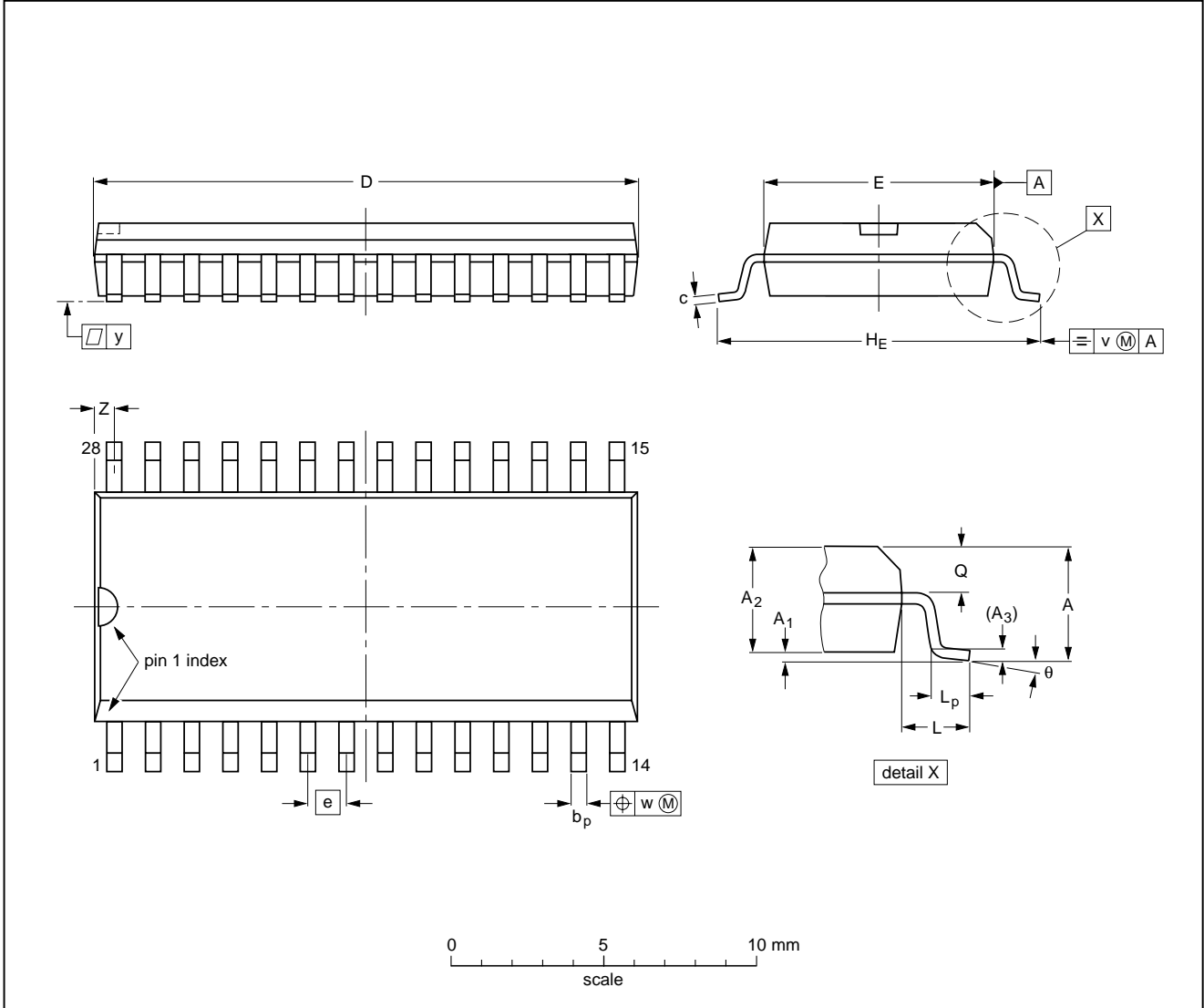
Bitstream continuous calibration filter-DAC  
with headphone driver and DSP

TDA1548T

PACKAGE OUTLINES

SO28: plastic small outline package; 28 leads; body width 7.5 mm

SOT136-1



DIMENSIONS (inch dimensions are derived from the original mm dimensions)

UNIT	A max.	A <sub>1</sub>	A <sub>2</sub>	A <sub>3</sub>	b <sub>p</sub>	c	D <sup>(1)</sup>	E <sup>(1)</sup>	e	H <sub>E</sub>	L	L <sub>p</sub>	Q	v	w	y	z <sup>(1)</sup>	θ
mm	2.65	0.30 0.10	2.45 2.25	0.25	0.49 0.36	0.32 0.23	18.1 17.7	7.6 7.4	1.27	10.65 10.00	1.4	1.1 0.4	1.1 1.0	0.25	0.25	0.1	0.9 0.4	8° 0°
inches	0.10	0.012 0.004	0.096 0.089	0.01	0.019 0.014	0.013 0.009	0.71 0.69	0.30 0.29	0.050	0.419 0.394	0.055	0.043 0.016	0.043 0.039	0.01	0.01	0.004	0.035 0.016	

Note

1. Plastic or metal protrusions of 0.15 mm maximum per side are not included.

OUTLINE VERSION	REFERENCES				EUROPEAN PROJECTION	ISSUE DATE
	IEC	JEDEC	EIAJ			
SOT136-1	075E06	MS-013AE				95-01-24 97-05-22

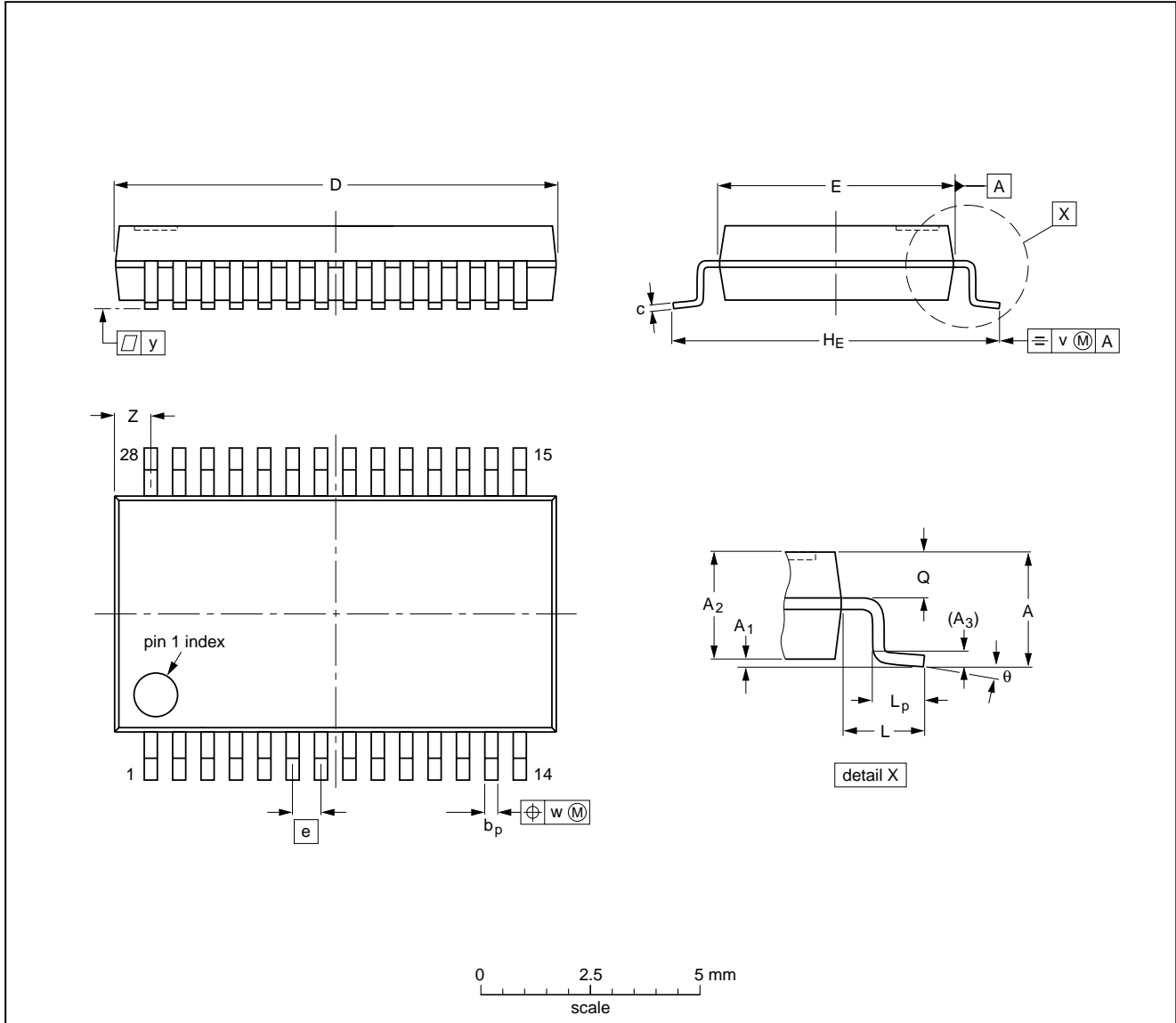


Bitstream continuous calibration filter-DAC  
with headphone driver and DSP

TDA1548T

SSOP28: plastic shrink small outline package; 28 leads; body width 5.3 mm

SOT341-1



DIMENSIONS (mm are the original dimensions)

UNIT	A max.	A <sub>1</sub>	A <sub>2</sub>	A <sub>3</sub>	b <sub>p</sub>	c	D <sup>(1)</sup>	E <sup>(1)</sup>	e	H <sub>E</sub>	L	L <sub>p</sub>	Q	v	w	y	Z <sup>(1)</sup>	θ
mm	2.0	0.21 0.05	1.80 1.65	0.25	0.38 0.25	0.20 0.09	10.4 10.0	5.4 5.2	0.65	7.9 7.6	1.25	1.03 0.63	0.9 0.7	0.2	0.13	0.1	1.1 0.7	8° 0°

Note

1. Plastic or metal protrusions of 0.20 mm maximum per side are not included.

OUTLINE VERSION	REFERENCES			EUROPEAN PROJECTION	ISSUE DATE
	IEC	JEDEC	EIAJ		
SOT341-1		MO-150AH			93-09-08 95-02-04

## Bitstream continuous calibration filter-DAC with headphone driver and DSP

TDA1548T

### SOLDERING

#### Introduction

There is no soldering method that is ideal for all IC packages. Wave soldering is often preferred when through-hole and surface mounted components are mixed on one printed-circuit board. However, wave soldering is not always suitable for surface mounted ICs, or for printed-circuits with high population densities. In these situations reflow soldering is often used.

This text gives a very brief insight to a complex technology. A more in-depth account of soldering ICs can be found in our "IC Package Databook" (order code 9398 652 90011).

#### Reflow soldering

Reflow soldering techniques are suitable for all SO and SSOP packages.

Reflow soldering requires solder paste (a suspension of fine solder particles, flux and binding agent) to be applied to the printed-circuit board by screen printing, stencilling or pressure-syringe dispensing before package placement.

Several techniques exist for reflowing; for example, thermal conduction by heated belt. Dwell times vary between 50 and 300 seconds depending on heating method. Typical reflow temperatures range from 215 to 250 °C.

Preheating is necessary to dry the paste and evaporate the binding agent. Preheating duration: 45 minutes at 45 °C.

#### Wave soldering

##### SO

Wave soldering techniques can be used for all SO packages if the following conditions are observed:

- A double-wave (a turbulent wave with high upward pressure followed by a smooth laminar wave) soldering technique should be used.
- The longitudinal axis of the package footprint must be parallel to the solder flow.
- The package footprint must incorporate solder thieves at the downstream end.

##### SSOP

Wave soldering is **not** recommended for SSOP packages. This is because of the likelihood of solder bridging due to closely-spaced leads and the possibility of incomplete solder penetration in multi-lead devices.

**If wave soldering cannot be avoided, the following conditions must be observed:**

- **A double-wave (a turbulent wave with high upward pressure followed by a smooth laminar wave) soldering technique should be used.**
- **The longitudinal axis of the package footprint must be parallel to the solder flow and must incorporate solder thieves at the downstream end.**

**Even with these conditions, only consider wave soldering SSOP packages that have a body width of 4.4 mm, that is SSOP16 (SOT369-1) or SSOP20 (SOT266-1).**

#### METHOD (SO AND SSOP)

During placement and before soldering, the package must be fixed with a droplet of adhesive. The adhesive can be applied by screen printing, pin transfer or syringe dispensing. The package can be soldered after the adhesive is cured.

Maximum permissible solder temperature is 260 °C, and maximum duration of package immersion in solder is 10 seconds, if cooled to less than 150 °C within 6 seconds. Typical dwell time is 4 seconds at 250 °C.

A mildly-activated flux will eliminate the need for removal of corrosive residues in most applications.

#### Repairing soldered joints

Fix the component by first soldering two diagonally-opposite end leads. Use only a low voltage soldering iron (less than 24 V) applied to the flat part of the lead. Contact time must be limited to 10 seconds at up to 300 °C. When using a dedicated tool, all other leads can be soldered in one operation within 2 to 5 seconds between 270 and 320 °C.

# Bitstream continuous calibration filter-DAC with headphone driver and DSP

TDA1548T

## DEFINITIONS

<b>Data sheet status</b>	
Objective specification	This data sheet contains target or goal specifications for product development.
Preliminary specification	This data sheet contains preliminary data; supplementary data may be published later.
Product specification	This data sheet contains final product specifications.
<b>Limiting values</b>	
Limiting values given are in accordance with the Absolute Maximum Rating System (IEC 134). Stress above one or more of the limiting values may cause permanent damage to the device. These are stress ratings only and operation of the device at these or at any other conditions above those given in the Characteristics sections of the specification is not implied. Exposure to limiting values for extended periods may affect device reliability.	
<b>Application information</b>	
Where application information is given, it is advisory and does not form part of the specification.	

## LIFE SUPPORT APPLICATIONS

These products are not designed for use in life support appliances, devices, or systems where malfunction of these products can reasonably be expected to result in personal injury. Philips customers using or selling these products for use in such applications do so at their own risk and agree to fully indemnify Philips for any damages resulting from such improper use or sale.

## **Philips Semiconductors – a worldwide company**

**Argentina:** IEROD, Av. Juramento 1992 - 14.b, (1428)  
BUENOS AIRES, Tel. (541)786 7633, Fax. (541)786 9367

**Australia:** 34 Waterloo Road, NORTH RYDE, NSW 2113,  
Tel. (02)805 4455, Fax. (02)805 4466

**Austria:** Triester Str. 64, A-1101 WIEN, P.O. Box 213,  
Tel. (01)60 101-1236, Fax. (01)60 101-1211

**Belgium:** Postbus 90050, 5600 PB EINDHOVEN, The Netherlands,  
Tel. (31)40-2783749, Fax. (31)40-2788399

**Brazil:** Rua do Rocio 220 - 5<sup>th</sup> floor, Suite 51,  
CEP: 04552-903-SÃO PAULO-SP, Brazil.  
P.O. Box 7383 (01064-970),  
Tel. (011)821-2333, Fax. (011)829-1849

**Canada:** PHILIPS SEMICONDUCTORS/COMPONENTS:  
Tel. (800) 234-7381, Fax. (708) 296-8556

**Chile:** Av. Santa Maria 0760, SANTIAGO,  
Tel. (02)773 816, Fax. (02)777 6730

**China/Hong Kong:** 501 Hong Kong Industrial Technology Centre,  
72 Tat Chee Avenue, Kowloon Tong, HONG KONG,  
Tel. (852)2319 7888, Fax. (852)2319 7700

**Colombia:** IPRELENZO LTDA, Carrera 21 No. 56-17,  
77621 BOGOTA, Tel. (571)249 7624/(571)217 4609,  
Fax. (571)217 4549

**Denmark:** Prags Boulevard 80, PB 1919, DK-2300  
COPENHAGEN S, Tel. (032)88 2636, Fax. (031)57 1949

**Finland:** Sinikalliontie 3, FIN-02630 ESPOO,  
Tel. (358)0-615 800, Fax. (358)0-61580 920

**France:** 4 Rue du Port-aux-Vins, BP317,  
92156 SURESNES Cedex,  
Tel. (01)4099 6161, Fax. (01)4099 6427

**Germany:** P.O. Box 10 63 23, 20043 HAMBURG,  
Tel. (040)3296-0, Fax. (040)3296 213.

**Greece:** No. 15, 25th March Street, GR 17778 TAVROS,  
Tel. (01)4894 339/4894 911, Fax. (01)4814 240

**India:** Philips INDIA Ltd, Shivsagar Estate, A Block,  
Dr. Annie Besant Rd. Worli, Bombay 400 018  
Tel. (022)4938 541, Fax. (022)4938 722

**Indonesia:** Philips House, Jalan H.R. Rasuna Said Kav. 3-4,  
P.O. Box 4252, JAKARTA 12950,  
Tel. (021)5201 122, Fax. (021)5205 189

**Ireland:** Newstead, Clonskeagh, DUBLIN 14,  
Tel. (01)7640 000, Fax. (01)7640 200

**Italy:** PHILIPS SEMICONDUCTORS S.r.l.,  
Piazza IV Novembre 3, 20124 MILANO,  
Tel. (0039)2 6752 2531, Fax. (0039)2 6752 2557

**Japan:** Philips Bldg 13-37, Kohnan 2-chome, Minato-ku, TOKYO 108,  
Tel. (03)3740 5130, Fax. (03)3740 5077

**Korea:** Philips House, 260-199 Itaewon-dong,  
Yongsan-ku, SEOUL, Tel. (02)709-1412, Fax. (02)709-1415

**Malaysia:** No. 76 Jalan Universiti, 46200 PETALING JAYA,  
SELANGOR, Tel. (03)750 5214, Fax. (03)757 4880

**Mexico:** 5900 Gateway East, Suite 200, EL PASO, TX 79905,  
Tel. 9-5(800)234-7381, Fax. (708)296-8556

**Netherlands:** Postbus 90050, 5600 PB EINDHOVEN, Bldg. VB,  
Tel. (040)2783749, Fax. (040)2788399

**New Zealand:** 2 Wagener Place, C.P.O. Box 1041, AUCKLAND,  
Tel. (09)849-4160, Fax. (09)849-7811

**Norway:** Box 1, Manglerud 0612, OSLO,  
Tel. (022)74 8000, Fax. (022)74 8341

**Pakistan:** Philips Electrical Industries of Pakistan Ltd.,  
Exchange Bldg. ST-2/A, Block 9, KDA Scheme 5, Clifton,  
KARACHI 75600, Tel. (021)587 4641-49,  
Fax. (021)577035/5874546

**Philippines:** PHILIPS SEMICONDUCTORS PHILIPPINES Inc.,  
106 Valero St. Salcedo Village, P.O. Box 2108 MCC, MAKATI,  
Metro MANILA, Tel. (63) 2 816 6380, Fax. (63) 2 817 3474

**Portugal:** PHILIPS PORTUGUESA, S.A.,  
Rua dr. António Loureiro Borges 5, Arquiparque - Miraflores,  
Apartado 300, 2795 LINDA-A-VELHA,  
Tel. (01)4163160/4163333, Fax. (01)4163174/4163366

**Singapore:** Lorong 1, Toa Payoh, SINGAPORE 1231,  
Tel. (65)350 2000, Fax. (65)251 6500

**South Africa:** S.A. PHILIPS Pty Ltd.,  
195-215 Main Road Martindale, 2092 JOHANNESBURG,  
P.O. Box 7430, Johannesburg 2000,  
Tel. (011)470-5911, Fax. (011)470-5494

**Spain:** Balmes 22, 08007 BARCELONA,  
Tel. (03)301 6312, Fax. (03)301 42 43

**Sweden:** Kottbygatan 7, Akalla. S-164 85 STOCKHOLM,  
Tel. (0)8-632 2000, Fax. (0)8-632 2745

**Switzerland:** Allmendstrasse 140, CH-8027 ZÜRICH,  
Tel. (01)488 2211, Fax. (01)481 77 30

**Taiwan:** PHILIPS TAIWAN Ltd., 23-30F, 66, Chung Hsiao West  
Road, Sec. 1. Taipeh, Taiwan ROC, P.O. Box 22978,  
TAIPEI 100, Tel. (886) 2 382 4443, Fax. (886) 2 382 4444

**Thailand:** PHILIPS ELECTRONICS (THAILAND) Ltd.,  
209/2 Sanpavuth-Bangna Road Prakanong,  
Bangkok 10260, THAILAND,  
Tel. (66) 2 745-4090, Fax. (66) 2 398-0793

**Turkey:** Talatpasa Cad. No. 5, 80640 GÜLTEPE/ISTANBUL,  
Tel. (0212)279 27 70, Fax. (0212)282 67 07

**Ukraine:** Philips UKRAINE, 2A Akademika Koroleva str., Office 165,  
252148 KIEV, Tel. 380-44-4760297, Fax. 380-44-4766991

**United Kingdom:** Philips Semiconductors LTD.,  
276 Bath Road, Hayes, MIDDLESEX UB3 5BX,  
Tel. (0181)730-5000, Fax. (0181)754-8421

**United States:** 811 East Arques Avenue, SUNNYVALE,  
CA 94088-3409, Tel. (800)234-7381, Fax. (708)296-8556

**Uruguay:** Coronel Mora 433, MONTEVIDEO,  
Tel. (02)70-4044, Fax. (02)92 0601

**Internet:** <http://www.semiconductors.philips.com/ps/>

**For all other countries apply to:** Philips Semiconductors,  
International Marketing and Sales, Building BE-p,  
P.O. Box 218, 5600 MD EINDHOVEN, The Netherlands,  
Telex 35000 phtcnl, Fax. +31-40-2724825

SCD45

© Philips Electronics N.V. 1995

All rights are reserved. Reproduction in whole or in part is prohibited without the prior written consent of the copyright owner.

The information presented in this document does not form part of any quotation or contract, is believed to be accurate and reliable and may be changed without notice. No liability will be accepted by the publisher for any consequence of its use. Publication thereof does not convey nor imply any license under patent- or other industrial or intellectual property rights.

Printed in The Netherlands