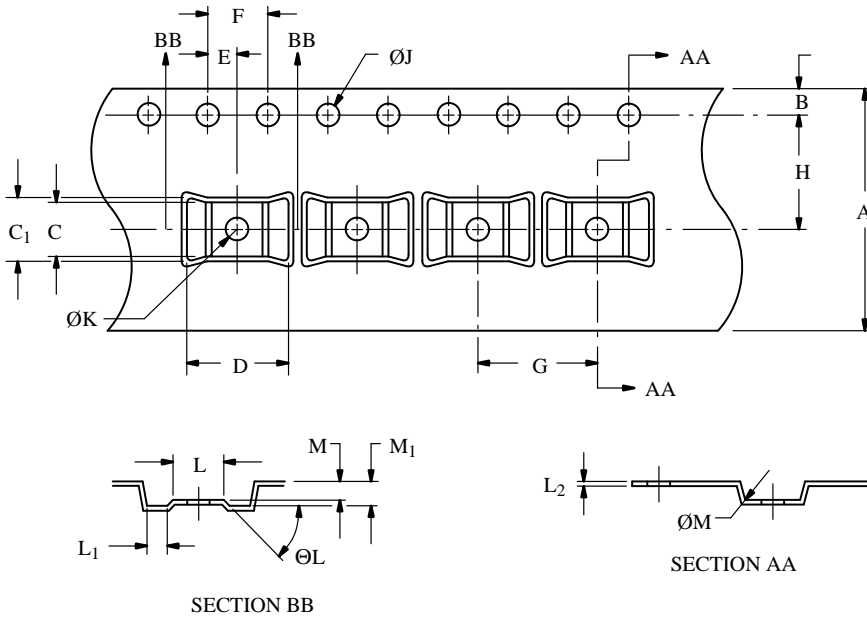


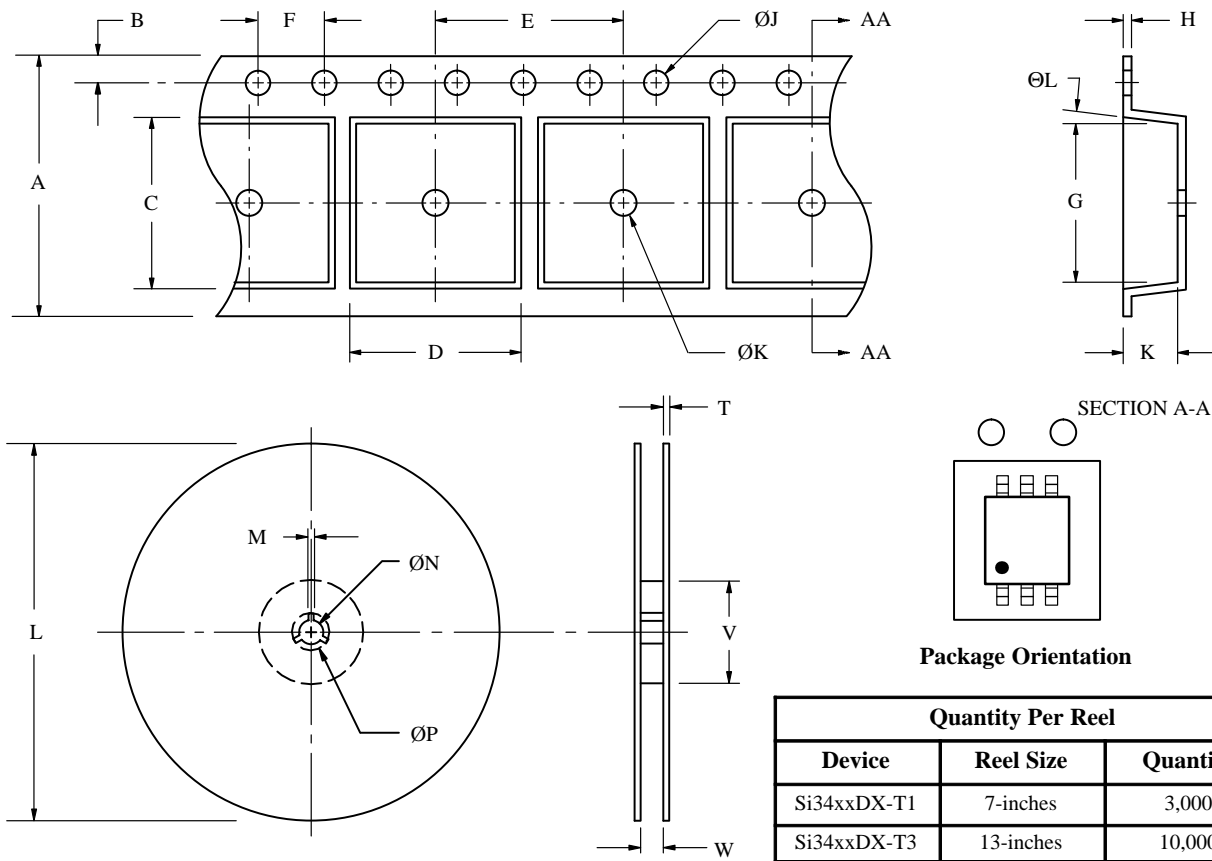
**Tape and Reel Option for TSSOP, 8-Pin**



Dim	Millimeters	
	Min	Max
A	15.70	16.30
B	1.65	1.85
C	3.50	3.70
C <sub>1</sub>	4.20	4.40
D	6.80	7.00
E	1.95	2.05
F	3.90	4.10
G	7.90	8.10
H	7.40	7.60
ØJ	1.50	1.60
ØK	1.50	1.60
L	3.30	3.5
L <sub>1</sub>	1.27	1.47
L <sub>2</sub>	0.25	0.35
ØL	-	45°
M	1.10	1.30
M <sub>1</sub>	1.50	1.70
ØM	-	0.30

# Package Information

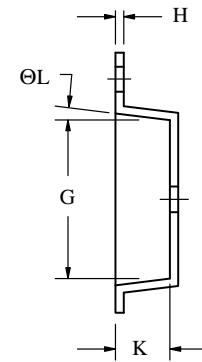
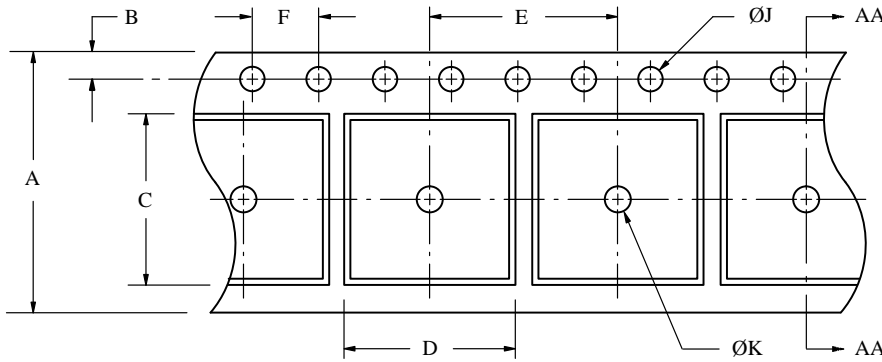
## Tape and Reel Options for TSOP-6



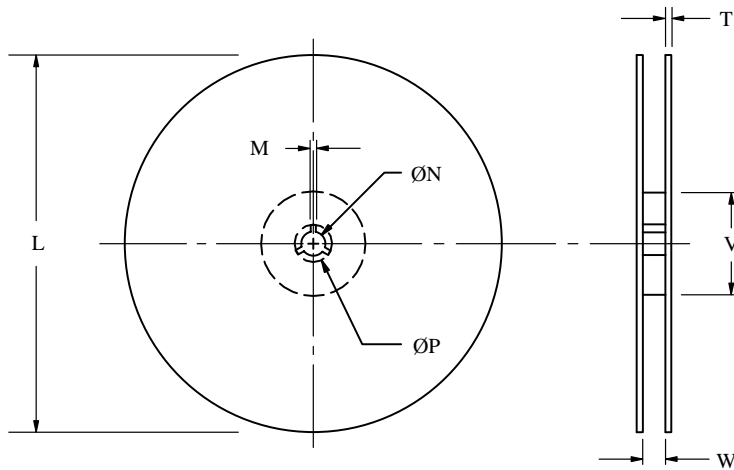
Quantity Per Reel		
Device	Reel Size	Quantity
Si34xxDX-T1	7-inches	3,000
Si34xxDX-T3	13-inches	10,000

Dim	T1				T3			
	Millimeters		Inches		Millimeters		Inches	
	Min	Max	Min	Max	Min	Max	Min	Max
A	7.70	8.30	0.303	0.327	7.70	8.30	0.303	0.327
B	1.65	1.85	0.065	0.073	1.65	1.85	0.065	0.073
C	3.10	3.30	0.122	0.130	3.10	3.30	0.122	0.130
D	3.05	3.25	0.120	0.128	3.05	3.25	0.120	0.128
E	3.90	4.10	0.154	0.161	3.90	4.10	0.154	0.161
F	3.90	4.10	0.154	0.161	3.90	4.10	0.154	0.161
G	3.10	3.30	0.122	0.130	3.10	3.30	0.122	0.130
H	0.17	0.23	0.007	0.009	0.17	0.23	0.007	0.009
ØJ	1.50	1.60	0.059	0.063	1.50	1.60	0.059	0.063
K	1.30	1.50	0.051	0.059	1.30	1.50	0.051	0.059
ØK	1.00	1.10	0.039	0.043	1.00	1.10	0.039	0.043
L	170	180	6.929	7.087	328	332	12.91	13.07
ØL	-	3°	-	3°	-	3°	-	3°
M	1.50	2.50	0.059	0.098	1.50	2.50	0.059	0.098
ØN	12.8	13.2	0.504	0.520	12.8	13.2	0.504	0.520
ØP	21.5	22.5	0.846	0.886	21.5	22.5	0.847	0.886
T	1.00	2.00	0.039	0.078	1.00	2.00	0.039	0.078
V	53.0	54.0	2.087	2.126	53.0	54.0	2.087	2.126
W	7.90	8.90	0.311	0.350	24.4	16.4	0.961	1.039

## Tape and Reel Options



SECTION A-A



Quantity Per Reel	
DPAK	2000
D2PAK	800
PLCC-20	1000
SO-8	2500
SO-14	2500
SO-16	2500
SO-24 (WB)	1500
TO-236 (SOT-23)	2500
TO-253 (SOT-143)	

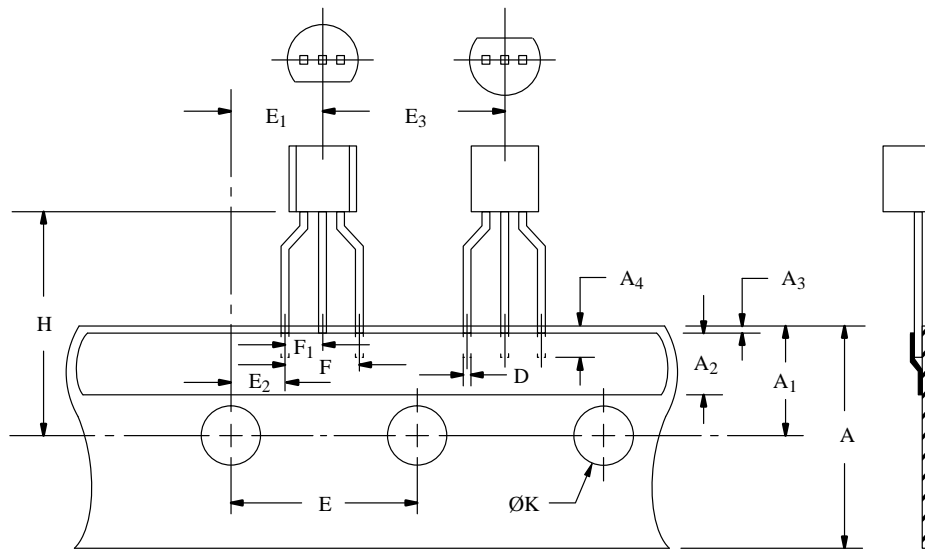
Dim	SO-8				SO-14				SO-16			
	Millimeters		Inches		Millimeters		Inches		Millimeters		Inches	
	Min	Max	Min	Max	Min	Max	Min	Max	Min	Max	Min	Max
A	11.9	12.1	0.469	0.476	15.9	16.1	0.626	0.634	15.9	16.1	0.626	0.634
B	1.65	1.85	0.065	0.073	1.65	1.85	0.065	0.073	1.65	1.85	0.065	0.073
C	5.10	5.30	0.201	0.209	9.05	9.25	0.356	0.364	10.35	10.55	0.407	0.415
D	6.30	6.50	0.248	0.256	6.55	6.75	0.258	0.266	6.55	6.75	0.258	0.266
E	7.90	8.60	0.311	0.339	7.90	8.10	0.311	0.319	7.90	8.10	0.311	0.319
F	3.90	4.10	0.154	0.161	3.90	4.10	0.154	0.161	3.90	4.10	0.154	0.161
G	5.10	5.30	0.200	0.209	9.05	9.25	0.356	0.364	10.35	10.55	0.407	0.415
H	0.25	0.35	0.010	0.014	0.25	0.35	0.010	0.014	0.25	0.35	0.010	0.014
ØJ	1.50	1.60	0.059	0.063	1.50	1.60	0.060	0.063	1.50	1.60	0.060	0.063
K	1.90	2.30	0.075	0.091	1.90	2.30	0.075	0.091	1.90	2.30	0.075	0.091
ØK	1.50	1.70	0.059	0.067	1.40	1.60	0.055	0.063	1.40	1.60	0.055	0.063
L	328	332	12.91	13.07	328	332	12.91	13.07	328	332	12.91	13.07
ØL	-	3°	-	3°	-	3°	-	3°	-	3°	-	3°
M	1.50	2.50	0.059	0.098	1.50	2.50	0.059	0.098	1.50	2.50	0.059	0.098
ØN	12.8	13.2	0.504	0.520	12.8	13.2	0.054	0.520	12.8	13.2	0.054	0.520
ØP	21.5	22.5	0.847	0.886	21.5	22.5	0.847	0.886	21.5	22.5	0.847	0.886
T	1.00	2.00	0.039	0.078	1.00	2.00	0.039	0.078	1.00	2.00	0.039	0.078
V	53.0	54.0	2.087	2.126	53.0	54.0	2.087	2.126	53.0	54.0	2.087	2.126
W	12.4	14.4	0.488	2.667	16.4	18.4	0.646	0.724	16.4	18.4	0.646	0.724

## Tape and Reel Options (Cont'd)

Dim	SO-24 (Widebody)				DPAK				D <sup>2</sup> PAK			
	Millimeters		Inches		Millimeters		Inches		Millimeters		Inches	
	Min	Max	Min	Max	Min	Max	Min	Max	Min	Max	Min	Max
A	10.3	11.2	0.406	0.441	15.9	16.1	0.626	0.634	29.7	24.3	1.169	0.957
B	1.65	1.85	0.065	0.073	1.65	1.85	0.065	0.073	1.65	1.85	0.065	0.073
C	15.9	16.1	0.626	0.634	6.80	7.00	0.268	0.276	15.7	15.9	0.618	0.626
D	10.8	11.0	0.425	0.433	10.4	10.6	0.409	0.417	10.5	10.7	0.413	0.422
E	11.9	12.1	0.469	0.476	11.9	12.1	0.469	0.476	15.9	16.1	0.626	0.634
F	3.90	4.10	0.154	0.161	3.90	4.10	0.154	0.161	3.90	4.10	0.154	0.161
G	15.9	16.1	0.626	0.634	6.80	7.00	0.268	0.276	15.7	15.9	0.618	0.626
H	0.25	0.35	0.010	0.014	0.25	0.35	0.010	0.014	0.25	0.35	0.010	0.014
ØJ	1.50	1.60	0.059	0.063	1.50	1.60	0.059	0.063	1.50	1.60	0.059	0.063
K	2.8	3.2	0.110	0.126	2.50	2.70	0.098	0.1063	4.80	5.00	0.189	0.197
ØK	1.50	1.70	0.059	0.067	1.50	1.70	0.059	0.067	1.50	2.00	0.059	0.067
L	328	332	12.91	13.07	328	332	12.91	13.07	328	332	12.91	13.07
ØL	–	3°	–	3°	–	3°	–	3°	–	3°	–	3°
M	1.50	2.50	0.059	0.098	1.50	2.50	0.059	0.098	1.50	2.50	0.059	0.098
ØN	12.8	13.2	0.504	0.520	12.8	13.2	0.504	0.520	12.8	13.2	0.504	0.520
ØP	21.5	22.5	0.847	0.886	21.5	22.5	0.847	0.886	21.5	22.5	0.847	0.886
T	1.00	2.00	0.039	0.078	1.00	2.00	0.039	0.078	1.00	2.00	0.039	0.078
V	53.0	54.0	2.087	2.126	53.0	54.0	2.087	2.126	53.0	54.0	2.087	2.126
W	24.4	26.4	0.961	1.039	16.4	18.4	0.646	0.724	24.4	26.4	0.961	1.039

Dim	TO-236 (SOT-23)/TO-253 (SOT-143)				PLCC-20			
	Millimeters		Inches		Millimeters		Inches	
	Min	Max	Min	Max	Min	Max	Min	Max
A	7.80	8.20	0.307	0.323	15.7	16.3	0.618	0.642
B	1.65	1.85	0.065	0.073	1.65	1.85	0.065	0.073
C	2.60	2.80	0.102	0.110	10.2	10.4	0.402	0.409
D	3.00	3.20	0.118	0.126	10.2	10.4	0.402	0.409
E	3.90	4.10	0.154	0.161	11.9	12.1	0.469	0.476
F	3.90	4.10	0.154	0.161	3.90	4.10	0.154	0.161
G	2.60	2.80	0.102	0.110	10.2	10.4	0.402	0.409
H	0.25	0.35	0.010	0.014	0.25	0.35	0.010	0.014
ØJ	1.50	1.60	0.059	0.063	1.50	1.60	0.059	0.063
K	1.10	1.30	0.043	0.051	4.80	5.00	0.189	0.197
ØK	0.90	1.10	0.035	0.043	1.50	1.70	0.059	0.067
L	170	180	6.929	7.087	356	360	14.02	14.17
ØL	–	3°	–	3°	–	3°	–	3°
M	1.50	2.50	0.059	0.098	1.50	2.50	0.059	0.098
ØN	12.8	13.2	0.504	0.520	12.8	13.2	0.504	0.520
ØP	21.5	22.5	0.846	0.886	21.5	22.5	0.846	0.886
T	1.00	2.00	0.039	0.078	1.00	2.00	0.039	0.079
V	53.0	54.0	2.087	2.126	53.0	54.0	2.087	2.126
W	7.90	8.90	0.311	0.350	15.4	16.4	0.606	0.646

## Tape and Reel Options for TO-226AA (TO-92)

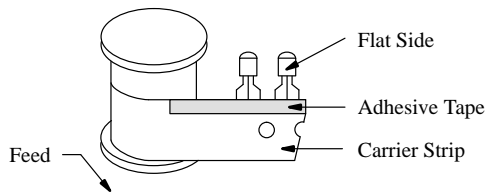


Dim	Millimeters	
	Min	Max
A	17.5	18.5
A <sub>1</sub>	8.5	9.5
A <sub>2</sub>	3	9
A <sub>3</sub>	-	0.5
A <sub>4</sub>	4.5	-
D	0.50 typ. dia.	
E	12.5	12.9
E <sub>1</sub>	5.85	6.85
E <sub>2</sub>	3.35	4.35
E <sub>3</sub>	11.7	13.7
F	4.8	5.8
F <sub>1</sub>	2.4	2.9
H	17.75	21.5
ØK	3.8	4.2

## Winding Styles for TO-226AA (TO-92)

### Option 1

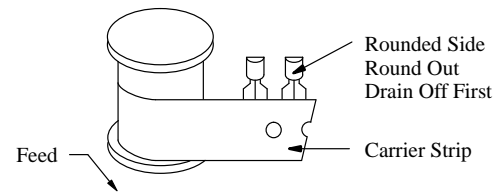
Style A is Preferred



Standard Tape & Reel Flat Out Gate Off First

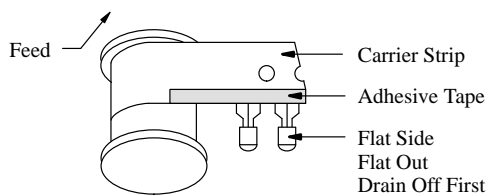
### Option 3

Style A is Preferred



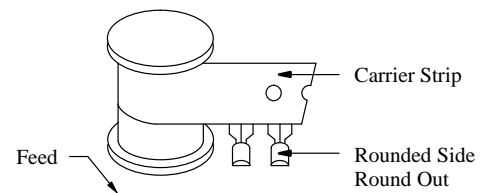
Rounded Side Transistor and Adhesive Tape Not Visible

### Option 2



Flat Side of Transistor and Adhesive Tape Visible

### Option 4



Rounded Side Transistor and Adhesive Tape Not Visible

Note: Refer to Option 1 for TO-237 package (drain off first).

## Tape and Reel Options

### TO-236 (SOT-23), TO-253 (SOT-143), and SOIC

