

**SANYO**

No.3671※

**STK4171X****2-Channel AF Power Amp****Preliminary**

Case Outline : 22 pins (See attached case outline drawing.)

Function : Dual-channel AF power amp

Use : 40W audio use

Feature : Built-in muting transistor

**Maximum Ratings at Ta = 25°C**

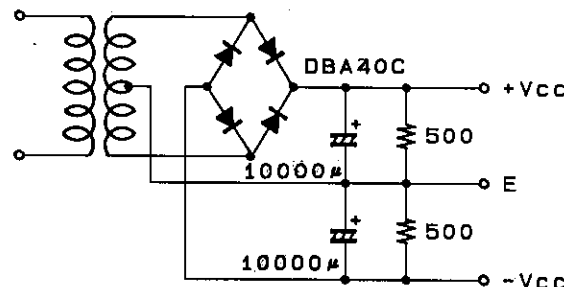
			unit
Supply Voltage	V <sub>CC</sub>	±49.5	V
Thermal Resistance	θ <sub>j-c</sub>	1.8	°C/W
Junction Temperature	T <sub>j</sub>	150	°C
Operating Case Temperature	T <sub>C</sub>	125	°C
Storage Temperature	T <sub>stg</sub>	-30 to +125	°C
Available Time for Load Shorted	t <sub>s</sub> ※1	V <sub>CC</sub> = ±33V, R <sub>L</sub> = 8Ω, f = 50Hz, P <sub>o</sub> = 40W	2 S

**Operating Characteristics at Ta = 25°C, R<sub>L</sub> = 8Ω, R<sub>g</sub> = 600Ω, V<sub>G</sub> = 40dB,**

			min	typ	max	unit
Quiescent Current	I <sub>cco</sub>	V <sub>CC</sub> = ±39.5V	50	100	150	mA
Output Power	P <sub>o</sub> (1)	V <sub>CC</sub> = ±33V, f = 20Hz to 20kHz, THD = 0.02%	40			W
	P <sub>o</sub> (2)	V <sub>CC</sub> = ±28.5V, f = 1kHz, THD = 0.08%, R <sub>L</sub> = 4Ω	45			W
Total Harmonic Distortion	THD	V <sub>CC</sub> = ±33V, P <sub>o</sub> = 1.0W, f = 1kHz			0.02	%
Frequency Characteristic	f <sub>L</sub> , f <sub>H</sub>	V <sub>CC</sub> = ±33V, P <sub>o</sub> = 1.0W, ± <sub>3</sub> <sup>0</sup> dB		20 to 50k		Hz
Input Impedance	r <sub>i</sub>	V <sub>CC</sub> = ±33V, P <sub>o</sub> = 1.0W, f = 1kHz		55		kΩ
Output Noise Voltage	V <sub>NO</sub> ※2	V <sub>CC</sub> = ±39.5V, R <sub>g</sub> = 10kΩ			1.2	mVrms
Midpoint Voltage	V <sub>N</sub>	V <sub>CC</sub> = ±39.5V	-70	0	+70	mV
Muting Voltage	V <sub>M</sub>		-2	-5	-10	V

**Remarks**

- For power supply at the time of test, use a constant-voltage power supply unless otherwise specified.
- ※1 For measurement of the available time for load shorted and output noise voltage, use the specified transformer power supply shown below.
- ※2 The output noise voltage is represented by the peak value on rms scale (VTVM) of average value indicating type. For AC power supply, use an AC stabilized power supply (50Hz) to eliminate the effect of flicker noise in AC primary line.

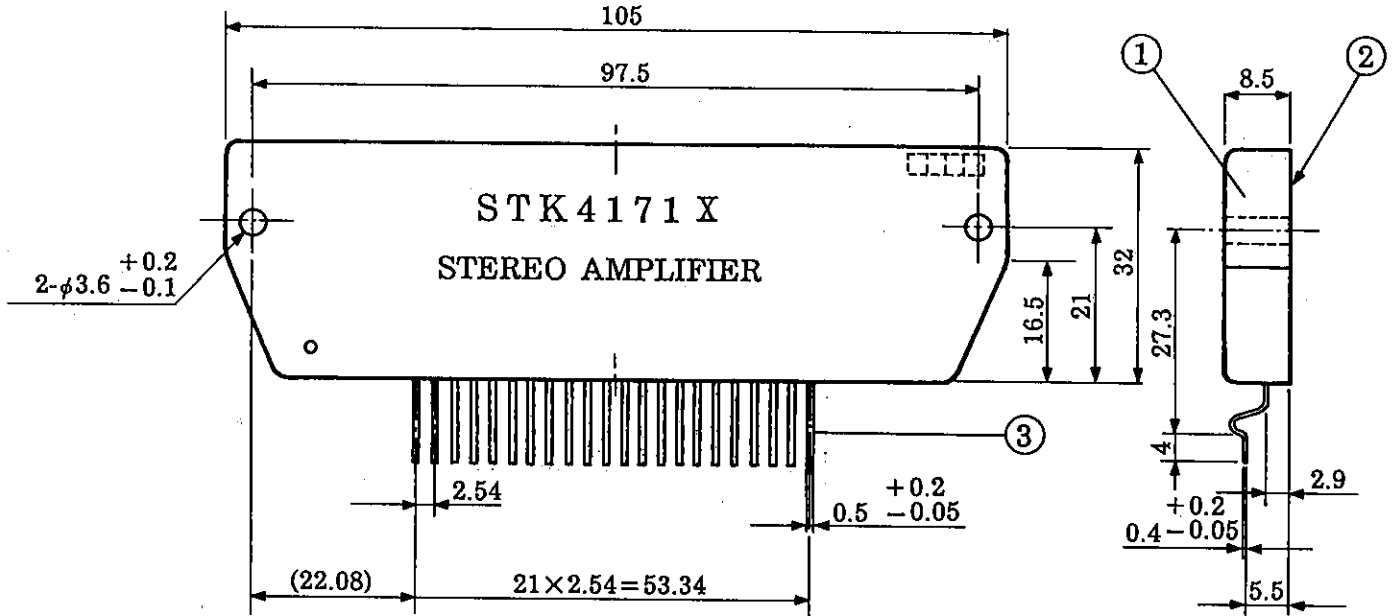


Specified transformer power supply (equivalent to MG-200)

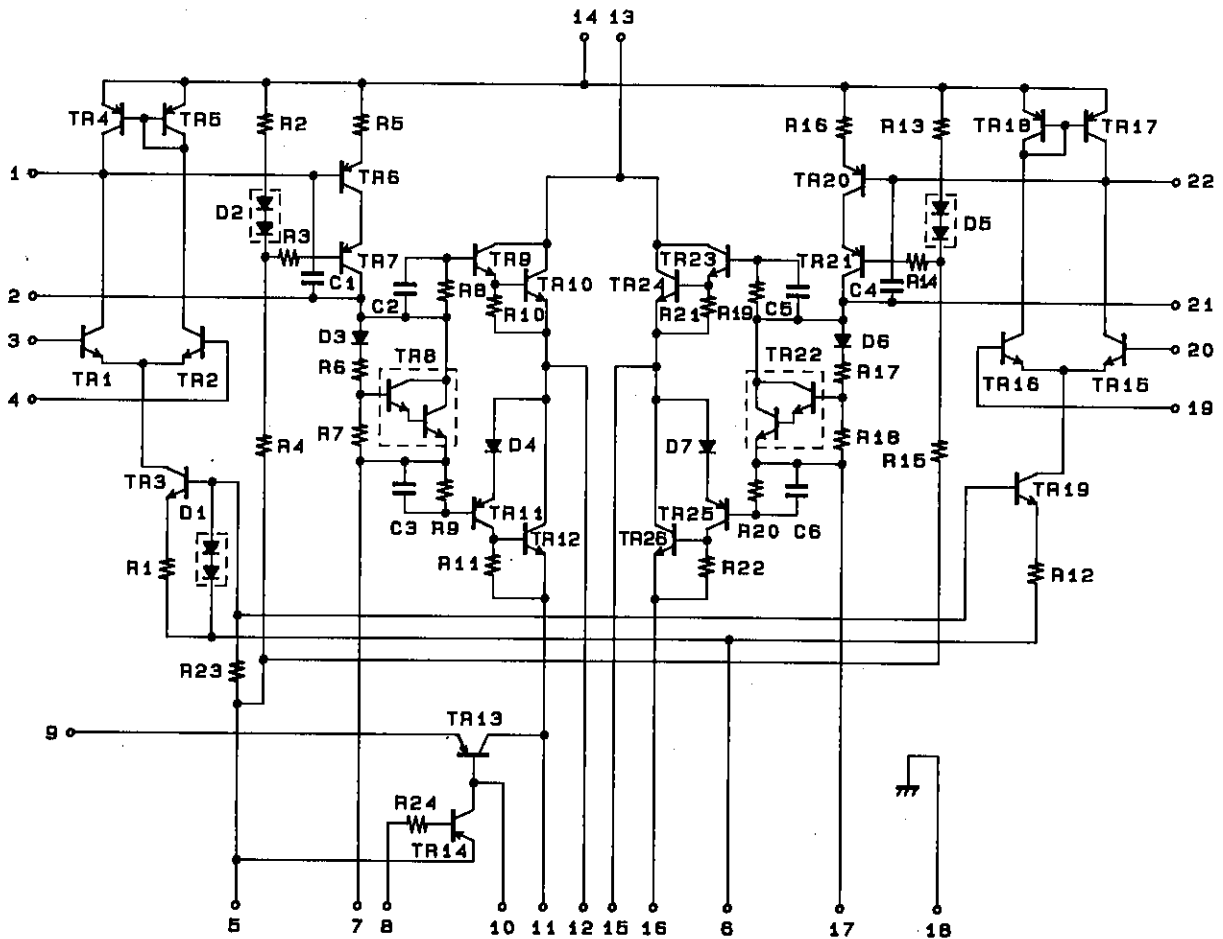
Unit (resistance: Ω, capacitance: F)

# STK4171X

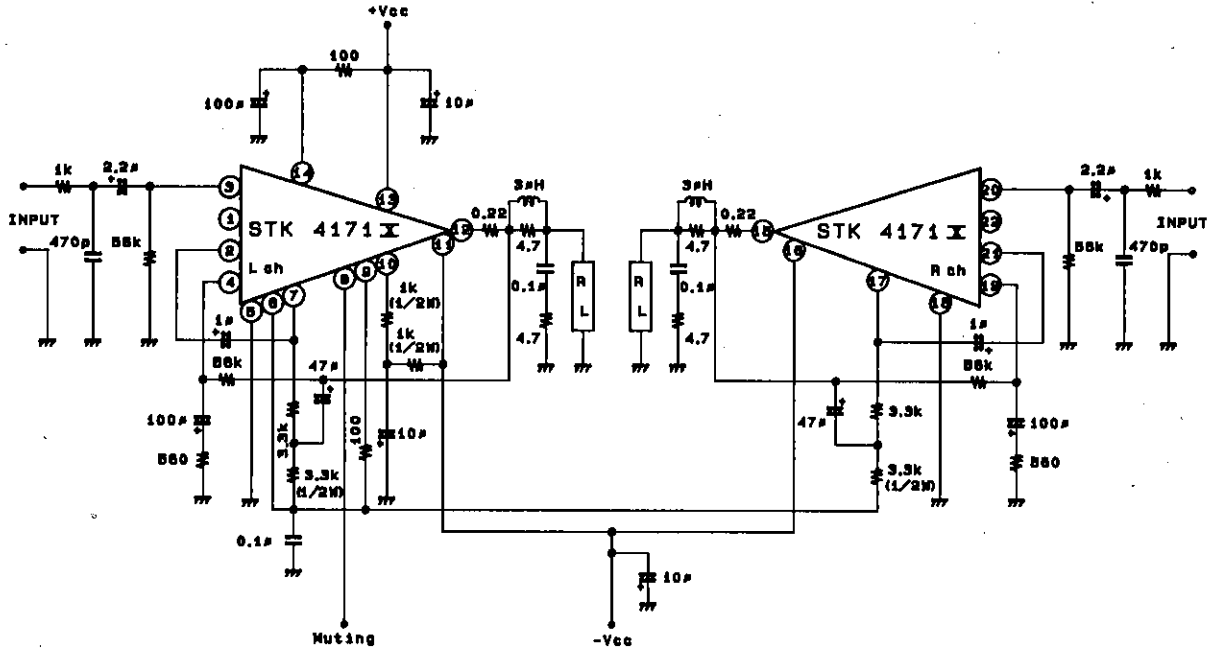
## Package Dimensions (unit: mm)



## Internal Equivalent Circuit



Test Circuit



Unit (resistance: Ω, capacitance: F)

■ No products described or contained herein are intended for use in surgical implants, life-support systems, aerospace equipment, nuclear power control systems, vehicles, disaster/crime-prevention equipment and the like, the failure of which may directly or indirectly cause injury, death or property loss.

■ Anyone purchasing any products described or contained herein for an above-mentioned use shall:

- ① Accept full responsibility and indemnify and defend SANYO ELECTRIC CO., LTD., its affiliates, subsidiaries and distributors and all their officers and employees, jointly and severally, against any and all claims and litigation and all damages, cost and expenses associated with such use;
- ② Not impose any responsibility for any fault or negligence which may be cited in any such claim or litigation on SANYO ELECTRIC CO., LTD., its affiliates, subsidiaries and distributors or any of their officers and employees jointly or severally.

■ Information (including circuit diagrams and circuit parameters) herein is for example only; it is not guaranteed for volume production. SANYO believes information herein is accurate and reliable, but no guarantees are made or implied regarding its use or any infringements of intellectual property rights or other rights of third parties.