

HC651 OCTAL BUS TRANSCEIVER/REGISTER (3-STATE, INV.) HC652 OCTAL BUS TRANSCEIVER/REGISTER (3-STATE)

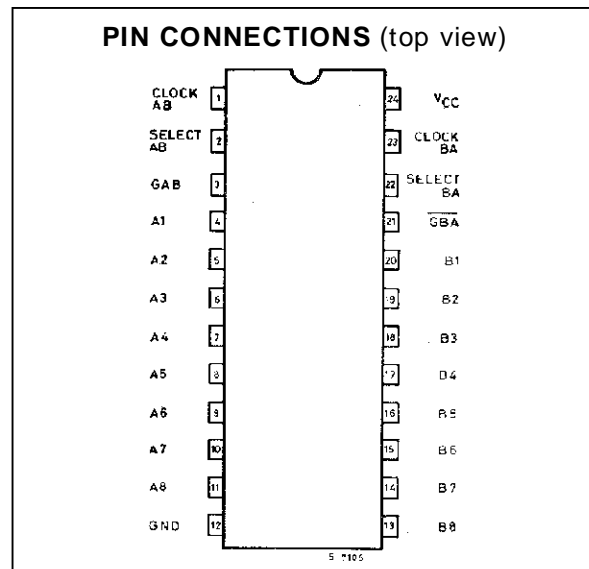
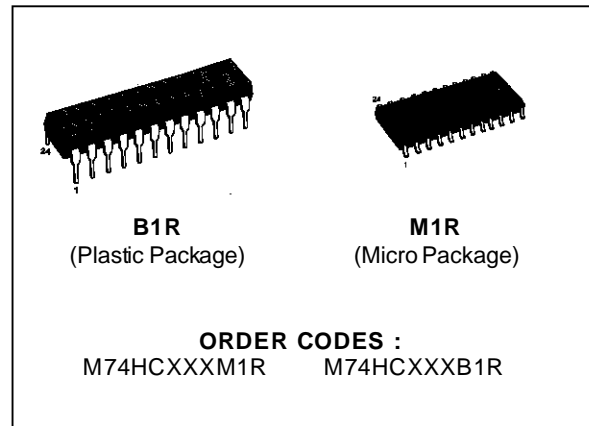
- HIGH SPEED
 $f_{MAX} = 73 \text{ MHz (TYP.) AT } V_{CC} = 5V$
- LOW POWER DISSIPATION
 $I_{CC} = 4 \mu\text{A (MAX.) AT } T_A = 25^\circ\text{C}$
- HIGH NOISE IMMUNITY
 $V_{NIH} = V_{NIL} = 28\% V_{CC} \text{ (MIN.)}$
- OUTPUT DRIVE CAPABILITY
 15 LSTTL LOADS
- SYMMETRICAL OUTPUT IMPEDANCE
 $|I_{OH}| = I_{OL} = 6 \text{ mA (MIN.)}$
- BALANCED PROPAGATION DELAYS
 $t_{PLH} = t_{PHL}$
- WIDE OPERATING VOLTAGE RANGE
 $V_{CC} \text{ (OPR)} = 2 \text{ V TO } 6 \text{ V}$
- PIN AND FUNCTION COMPATIBLE
 WITH 54/74LS651/652

DESCRIPTION

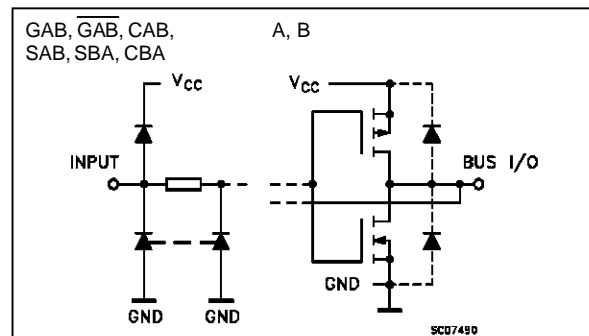
M74HC651/652 are high speed CMOS OCTAL BUS TRANSCEIVERS AND REGISTERS (3-STATE), fabricated in silicon gate C²MOS technology. They have the same high speed performance of LSTTL combined with true CMOS low power consumption. These devices consist of bus transceiver circuits, D-type flip-flops, and control circuitry arranged for multiplexed transmission of data directly from the input bus or from the internal storage registers. Enable GAB and GBA are provided to control the transceiver functions.

Select AB and Select BA control pins are provided to select whether real-time or stored data is transferred. A low input level selects real-time data, and a high selects stored data.

Data on the A or B bus, or both, can be stored in the internal D flip-flops by low-to-high transitions on the appropriate clock pins (CLOCK AB or CLOCK BA) regardless of the select or enable control pins. When select AB and select BA are in the real-time transfer mode, it is also possible to store data without using the internal D-type flip-flops by simultaneously enabling GAB and GBA. In this configuration each output reinforces its input. Thus, when all other data sources to the two sets of bus lines are at high impedance, each set of bus lines will remain at its last state. All inputs are equipped with protection circuits against static discharge and transient excess voltage.

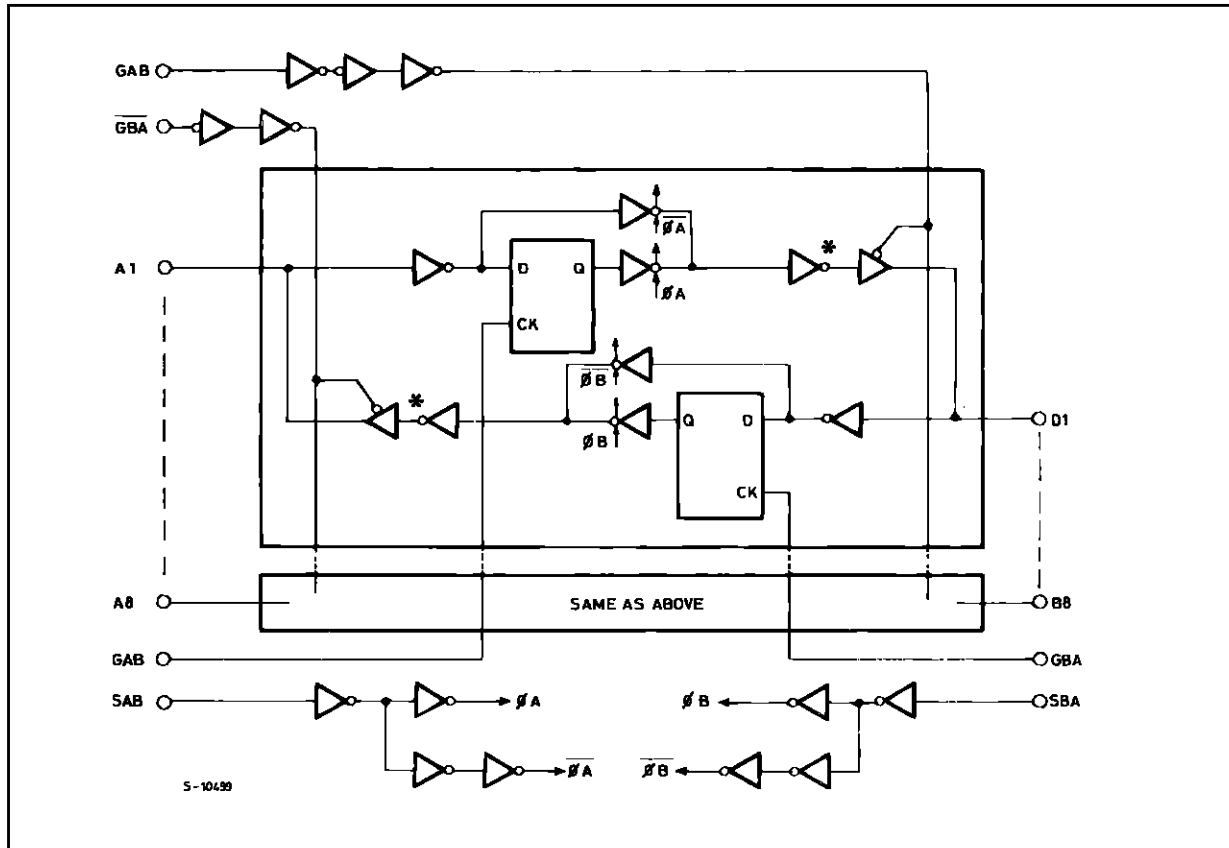


INPUT AND OUTPUT EQUIVALENT CIRCUIT



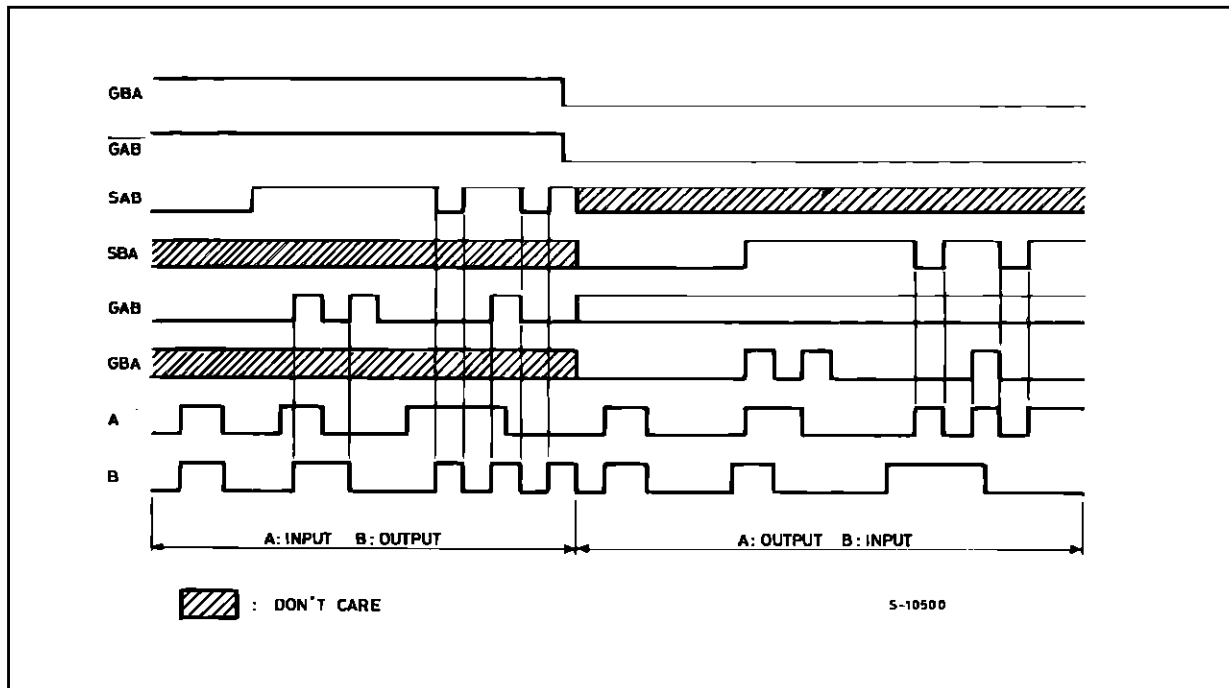
M74HC651/652

LOGIC DIAGRAM (HC652)



Note : In case of M74HC652 output inverter marked * at A bus and B bus are eliminated.

TIMING CHART



TRUTH TABLE

HC652 (The truth table for HC651 is the same as this, but with the outputs inverted)

| GAB | GBA | CAB | CBA | SAB | SBA | A | B | FUNCTION |
|-----|-----|-----------|-----------|-----|-----|---------|---------|---|
| L | H | | | | | INPUTS | INPUTS | Both the A bus and the B bus are inputs |
| | | X | X | X | X | Z | Z | The output functions of the A and B bus are disabled |
| | | \square | \square | X | X | INPUTS | INPUTS | Both the A and B bus are used for inputs to the internal flip-flops. Data at the bus will be stored on low to high transition of the clock inputs |
| L | L | | | | | OUTPUTS | INPUTS | The A bus are outputs and the B bus are inputs |
| | | X* | X | X | L | L | L | The data at the B bus are displayed at the A bus |
| | | X* | \square | X | L | L | L | The data at the B bus are displayed at the A bus. The data of the B bus are stored to the internal flip-flop on low to high transition of the clock pulse |
| | | X* | X | X | H | Qn | X | The data stored to the internal flip-flop are displayed at the A bus |
| | | X* | \square | X | H | L | L | The data at the B bus are stored to the internal flip-flop on low to high transition of the clock pulse. The states of the internal flip-flops output directly to the A bus |
| H | H | | | | | INPUTS | OUTPUTS | The A bus are inputs and the B bus are outputs |
| | | X | X* | L | X | L | L | The data at the A bus are displayed at the B bus |
| | | \square | X* | L | X | L | L | The data at the A bus are displayed at the B bus. The data of the A bus are stored to the internal flip-flop on low to high transition of the clock pulse |
| | | X | X* | H | X | X | Qn | The data stored to the internal flip-flops are displayed at the B bus |
| | | \square | X* | H | X | L | L | The data at the A bus are stored to the internal flip-flop on low to high transition of the clock pulse. The states of the internal flip-flops output directly to the B bus |
| H | L | | | | | OUTPUTS | OUTPUTS | Both the A bus and the B bus are outputs |
| | | X | X | H | H | Qn | Qn | The data stored to the internal flip-flops are displayed at the A and B bus respectively |
| | | \square | \square | H | H | Qn | Qn | The output at the A bus are displayed at the B bus, the output at the B bus are displayed at the A bus respectively |

X : DON'T CARE

Z : HIGH IMPEDANCE

Qn : THE DATA STORED TO THE INTERNAL FLIP-FLOPS BY MOST RECENT LOW TO HIGH TRANSITION OF THE CLOCK INPUTS

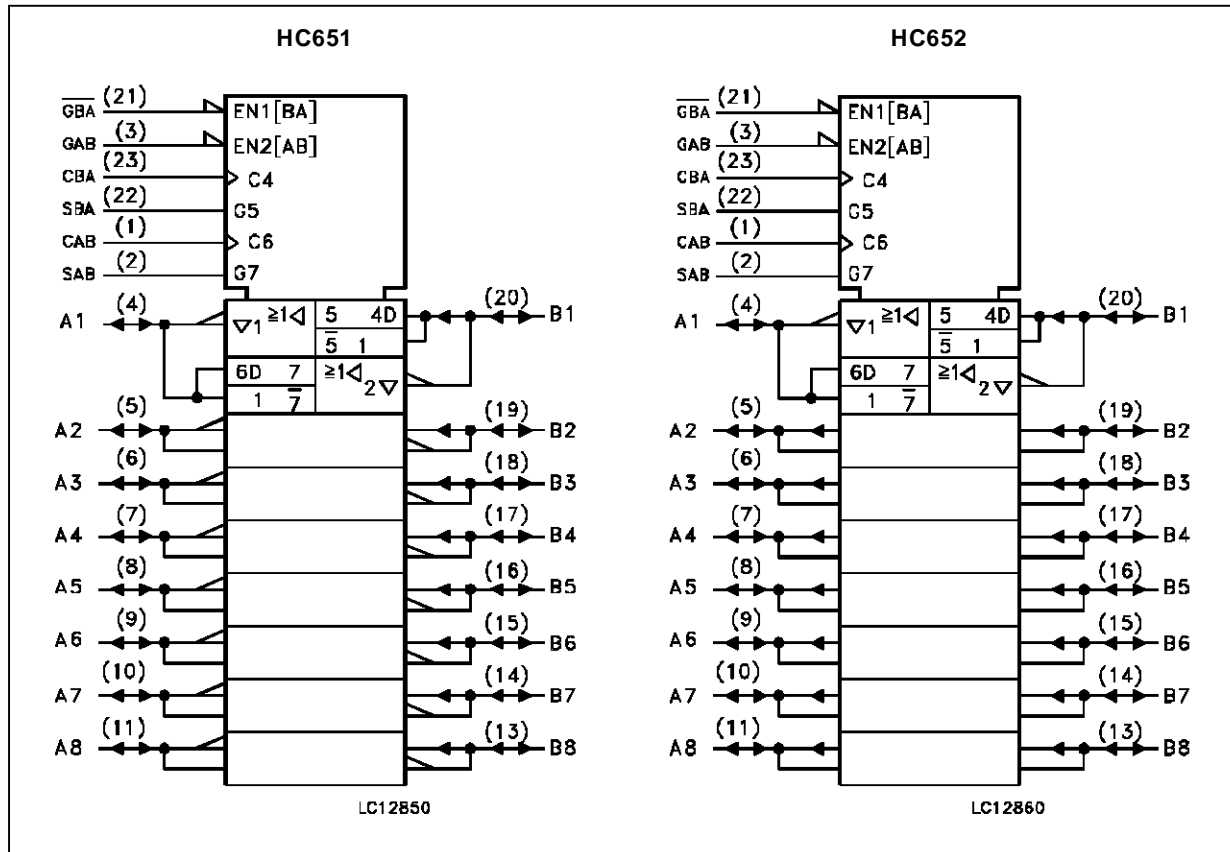
* : THE DATA AT THE A AND B BUS WILL BE STORED TO THE INTERNAL FLIP-FLOPS ON EVERY LOW TO HIGH TRANSITION OF THE CLOCK INPUTS

M74HC651/652

PIN DESCRIPTION

| PIN No | SYMBOL | NAME AND FUNCTION |
|--------------------------------|-------------------------|--|
| 1 | CLOCK AB | A to B Clock Input (LOW to HIGH, Edge-Triggered) |
| 2 | SELECT AB | Select A to B Source Input |
| 3 | GAB | Direction Control Input |
| 4, 5, 6, 7, 8, 9, 10, 11 | A1 to A8 | A data Inputs/Outputs |
| 20, 19, 18, 17, 16, 15, 14, 13 | B1 to B8 | B Data Inputs/Outputs |
| 21 | $\overline{\text{GBA}}$ | Output Enable Input (Active LOW) |
| 22 | SELECT BA | Select B to A Source Input |
| 23 | CLOCK BA | B to A Clock Input (LOW to HIGH, Edge-Triggered) |
| 12 | GND | Ground (0V) |
| 24 | Vcc | Positive Supply Voltage |

IEC LOGIC SYMBOLS



ABSOLUTE MAXIMUM RATINGS

| Symbol | Parameter | Value | Unit |
|-------------------------------------|--|-------------------------------|------|
| V _{CC} | Supply Voltage | -0.5 to +7 | V |
| V _I | DC Input Voltage | -0.5 to V _{CC} + 0.5 | V |
| V _O | DC Output Voltage | -0.5 to V _{CC} + 0.5 | V |
| I _{IK} | DC Input Diode Current | ± 20 | mA |
| I _{OK} | DC Output Diode Current | ± 20 | mA |
| I _O | DC Output Source Sink Current Per Output Pin | ± 35 | mA |
| I _{CC} or I _{GND} | DC V _{CC} or Ground Current | ± 70 | mA |
| P _D | Power Dissipation | 500 (*) | mW |
| T _{stg} | Storage Temperature | -65 to +150 | °C |
| T _L | Lead Temperature (10 sec) | 300 | °C |

Absolute Maximum Ratings are those values beyond which damage to the device may occur. Functional operation under these condition is not implied.

(*) 500 mW: ≡ 65 °C derate to 300 mW by 10mW/°C: 65 °C to 85 °C

RECOMMENDED OPERATING CONDITIONS

| Symbol | Parameter | Value | Unit |
|---------------------------------|--------------------------|-------------------------|------|
| V _{CC} | Supply Voltage | 2 to 6 | V |
| V _I | Input Voltage | 0 to V _{CC} | V |
| V _O | Output Voltage | 0 to V _{CC} | V |
| T _{op} | Operating Temperature: | -40 to +85 | °C |
| t _r , t _f | Input Rise and Fall Time | V _{CC} = 2 V | ns |
| | | V _{CC} = 4.5 V | |
| | | V _{CC} = 6 V | |

DC SPECIFICATIONS

| Symbol | Parameter | Test Conditions | | Value | | | | | Unit | |
|-----------------|----------------------------------|------------------------|--|--------------------------|------|------|--------------|------|------|----|
| | | V _{CC} (V) | | T _A = 25 °C | | | -40 to 85 °C | | | |
| | | | | Min. | Typ. | Max. | Min. | Max. | | |
| V _{IH} | High Level Input Voltage | 2.0 | | 1.5 | | | 1.5 | | V | |
| | | 4.5 | | 3.15 | | | 3.15 | | | |
| | | 6.0 | | 4.2 | | | 4.2 | | | |
| V _{IL} | Low Level Input Voltage | 2.0 | | | | 0.5 | | 0.5 | V | |
| | | 4.5 | | | | 1.35 | | 1.35 | | |
| | | 6.0 | | | | 1.8 | | 1.8 | | |
| V _{OH} | High Level Output Voltage | 2.0 | V _I = V _{IH} or V _{IL} | I _O = -20 μA | 1.9 | 2.0 | | 1.9 | | V |
| | | 4.5 | | | 4.4 | 4.5 | | 4.4 | | |
| | | 6.0 | | | 5.9 | 6.0 | | 5.9 | | |
| | | 4.5 | I _O = -6.0 mA | 4.18 | 4.31 | | 4.13 | | | |
| | | 6.0 | | I _O = -7.8 mA | 5.68 | 5.8 | | 5.63 | | |
| V _{OL} | Low Level Output Voltage | 2.0 | V _I = V _{IH} or V _{IL} | I _O = 20 μA | | 0.0 | 0.1 | | 0.1 | V |
| | | 4.5 | | | | 0.0 | 0.1 | | 0.1 | |
| | | 6.0 | | | | 0.0 | 0.1 | | 0.1 | |
| | | 4.5 | I _O = 6.0 mA | | 0.17 | 0.26 | | 0.37 | | |
| | | 6.0 | | I _O = 7.8 mA | | 0.18 | 0.26 | | 0.37 | |
| I _I | Input Leakage Current | 6.0 | V _I = V _{CC} or GND | | | | ±0.1 | | ±1 | μA |
| I _{OZ} | 3 State Output Off State Current | 6.0 | V _I = V _{IH} or V _{IL} V _O = V _{CC} or GND | | | | ±0.5 | | ±5.0 | μA |
| I _{CC} | Quiescent Supply Current | 6.0 | V _I = V _{CC} or GND | | | | 4 | | 40 | μA |

AC ELECTRICAL CHARACTERISTICS (Input t_r = t_f = 6 ns)

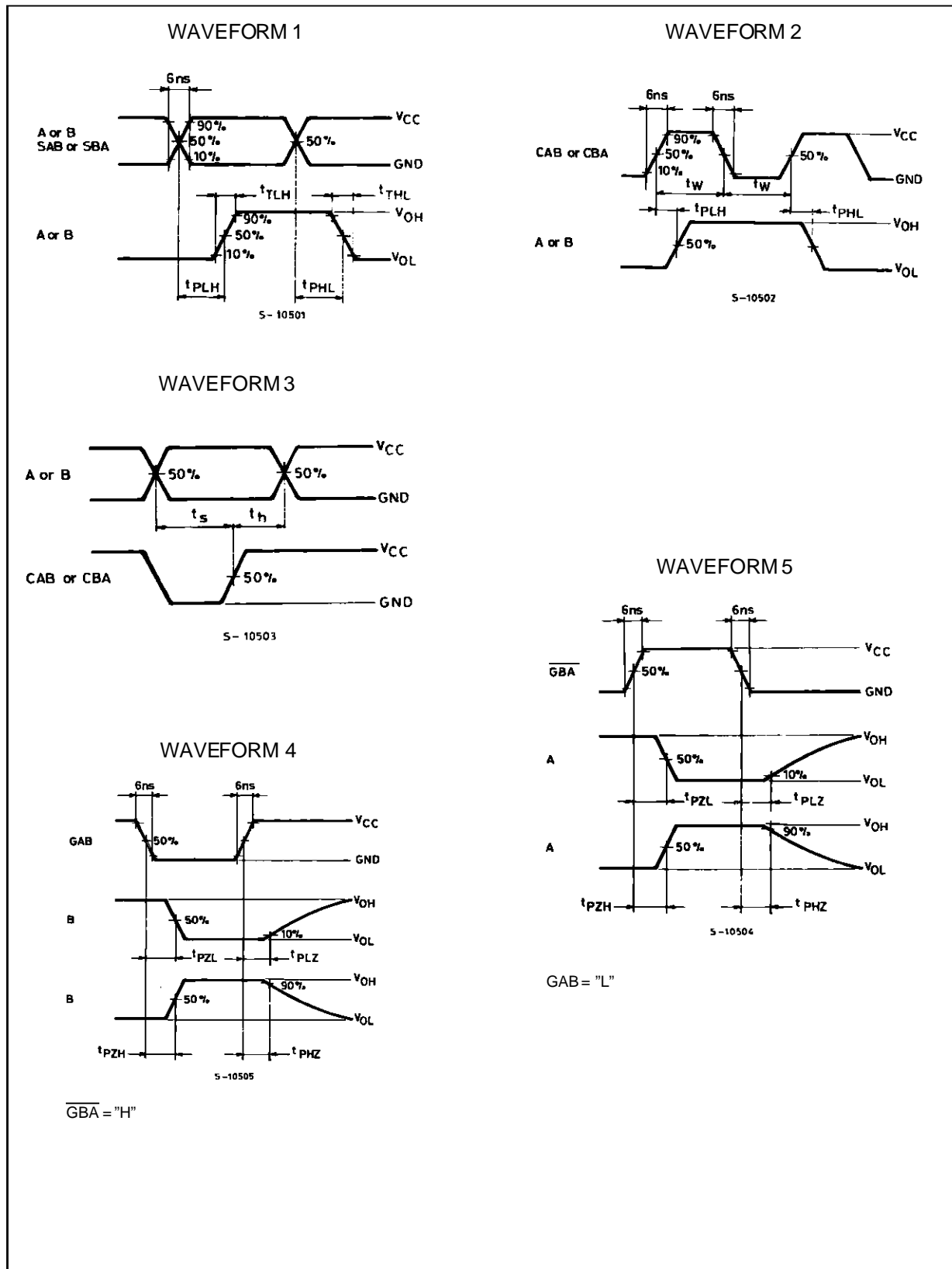
| Symbol | Parameter | Test Conditions | | Value | | | | | Unit |
|--------------------------------------|---|------------------------|------------------------|------------------------|------|------|--------------|------|------|
| | | V _{CC} (V) | C _L (pF) | T _A = 25 °C | | | -40 to 85 °C | | |
| | | | | Min. | Typ. | Max. | Min. | Max. | |
| t _{TLH} t _{THL} | Output Transition Time | 2.0 | 50 | | 25 | 60 | | 75 | ns |
| | | 4.5 | | 7 | 12 | | 15 | | |
| | | 6.0 | | 6 | 10 | | 13 | | |
| t _{PLH} t _{PHL} | Propagation Delay Time (BUS - BUS) | 2.0 | 50 | | 74 | 150 | | 190 | ns |
| | | 4.5 | | 21 | 30 | | 38 | | |
| | | 6.0 | | 18 | 26 | | 32 | | |
| t _{PLH} t _{PHL} | Propagation Delay Time (CLOCK - BUS) | 2.0 | 150 | | 91 | 190 | | 240 | ns |
| | | 4.5 | | 26 | 38 | | 48 | | |
| | | 6.0 | | 22 | 32 | | 41 | | |
| t _{PLH} t _{PHL} | Propagation Delay Time (CLOCK - BUS) | 2.0 | 50 | | 98 | 210 | | 265 | ns |
| | | 4.5 | | 28 | 42 | | 53 | | |
| | | 6.0 | | 24 | 36 | | 45 | | |
| t _{PLH} t _{PHL} | Propagation Delay Time (CLOCK - BUS) | 2.0 | 150 | | 116 | 250 | | 315 | ns |
| | | 4.5 | | 33 | 50 | | 63 | | |
| | | 6.0 | | 28 | 43 | | 54 | | |

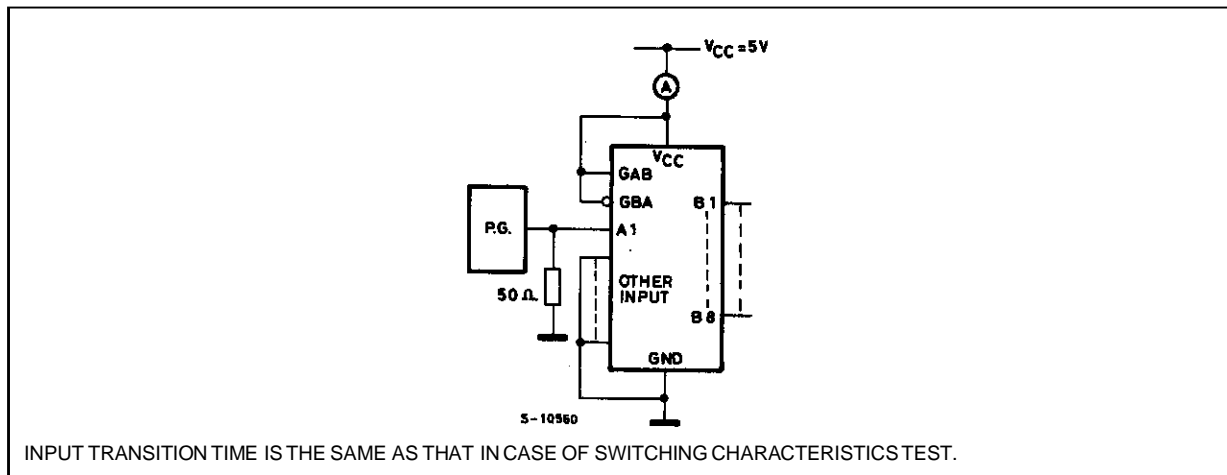
AC ELECTRICAL CHARACTERISTICS (Continued)

| Symbol | Parameter | Test Conditions | | | Value | | | | | Unit | |
|--|--|------------------------|------------------------|------------------------|------------------------|----------|------|--------------|------|------|----|
| | | V _{CC} (V) | C _L (pF) | | T _A = 25 °C | | | -40 to 85 °C | | | |
| | | | | | Min. | Typ. | Max. | Min. | Max. | | |
| t _{PLH} t _{PHL} | Propagation Delay Time (SELECT - BUS) | 2.0 | 50 | | | 81 | 170 | | 215 | ns | |
| | | 4.5 | | | | 23 | 34 | | 43 | | |
| | | 6.0 | | | | 20 | 29 | | 37 | | |
| | | 2.0 | 150 | | | 98 | 210 | | 265 | | ns |
| | | 4.5 | | | | 28 | 42 | | 53 | | |
| | | 6.0 | | | | 24 | 36 | | 45 | | |
| t _{PZL} t _{PZH} | 3-State Output Enable Time | 2.0 | 50 | R _L = 1 KΩ | | 74 | 175 | | 220 | ns | |
| | | 4.5 | | | | 21 | 35 | | 44 | | |
| | | 6.0 | | | | 18 | 30 | | 37 | | |
| | | 2.0 | 150 | | R _L = 1 KΩ | | 91 | 215 | | 270 | ns |
| | | 4.5 | | | | | 26 | 43 | | 54 | |
| | | 6.0 | | | | | 22 | 37 | | 46 | |
| t _{PLZ} t _{PHZ} | Output Disable Time | 2.0 | 50 | R _L = 1 KΩ | | | 50 | 175 | | 220 | ns |
| | | 4.5 | | | | | 21 | 35 | | 44 | |
| | | 6.0 | | | | | 18 | 30 | | 37 | |
| f _{MAX} | Maximum Clock Frequency | 2.0 | 50 | | 6 | 19 | | 4.8 | | MHz | |
| | | 4.5 | | | 30 | 67 | | 24 | | | |
| | | 6.0 | | | 35 | 79 | | 28 | | | |
| t _{W(H)} t _{W(L)} | Minimum Clock Pulse Width | 2.0 | 50 | | | 30 | 75 | | 95 | ns | |
| | | 4.5 | | | | 7 | 15 | | 19 | | |
| | | 6.0 | | | | 6 | 13 | | 16 | | |
| t _s | Minimum Set-up Time | 2.0 | 50 | | | 16 | 50 | | 65 | ns | |
| | | 4.5 | | | | 4 | 10 | | 13 | | |
| | | 6.0 | | | | 3 | 9 | | 11 | | |
| t _h | Minimum Hold Time | 2.0 | 50 | | | | 5 | | 5 | ns | |
| | | 4.5 | | | | | 5 | | 5 | | |
| | | 6.0 | | | | | 5 | | 5 | | |
| C _{IN} | Input Capacitance | | | | | 5 | 10 | | 10 | pF | |
| C _{I/O} | Bus Terminal Capacitance | | | | | 10 | | | | pF | |
| C _{PD} (*) | Power Dissipation Capacitance | | | for HC651 for HC652 | | 39 38 | | | | | pF |

(*) C_{PD} is defined as the value of the IC's internal equivalent capacitance which is calculated from the operating current consumption without load. (Refer to Test Circuit). Average operating current can be obtained by the following equation. I_{CC(opr)} = C_{PD} • V_{CC} • f_{IN} + I_{CC}/8 (per Channel)

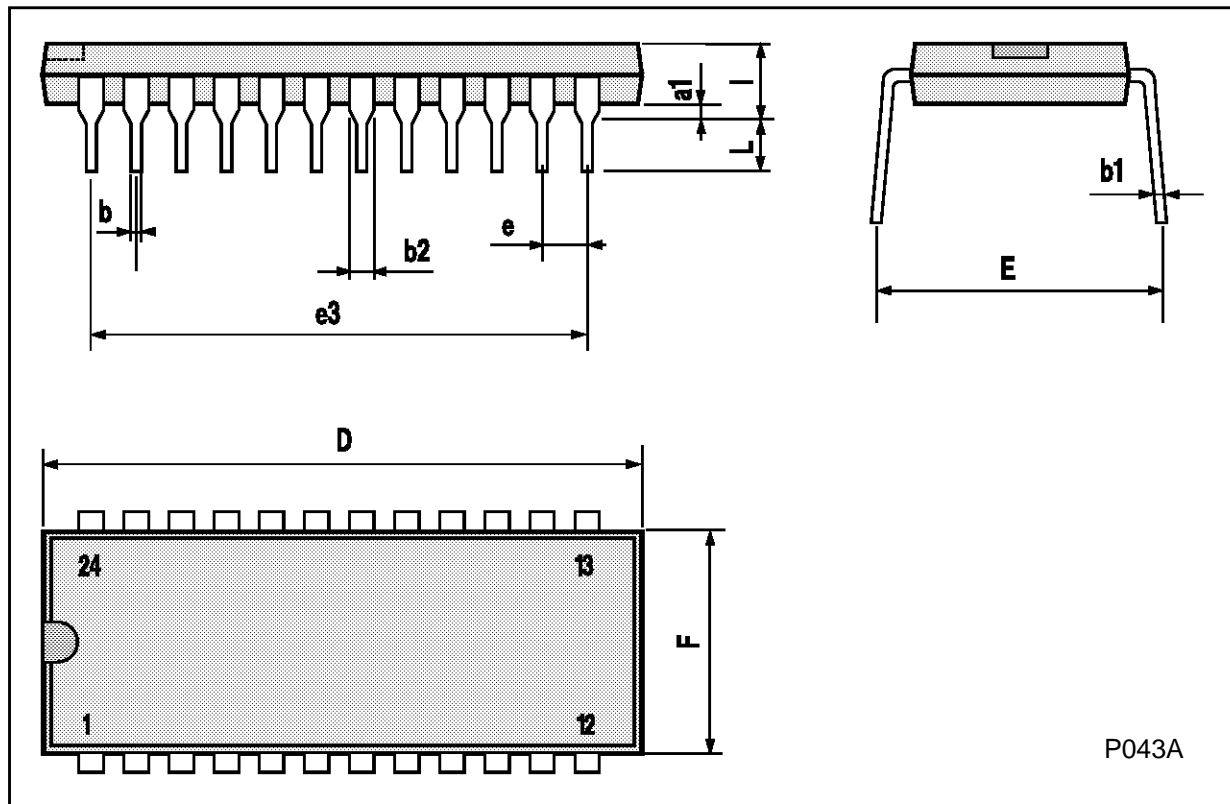
SWITCHING CHARACTERISTICS TEST CIRCUIT AND WAVEFORM



TEST WAVEFORM I_{cc} (Opr.)

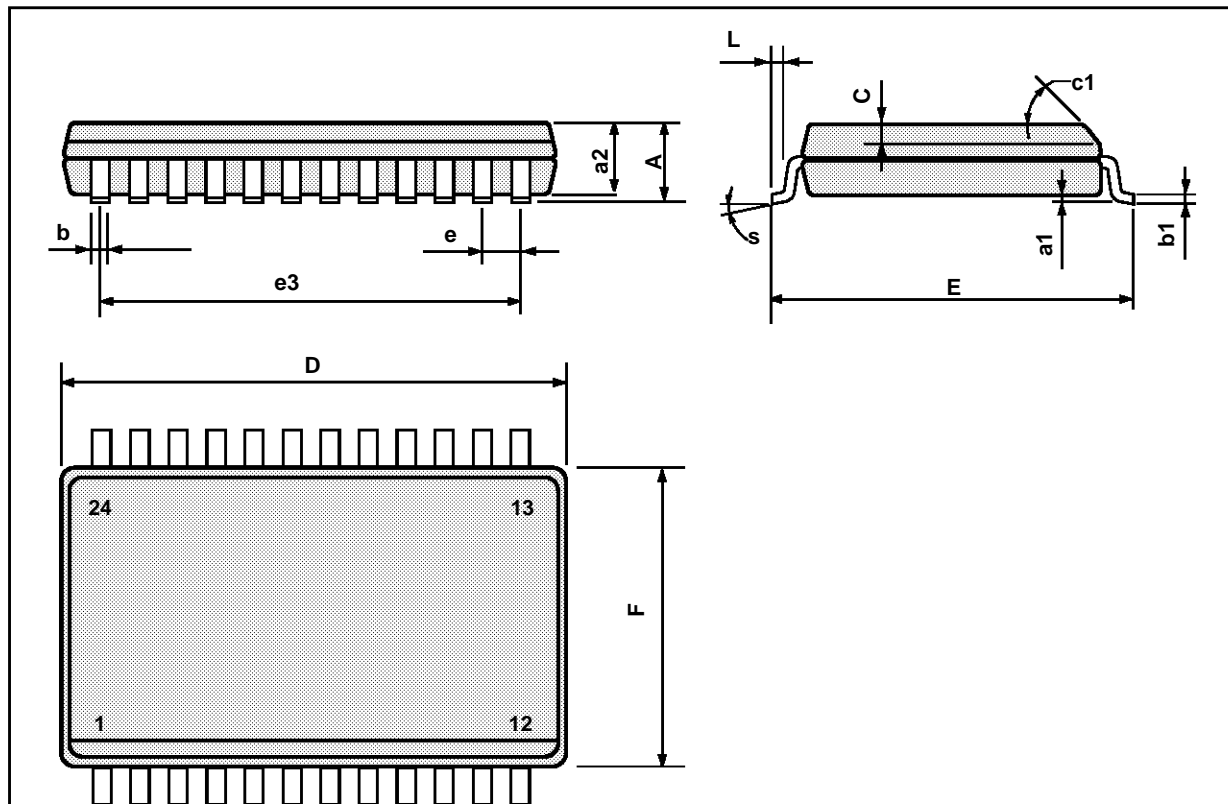
Plastic DIP24 (0.25) MECHANICAL DATA

| DIM. | mm | | | inch | | |
|------|------|-------|-------|-------|-------|-------|
| | MIN. | TYP. | MAX. | MIN. | TYP. | MAX. |
| a1 | | 0.63 | | | 0.025 | |
| b | | 0.45 | | | 0.018 | |
| b1 | 0.23 | | 0.31 | 0.009 | | 0.012 |
| b2 | | 1.27 | | | 0.050 | |
| D | | | 32.2 | | | 1.268 |
| E | 15.2 | | 16.68 | 0.598 | | 0.657 |
| e | | 2.54 | | | 0.100 | |
| e3 | | 27.94 | | | 1.100 | |
| F | | | 14.1 | | | 0.555 |
| l | | 4.445 | | | 0.175 | |
| L | | 3.3 | | | 0.130 | |



SO24 MECHANICAL DATA

| DIM. | mm | | | inch | | |
|------|------------|-------|-------|-------|-------|-------|
| | MIN. | TYP. | MAX. | MIN. | TYP. | MAX. |
| A | | | 2.65 | | | 0.104 |
| a1 | 0.10 | | 0.20 | 0.004 | | 0.007 |
| a2 | | | 2.45 | | | 0.096 |
| b | 0.35 | | 0.49 | 0.013 | | 0.019 |
| b1 | 0.23 | | 0.32 | 0.009 | | 0.012 |
| C | | 0.50 | | | 0.020 | |
| c1 | 45° (typ.) | | | | | |
| D | 15.20 | | 15.60 | 0.598 | | 0.614 |
| E | 10.00 | | 10.65 | 0.393 | | 0.420 |
| e | | 1.27 | | | 0.05 | |
| e3 | | 13.97 | | | 0.55 | |
| F | 7.40 | | 7.60 | 0.291 | | 0.299 |
| L | 0.50 | | 1.27 | 0.19 | | 0.050 |
| S | 8° (max.) | | | | | |



Information furnished is believed to be accurate and reliable. However, SGS-THOMSON Microelectronics assumes no responsibility for the consequences of use of such information nor for any infringement of patents or other rights of third parties which may result from its use. No license is granted by implication or otherwise under any patent or patent rights of SGS-THOMSON Microelectronics. Specifications mentioned in this publication are subject to change without notice. This publication supersedes and replaces all information previously supplied. SGS-THOMSON Microelectronics products are not authorized for use as critical components in life support devices or systems without express written approval of SGS-THOMSON Microelectronics.

© 1994 SGS-THOMSON Microelectronics - All Rights Reserved

SGS-THOMSON Microelectronics GROUP OF COMPANIES
Australia - Brazil - France - Germany - Hong Kong - Italy - Japan - Korea - Malaysia - Malta - Morocco - The Netherlands -
Singapore - Spain - Sweden - Switzerland - Taiwan - Thailand - United Kingdom - U.S.A