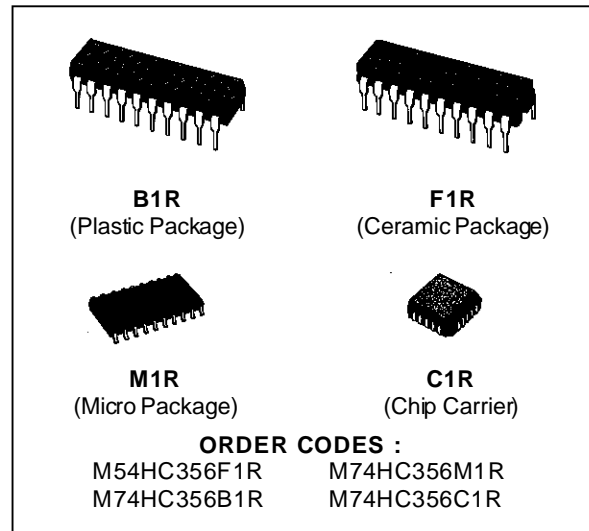


8 CHANNEL MULTIPLEXER/REGISTER WITH LATCHES (3-STATE)

- HIGH SPEED
t_{PD} = 25 ns (TYP.) AT V_{CC} = 5 V
- LOW POWER DISSIPATION
I_{CC} = 4 μA (MAX.) AT T_A = 25 °C
- HIGH NOISE IMMUNITY
V_{NIH} = V_{NIL} = 28 % V_{CC} (MIN.)
- OUTPUT DRIVE CAPABILITY
15 LSTTL LOADS
- SYMMETRICAL OUTPUT IMPEDANCE
|I_{OH}| = I_{OL} = 6 mA (MIN.)
- BALANCED PROPAGATION DELAYS
t_{PLH} = t_{PHL}
- WIDE OPERATING VOLTAGE RANGE
V_{CC} (OPR) = 2 V TO 6 V
- PIN AND FUNCTION COMPATIBLE WITH
54/74LS356

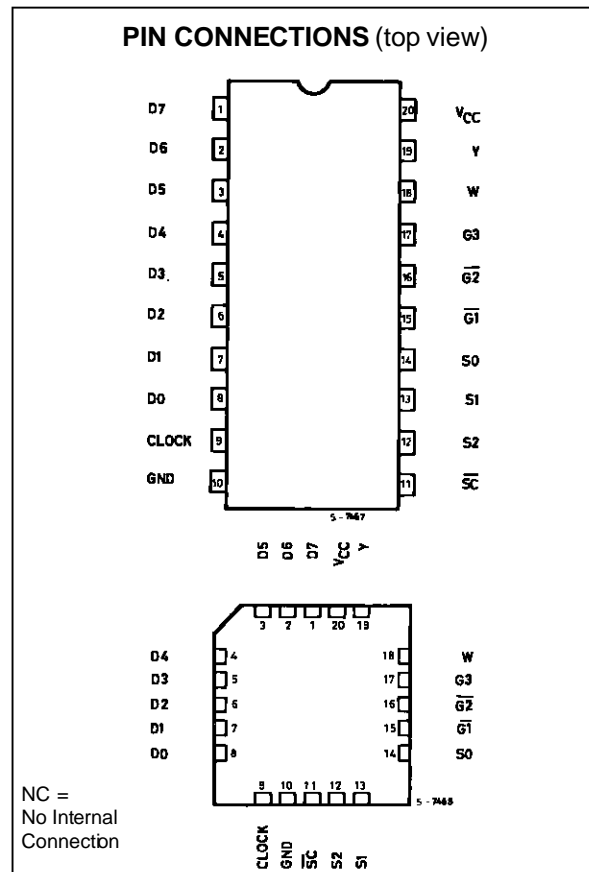


DESCRIPTION

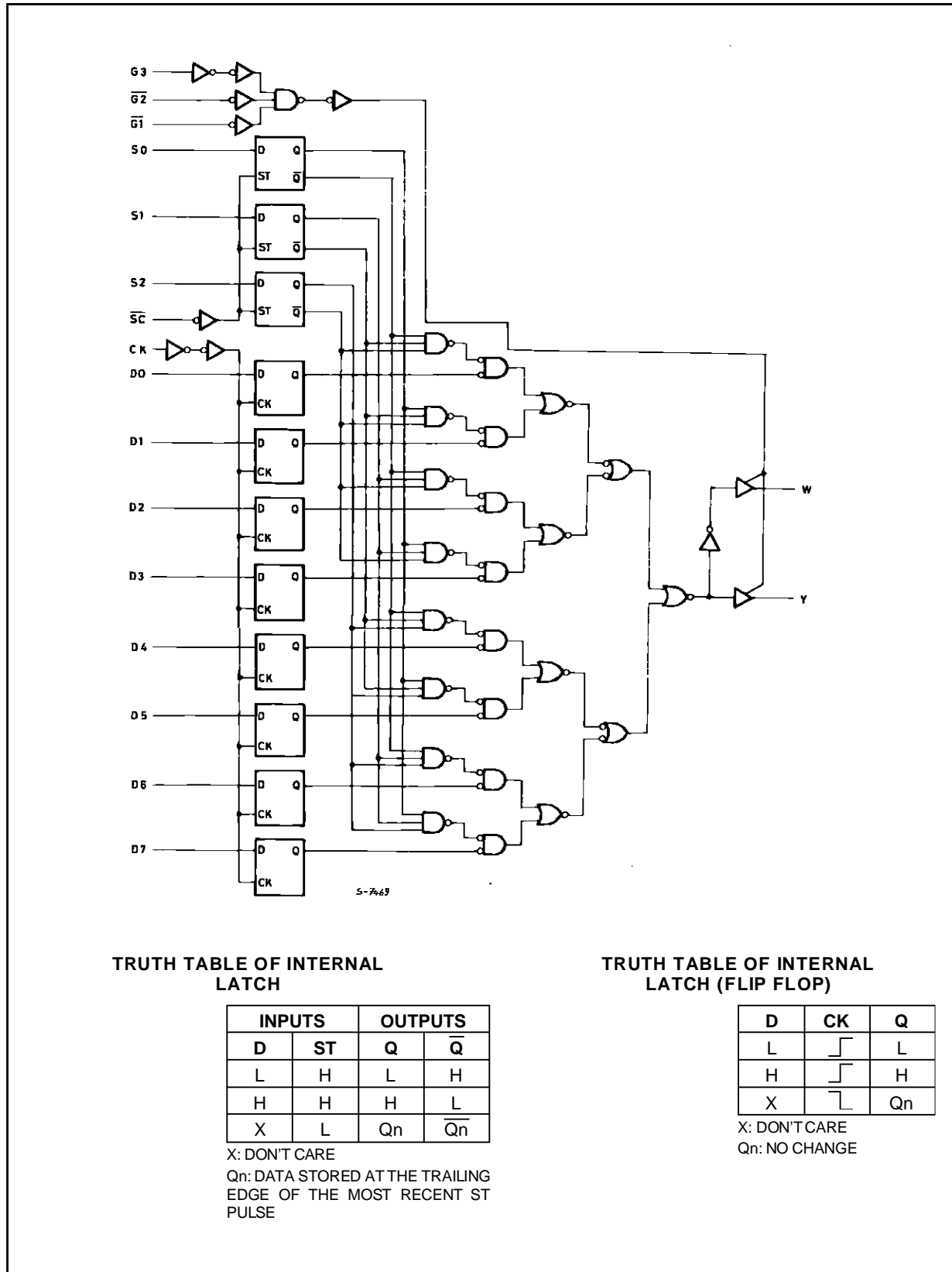
The M54/74HC356 is a high speed CMOS 8-CHANNEL MULTIPLEXER/REGISTER (3-State) fabricated in silicon gate C²MOS technology. It has the same high speed performance of LSTTL combined with true CMOS low consumption.

This device contains an 8 channel digital multiplexer with an 8-bit input data register and a 3-bit address input register with 3-state outputs. The one of eight input data will be provided on the Y output pin (non-inverted output) and W output pin (inverted output) is determined by the address data.

The information at the data inputs (D0 to D7) is stored in the 8-bit flip-flop at the positive going edge of clock input (CLOCK). The information at the address inputs (S0 to S2) is stored in the 3-bit latch at the negative pulse on SC input. These outputs are disabled to be high-impedance when input G1 is held high, input G2 is held high or input G3 is held low. This device is suitable for interfacing with bus lines in a bus organized system. The M54/74HC356 is similar in function to the M54/74HC354, which has an 8-bit latch as the data register instead of an 8-bit flip-flop. All inputs are equipped with protection circuits against static discharge and transient excess voltage.



LOGIC DIAGRAM



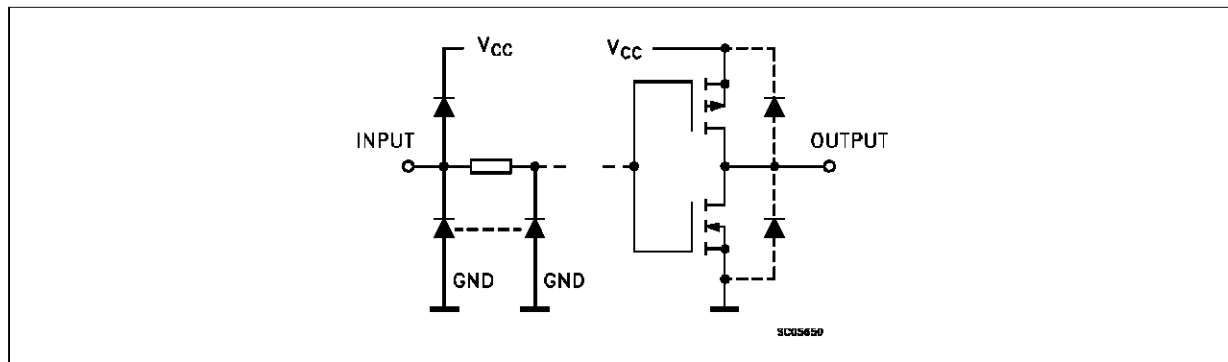
TRUTH TABLE

SELECT *			INPUTS				W	Y
S2	S1	S0	CLOCK	OUTPUT ENABLES				
				$\overline{G1}$	$\overline{G2}$	G3		
X	X	X	X	H	X	X	Z	Z
X	X	X	X	X	H	X	Z	Z
X	X	X	X	X	X	L	Z	Z
L	L	L	\uparrow	L	L	H	$\overline{D0}$	D0
L	L	L	\downarrow	L	L	H	$\overline{D0n}$	D0n
L	L	H	\uparrow	L	L	H	$\overline{D1}$	D1
L	L	H	\downarrow	L	L	H	$\overline{D1n}$	D1n
L	H	L	\uparrow	L	L	H	$\overline{D2}$	D2
L	H	L	\downarrow	L	L	H	$\overline{D2n}$	D2n
L	H	H	\uparrow	L	L	H	$\overline{D3}$	D3
L	H	H	\downarrow	L	L	H	$\overline{D3n}$	D3n
H	L	L	\uparrow	L	L	H	$\overline{D4}$	D4
H	L	L	\downarrow	L	L	H	$\overline{D4n}$	D4n
H	L	H	\uparrow	L	L	H	$\overline{D5}$	D5
H	L	H	\downarrow	L	L	H	$\overline{D5n}$	D5n
H	H	L	\uparrow	L	L	H	$\overline{D6}$	D6
H	H	L	\downarrow	L	L	H	$\overline{D6n}$	D6n
H	H	H	\uparrow	L	L	H	$\overline{D7}$	D7
H	H	H	\downarrow	L	L	H	$\overline{D7n}$	D7n

X: DON'T CARE Z: HIGH IMPEDANCE *: This column shows the input address setup with SC LOW.

D1 D7: The level of steady state inputs at input D1 through D7, respectively, at the time of the LOW to HIGH transition of the clock.

INPUT AND OUTPUT EQUIVALENT CIRCUIT

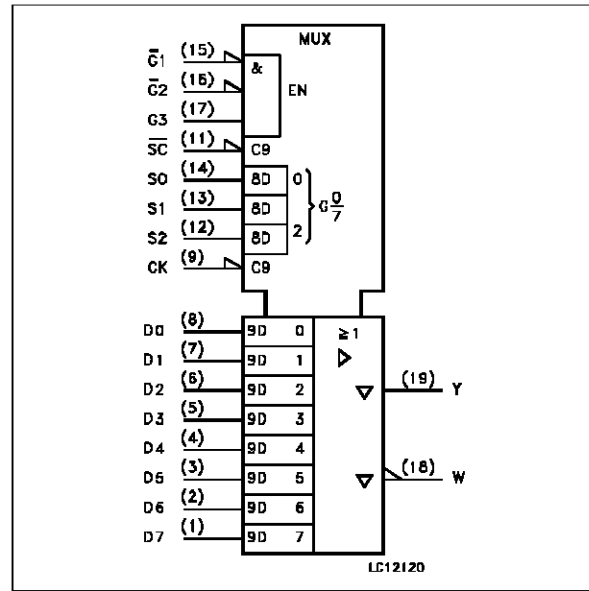


M54/M74HC356

PIN DESCRIPTION

PIN No	SYMBOL	NAME AND FUNCTION
8, 7, 6, 5, 4, 3, 2, 1	D0 to D7	Data Inputs
9	CLOCK	Clock Input (LOW to HIGH, Edge-triggered)
11	\overline{SC}	Latch Enable Input (Active LOW)
14, 13, 12	S0, S1, S2	Select Inputs
15, 16	$\overline{G1}$, $\overline{G2}$	Output Enable Inputs (Active LOW)
17	G3	Output Enable Inputs (Active HIGH)
18	W	3 State Multiplexer Output (Active LOW)
19	Y	3 State Multiplexer Output (Active HIGH)
10	GND	Ground (0V)
20	V _{CC}	Positive Supply Voltage

IEC LOGIC SYMBOL



ABSOLUTE MAXIMUM RATING

Symbol	Parameter	Value	Unit
V _{CC}	Supply Voltage	-0.5 to +7	V
V _I	DC Input Voltage	-0.5 to V _{CC} + 0.5	V
V _O	DC Output Voltage	-0.5 to V _{CC} + 0.5	V
I _{IK}	DC Input Diode Current	± 20	mA
I _{OK}	DC Output Diode Current	± 20	mA
I _O	DC Output Source Sink Current Per Output Pin	± 35	mA
I _{CC} or I _{GND}	DC V _{CC} or Ground Current	± 70	mA
P _D	Power Dissipation	500 (*)	mW
T _{stg}	Storage Temperature	-65 to +150	°C
T _L	Lead Temperature (10 sec)	300	°C

Absolute Maximum Ratings are those values beyond which damage to the device may occur. Functional operation under these condition is not implied.

(*) 500 mW: ± 65 °C derate to 300 mW by 10mW/°C: 65 °C to 85 °C

RECOMMENDED OPERATING CONDITIONS

Symbol	Parameter	Value	Unit	
V _{CC}	Supply Voltage	2 to 6	V	
V _I	Input Voltage	0 to V _{CC}	V	
V _O	Output Voltage	0 to V _{CC}	V	
T _{op}	Operating Temperature: M54HC Series M74HC Series	-55 to +125 -40 to +85	°C °C	
t _r , t _f	Input Rise and Fall Time	V _{CC} = 2 V V _{CC} = 4.5 V V _{CC} = 6 V	0 to 1000 0 to 500 0 to 400	ns

DC SPECIFICATIONS

Symbol	Parameter	Test Conditions		Value						Unit		
		V _{CC} (V)		T _A = 25 °C 54HC and 74HC			-40 to 85 °C 74HC		-55 to 125 °C 54HC			
				Min.	Typ.	Max.	Min.	Max.	Min.		Max.	
V _{IH}	High Level Input Voltage	2.0		1.5			1.5		1.5		V	
		4.5		3.15			3.15		3.15			
		6.0		4.2			4.2		4.2			
V _{IL}	Low Level Input Voltage	2.0				0.5		0.5		0.5	V	
		4.5				1.35		1.35		1.35		
		6.0				1.8		1.8		1.8		
V _{OH}	High Level Output Voltage	2.0	V _I = V _{IH} or V _{IL}	I _O = -20 μA	1.9	2.0		1.9		1.9	V	
		4.5			4.4	4.5		4.4		4.4		
		6.0			5.9	6.0		5.9		5.9		
		4.5	I _O = -6.0 mA	4.18	4.31		4.13		4.10			
		6.0		I _O = -7.8 mA	5.68	5.8		5.63		5.60		
V _{OL}	Low Level Output Voltage	2.0	V _I = V _{IH} or V _{IL}	I _O = 20 μA		0.0	0.1		0.1		0.1	V
		4.5				0.0	0.1		0.1		0.1	
		6.0				0.0	0.1		0.1		0.1	
		4.5	I _O = 6.0 mA		0.17	0.26		0.33		0.40		
		6.0		I _O = 7.8 mA		0.18	0.26		0.33		0.40	
I _I	Input Leakage Current	6.0	V _I = V _{CC} or GND				±0.1		±1		±1	μA
I _{OZ}	3 State Output Off State Current	6.0	V _I = V _{IH} or V _{IL} V _O = V _{CC} or GND				±0.5		±5.0		±10	μA
I _{CC}	Quiescent Supply Current	6.0	V _I = V _{CC} or GND				4		40		80	μA

AC ELECTRICAL CHARACTERISTICS (C_L = 50 pF, Input t_r = t_f = 6 ns)

Symbol	Parameter	Test Conditions		Value						Unit	
		V _{CC} (V)	C _L (pF)	T _A = 25 °C 54HC and 74HC			-40 to 85 °C 74HC		-55 to 125 °C 54HC		
				Min.	Typ.	Max.	Min.	Max.	Min.		Max.
t _{TLH} t _{THL}	Output Transition Time	2.0	50		25	60		75		90	ns
		4.5			7	12		15		18	
		6.0			6	10		13		15	
t _{PLH} t _{PHL}	Propagation Delay Time (CLOCK - Y, W)	2.0	50		99	240		300		360	ns
		4.5			28	48		60		72	
		6.0			22	41		51		61	
		2.0	150		117	280		350		420	ns
		4.5			33	56		70		84	
6.0			26	48		60		71			

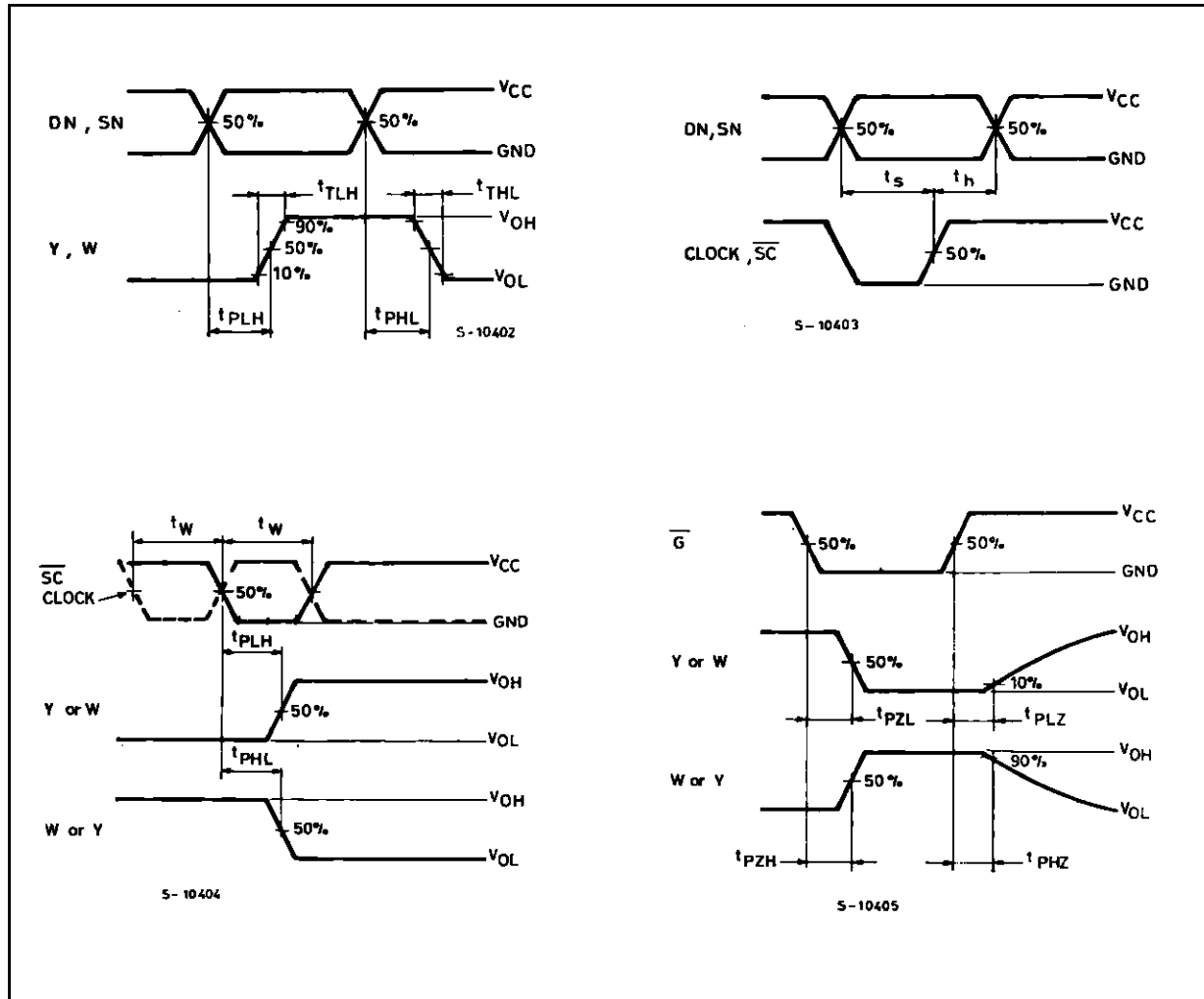
M54/M74HC356

AC ELECTRICAL CHARACTERISTICS (C_L = 50 pF, Input t_r = t_f = 6 ns)

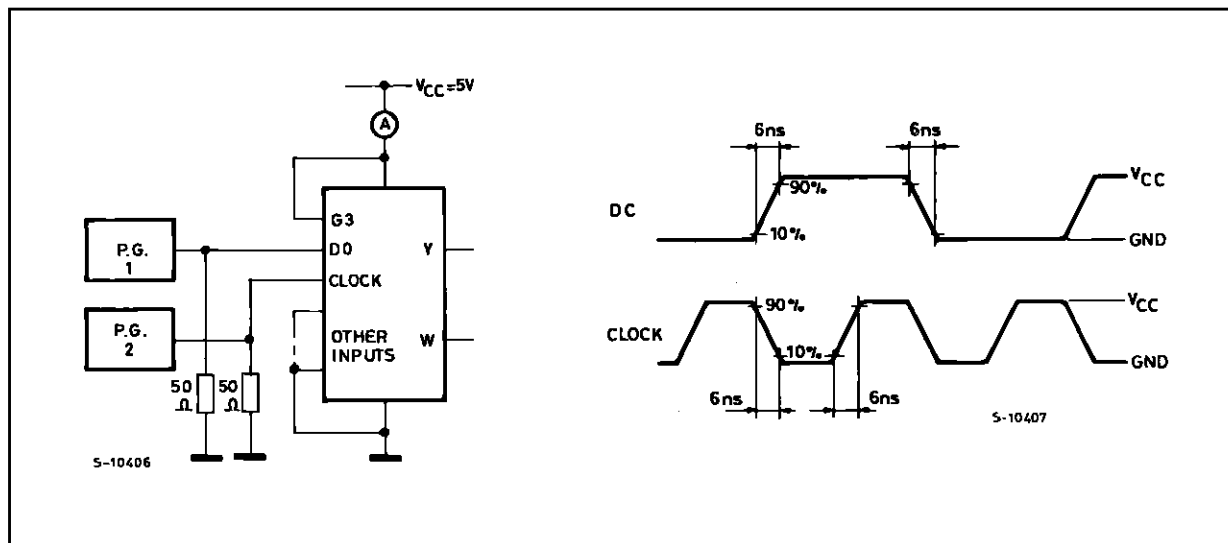
Symbol	Parameter	Test Conditions			Value						Unit	
		V _{CC} (V)	C _L (pF)		T _A = 25 °C 54HC and 74HC			-40 to 85 °C 74HC		-55 to 125 °C 54HC		
					Min.	Typ.	Max.	Min.	Max.	Min.		Max.
t _{PLH} t _{PHL}	Propagation Delay Time (Sn - Y, W)	2.0	50			111	260		325		390	ns
						32	52		65		78	
						24	44		55		66	
		2.0	150			128	300		375		450	ns
						37	60		75		90	
						28	51		64		77	
t _{PLH} t _{PHL}	Propagation Delay Time (SC - Y, W)	2.0	50			115	270		340		405	ns
						33	54		68		81	
						25	46		58		69	
		2.0	150			132	310		390		465	ns
						38	62		78		93	
						29	53		66		79	
t _{PZL} t _{PZH}	3 State Output Enable Time	2.0	50	R _L = 1 KΩ		48	125		155		190	ns
						14	25		31		38	
						11	21		26		32	
		2.0	150	R _L = 1 KΩ		65	165		205		250	ns
						19	33		41		50	
						15	28		35		43	
t _{PLZ} t _{PHZ}	3 State Output Disable Time	2.0	50	R _L = 1 KΩ		43	155		195		235	ns
						18	31		39		47	
						16	26		33		40	
f _{MAX}	Maximum Clock Frequency	2.0	50		6.2	20		5		4.2	ns	
					31	80		25		21		
					37	82		30		25		
t _{w(L)} t _{w(H)}	Minimum Pulse Width (CLOCK)	2.0	50			25	75		95		110	ns
						6	15		19		22	
						6	13		16		19	
t _{w(L)}	Minimum Pulse Width (SC)	2.0	50			13	75		95		110	ns
						6	15		19		22	
						6	13		16		19	
t _s	Minimum Set-up Time (Dn)	2.0	50			21	50		65		75	ns
						4	10		113		15	
						3	9		11		13	
t _s	Minimum Set-up Time (Sn)	2.0	50			9	50		65		75	ns
						2	10		13		15	
						2	9		11		13	
t _h	Minimum Hold Time (Dn) (Sn)	2.0	50				5		5		5	ns
									5		5	
									5		5	
C _{IN}	Input Capacitance					5	10		10		10	pF
C _{PD} (*)	Power Dissipation Capacitance					59						pF

(*) C_{PD} is defined as the value of the IC's internal equivalent capacitance which is calculated from the operating current consumption without load. (Refer to Test Circuit). Average operating current can be obtained by the following equation. I_{CC(opr)} = C_{PD} • V_{CC} • f_{IN} + I_{CC}

SWITCHING CHARACTERISTICS TEST WAVEFORM

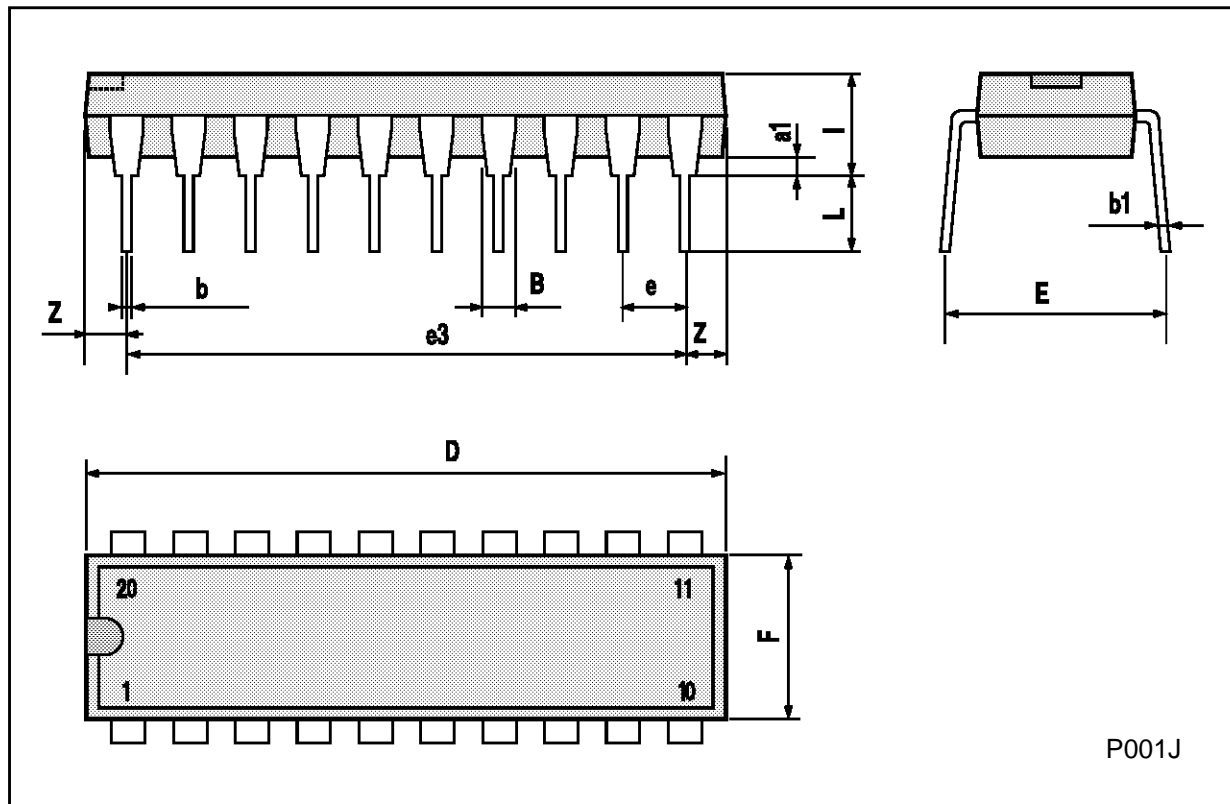


TEST CIRCUIT WAVEFORM I_{CC} (Opr.)



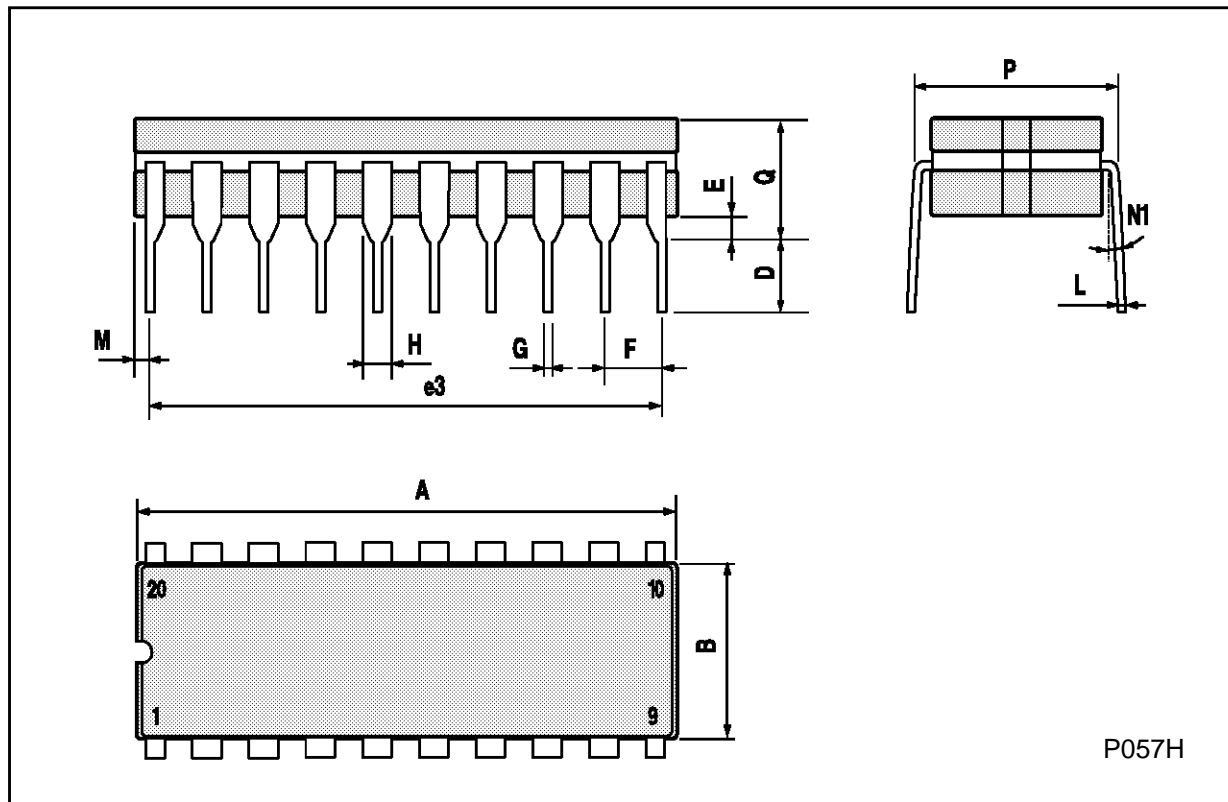
Plastic DIP20 (0.25) MECHANICAL DATA

DIM.	mm			inch		
	MIN.	TYP.	MAX.	MIN.	TYP.	MAX.
a1	0.254			0.010		
B	1.39		1.65	0.055		0.065
b		0.45			0.018	
b1		0.25			0.010	
D			25.4			1.000
E		8.5			0.335	
e		2.54			0.100	
e3		22.86			0.900	
F			7.1			0.280
I			3.93			0.155
L		3.3			0.130	
Z			1.34			0.053



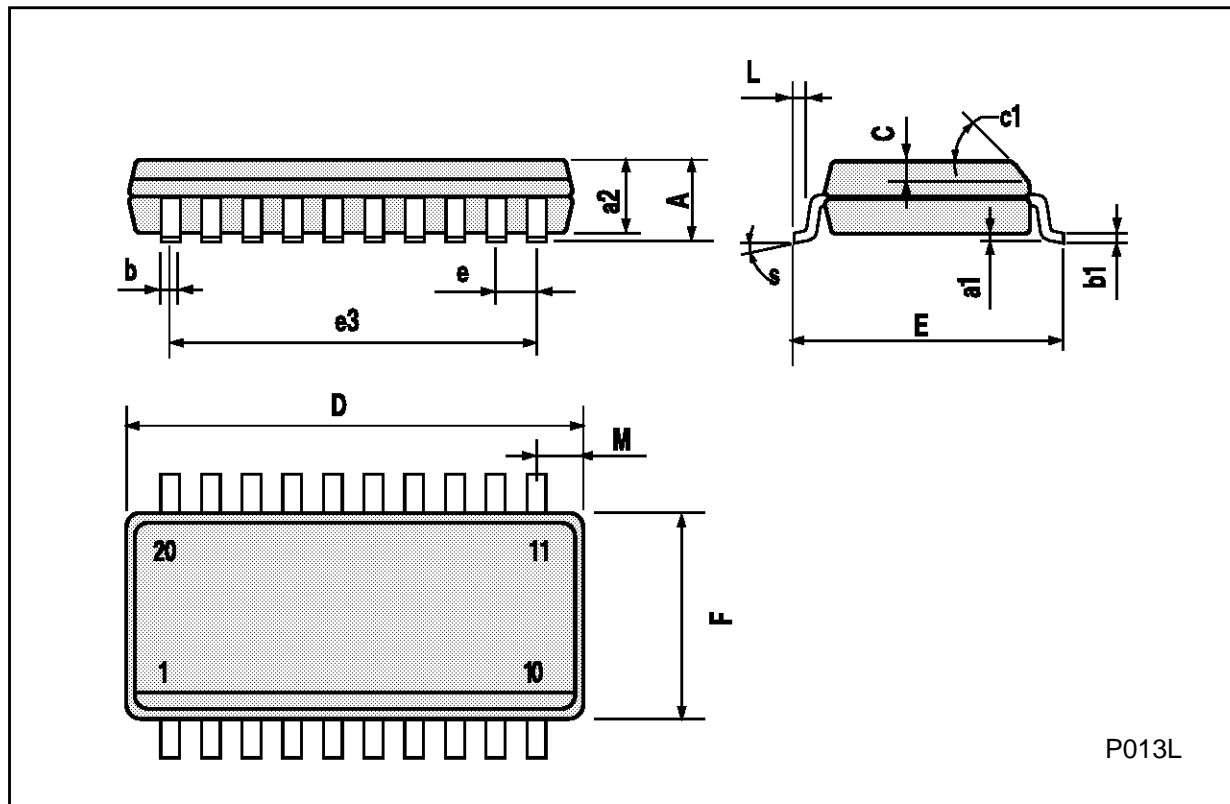
Ceramic DIP20 MECHANICAL DATA

DIM.	mm			inch		
	MIN.	TYP.	MAX.	MIN.	TYP.	MAX.
A			25			0.984
B			7.8			0.307
D		3.3			0.130	
E	0.5		1.78	0.020		0.070
e3		22.86			0.900	
F	2.29		2.79	0.090		0.110
G	0.4		0.55	0.016		0.022
I	1.27		1.52	0.050		0.060
L	0.22		0.31	0.009		0.012
M	0.51		1.27	0.020		0.050
N1	4° (min.), 15° (max.)					
P	7.9		8.13	0.311		0.320
Q			5.71			0.225



SO20 MECHANICAL DATA

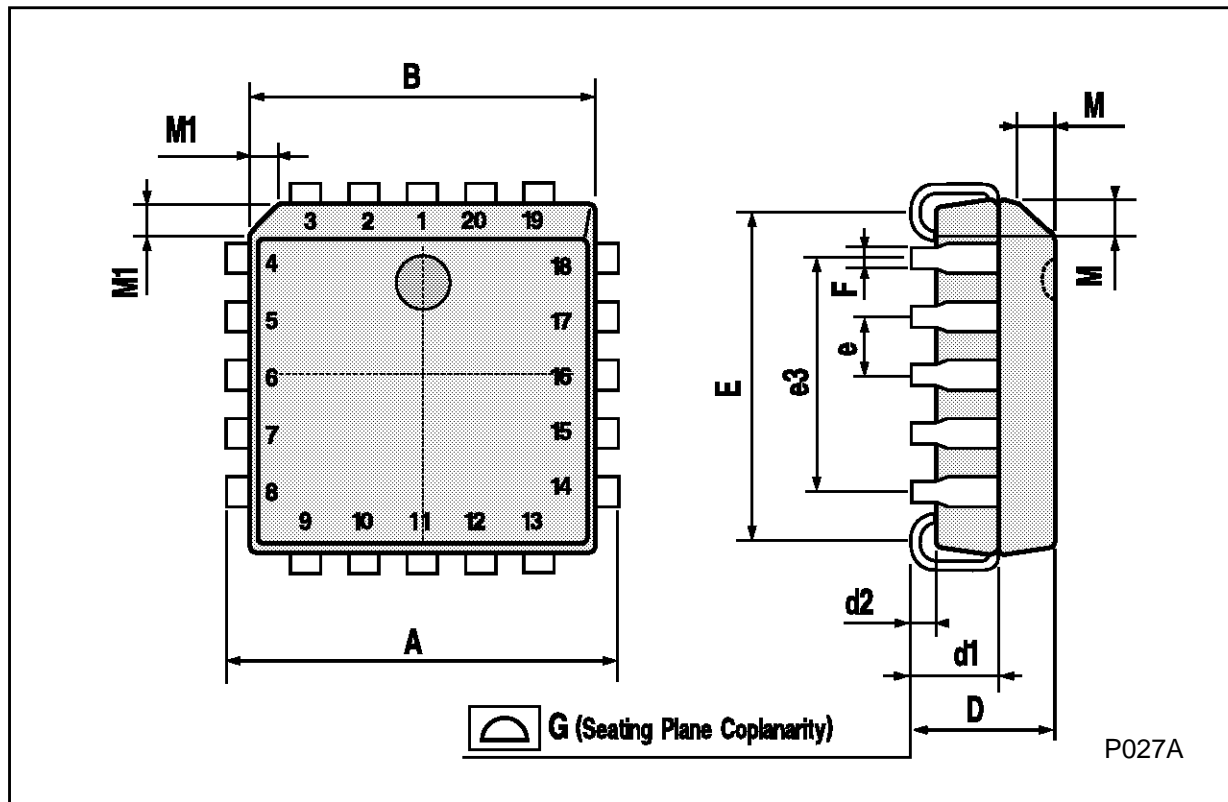
DIM.	mm			inch		
	MIN.	TYP.	MAX.	MIN.	TYP.	MAX.
A			2.65			0.104
a1	0.10		0.20	0.004		0.007
a2			2.45			0.096
b	0.35		0.49	0.013		0.019
b1	0.23		0.32	0.009		0.012
C		0.50			0.020	
c1	45° (typ.)					
D	12.60		13.00	0.496		0.512
E	10.00		10.65	0.393		0.419
e		1.27			0.050	
e3		11.43			0.450	
F	7.40		7.60	0.291		0.299
L	0.50		1.27	0.19		0.050
M			0.75			0.029
S	8° (max.)					



P013L

PLCC20 MECHANICAL DATA

DIM.	mm			inch		
	MIN.	TYP.	MAX.	MIN.	TYP.	MAX.
A	9.78		10.03	0.385		0.395
B	8.89		9.04	0.350		0.356
D	4.2		4.57	0.165		0.180
d1		2.54			0.100	
d2		0.56			0.022	
E	7.37		8.38	0.290		0.330
e		1.27			0.050	
e3		5.08			0.200	
F		0.38			0.015	
G			0.101			0.004
M		1.27			0.050	
M1		1.14			0.045	



Information furnished is believed to be accurate and reliable. However, SGS-THOMSON Microelectronics assumes no responsibility for the consequences of use of such information nor for any infringement of patents or other rights of third parties which may result from its use. No license is granted by implication or otherwise under any patent or patent rights of SGS-THOMSON Microelectronics. Specifications mentioned in this publication are subject to change without notice. This publication supersedes and replaces all information previously supplied. SGS-THOMSON Microelectronics products are not authorized for use as critical components in life support devices or systems without express written approval of SGS-THOMSON Microelectronics.

© 1994 SGS-THOMSON Microelectronics - All Rights Reserved

SGS-THOMSON Microelectronics GROUP OF COMPANIES
Australia - Brazil - France - Germany - Hong Kong - Italy - Japan - Korea - Malaysia - Malta - Morocco - The Netherlands -
Singapore - Spain - Sweden - Switzerland - Taiwan - Thailand - United Kingdom - U.S.A