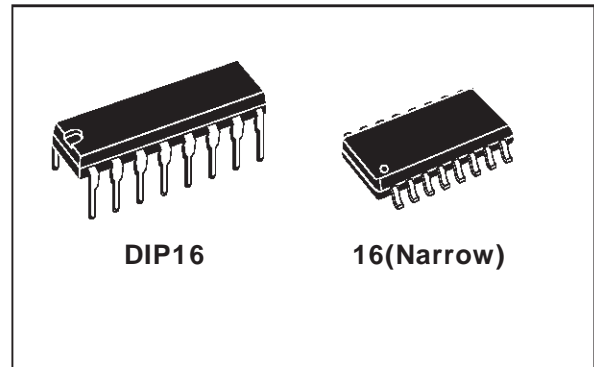


## REGULATING PULSE WIDTH MODULATORS

- 8 TO 35 V OPERATION
- 5.1 V REFERENCE TRIMMED TO  $\pm 1\%$
- 100 Hz TO 500 KHz OSCILLATOR RANGE
- SEPARATE OSCILLATOR SYNC TERMINAL
- ADJUSTABLE DEADTIME CONTROL
- INTERNAL SOFT-START
- PULSE-BY-PULSE SHUTDOWN
- INPUT UNDERVOLTAGE LOCKOUT WITH HYSTERESIS
- LATCHING PWM TO PREVENT MULTIPLE PULSES
- DUAL SOURCE/SINK OUTPUT DRIVERS

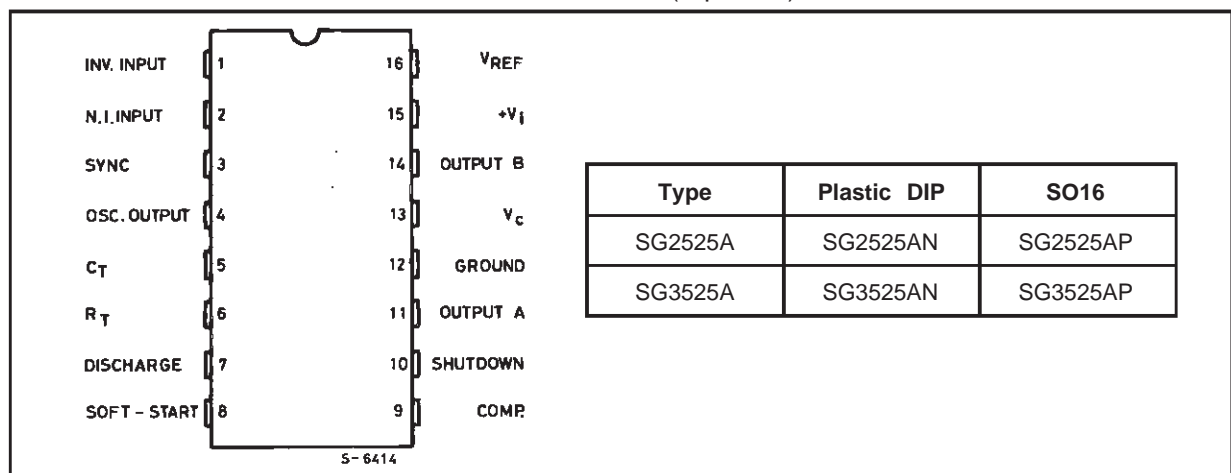


### DESCRIPTION

The SG3525A series of pulse width modulator integrated circuits are designed to offer improved performance and lowered external parts count when used in designing all types of switching power supplies. The on-chip +5.1 V reference is trimmed to  $\pm 1\%$  and the input common-mode range of the error amplifier includes the reference voltage eliminating external resistors. A sync input to the oscillator allows multiple units to be slaved or a single unit to be synchronized to an external system clock. A single resistor between the  $C_T$  and the discharge terminals provide a wide range of dead time adjustment. These devices also feature built-in soft-start circuitry with only an external timing capacitor required. A shutdown terminal controls both the soft-start circuitry and the output stages, providing instantaneous

turn off through the PWM latch with pulsed shutdown, as well as soft-start recycle with longer shutdown commands. These functions are also controlled by an undervoltage lockout which keeps the outputs off and the soft-start capacitor discharged for sub-normal input voltages. This lockout circuitry includes approximately 500 mV of hysteresis for jitter-free operation. Another feature of these PWM circuits is a latch following the comparator. Once a PWM pulse has been terminated for any reason, the outputs will remain off for the duration of the period. The latch is reset with each clock pulse. The output stages are totem-pole designs capable of sourcing or sinking in excess of 200 mA. The SG3525A output stage features NOR logic, giving a LOW output for an OFF state.

### PIN CONNECTIONS AND ORDERING NUMBERS (top view)



# SG2525A-SG3525A

## ABSOLUTE MAXIMUM RATINGS

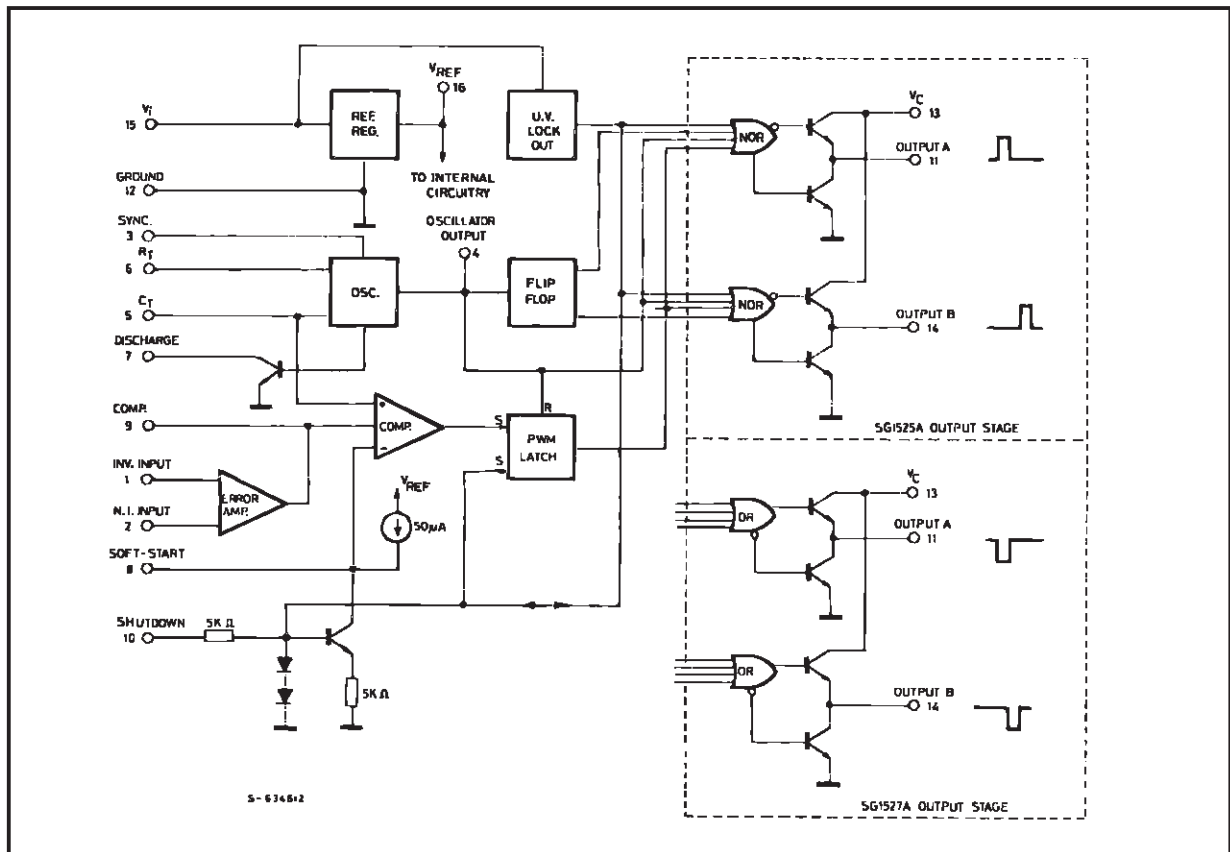
Symbol	Parameter	Value	Unit
$V_i$	Supply Voltage	40	V
$V_C$	Collector Supply Voltage	40	V
$I_{OSC}$	Oscillator Charging Current	5	mA
$I_o$	Output Current, Source or Sink	500	mA
$I_R$	Reference Output Current	50	mA
$I_T$	Current through $C_T$ Terminal	5	mA
	Logic Inputs	- 0.3 to + 5.5	V
	Analog Inputs	- 0.3 to $V_i$	V
$P_{tot}$	Total Power Dissipation at $T_{amb} = 70^\circ\text{C}$	1000	mW
$T_j$	Junction Temperature Range	- 55 to 150	$^\circ\text{C}$
$T_{stg}$	Storage Temperature Range	- 65 to 150	$^\circ\text{C}$
$T_{op}$	Operating Ambient Temperature : <b>SG2525A</b> <b>SG3525A</b>	- 25 to 85 0 to 70	$^\circ\text{C}$ $^\circ\text{C}$

## THERMAL DATA

Symbol	Parameter		SO16	DIP16	Unit
$R_{th\ j-pins}$	Thermal Resistance Junction-pins	Max		50	$^\circ\text{C}/\text{W}$
$R_{th\ j-amb}$	Thermal Resistance Junction-ambient	Max		80	$^\circ\text{C}/\text{W}$
$R_{th\ j-alumina}$	Thermal Resistance Junction-alumina (*)	Max	50		$^\circ\text{C}/\text{W}$

\* Thermal resistance junction-alumina with the device soldered on the middle of an alumina supporting substrate measuring  $15 \times 20\text{ mm}$ ;  $0.65\text{ mm}$  thickness with infinite heatsink.

## BLOCK DIAGRAM



**ELECTRICAL CHARACTERISTICS**

(V# i = 20 V, and over operating temperature, unless otherwise specified)

Symbol	Parameter	Test Conditions	SG2525A			SG3525A			Unit
			Min.	Typ.	Max.	Min.	Typ.	Max.	
<b>REFERENCE SECTION</b>									
V <sub>REF</sub>	Output Voltage	T <sub>j</sub> = 25 °C	5.05	5.1	5.15	5	5.1	5.2	V
ΔV <sub>REF</sub>	Line Regulation	V <sub>i</sub> = 8 to 35 V		10	20		10	20	mV
ΔV <sub>REF</sub>	Load Regulation	I <sub>L</sub> = 0 to 20 mA		20	50		20	50	mV
ΔV <sub>REF</sub> /ΔT*	Temp. Stability	Over Operating Range		20	50		20	50	mV
*	Total Output Variation	Line, Load and Temperature	5		5.2	4.95		5.25	V
	Short Circuit Current	V <sub>REF</sub> = 0 T <sub>j</sub> = 25 °C		80	100		80	100	mA
*	Output Noise Voltage	10 Hz ≤ f ≤ 10 kHz, T <sub>j</sub> = 25 °C		40	200		40	200	μVrms
ΔV <sub>REF</sub> *	Long Term Stability	T <sub>j</sub> = 125 °C, 1000 hrs		20	50		20	50	mV
<b>OSCILLATOR SECTION **</b>									
*, •	Initial Accuracy	T <sub>j</sub> = 25 °C		± 2	± 6		± 2	± 6	%
*, •	Voltage Stability	V <sub>i</sub> = 8 to 35 V		± 0.3	± 1		± 1	± 2	%
Δf/ΔT*	Temperature Stability	Over Operating Range		± 3	± 6		± 3	± 6	%
f <sub>MIN</sub>	Minimum Frequency	R <sub>T</sub> = 200 KΩ C <sub>T</sub> = 0.1 μF			120			120	Hz
f <sub>MAX</sub>	Maximum Frequency	R <sub>T</sub> = 2 KΩ C <sub>T</sub> = 470 pF	400			400			KHz
	Current Mirror	I <sub>RT</sub> = 2 mA	1.7	2	2.2	1.7	2	2.2	mA
*, •	Clock Amplitude		3	3.5		3	3.5		V
*, •	Clock Width	T <sub>j</sub> = 25 °C	0.3	0.5	1	0.3	0.5	1	μs
	Sync Threshold		1.2	2	2.8	1.2	2	2.8	V
	Sync Input Current	Sync Voltage = 3.5 V		1	2.5		1	2.5	mA
<b>ERROR AMPLIFIER SECTION (V<sub>CM</sub> = 5.1 V)</b>									
V <sub>OS</sub>	Input Offset Voltage			0.5	5		2	10	mV
I <sub>b</sub>	Input Bias Current			1	10		1	10	μA
I <sub>OS</sub>	Input Offset Current				1			1	μA
	DC Open Loop Gain	R <sub>L</sub> ≥ 10 MΩ	60	75		60	75		dB
*	Gain Bandwidth Product	G <sub>v</sub> = 0 dB T <sub>j</sub> = 25 °C	1	2		1	2		MHz
*, ■	DC Transconduct.	30 KΩ ≤ R <sub>L</sub> ≤ 1 MΩ T <sub>j</sub> = 25 °C	1.1	1.5		1.1	1.5		ms
	Output Low Level			0.2	0.5		0.2	0.5	V
	Output High Level		3.8	5.6		3.8	5.6		V
CMR	Comm. Mode Reject.	V <sub>CM</sub> = 1.5 to 5.2 V	60	75		60	75		dB
PSR	Supply Voltage Rejection	V <sub>i</sub> = 8 to 35 V	50	60		50	60		dB

**ELECTRICAL CHARACTERISTICS** (continued)

Symbol	Parameter	Test Conditions	SG2525A			SG3525A			Unit
			Min.	Typ.	Max.	Min.	Typ.	Max.	
<b>PWM COMPARATOR</b>									
	Minimum Duty-cycle				0			0	%
•	Maximum Duty-cycle		45	49		45	49		%
•	Input Threshold	Zero Duty-cycle	0.7	0.9		0.7	0.9		V
		Maximum Duty-cycle		3.3	3.6		3.3	3.6	V
*	Input Bias Current			0.05	1		0.05	1	μA
<b>SHUTDOWN SECTION</b>									
	Soft Start Current	$V_{SD} = 0\text{ V}, V_{SS} = 0\text{ V}$	25	50	80	25	50	80	μA
	Soft Start Low Level	$V_{SD} = 2.5\text{ V}$		0.4	0.7		0.4	0.7	V
	Shutdown Threshold	To outputs, $V_{SS} = 5.1\text{ V}$ $T_j = 25\text{ °C}$	0.6	0.8	1	0.6	0.8	1	V
	Shutdown Input Current	$V_{SD} = 2.5\text{ V}$		0.4	1		0.4	1	mA
*	Shutdown Delay	$V_{SD} = 2.5\text{ V } T_j = 25\text{ °C}$		0.2	0.5		0.2	0.5	μs
<b>OUTPUT DRIVERS (each output) (<math>V_C = 20\text{ V}</math>)</b>									
	Output Low Level	$I_{\text{sink}} = 20\text{ mA}$		0.2	0.4		0.2	0.4	V
		$I_{\text{sink}} = 100\text{ mA}$		1	2		1	2	V
	Output High Level	$I_{\text{source}} = 20\text{ mA}$	18	19		18	19		V
		$I_{\text{source}} = 100\text{ mA}$	17	18		17	18		V
	Under-Voltage Lockout	$V_{\text{comp}}$ and $V_{SS} = \text{High}$	6	7	8	6	7	8	V
$I_C$	Collector Leakage	$V_C = 35\text{ V}$			200			200	μA
$t_r^*$	Rise Time	$C_L = 1\text{ nF}, T_j = 25\text{ °C}$		100	600		100	600	ns
$t_f^*$	Fall Time	$C_L = 1\text{ nF}, T_j = 25\text{ °C}$		50	300		50	300	ns
<b>TOTAL STANDBY CURRENT</b>									
$I_s$	Supply Current	$V_i = 35\text{ V}$		14	20		14	20	mA

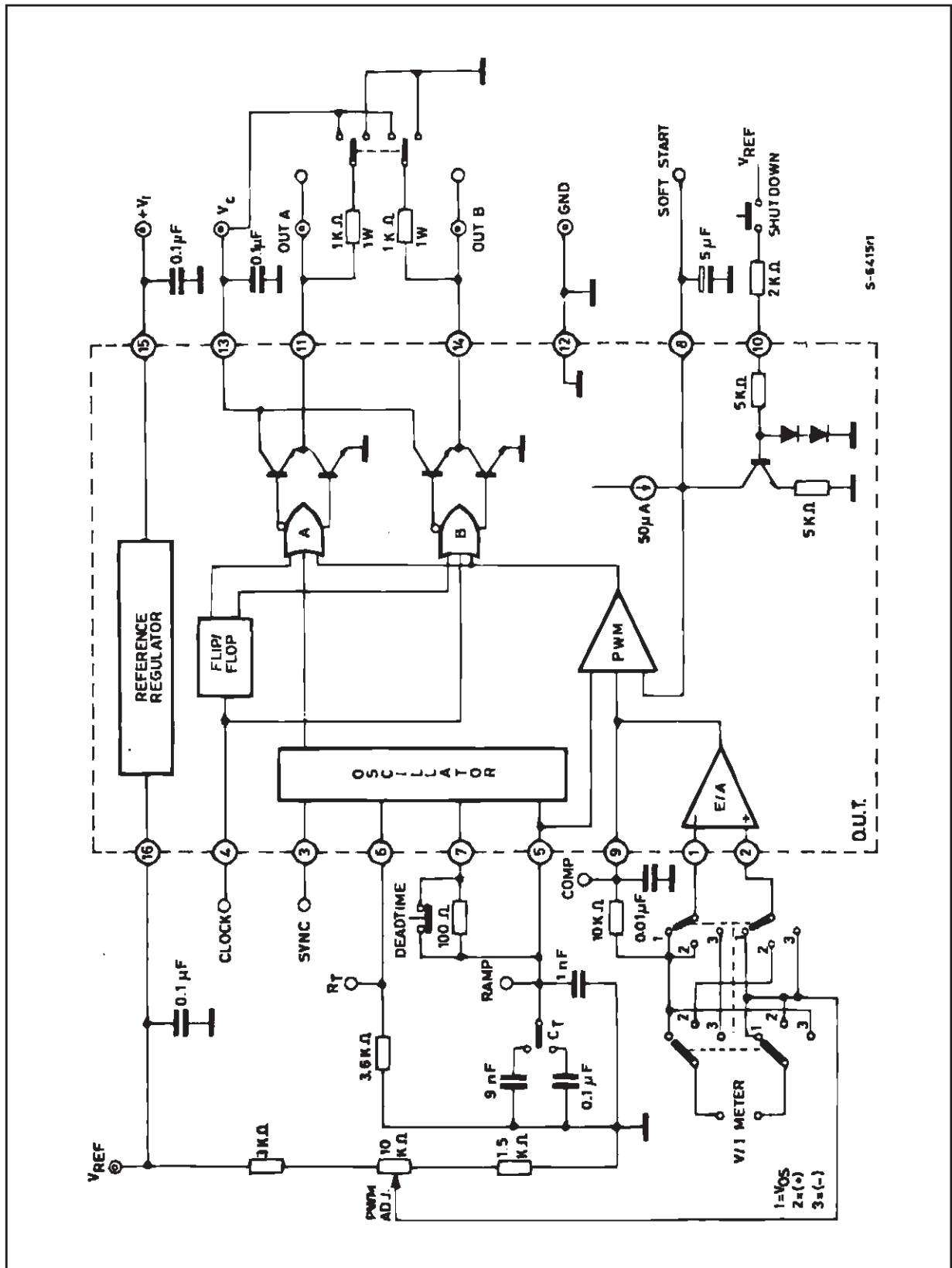
\* These parameters, although guaranteed over the recommended operating conditions, are not 100% tested in production.

• Tested at  $f_{\text{osc}} = 40\text{ KHz}$  ( $R_T = 3.6\text{ K}\Omega$ ,  $C_T = 10\text{ nF}$ ,  $R_D = 0\text{ }\Omega$ ). Approximate oscillator frequency is defined by :

$$f = \frac{1}{C_T(0.7 R_T + 3 R_D)}$$

■ DC transconductance ( $g_M$ ) relates to DC open-loop voltage gain ( $G_v$ ) according to the following equation :  $G_v = g_M R_L$  where  $R_L$  is the resistance from pin 9 to ground. The minimum  $g_M$  specification is used to calculate minimum  $G_v$  when the error amplifier output is loaded.

TEST CIRCUIT



RECOMMENDED OPERATING CONDITIONS (•)

Parameter	Value
Input Voltage ( $V_i$ )	8 to 35 V
Collector Supply Voltage ( $V_C$ )	4.5 to 35 V
Sink/Source Load Current (steady state)	0 to 100 mA
Sink/Source Load Current (peak)	0 to 400 mA
Reference Load Current	0 to 20 mA
Oscillator Frequency Range	100 Hz to 400 KHz
Oscillator Timing Resistor	2 K $\Omega$ to 150 K $\Omega$
Oscillator Timing Capacitor	0.001 $\mu$ F to 0.1 $\mu$ F
Dead Time Resistor Range	0 to 500 $\Omega$

(•) Range over which the device is functional and parameter limits are guaranteed.

Figure 1 : Oscillator Charge Time vs.  $R_T$  and  $C_T$ .

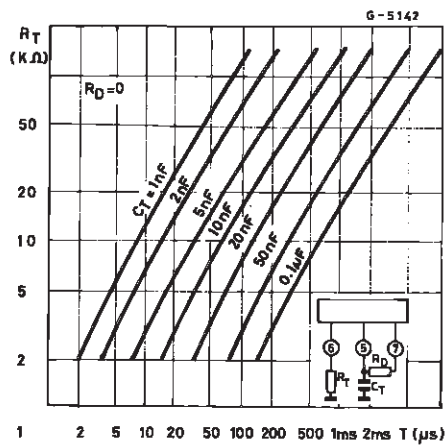


Figure 2 : Oscillator Discharge Time vs.  $R_D$  and  $C_T$ .

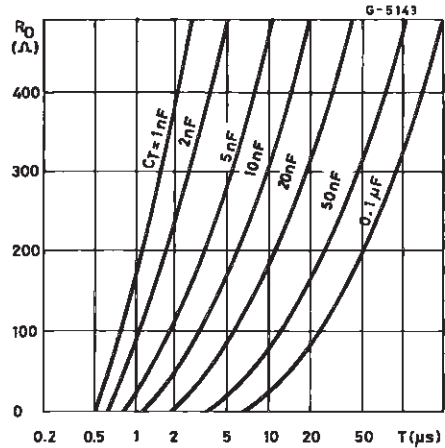


Figure 3 : Output Saturation Characteristics.

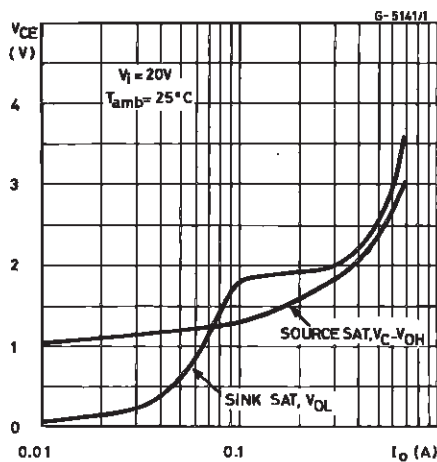


Figure 4 : Error Amplifier Voltage Gain and Phase vs. Frequency.

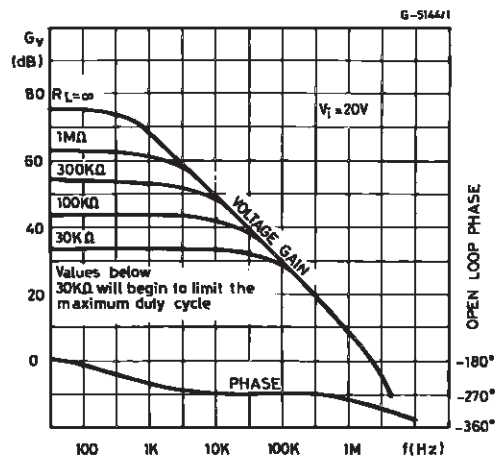
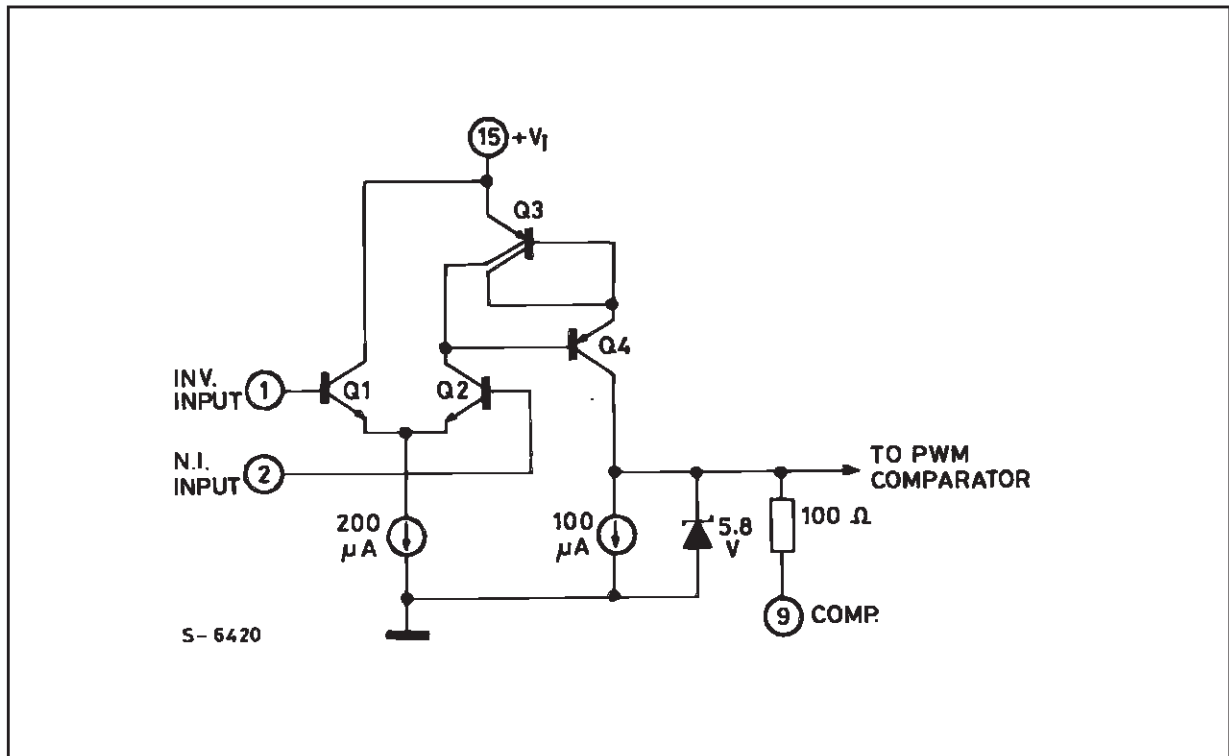


Figure 5 : Error Amplifier.



### PRINCIPLES OF OPERATION

#### SHUTDOWN OPTIONS (see Block Diagram)

Since both the compensation and soft-start terminals (Pins 9 and 8) have current source pull-ups, either can readily accept a pull-down signal which only has to sink a maximum of 100  $\mu\text{A}$  to turn off the outputs. This is subject to the added requirement of discharging whatever external capacitance may be attached to these pins.

An alternate approach is the use of the shutdown circuitry of Pin 10 which has been improved to enhance the available shutdown options. Activating this circuit by applying a positive signal on Pin 10 performs two functions : the PWM latch is immedi-

ately set providing the fastest turn-off signal to the outputs ; and a 150  $\mu\text{A}$  current sink begins to discharge the external soft-start capacitor. If the shutdown command is short, the PWM signal is terminated without significant discharge of the soft-start capacitor, thus, allowing, for example, a convenient implementation of pulse-by-pulse current limiting. Holding Pin 10 high for a longer duration, however, will ultimately discharge this external capacitor, recycling slow turn-on upon release.

Pin 10 should not be left floating as noise pickup could conceivably interrupt normal operation.

Figure 6 : Oscillator Schematic.

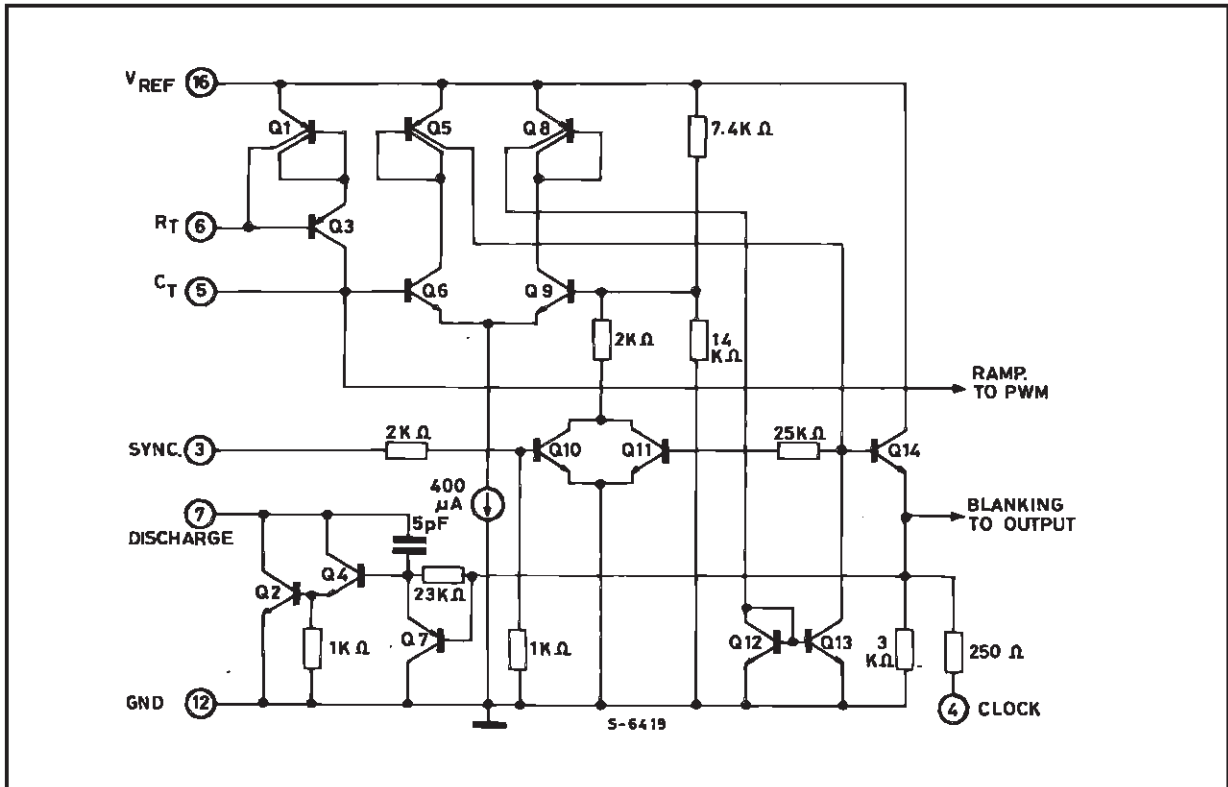


Figure 7 : Output Circuit (1/2 circuit shown).

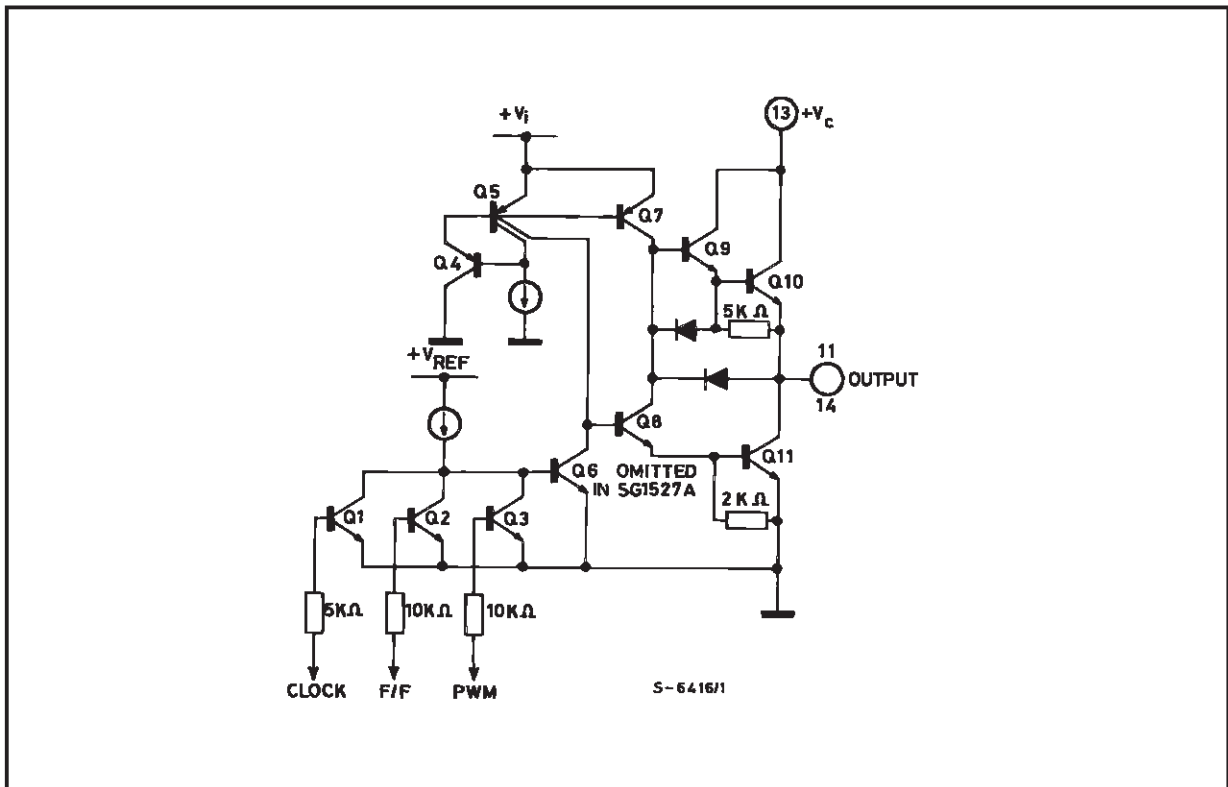
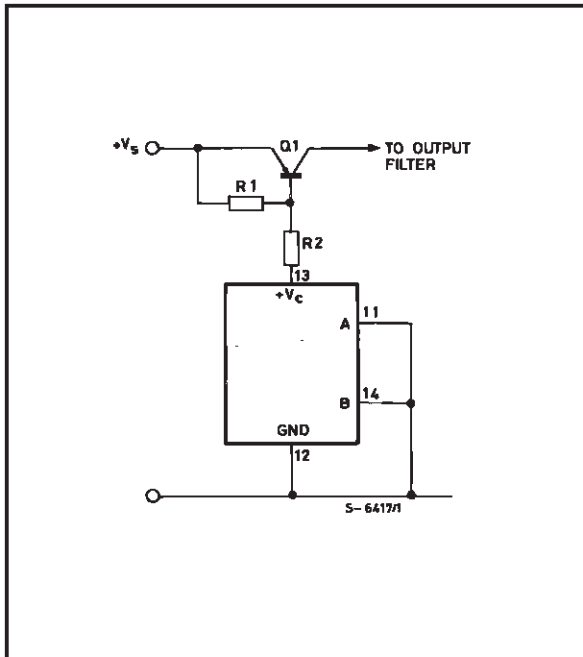


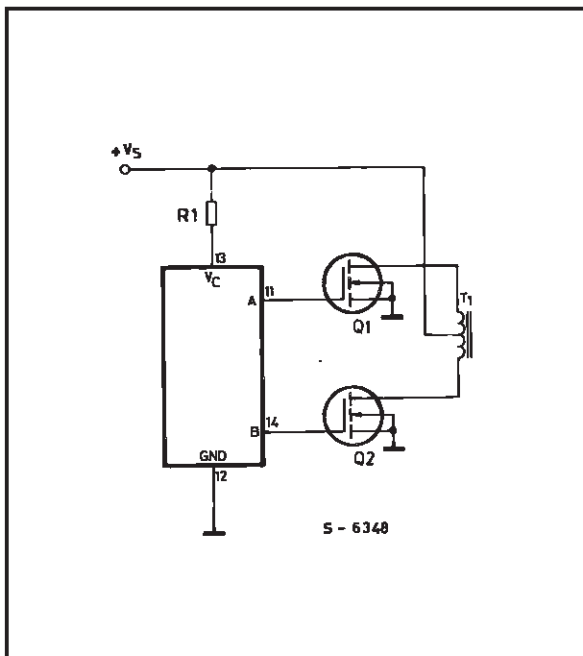


Figure 8.



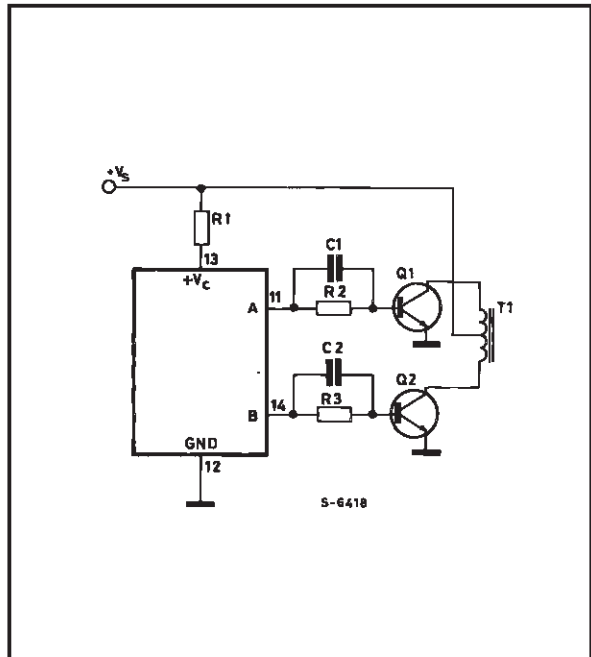
For single-ended supplies, the driver outputs are grounded. The  $V_c$  terminal is switched to ground by the totem-pole source transistors on alternate oscillator cycles.

Figure 10.



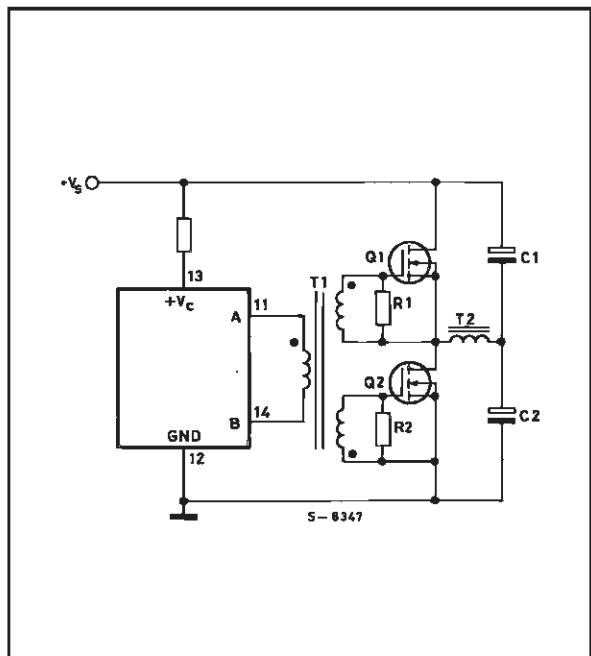
The low source impedance of the output drivers provides rapid charging of Power Mos input capacitance while minimizing external components.

Figure 9.



In conventional push-pull bipolar designs, forward base drive is controlled by  $R_1 - R_3$ . Rapid turn-off times for the power devices are achieved with speed-up capacitors  $C_1$  and  $C_2$ .

Figure 11.

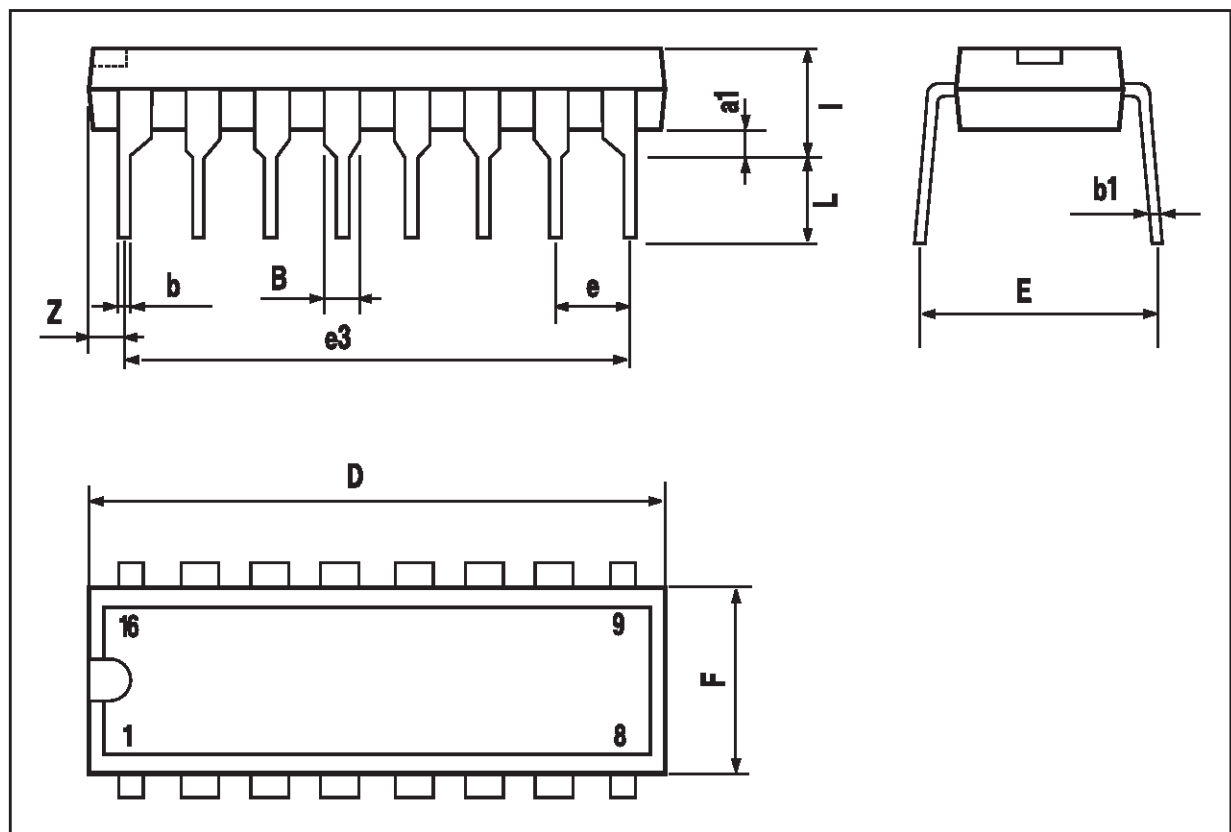


Low power transformers can be driven directly. Automatic reset occurs during dead time, when both ends of the primary winding are switched to ground.

# SG2525A-SG3525A

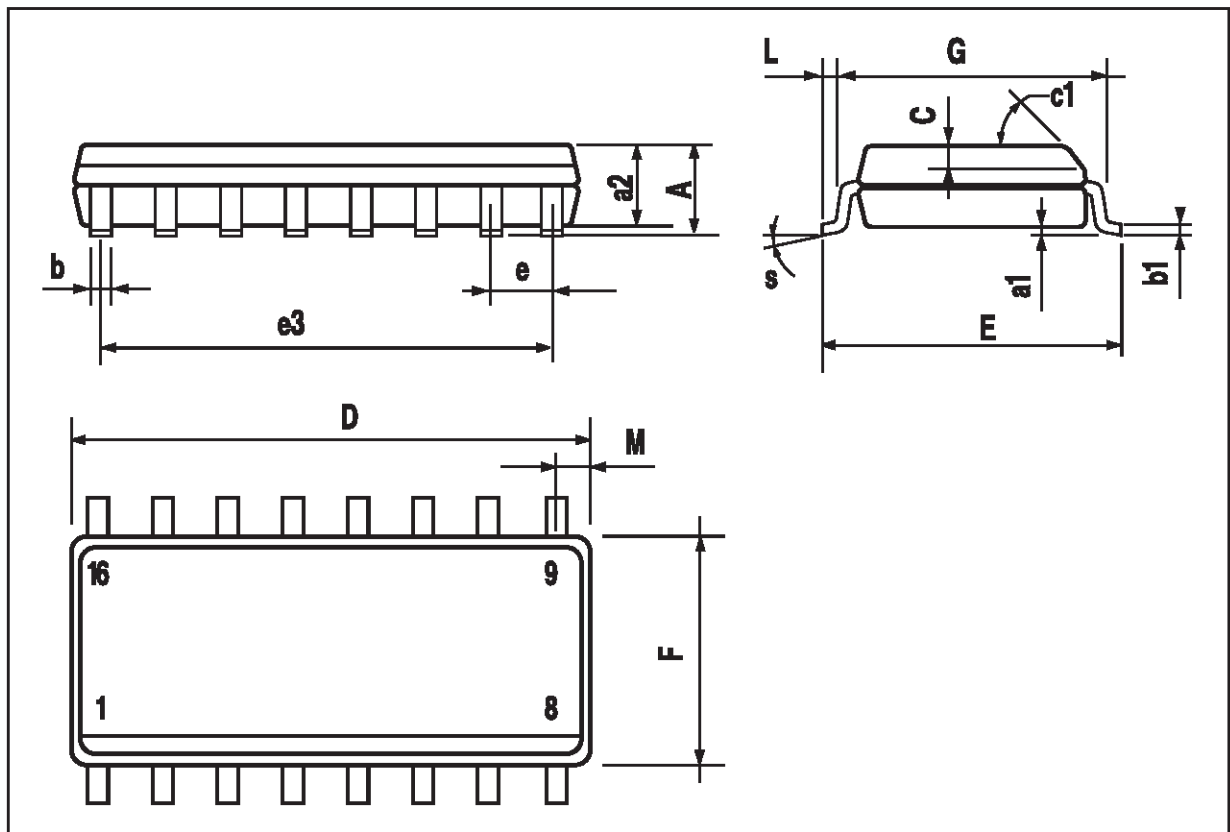
## DIP16 PACKAGE MECHANICAL DATA

DIM.	mm			inch		
	MIN.	TYP.	MAX.	MIN.	TYP.	MAX.
a1	0.51			0.020		
B	0.77		1.65	0.030		0.065
b		0.5			0.020	
b1		0.25			0.010	
D			20			0.787
E		8.5			0.335	
e		2.54			0.100	
e3		17.78			0.700	
F			7.1			0.280
I			5.1			0.201
L		3.3			0.130	
Z			1.27			0.050



SO16 NARROW PACKAGE MECHANICAL DATA

DIM.	mm			inch		
	MIN.	TYP.	MAX.	MIN.	TYP.	MAX.
A			1.75			0.069
a1	0.1		0.25	0.004		0.009
a2			1.6			0.063
b	0.35		0.46	0.014		0.018
b1	0.19		0.25	0.007		0.010
C		0.5			0.020	
c1	45° (typ.)					
D	9.8		10	0.386		0.394
E	5.8		6.2	0.228		0.244
e		1.27			0.050	
e3		8.89			0.350	
F	3.8		4.0	0.150		0.157
L	0.4		1.27	0.150		0.050
M			0.62			0.024
S	8° (max.)					



Information furnished is believed to be accurate and reliable. However, STMicroelectronics assumes no responsibility for the consequences of use of such information nor for any infringement of patents or other rights of third parties which may result from its use. No license is granted by implication or otherwise under any patent or patent rights of STMicroelectronics. Specification mentioned in this publication are subject to change without notice. This publication supersedes and replaces all information previously supplied. STMicroelectronics products are not authorized for use as critical components in life support devices or systems without express written approval of STMicroelectronics.

The ST logo is a registered trademark of STMicroelectronics  
© 1998 STMicroelectronics – Printed in Italy – All Rights Reserved  
STMicroelectronics GROUP OF COMPANIES

Australia - Brazil - Canada - China - France - Germany - Italy - Japan - Korea - Malaysia - Malta - Mexico - Morocco - The Netherlands - Singapore - Spain - Sweden - Switzerland - Taiwan - Thailand - United Kingdom - U.S.A.