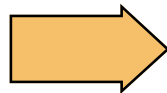




**Low voltage
standard telephone circuit
U3760UB**



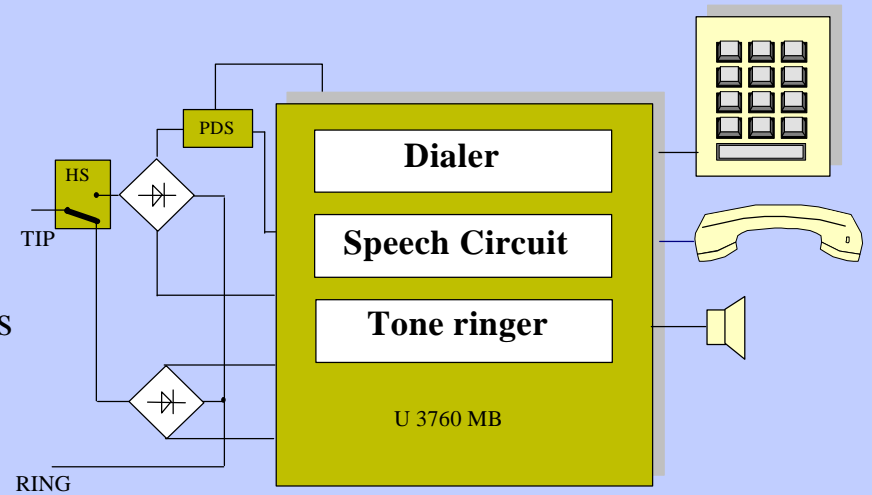
Low voltage standard telephone circuit U3760UB

Application

Standard phones

Customer Benefits

- Low number of external components
- Saving of space
- Low production cost
- High quality through one IC solution



Low voltage standard telephone circuit - U3760UB

Product Highlights

Speech Circuit

- Adjustable DC slope characteristic
- Symmetrical input of microphone amplifier
- Stabilized power supply for peripherals
- Receiving amplifier for dynamic or piezo ear pieces
- Automatic line loss compensation

Dialer

- DTMF / Pulse switchable
- Pulse dialing 66 / 33 or 60 / 40 DTMF dialing selectable by pin
- Last number redial up to 32 digits
- Selectable flashing duration by key pad
- Pause function
- TV crystal 3.58 MHz or ceramic resonator

