

DATA SHEET

NE5592

Video amplifier

Product specification

October 20, 1987

IC11

Philips Semiconductors



PHILIPS

Video amplifier

NE5592

DESCRIPTION

The NE5592 is a dual monolithic, two-stage, differential output, wideband video amplifier. It offers a fixed gain of 400 without external components and an adjustable gain from 400 to 0 with one external resistor. The input stage has been designed so that with the addition of a few external reactive elements between the gain select terminals, the circuit can function as a high-pass, low-pass, or band-pass filter. This feature makes the circuit ideal for use as a video or pulse amplifier in communications, magnetic memories, display, video recorder systems, and floppy disk head amplifiers.

FEATURES

- 110MHz unity gain bandwidth
- Adjustable gain from 0 to 400
- Adjustable pass band
- No frequency compensation required
- Wave shaping with minimal external components

PIN CONFIGURATION

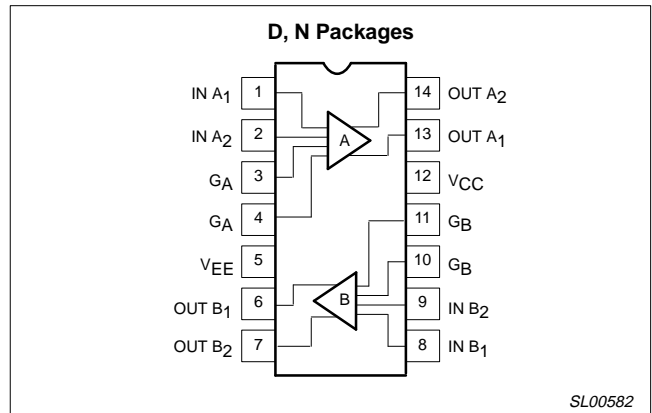


Figure 1. Pin Configuration

APPLICATIONS

- Floppy disk head amplifier
- Video amplifier
- Pulse amplifier in communications
- Magnetic memory
- Video recorder systems

ORDERING INFORMATION

DESCRIPTION	TEMPERATURE RANGE	ORDER CODE	DWG #
14-Pin Plastic Dual In-Line Package (DIP)	0 to 70°C	NE5592N	SOT27-1
14-Pin Small Outline (SO) package	0 to 70°C	NE5592D	SOT108-1

EQUIVALENT CIRCUIT

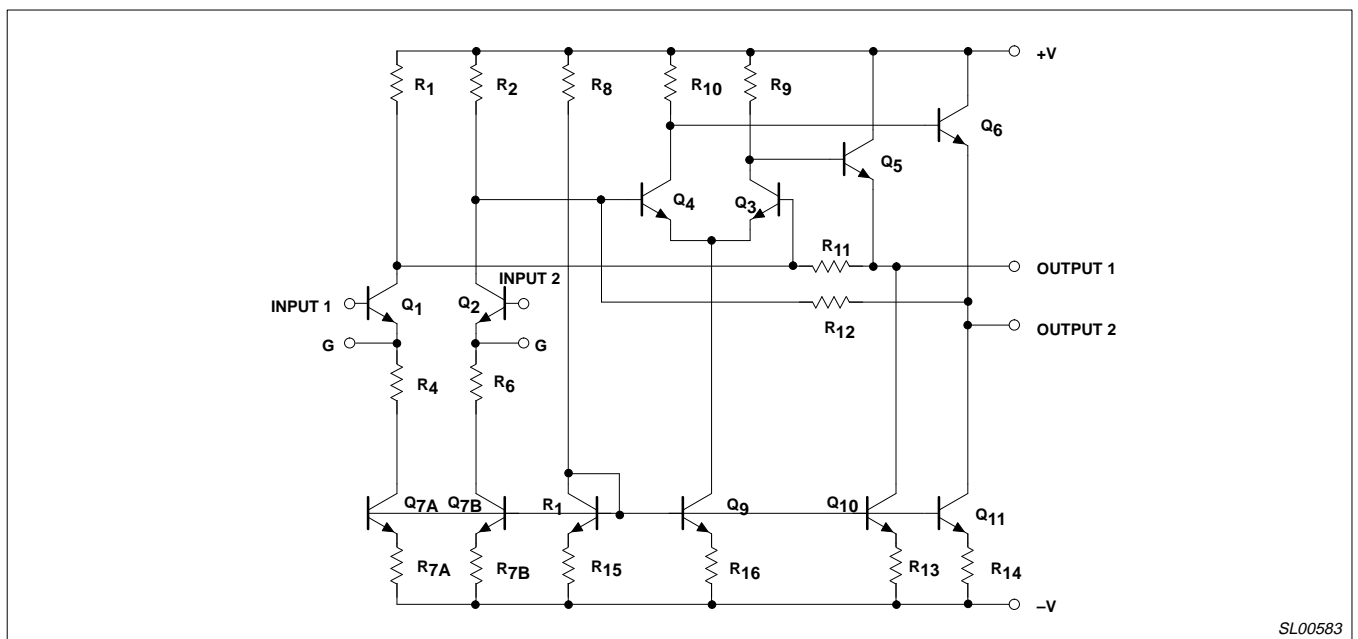


Figure 2. Equivalent Circuit

Video amplifier

NE5592

ABSOLUTE MAXIMUM RATINGS

$T_A=25^{\circ}\text{C}$, unless otherwise specified.

SYMBOL	PARAMETER	RATING	UNIT
V_{CC}	Supply voltage	± 8	V
V_{IN}	Differential input voltage	± 5	V
V_{CM}	Common mode Input voltage	± 6	V
I_{OUT}	Output current	10	mA
T_A	Operating temperature range NE5592	0 to +70	$^{\circ}\text{C}$
T_{STG}	Storage temperature range	-65 to +150	$^{\circ}\text{C}$
$P_{D\text{ MAX}}$	Maximum power dissipation, $T_A=25^{\circ}\text{C}$ (still air) ¹		
	D package	1.03	W
	N package	1.48	W

NOTES:

- Derate above 25°C at the following rates:
D package $8.3\text{mW}/^{\circ}\text{C}$
N package $11.9\text{mW}/^{\circ}\text{C}$

DC ELECTRICAL CHARACTERISTICS

$T_A=+25^{\circ}\text{C}$, $V_{SS}=\pm 6\text{V}$, $V_{CM}=0$, unless otherwise specified. Recommended operating supply voltage is $V_S = \pm 6.0\text{V}$, and gain select pins are connected together.

SYMBOL	PARAMETER	TEST CONDITIONS	LIMITS			UNITS
			Min	Typ	Max	
A_{VOL}	Differential voltage gain	$R_L=2\text{k}\Omega$, $V_{OUT}=3V_{P-P}$	400	480	600	V/V
R_{IN}	Input resistance		3	14		$\text{k}\Omega$
C_{IN}	Input capacitance			2.5		pF
I_{OS}	Input offset current			0.3	3	μA
I_{BIAS}	Input bias current			5	20	μA
	Input noise voltage	BW 1kHz to 10MHz		4		$\text{nV}/\sqrt{\text{Hz}}$
V_{IN}	Input voltage range		± 1.0			V
$CMRR$	Common-mode rejection ratio	$V_{CM} \pm 1\text{V}$, $f < 100\text{kHz}$ $V_{CM} \pm 1\text{V}$, $f = 5\text{MHz}$	60	93 87		dB dB
$PSRR$	Supply voltage rejection ratio	$\Delta V_S = \pm 0.5\text{V}$	50	85		dB
	Channel separation	$V_{OUT}=1V_{P-P}$; $f=100\text{kHz}$ (output referenced) $R_L=1\text{k}\Omega$	65	70		dB
V_{OS}	Output offset voltage gain select pins open	$R_L=\infty$ $R_L=\infty$		0.5 0.25	1.5 0.75	V V
V_{CM}	Output common-mode voltage	$R_L=\infty$	2.4	3.1	3.4	V
V_{OUT}	Output differential voltage swing	$R_L=2\text{k}\Omega$	3.0	4.0		V
R_{OUT}	Output resistance			20		Ω
I_{CC}	Power supply current (total for both sides)	$R_L=\infty$		35	44	mA

Video amplifier

NE5592

DC ELECTRICAL CHARACTERISTICS

$V_{SS}=\pm 6V$, $V_{CM}=0$, $0^{\circ}C \leq T_A \leq 70^{\circ}C$, unless otherwise specified. Recommended operating supply voltage is $V_S = \pm 6.0V$, and gain select pins are connected together.

SYMBOL	PARAMETER	TEST CONDITIONS	LIMITS			UNITS
			Min	Typ	Max	
A_{VOL}	Differential voltage gain	$R_L=2k\Omega$, $V_{OUT}=3V_{P-P}$	350	430	600	V/V
R_{IN}	Input resistance		1	11		k Ω
I_{OS}	Input offset current				5	μA
I_{BIAS}	Input bias current				30	μA
V_{IN}	Input voltage range		± 1.0			V
CMRR	Common-mode rejection ratio	$V_{CM} \pm 1V$, $f < 100kHz$ $R_S = \phi$	55			dB
PSRR	Supply voltage rejection ratio	$\Delta V_S = \pm 0.5V$	50			dB
	Channel separation	$V_{OUT}=1V_{P-P}$; $f=100kHz$ (output referenced) $R_L=1k\Omega$		70		dB
V_{OS}	Output offset voltage					
	gain select pins connected together	$R_L = \infty$			1.5	V
	gain select pins open	$R_L = \infty$			1.0	V
V_{OUT}	Output differential voltage swing	$R_L=2k\Omega$	2.8			V
I_{CC}	Power supply current (total for both sides)	$R_L = \infty$			47	mA

AC ELECTRICAL CHARACTERISTICS

$T_A=+25^{\circ}C$, $V_{SS}=\pm 6V$, $V_{CM}=0$, unless otherwise specified. Recommended operating supply voltage $V_S = \pm 6.0V$. Gain select pins connected together.

SYMBOL	PARAMETER	TEST CONDITIONS	LIMITS			UNITS
			Min	Typ	Max	
BW	Bandwidth	$V_{OUT}=1V_{P-P}$		25		MHz
t_R	Rise time			15	20	ns
t_{PD}	Propagation delay	$V_{OUT}=1V_{P-P}$		7.5	12	ns

TEST CIRCUITS $T_A=25^{\circ}C$ unless otherwise specified.

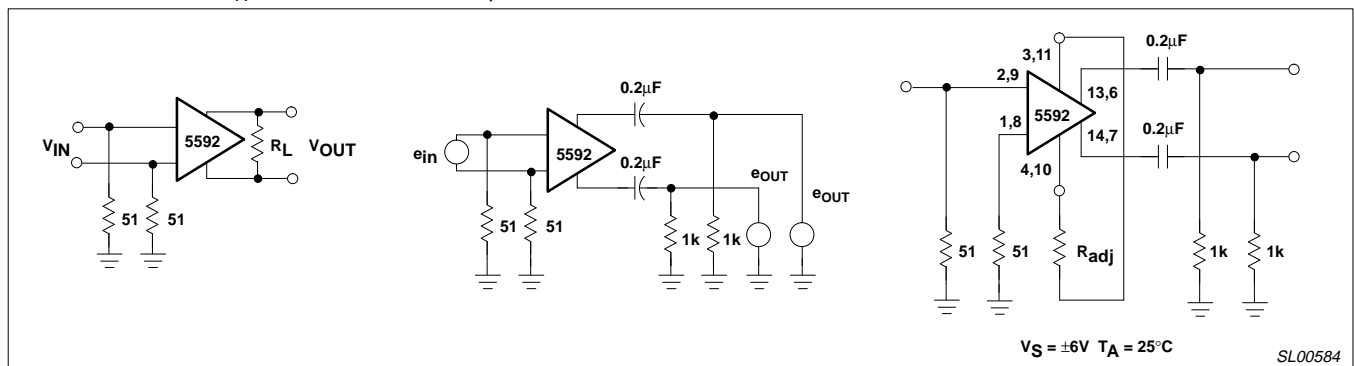


Figure 3. Test Circuits

Video amplifier

NE5592

TYPICAL PERFORMANCE CHARACTERISTICS

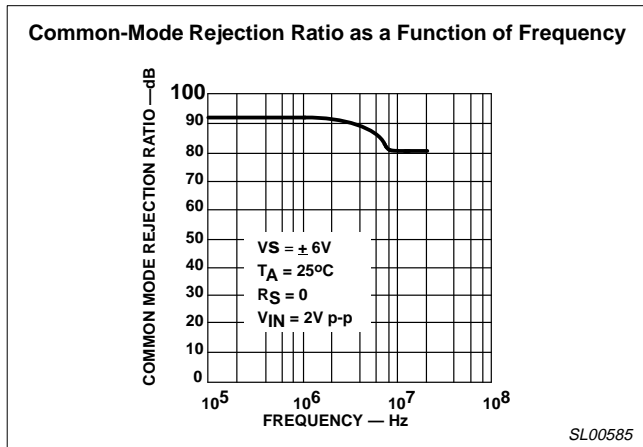


Figure 4.

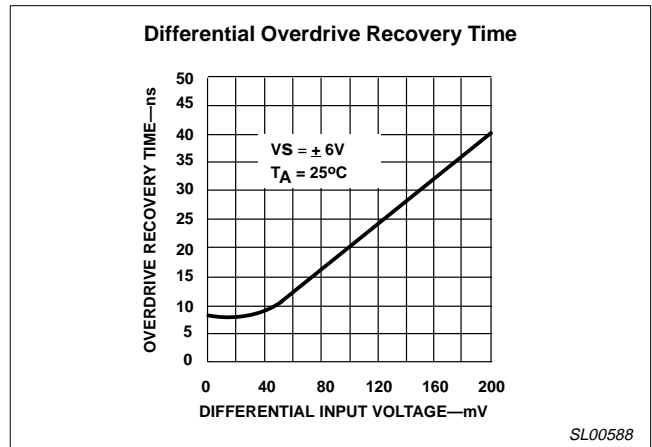


Figure 7.

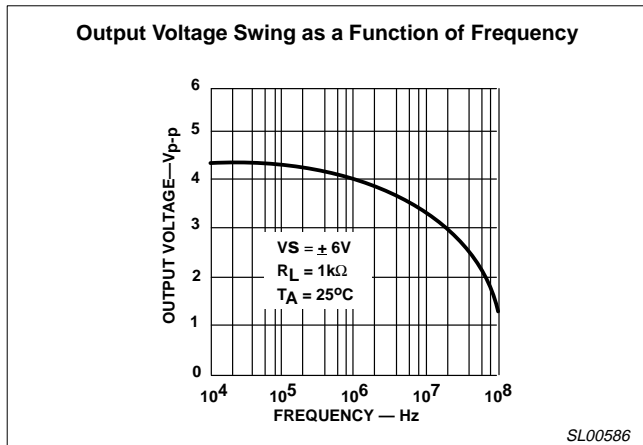


Figure 5.

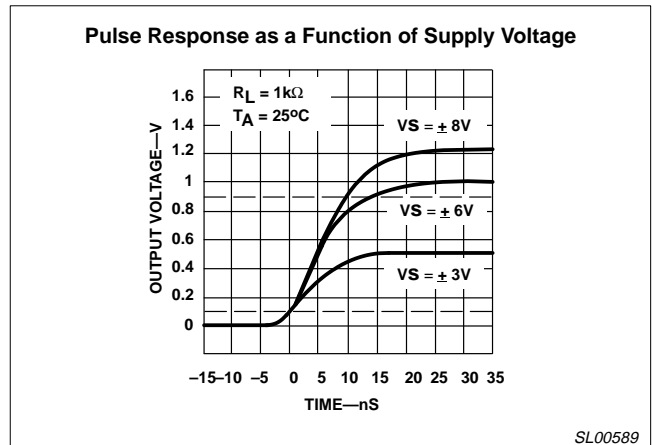


Figure 8.

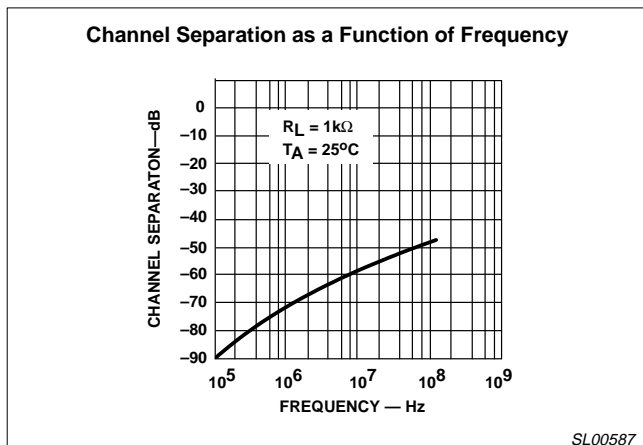


Figure 6.

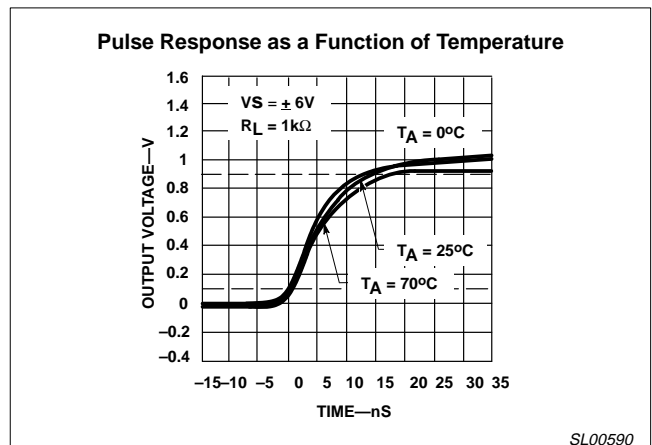


Figure 9.

Video amplifier

NE5592

TYPICAL PERFORMANCE CHARACTERISTICS (Continued)

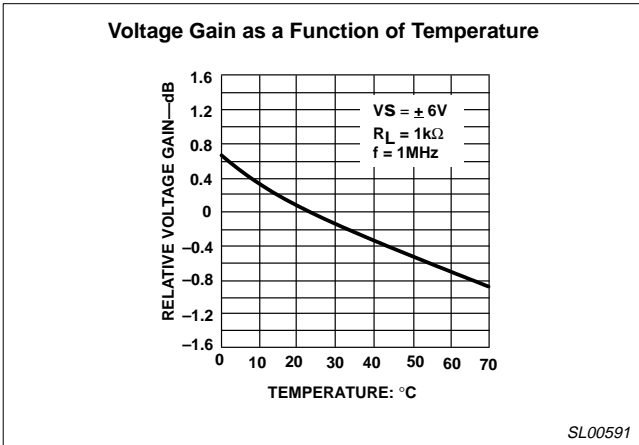


Figure 10.

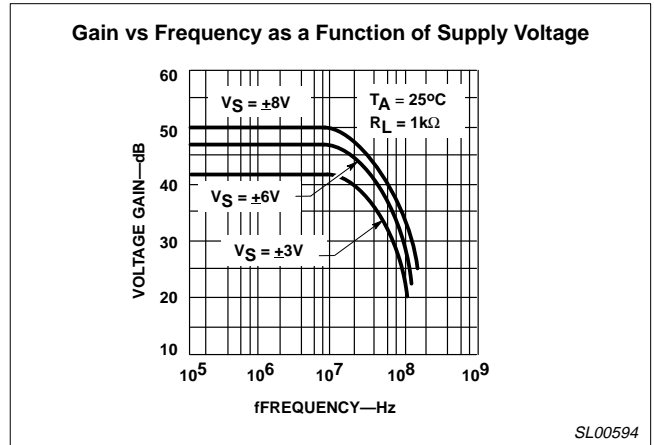


Figure 13.

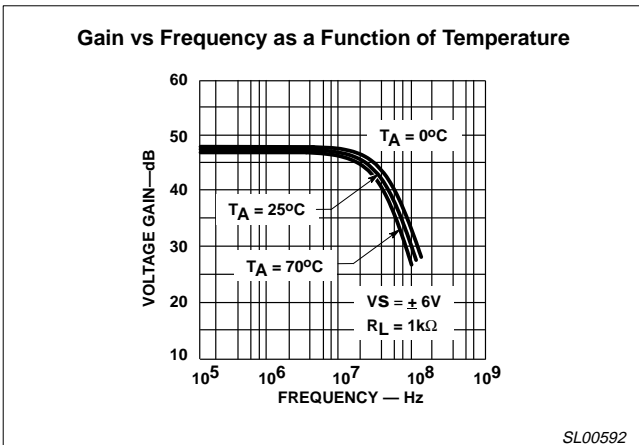


Figure 11.

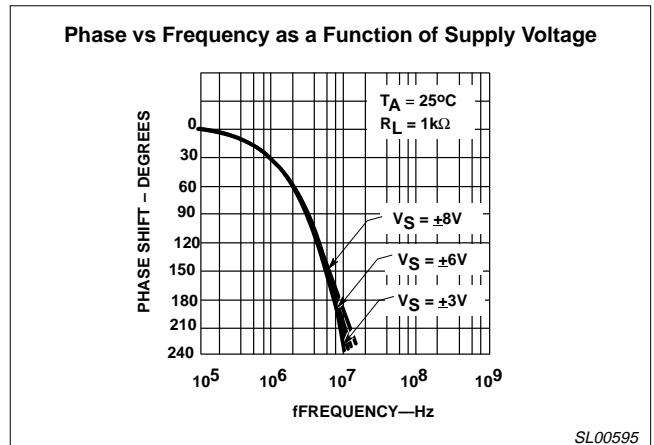


Figure 14.

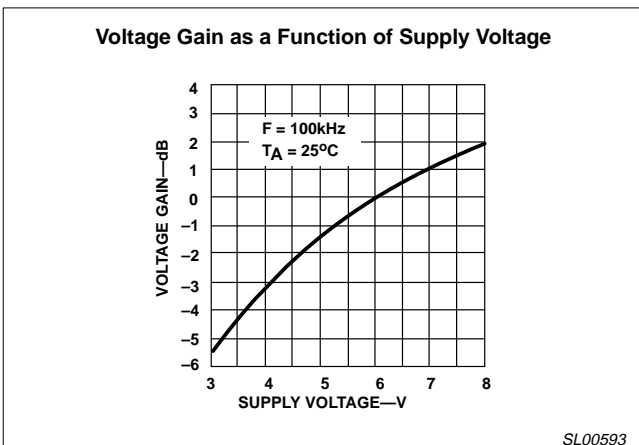


Figure 12.

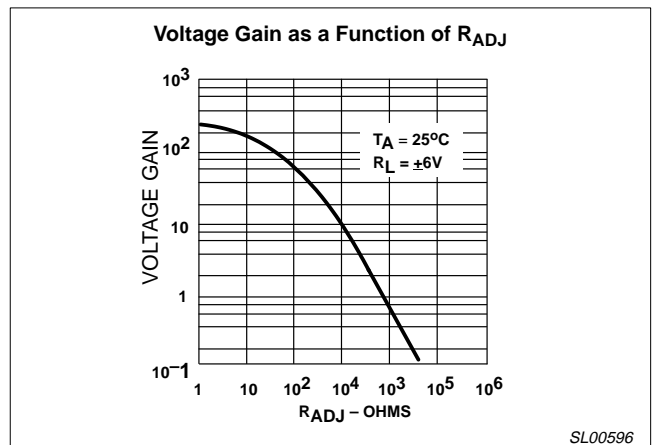


Figure 15.

Video amplifier

NE5592

TYPICAL PERFORMANCE CHARACTERISTICS (Continued)

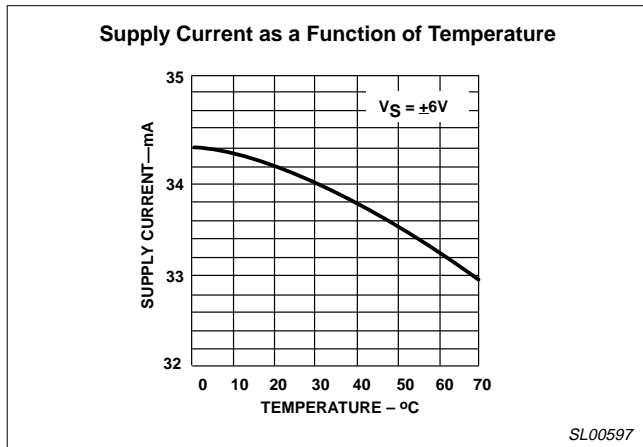


Figure 16.

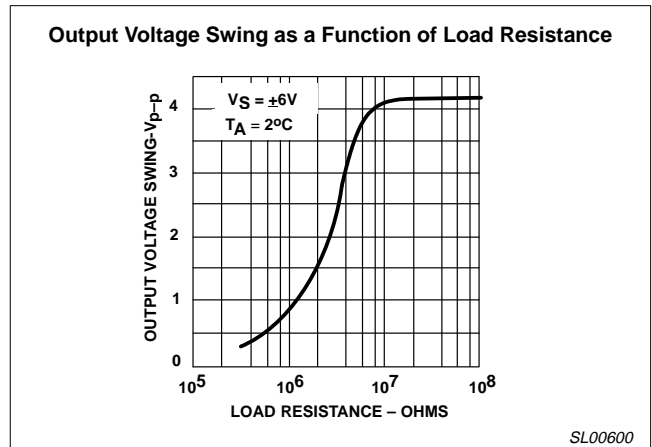


Figure 19.

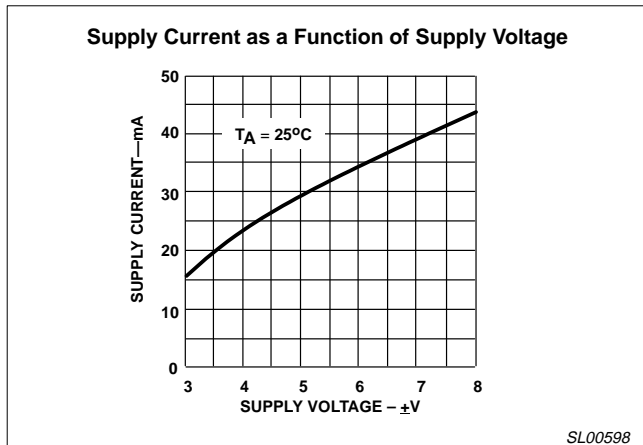


Figure 17.

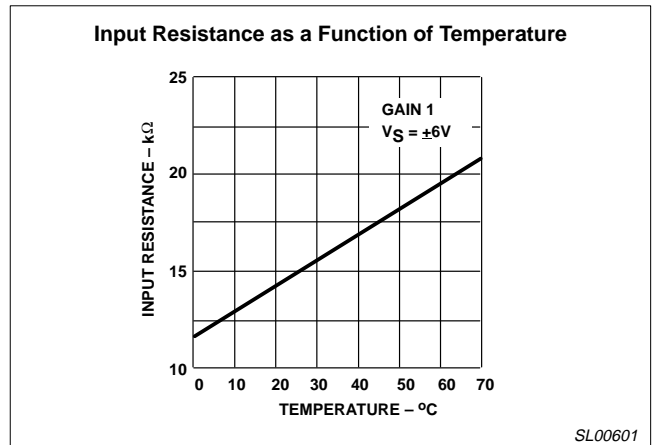


Figure 20.

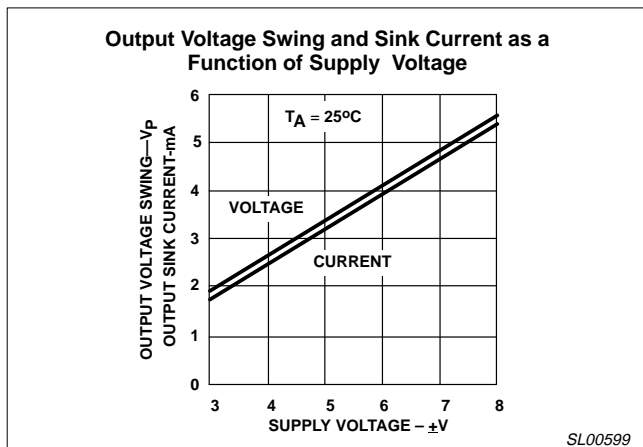


Figure 18.

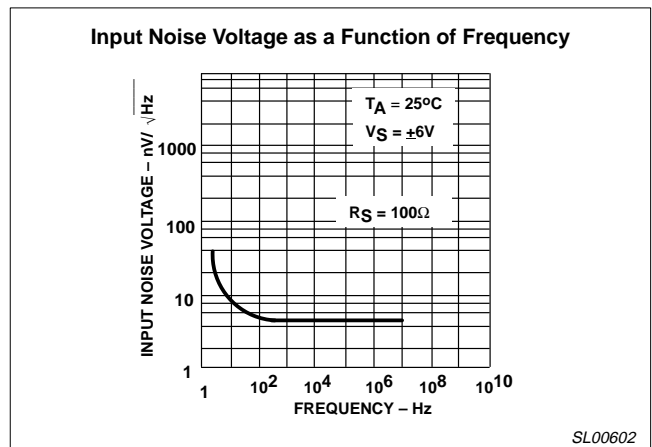


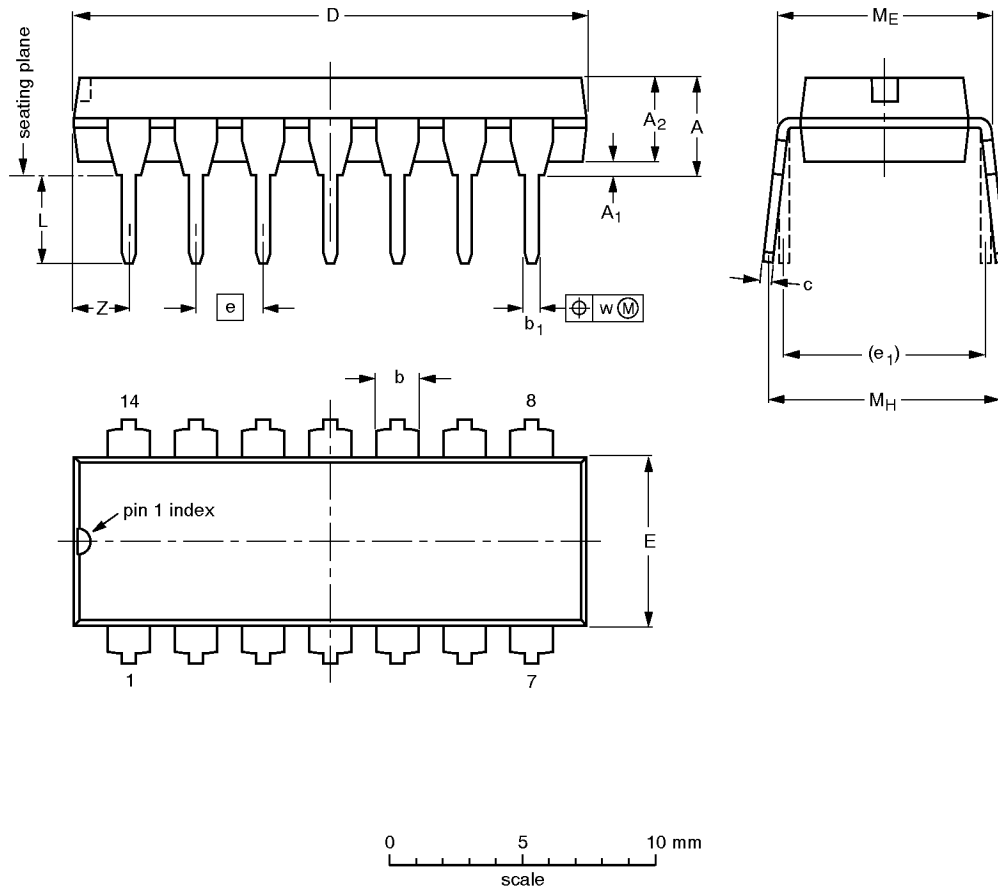
Figure 21.

Video amplifier

NE5592

DIP14: plastic dual in-line package; 14 leads (300 mil)

SOT27-1



DIMENSIONS (inch dimensions are derived from the original mm dimensions)

UNIT	A max.	A ₁ min.	A ₂ max.	b	b ₁	c	D ⁽¹⁾	E ⁽¹⁾	e	e ₁	L	M _E	M _H	w	Z ⁽¹⁾ max.
mm	4.2	0.51	3.2	1.73 1.13	0.53 0.38	0.36 0.23	19.50 18.55	6.48 6.20	2.54	7.62	3.60 3.05	8.25 7.80	10.0 8.3	0.254	2.2
inches	0.17	0.020	0.13	0.068 0.044	0.021 0.015	0.014 0.009	0.77 0.73	0.26 0.24	0.10	0.30	0.14 0.12	0.32 0.31	0.39 0.33	0.01	0.087

Note

1. Plastic or metal protrusions of 0.25 mm maximum per side are not included.

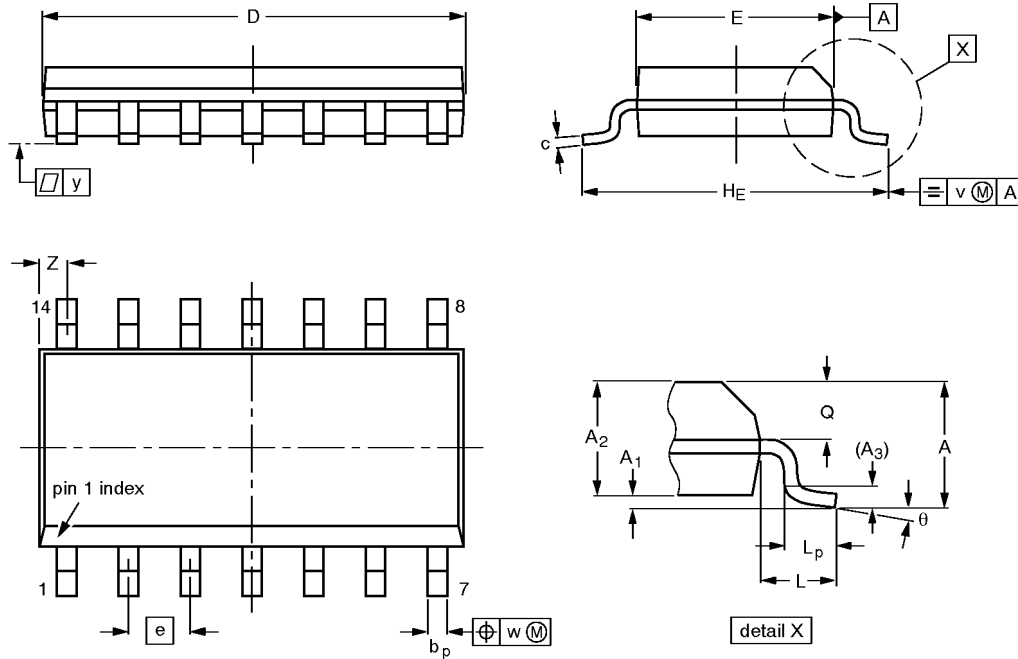
OUTLINE VERSION	REFERENCES				EUROPEAN PROJECTION	ISSUE DATE
	IEC	JEDEC	EIAJ			
SOT27-1	050G04	MO-001AA				92-11-17 95-03-11

Video amplifier

NE5592

SO14: plastic small outline package; 14 leads; body width 3.9 mm

SOT108-1



DIMENSIONS (inch dimensions are derived from the original mm dimensions)

UNIT	A max.	A ₁	A ₂	A ₃	b _p	c	D ⁽¹⁾	E ⁽¹⁾	e	H _E	L	L _p	Q	v	w	y	Z ⁽¹⁾	θ
mm	1.75	0.25 0.10	1.45 1.25	0.25	0.49 0.36	0.25 0.19	8.75 8.55	4.0 3.8	1.27	6.2 5.8	1.05	1.0 0.4	0.7 0.6	0.25	0.25	0.1	0.7 0.3	8° 0°
inches	0.069	0.0098 0.0039	0.057 0.049	0.01	0.019 0.014	0.0098 0.0075	0.35 0.34	0.16 0.15	0.050	0.24 0.23	0.041	0.039 0.016	0.028 0.024	0.01	0.01	0.004	0.028 0.012	

Note

1. Plastic or metal protrusions of 0.15 mm maximum per side are not included.

OUTLINE VERSION	REFERENCES				EUROPEAN PROJECTION	ISSUE DATE
	IEC	JEDEC	EIAJ			
SOT108-1	076E06S	MS-012AB				91-08-13 95-01-23

Video amplifier

NE5592

DEFINITIONS

Data Sheet Identification	Product Status	Definition
<i>Objective Specification</i>	Formative or in Design	This data sheet contains the design target or goal specifications for product development. Specifications may change in any manner without notice.
<i>Preliminary Specification</i>	Preproduction Product	This data sheet contains preliminary data, and supplementary data will be published at a later date. Philips Semiconductors reserves the right to make changes at any time without notice in order to improve design and supply the best possible product.
<i>Product Specification</i>	Full Production	This data sheet contains Final Specifications. Philips Semiconductors reserves the right to make changes at any time without notice, in order to improve design and supply the best possible product.

Philips Semiconductors and Philips Electronics North America Corporation reserve the right to make changes, without notice, in the products, including circuits, standard cells, and/or software, described or contained herein in order to improve design and/or performance. Philips Semiconductors assumes no responsibility or liability for the use of any of these products, conveys no license or title under any patent, copyright, or mask work right to these products, and makes no representations or warranties that these products are free from patent, copyright, or mask work right infringement, unless otherwise specified. Applications that are described herein for any of these products are for illustrative purposes only. Philips Semiconductors makes no representation or warranty that such applications will be suitable for the specified use without further testing or modification.

LIFE SUPPORT APPLICATIONS

Philips Semiconductors and Philips Electronics North America Corporation Products are not designed for use in life support appliances, devices, or systems where malfunction of a Philips Semiconductors and Philips Electronics North America Corporation Product can reasonably be expected to result in a personal injury. Philips Semiconductors and Philips Electronics North America Corporation customers using or selling Philips Semiconductors and Philips Electronics North America Corporation Products for use in such applications do so at their own risk and agree to fully indemnify Philips Semiconductors and Philips Electronics North America Corporation for any damages resulting from such improper use or sale.

Philips Semiconductors
811 East Arques Avenue
P.O. Box 3409
Sunnyvale, California 94088-3409
Telephone 800-234-7381

Philips Semiconductors and Philips Electronics North America Corporation register eligible circuits under the Semiconductor Chip Protection Act.
 © Copyright Philips Electronics North America Corporation 1987
 All rights reserved. Printed in U.S.A.