

8-bit Proprietary Microcontroller

CMOS

F²MC-8L MB89190/190A Series

MB89191/193/195/P195/PV190**MB89191A/191AH/193A/193AH/195A/P195A/PV190A**

■ OUTLINE

The MB89190/190A series microcontrollers contain various resources such as timers, serial interfaces, A/D converters, external interrupts, and remote-control functions, as well as an F²MC*-8L CPU core for low-voltage and high-speed operations. These single-chip microcontrollers are suitable for small devices such as remote controllers with compact packages.

*: F²MC stands for FUJITSU Flexible Microcontroller.

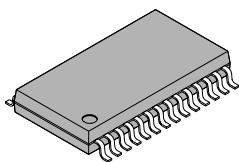
■ FEATURES

- Minimum execution time: 0.95 μ s at 4.2 MHz ($V_{CC} = 2.7$ V)
- F²MC-8L family CPU core
- Two timers
 - 8/16-bit timer/counter
 - 20-bit timebase counter
- Serial interface
 - 8-bit synchronous serial (Selectable transfer direction allows communication with various equipment.)

(Continued)

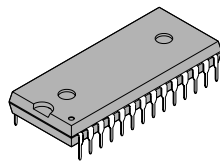
■ PACKAGE

28-pin Plastic SOP



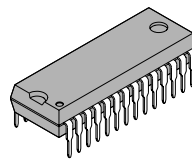
(FPT-28P-M17)

28-pin Plastic DIP



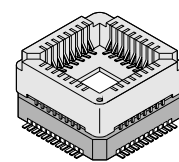
(DIP-28P-M05)

28-pin Plastic SH-DIP



(DIP-28P-M03)

48-pin Ceramic MQFP



(MQP-48C-P01)

MB89190/190A Series

(Continued)

- External interrupts
Edge detection (Selectable edge): 3 channels
Low-level interrupt (Wake-up function): 8 channels
- A/D converter (MB89190A series only)
8-bit successive approximation type: 8 channels
- Built-in remote-control transmitting frequency generator
- Low-power consumption modes
Stop mode (Almost no current consumption occurs because oscillation stops.)
Sleep mode (The current consumption is reduced about 1/3 of that during normal operation because the CPU stops.)
- Packages
SOP-28, SH-DIP-28, and DIP-28

■ PRODUCT LINEUP

| Part number Item | MB89191 MB89191A MB89191AH | MB89193 MB89193A MB89193AH | MB89195 MB89195A | MB89P195 MB89P195A | MB89PV190 MB89PV190A |
|---|--|-------------------------------------|--------------------------------------|--|---------------------------------|
| Classification | Mask ROM products | | | One-time product | For development and evaluation |
| ROM size | 4 K × 8 bits (internal mask ROM) | 8 K × 8 bits (internal mask ROM) | 16 K × 8 bits (internal mask ROM) | 16 K × 8 bits (internal PROM, to be programmed with general-purpose EPROM programmer) | 32 K × 8 bits (external ROM) |
| RAM size | 128 × 8 bits | 256 × 8 bits | | | |
| CPU functions | The number of basic instructions: 136 Instruction bit length: 8 bits Instruction length: 1 to 3 bytes Data bit length: 1, 8, and 16 bits Minimum execution time: 0.95 μs at 4.2 MHz Interrupt processing time: 8.57 μs at 4.2 MHz | | | | |
| Ports | Output port (N channel open drain): 4 (also serves as peripherals for MB89190A series) or 6 (for MB89190 series) I/O port (CMOS): 16 (also serves as peripherals) Total: 20 or 22 | | | | |
| Timer counter | 2 channels of 8-bit timer counter or one 16-bit event counter (operation clock: 1.9 μs, 30.4 μs, and 487.6 μs at 4.2 MHz, and external clock) | | | | |
| Serial I/O | 8 bits LSB/MSB first selectable Transfer clock (external, 1.9 μs, 7.6 μs, 30.4 μs at 4.2 MHz) | | | | |
| A/D converter (MB89190A series only) | 8 bits × 8 channels A/D conversion mode (conversion time: 41.9 μs at 4.2 MHz) Sense mode (conversion time: 11.9 μs at 4.2 MHz) Capable of continuous activation by an internal timer. Reference voltage input | | | | |

(Continued)

MB89190/190A Series

(Continued)

| Part number Item | MB89191 MB89191A MB89191AH | MB89193 MB89193A MB89193AH | MB89195 MB89195A | MB89P195 MB89P195A | MB89PV190 MB89PV190A |
|---|---|----------------------------------|---------------------|-----------------------|-------------------------|
| External interrupt 1 | 3 independent channels (selectable edge, interrupt vector, and interrupt source flag) Rising/falling/both edge selectable Used for wake-up from stop/sleep mode. (Edge detection is also permitted in the stop mode.) | | | | |
| External interrupt 2 (Wake-up function) | 8 channels (low-level interrupt only) | | | | |
| Remote-control transmitting frequency generator | The pulse width and cycle are software-programmable. | | | | |
| Standby mode | Sleep mode and stop mode | | | | |
| Process | CMOS | | | | |
| Operating voltage* | 2.2 V to 6.0 V | | | 2.7 V to 6.0 V | |
| EPROM for use | | | | | MBM27C256A- 20TVM |

* : Varies with conditions such as operating frequencies (see "■ Electrical Characteristics.") It differs from the operating voltage of an A/D converter.

■ PACKAGE AND CORRESPONDING PRODUCTS

| Package | MB89191 MB89191A MB89191AH MB89193 MB89193A MB89193AH MB89195 MB89195A | MB89P195 MB89P195A | MB89PV190 MB89PV190A |
|-------------|---|-----------------------|-------------------------|
| DIP-28P-M05 | ○ | ○ | × |
| DIP-28P-M03 | ○ | × | × |
| FPT-28P-M17 | ○ | ○ | × |
| MQP-48C-P01 | × | × | ○* |

○ : Available × : Not available

* : A socket (manufacturer: Sun Hayato Co., Ltd.) for pin pitch conversion is available.

48QF-28SOP-8L: (MQP-48C-P01) → for conversion to FPT-28P-M17

Inquiry: Sun Hayato Co., Ltd.: TEL (81)-3-3986-0403

FAX (81)-3-5396-9106

Note: For more information on each package, see "■ Package Dimensions."

MB89190/190A Series

■ DIFFERENCES AMONG PRODUCTS

1. Memory Size

Before evaluating using the piggyback model, verify its difference from the model that will actually be used. Take particular care on the following points:

- On the MB89191/191A, addresses 0140_H to 0180_H cannot be used for register banks.
- The stack area, etc., is set in the upper limit of the RAM.

2. Current Consumption

- In the case of MB89PV190/PV190A, added is the current consumed by the EPROM which is connected to the top socket.
- When operated at low speed, the products with an OTPROM (EPROM) will consume more current than the products with a mask ROM.
However, the same is current consumption in the sleep/stop mode. (For more information, see “■ Electrical Characteristics.”)

3. Mask Options

Functions that can be selected as options and how to designate these options vary with product.

Before using options, check “■ Mask Options.”

Take particular care on the following points:

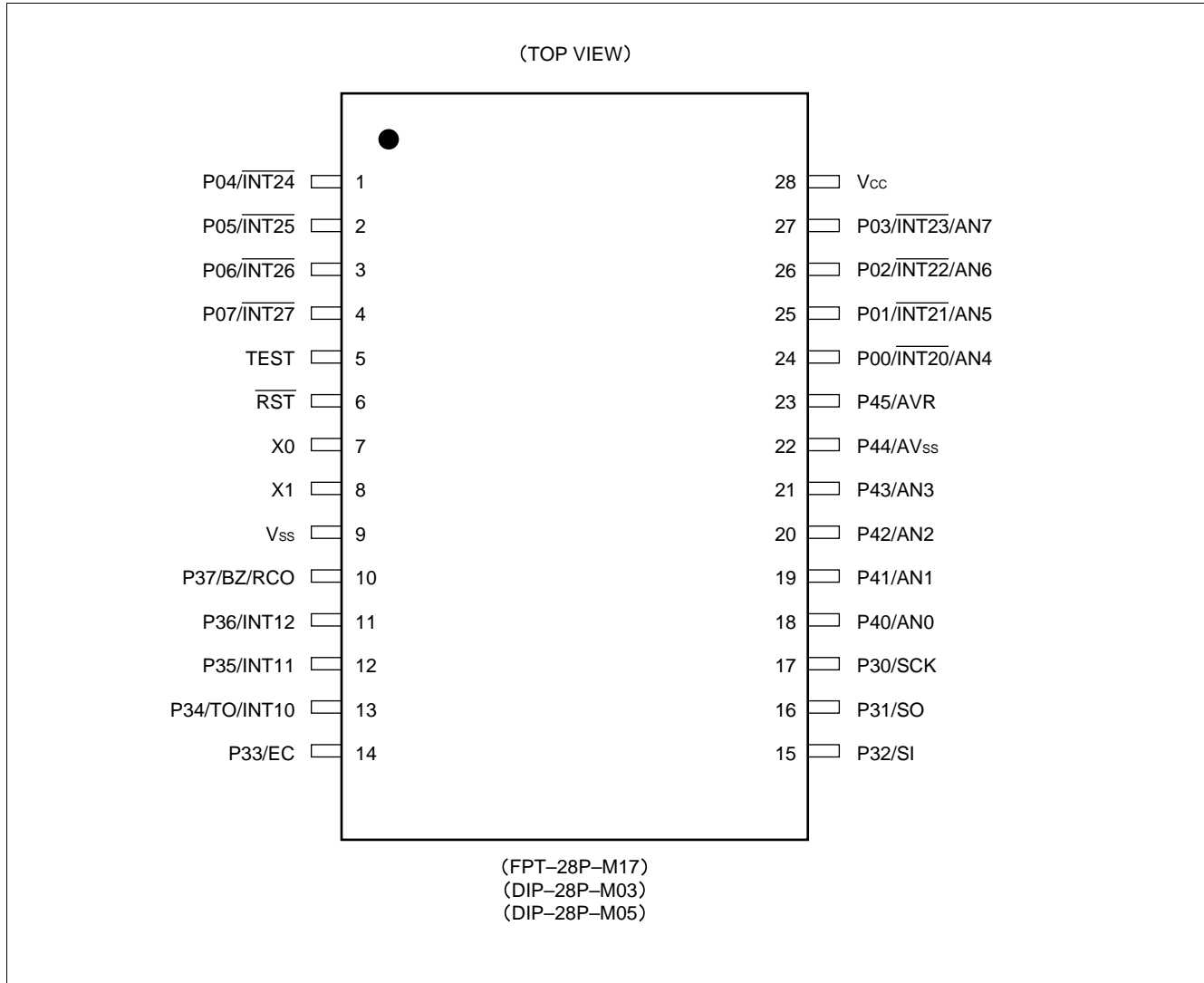
- Pull-up resistor optional cannot be set for P00 to P03, and P40 to P45 on the MB89191A/193A/195A/P195A.
- The power-on reset option is fixed as “enabled” for MB89P195/P195A.
- Options are fixed on the MB89PV190/PV190A.

4. MB89191AH/MB89193AH

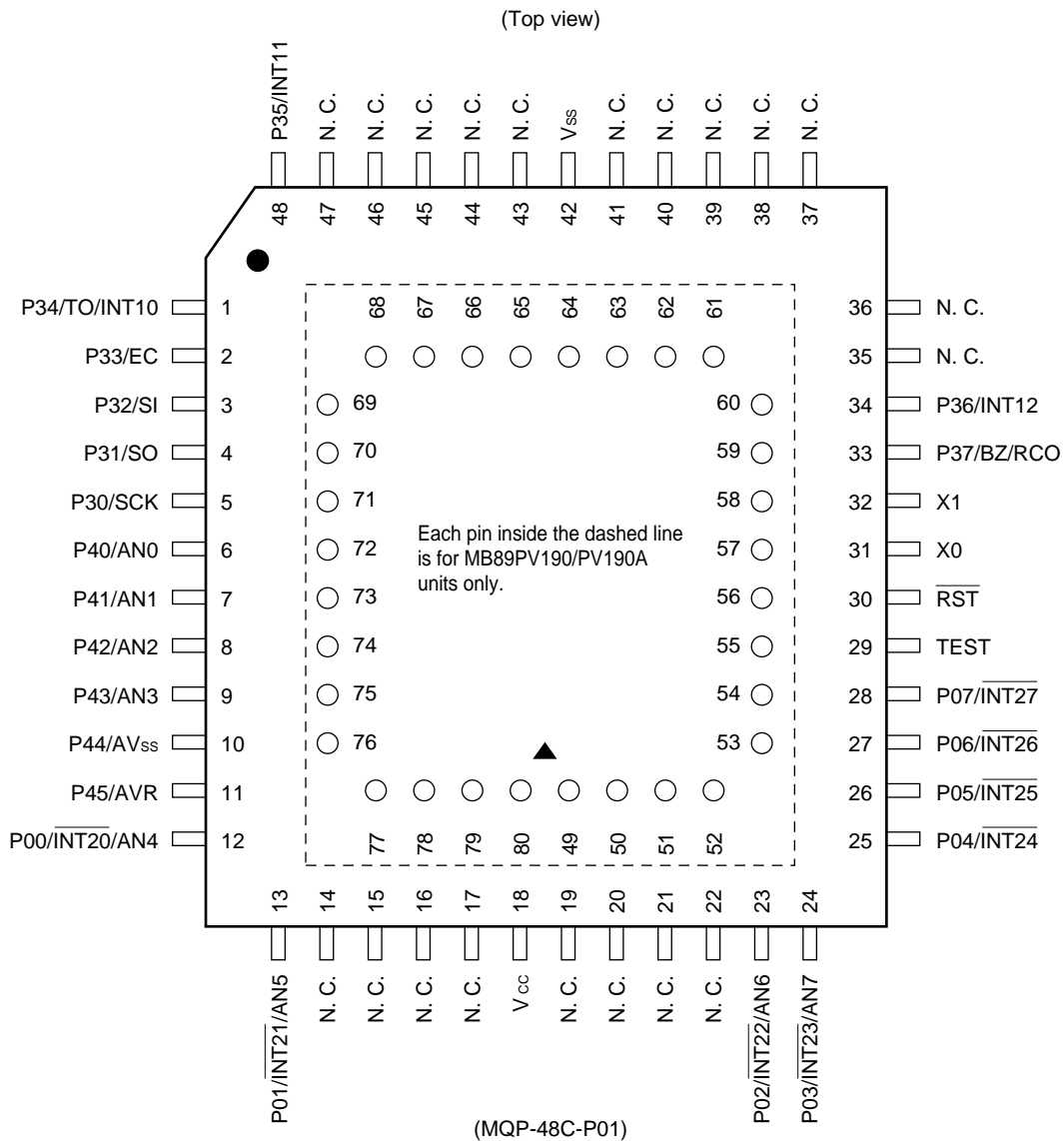
MB89191AH/193AH are “L” level heavy output current drive type of P30 to P32 and P40 to P43 of MB89191A/193A. Characteristics other than “L” level output of P30 to P32 and P40 to P43 are the same as MB89191A/193A.

MB89190/190A Series

■ PIN ASSIGNMENT



MB89190/190A Series



• Pin assignment on the package top (MB89PV190/PV190A only)

| Pin no. | Pin name | Pin no. | Pin name | Pin no. | Pin name | Pin no. | Pin name |
|---------|-----------------|---------|-----------------|---------|-----------------|---------|-----------------|
| 49 | V _{PP} | 57 | N.C. | 65 | O4 | 73 | \overline{OE} |
| 50 | A12 | 58 | A2 | 66 | O5 | 74 | N.C. |
| 51 | A7 | 59 | A1 | 67 | O6 | 75 | A11 |
| 52 | A6 | 60 | A0 | 68 | O7 | 76 | A9 |
| 53 | A5 | 61 | O1 | 69 | O8 | 77 | A8 |
| 54 | A4 | 62 | O2 | 70 | \overline{CE} | 78 | A13 |
| 55 | A3 | 63 | O3 | 71 | A10 | 79 | A14 |
| 56 | N.C. | 64 | V _{SS} | 72 | N.C. | 80 | V _{CC} |

N.C.: Internally connected. Do not use.

MB89190/190A Series

■ PIN DESCRIPTION

| Pin no. | | Pin name | Circuit type | Function |
|---|------------------------|---|--------------|---|
| SOP ^{*1} , DIP ^{*2} SH-DIP ^{*3} | MQFP ^{*4} | | | |
| 7 | 31 | X0 | A | Clock oscillation pins |
| 8 | 32 | X1 | | |
| 5 | 29 | TEST | B | Test input pin Connect directly to V _{ss} . |
| 6 | 30 | $\overline{\text{RST}}$ | C | Reset I/O pin This pin consists of an N-ch open-drain output with a pull-up resistor and of hysteresis input. A low level is output from this pin by internal source. The internal circuit is initialized by the input of a low level. |
| 24 to 27 | 12 13, 23, 24 | P00/ $\overline{\text{INT20}}$ / AN4 to P03/ $\overline{\text{INT23}}$ /AN7 | G | General-purpose I/O ports Also serve as external interrupt input pins. In the MB89190A series, also serve as analog input pins. External interrupt input is of hysteresis input type. |
| 1 to 4 | 25 to 28 | P04/ $\overline{\text{INT24}}$ to P07/ $\overline{\text{INT27}}$ | D | General-purpose I/O ports Also serve as external interrupt input. External interrupt input is of hysteresis input type. |
| 17 | 5 | P30/SCK | D | General-purpose I/O port Also serves as clock I/O for the 8-bit serial I/O interface. The serial I/O clock input is of hysteresis input type with a built-in noise filter. |
| 16 | 4 | P31/SO | E | General-purpose I/O port Also serves as a serial I/O data output pin. |
| 15 | 3 | P32/SI | D | General-purpose I/O port Also serves as a serial I/O data input pin. The serial I/O data input is of hysteresis input type with a built-in noise filter. |
| 14 | 2 | P33/EC | D | General-purpose I/O port Also serves as an external clock input pin for the 8-bit timer/counter. External clock input of the 8-bit timer/counter is hysteresis input type with a built-in noise filter. |
| 13 | 1 | P34/TO/ INT10 | D | General-purpose I/O port Also serves as the overflow output and external interrupt input for the 8-bit timer/counter. External interrupt input is of hysteresis input type with a built-in noise filter. |

*1: FPT-28P-M17

*2: DIP-28C-M05

*3: DIP-28P-M03

*4: MQP-48C-P01

(Continued)

MB89190/190A Series

(Continued)

| Pin no. | | Pin name | Circuit type | Function |
|---|--------------------|-----------------------|--------------|--|
| SOP* ¹ , DIP* ² SH-DIP* ³ | MQFP* ⁴ | | | |
| 12 | 48 | P35/INT11 | D | General-purpose I/O port Also serve as external interrupt input pins. External interrupt input is of hysteresis input type with a built-in noise filter. |
| 11 | 34 | P35/INT12 | | |
| 10 | 33 | P37/BZ/RCO | E | General-purpose I/O port Also serves as a buzzer output pin and remote-control output pin. |
| 18 to 21 | 6 to 9 | P40/AN0 to P43/AN3 | F | N-ch open-drain output ports Also serve as analog input pins for the A/D converter. |
| 23 | 11 | P45/AVR | F | In the MB89190A series, also serves as a reference voltage input pin for the A/D converter. In the MB89190 series, serves as an N-ch open-drain output port. |
| 22 | 10 | P44/AV _{ss} | F | In the MB89190A series, also serves as a power pin for the A/D converter, and should be applied the same voltage as V _{ss} to. In the MB89190 series, also serves as an N-ch open-drain output port. |
| 28 | 18 | V _{cc} | — | Power supply pin |
| 9 | 42 | V _{ss} | — | Power supply (GND) pin |

*1: FPT-28P-M17

*2: DIP-28P-M05

*3: DIP-28P-M03

*4: MQP-48C-P01

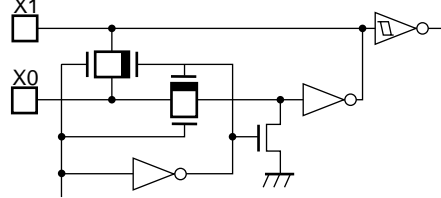
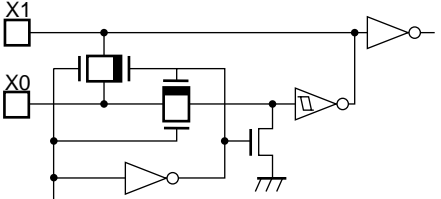
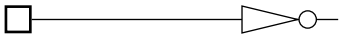
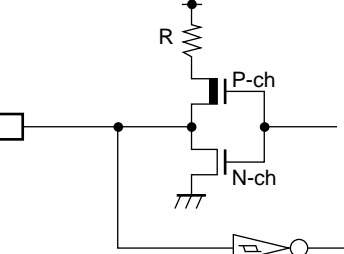
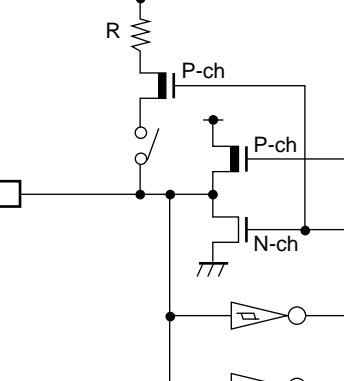
MB89190/190A Series

- External EPROM pins (MB89PV190/PV190A)

| Pin no. | Pin name | I/O | Function |
|---------|-----------------|-----|--|
| 49 | V _{PP} | O | "H" level output pin |
| 79 | A14 | O | Address output pins |
| 78 | A13 | | |
| 50 | A12 | | |
| 75 | A11 | | |
| 71 | A10 | | |
| 76 | A9 | | |
| 77 | A8 | | |
| 51 | A7 | | |
| 52 | A6 | | |
| 53 | A5 | | |
| 54 | A4 | | |
| 55 | A3 | | |
| 58 | A2 | | |
| 59 | A1 | | |
| 60 | A0 | | |
| 61 | O1 | I | Data input pins |
| 62 | O2 | | |
| 63 | O3 | | |
| 65 | O4 | | |
| 66 | O5 | | |
| 67 | O6 | | |
| 68 | O7 | | |
| 69 | O8 | | |
| 70 | \overline{CE} | O | ROM chip enable pin Outputs "H" during standby. |
| 73 | \overline{OE} | O | ROM output enable pin Outputs "L" at all times. |
| 80 | V _{CC} | O | EPROM power pin |
| 64 | V _{SS} | O | Power supply (GND) pin |

MB89190/190A Series

■ I/O CIRCUIT TYPE

| Type | Circuit | Remarks |
|------|---|--|
| A |  <p>Standby control signal</p> | <ul style="list-style-type: none"> • Oscillation feedback resistor of approximately 1 MΩ at 5 V • When crystal and ceramic oscillators are selected optionally |
| |  <p>Standby control signal</p> | <ul style="list-style-type: none"> • When CR oscillation is selected optionally |
| B |  | |
| C |  <p>R P-ch N-ch</p> | <ul style="list-style-type: none"> • Output pull-up resistor (P-ch): Approx. 50 kΩ at 5 V • Hysteresis input |
| D |  <p>R P-ch P-ch N-ch</p> | <ul style="list-style-type: none"> • CMOS output • CMOS input • Hysteresis input (resource input) • Pull-up resistor optional |

(Continued)

MB89190/190A Series

(Continued)

| Type | Circuit | Remarks |
|------|---------|---|
| E | | <ul style="list-style-type: none"> • CMOS output • CMOS input • Pull-up resistor optional |
| F | | <ul style="list-style-type: none"> • N-ch open-drain output • Analog input • Pull-up resistor optional (MB89190 series only) |
| G | | <ul style="list-style-type: none"> • CMOS output • CMOS input • Hysteresis input (resource input) • Analog input • Pull-up resistor optional (MB89190 series only) |

MB89190/190A Series

■ HANDLING DEVICES

1. Preventing Latch-up

Latchup may occur on CMOS ICs if voltage higher than V_{CC} or lower than V_{SS} is applied to input or output pins other than medium- and high-voltage pins or if higher than the voltage which shows on “1. Absolute Maximum Ratings” in “■ Electrical Characteristics” is applied between V_{CC} to V_{SS} .

When latchup occurs, power supply current increases rapidly and might thermally damage elements. When using, take great care not to exceed the absolute maximum ratings.

Also, take care to prevent the analog power supply (AV_{CC} and AVR) and analog input from exceeding the digital power supply (V_{CC}) when the analog system power supply is turned on and off.

2. Treatment of Unused Input Pins

Leaving unused input pins open could cause malfunctions. They should be connected to pull-up or pull-down resistor.

3. Treatment of Power Supply Pins on Microcontrollers with A/D and D/A Converters

Connect to be $AV_{CC}=DAVC=V_{CC}$ and $AV_{SS}=AVR=V_{SS}$ even if the A/D and D/A converters are not in use.

4. Treatment of N.C. Pin

Be sure to leave (internally connected) N.C. pins open.

5. Power Supply Voltage Fluctuations

Although operation is assured within the rated range of V_{CC} power supply voltage, a rapid fluctuation of the voltage could cause malfunctions within the rated range. Stabilizing voltage supplied to the IC is therefore important. As stabilization guidelines, it is recommended to control power so that V_{CC} ripple fluctuations (P-P value) will be less than 10% of the standard V_{CC} value at the commercial frequency (50 to 60 Hz) and the transient fluctuation rate will be less than 0.1 V/ms at the time of a momentary fluctuation such as when power is switched.

6. Precautions when Using an External Clock

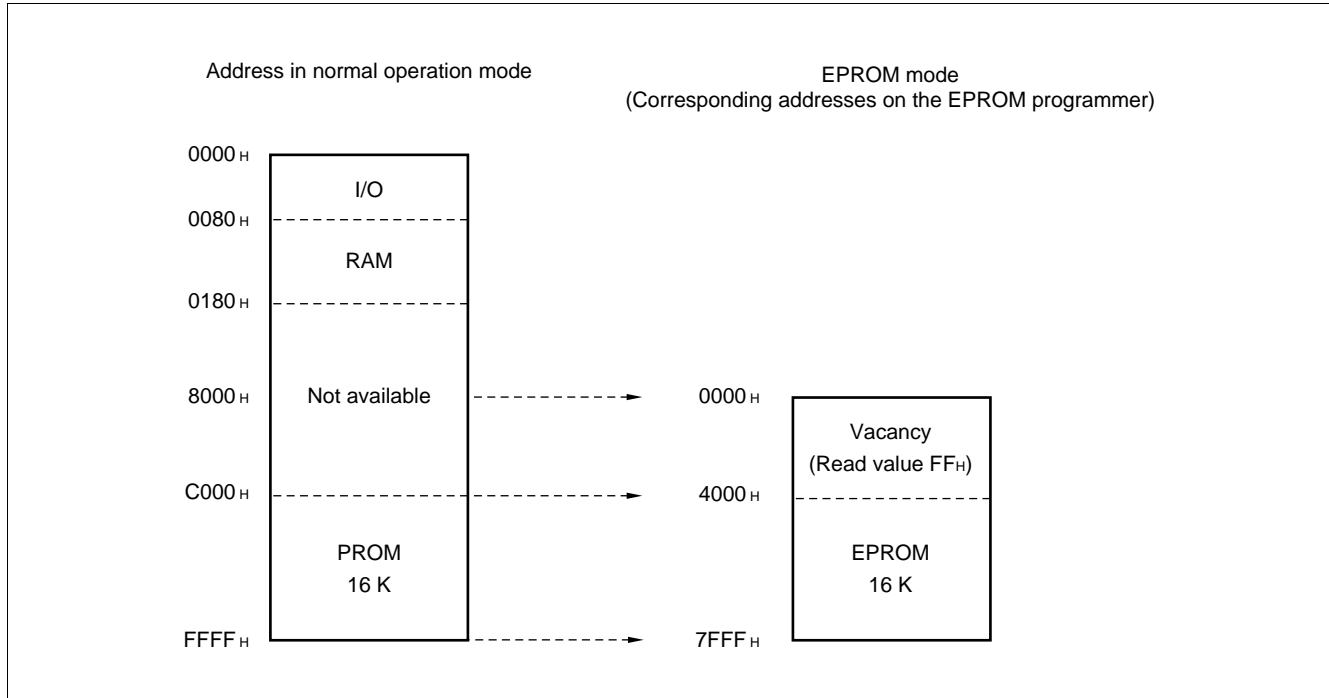
Even when an external clock is used, oscillation stabilization time is required for power-on reset (optional) and release from stop mode.

MB89190/190A Series

■ PROGRAMMING TO PROM ON THE MB89P195/P195A

The MB89P195/P195A can program data in the internal PROM using a dedicated conversion adaptor and specified general-purpose EPROM programmer.

1. Memory Space



• Programming procedure

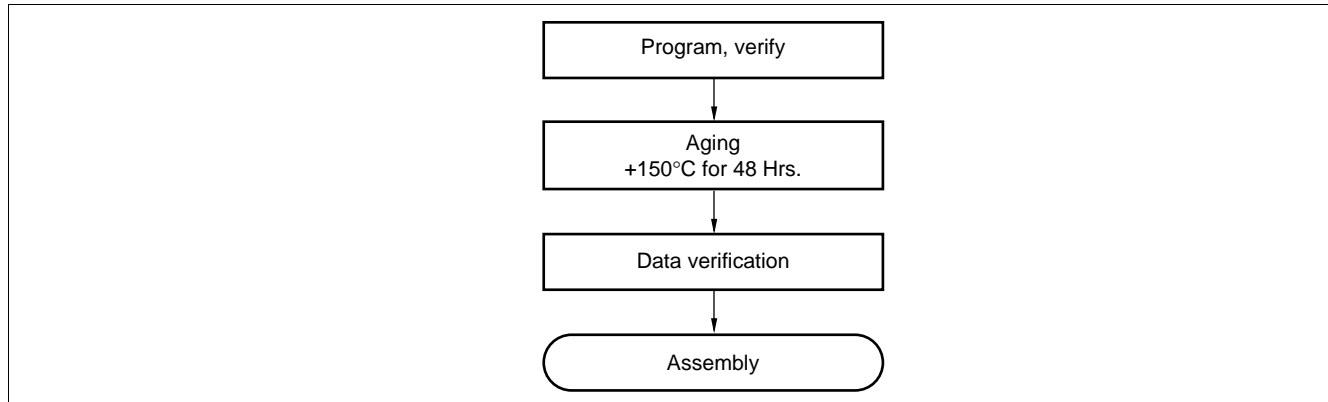
- (1) Load program data into the ROM programmer at addresses 4000_H to 7FFF_H. (Addresses 0C000_H to 0FFFF_H in the operation mode correspond to 4000_H to 7FFF_H in ROM programmer. See the illustration above.)
- (2) Set the data at addresses 0000_H to 3FFF_H of the programmer ROM in the ROM programmer, to FF_H.
- (3) Program in the successive-address write mode of the ROM programmer.

Note: Program must be started at the address 00000_H.
For details, contact our Sales Division.

MB89190/190A Series

2. Recommended Screening Conditions

High-temperature aging is recommended as the pre-assembly screening procedure for a product with a blanked OTPROM microcontroller program.



3. Programming Yield

Due to its nature, bit programming test can't be conducted as Fujitsu delivery test. For this reason, a programming yield of 100% cannot be assured at all times.

4. EPROM Programmer Socket Adapter

| Part no. | Package | Compatible socket adapter Sun Hayato Co., Ltd. | Recommended programmer manufacturer and programmer name | | | |
|-------------|---------|---|---|-------------------------------|----------------------------|----------------------------|
| | | | Minato Electronics Inc. | | Data I/O Co., Ltd. | |
| | | | MODEL1890A (ver.2.2) + OU-910 (ver.4.1) | UNISITE (ver.5.0 or later) | 3900 (ver.2.8 or later) | 2900 (ver.3.8 or later) |
| MB89P195 | DIP-28 | ROM-28DP-28DP-8L | Recommended | Recommended | | |
| MB89P195A | | | | | | |
| MB89P195PF | SOP-28 | ROM-28SOP-28DP-8L | Recommended | Recommended | | |
| MB89P195APF | | | | | | |

Inquiry: Sun Hayato Co., Ltd.: TEL: (81)-3-3986-0403

FAX: (81)-3-5396-9106

Minato Electronics Inc.: TEL: USA (1)-916-348-6066

JAPAN (81)-45-591-5611

Data I/O Co., Ltd.: TEL: USA/ASIA (1)-206-881-6444

EUROPE (49)-8-985-8580

MB89190/190A Series

■ PROGRAMMING TO THE EPROM WITH PIGGYBACK/EVALUATION DEVICE

1. EPROM for Use

MBM27C256A-20TVM

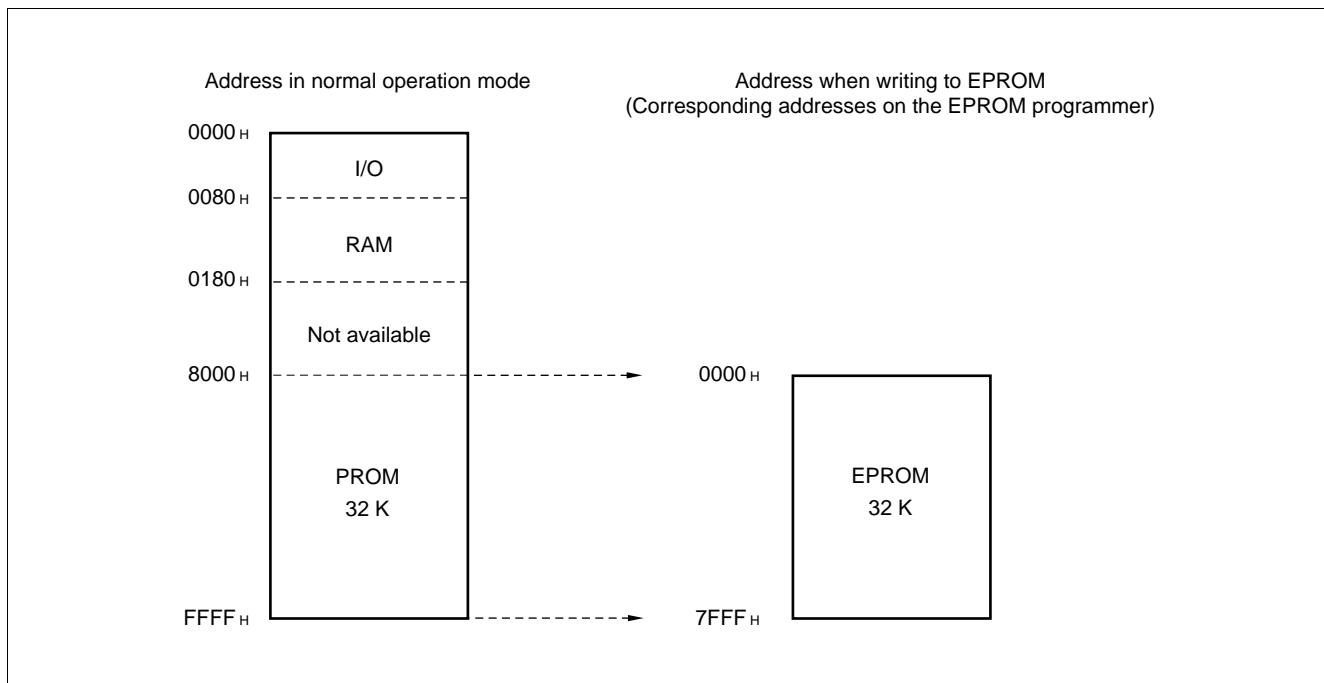
2. Programming Socket Adapter

To program to the EPROM using an EPROM programmer, use the socket adapter (manufacturer: Sun Hayato Co., Ltd.) below.

| Package | Adapter socket part number |
|---------|----------------------------|
| LCC-32 | ROM-32LC-28DP-YS |

Inquiry: Sun Hayato Co., Ltd.: TEL (81)-3-3986-0403
FAX (81)-3-5396-9106

3. Memory Space

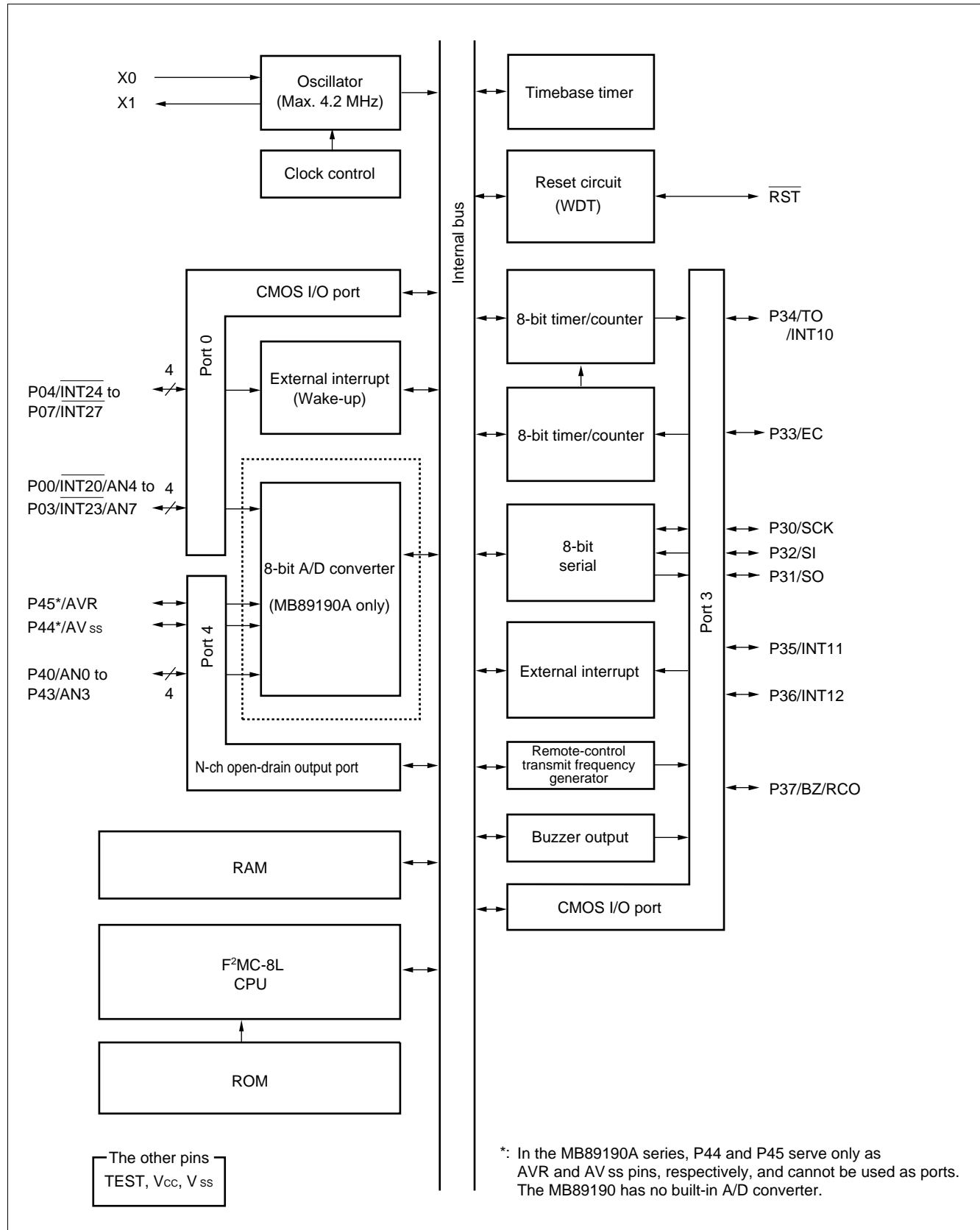


4. Programming to the EPROM

- (1) Set the EPROM programmer for MBM27C256A.
- (2) Load program data into the EPROM programmer at 0000_H to 7FFF_H.
- (3) Program to 0000_H to 7FFF_H with the EPROM programmer.

MB89190/190A Series

■ BLOCK DIAGRAM

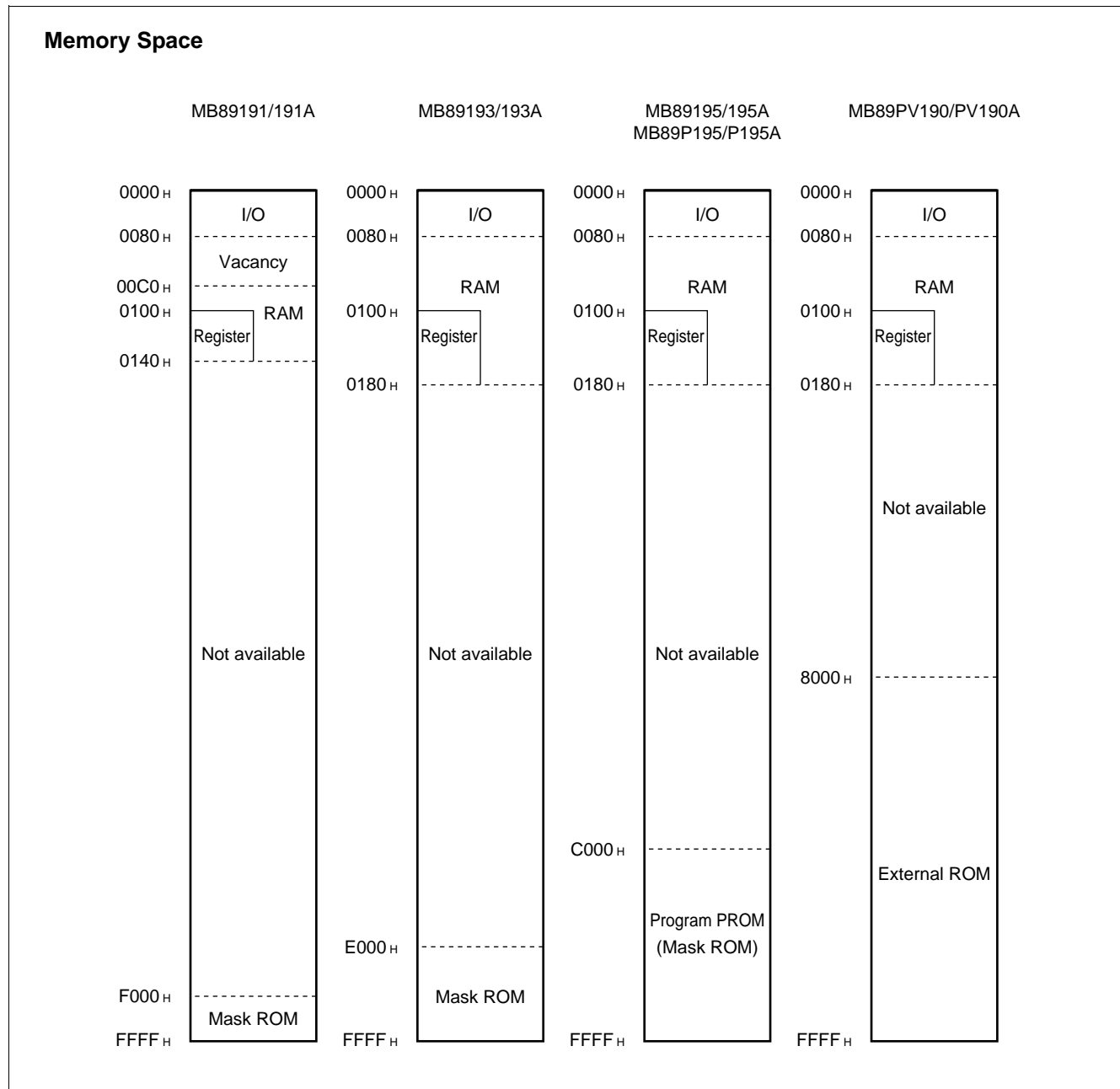


MB89190/190A Series

■ CPU CORE

1. Memory Space

The microcontrollers of MB89190/190A series offer a 64 Kbytes of memory for storing all of I/O, data, and program areas. The I/O area is allocated from the lowest address. The data area is allocated immediately above the I/O area. The data area can be divided into register, stack, and direct areas according to the application. The program area is allocated from exactly the opposite end of I/O area, that is, the highest address. The tables of interrupt reset vectors, and vector call instructions are allocated from the highest address within the program area. The memory space of the MB89190/190A series is structured below:

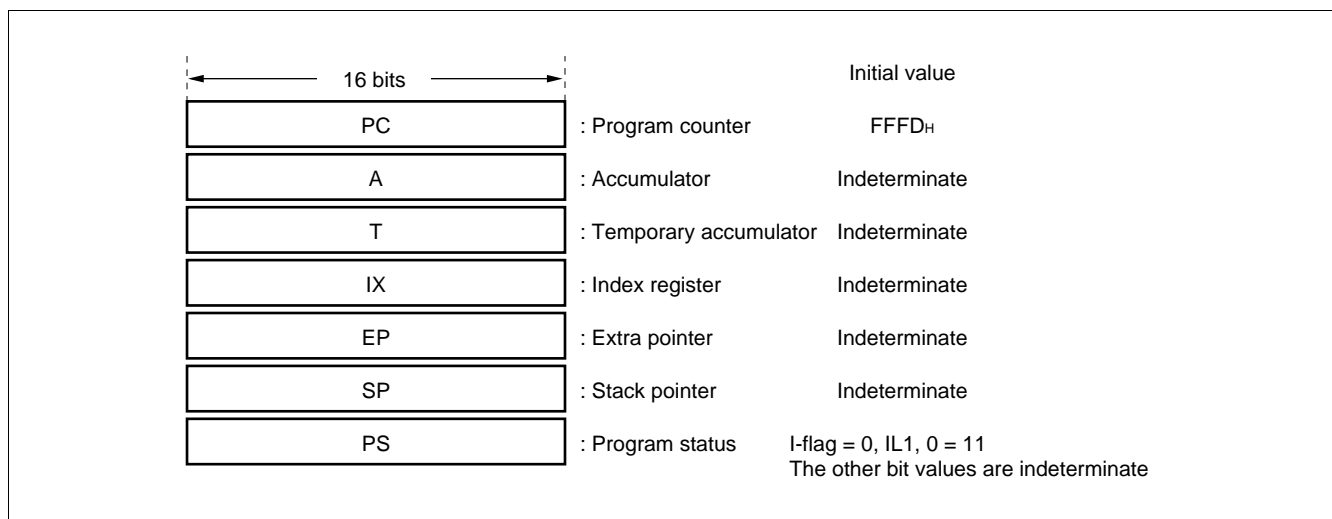


MB89190/190A Series

2. Registers

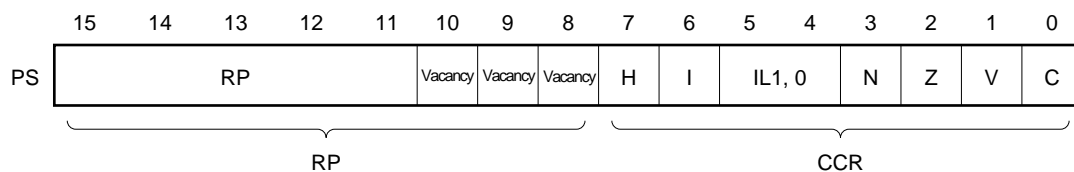
The F²MC-8L family has two types of registers; dedicated hardware registers and general-purpose memory registers. The following dedicated registers are provided:

| | |
|----------------------------|--|
| Program counter (PC): | A 16-bit-long register for indicating the instruction storage positions |
| Accumulator (A): | A 16-bit-long temporary register for arithmetic operations, etc. When the instruction is an 8-bit data processing instruction, the lower byte is used. |
| Temporary accumulator (T): | A 16-bit-long register which is used for arithmetic operations with the accumulator. When the instruction is an 8-bit data processing instruction, the lower byte is used. |
| Index register (IX): | A 16-bit-long register for index modification |
| Extra pointer (EP) : | A 16-bit-long pointer for indicating a memory address |
| Stack pointer (SP) : | A 16-bit-long pointer for indicating a stack area |
| Program status (PS) : | A 16-bit-long register for storing a register pointer, a condition code |



The PS can further be divided into higher 8 bits for use as a register bank pointer (RP) and the lower 8 bits for use as a condition code register (CCR) (see the diagram below).

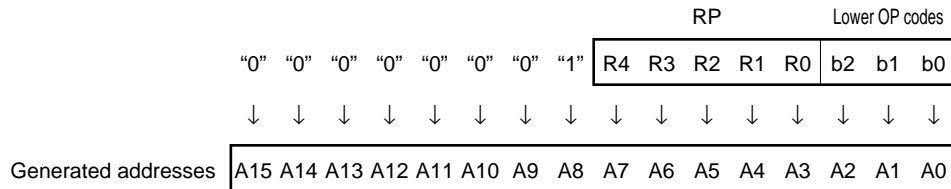
Structure of the Program Status Register



MB89190/190A Series

The RP indicates the address of the register bank currently in use. The relationship between the pointer contents and the actual address is based on the conversion rule illustrated below.

Rule for Conversion of Actual Addresses of the General-purpose Register Area



The CCR consists of bits indicating the results of arithmetic operations and the contents of transfer data, and bits for control of CPU operations at the time of an interrupt.

H-flag: Set to '1' when a carry or a borrow from bit 3 to bit 4 occurs as a result of an arithmetic operation. Cleared to '0' otherwise. This flag is for decimal adjustment instructions.

I-flag: Interrupt is enabled when this flag is set to '1'. Interrupt is disabled when the flag is cleared to '0'. Cleared to '0' at the reset.

IL1, 0: Indicates the level of the interrupt currently allowed. Processes an interrupt only if its request level is higher than the value indicated by this bit.

| IL1 | ILO | Interrupt level | High-low |
|-----|-----|-----------------|----------|
| 0 | 0 | 1 | High |
| 0 | 1 | | ↑ |
| 1 | 0 | 2 | ↓ |
| 1 | 1 | 3 | |

N-flag: Set to '1' if the MSB becomes '1' as the result of an arithmetic operation. Cleared to '0' otherwise.

Z-flag: Set to '1' when an arithmetic operation results in 0. Cleared to '0' otherwise.

V-flag: Set to '1' if the complement on '2' overflows as a result of an arithmetic operation. Cleared to '0' if the overflow does not occur.

C-flag: Set to '1' when a carry or a borrow from bit 7 occurs as a result of an arithmetic operation. Cleared to '0' otherwise. Set to '1' the shift-out value in the case of a shift instruction.

MB89190/190A Series

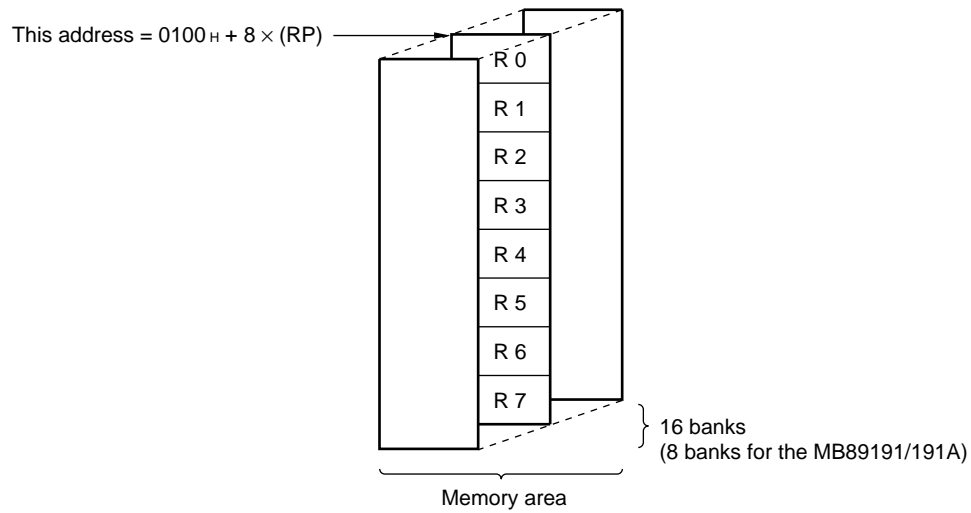
The following general-purpose registers are provided:

General-purpose registers: An 8-bit-long register for storing data

The general-purpose registers are of 8 bits and located in register banks of the memory. One bank contains eight registers and up to a total of 16 banks can be used on the MB89190/190A (8 banks on MB89191/191A). The bank currently in use is indicated by the register bank pointer. (RP)

Note: The number of register banks that can be used varies with the RAM size.

Register Bank Configuraiton



MB89190/190A Series

■ I/O MAP

| Address | Read/write | Register name | Register description |
|------------------------------------|------------|---------------|--|
| 00 _H | (R/W) | PDR0 | Port 0 data register |
| 01 _H | (W) | DDR0 | Port 0 data direction register |
| 02 _H | (R/W) | ENI0 | Port 0 input enable register |
| 03 _H to 07 _H | | | Vacancy |
| 08 _H | (R/W) | STBC | Standby control register |
| 09 _H | (R/W) | WDTC | Watchdog control register |
| 0A _H | (R/W) | TBTC | Time-base timer control register |
| 0B _H | | | Vacancy |
| 0C _H | (R/W) | PDR3 | Port 3 data register |
| 0D _H | (W) | DDR3 | Port 3 data direction register |
| 0E _H | (R/W) | PDR4 | Port 4 data register |
| 0F _H | (R/W) | BUZR | Buzzer register |
| 10 _H to 13 _H | | | Vacancy |
| 14 _H | (R/W) | RCR1 | Remote-control transmit control register 1 |
| 15 _H | (R/W) | RCR2 | Remote-control transmit control register 2 |
| 16 _H | | | Vacancy |
| 17 _H | | | Vacancy |
| 18 _H | (R/W) | T2CR | Timer 2 control register |
| 19 _H | (R/W) | T1CR | Timer 1 control register |
| 1A _H | (R/W) | T2DR | Timer 2 data register |
| 1B _H | (R/W) | T1DR | Timer 1 data register |
| 1C _H | (R/W) | SMR | Serial mode register |
| 1D _H | (R/W) | SDR | Serial data register |
| 1E _H | | | Vacancy |
| 1F _H | | | Vacancy |
| 20 _H | (R/W) | ADC1 | A/D converter control register 1 |
| 21 _H | (R/W) | ADC2 | A/D converter control register 2 |
| 22 _H | (R/W) | ADCD | A/D converter data register |
| 23 _H | (R/W) | EIC1 | External interrupt control register 1 |
| 24 _H | (R/W) | EIC2 | External interrupt control register 2 |
| 25 _H to 31 _H | | | Vacancy |
| 32 _H | (R/W) | EIE2 | External interrupt 2 enable register |
| 33 _H | (R/W) | EIF2 | External interrupt 2 flag register |
| 34 _H to 7B _H | | | Vacancy |
| 7C _H | (W) | ILR1 | Interrupt level register 1 |
| 7D _H | (W) | ILR2 | Interrupt level register 2 |
| 7E _H | (W) | ILR3 | Interrupt level register 3 |
| 7F _H | | | Vacancy |

Note: Do not use vacancies.

MB89190/190A Series

■ ELECTRICAL CHARACTERISTICS

1. Absolute Maximum Rating

($V_{SS} = V_{SS} = 0.0\text{ V}$)

| Parameter | Symbol | Value | | Unit | Remarks |
|--|-------------------|----------------|-----------------|------|--|
| | | Min. | Max. | | |
| Power supply voltage | V_{CC} | $V_{SS} - 0.3$ | $V_{SS} + 7.0$ | V | |
| | AVR | $V_{SS} - 0.3$ | $V_{SS} + 7.0$ | V | Must not exceed $V_{CC} + 0.3\text{ V}$. MB89190A series only |
| EPROM program voltage | V_{PP} | $V_{SS} - 0.3$ | $V_{SS} + 13.0$ | V | MB89P195/P195A only |
| Input voltage | V_I | $V_{SS} - 0.3$ | $V_{CC} + 0.3$ | V | |
| Output voltage | V_O | $V_{SS} - 0.3$ | $V_{CC} + 0.3$ | V | |
| “L” level maximum output current | I_{OL1} | — | 10 | mA | Except P33 and P34 (Except P30 to P34 and P40 to P43 for MB89191AH/193AH) |
| | I_{OL2} | — | 20 | mA | P33, P34(P30 to P34 and P40 to P43 for MB89191AH/193AH) |
| “L” level average output current | I_{OLAV1} | — | 4 | mA | Except P33 and P34 (Except P30 to P34 and P40 to P43 for MB89191AH/193AH) Average value (operating current × operation rate) |
| | I_{OLAV2} | — | 8 | mA | P33 and P34(P30 to P34 and P40 to P43 for MB89191AH/193AH) Average value (operating current × operation rate) |
| “L” level total average output current | ΣI_{OLAV} | — | 20 | mA | Average value (operating current × operation rate) |
| “L” level total maximum output current | ΣI_{OL} | — | 100 | mA | |
| “H” level maximum output current | I_{OH1} | — | -10 | mA | Except P33, P34, and P37 |
| | I_{OH2} | — | -20 | mA | P33, P34, P37 |
| “H” level average output current | I_{OHAV1} | — | -2 | mA | Except P33, P34, and P37 Average value (operating current × operation rate) |
| | I_{OHAV2} | — | -4 | mA | Except P33, P34, and P37 Average value (operating current × operation rate) |
| “H” level total average output current | ΣI_{OHAV} | — | -10 | mA | Average value (operating current × operation rate) |
| “H” level total maximum output current | ΣI_{OH} | — | -30 | mA | |
| Power consumption | P_D | — | 200 | mW | |
| Operating temperature | T_a | -40 | +85 | °C | |
| Storage temperature | T_{stg} | -55 | +150 | °C | |

WARNING: Semiconductor devices can be permanently damaged by application of stress (voltage, current, temperature, etc.) in excess of absolute maximum ratings. Do not exceed these ratings.

MB89190/190A Series

2. Recommended Operating Conditions

(V_{SS} = 0.0 V)

| Parameter | Symbol | Value | | Unit | Remarks |
|---------------------------------------|-----------------|-------|-----------------|------|---|
| | | Min. | Max. | | |
| Power supply voltage | V _{CC} | 2.2* | 6.0* | V | Normal operation assurance range* MB89191/191A/193/193A/195/195A |
| | | 2.7* | 6.0* | V | Normal operation assurance range* MB89P195/P195A/PV190/PV190A |
| | | 1.5 | 6.0 | V | Retains the RAM state in the stop mode |
| A/D converter reference input voltage | AVR | 0.0 | V _{CC} | V | |
| Operating temperature | T _A | -40 | +85 | °C | |

* : These values vary with the operation frequency and the assured analog operation range. See Figure 1 and “ 5. A/D Converter Electrical Characteristics.”

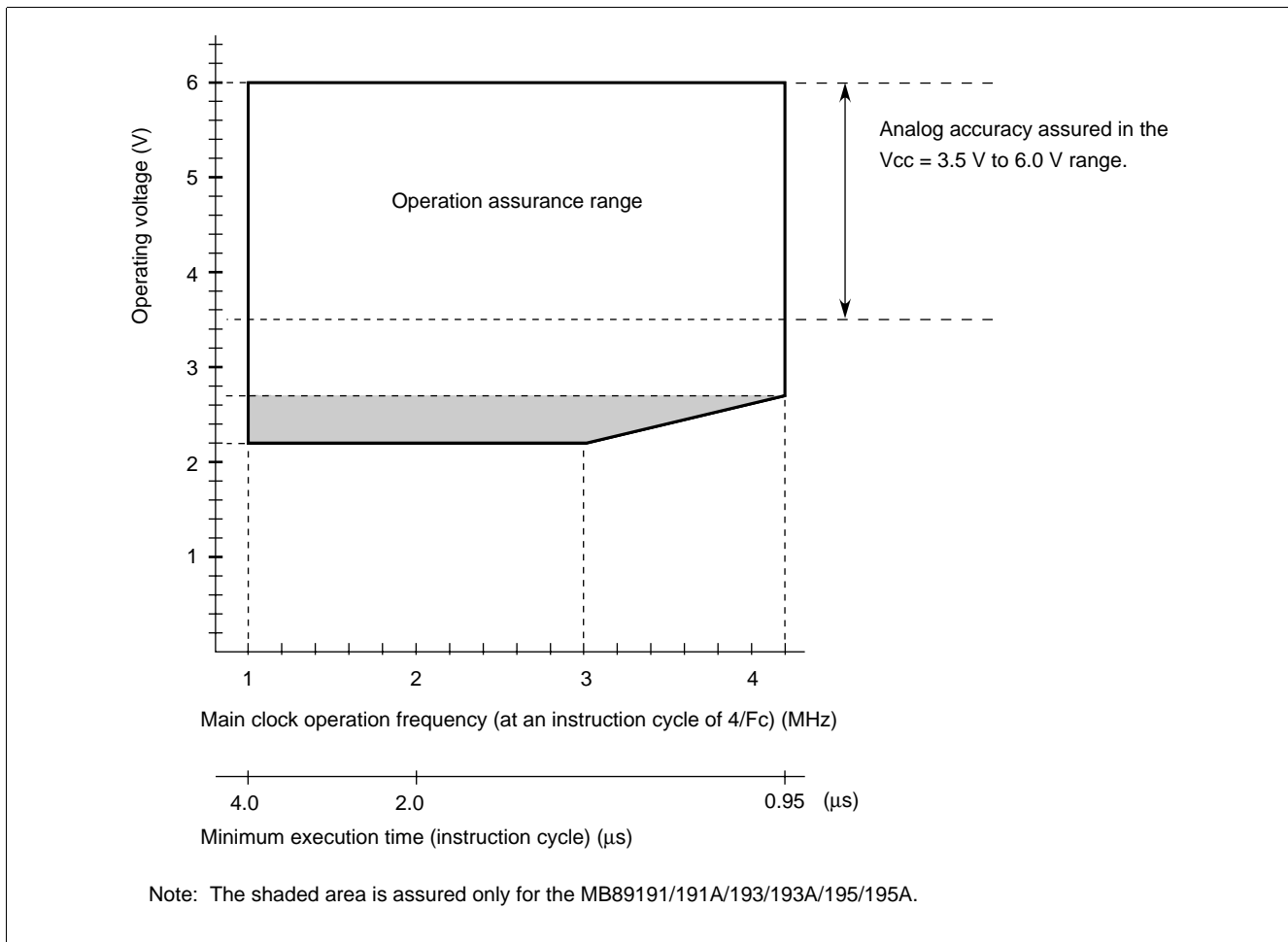


Figure 1 Operating Voltage vs. Main Clock Operating Frequency

Figure 1 indicates the operating frequency of the external oscillator at an instruction cycle of 4/F_C.

MB89190/190A Series

WARNING: Recommended operating conditions are normal operating ranges for the semiconductor device. All the device's electrical characteristics are warranted when operated within these ranges.

Always use semiconductor devices within the recommended operating conditions. Operation outside these ranges may adversely affect reliability and could result in device failure.

No warranty is made with respect to uses, operating conditions, or combinations not represented on the data sheet. Users considering application outside the listed conditions are advised to contact their FUJITSU representative beforehand.

3. DC Characteristics

($V_{CC} = +5.0\text{ V}$, $V_{SS} = 0.0\text{ V}$, $T_A = -40^\circ\text{C}$ to $+85^\circ\text{C}$)

| Parameter | Symbol | Pin | Condition | Value | | | Unit | Remarks |
|---|-----------|--|-------------------------------|----------------|------|----------------|---------------|--------------------------|
| | | | | Min. | Typ. | Max. | | |
| “H” level input voltage | V_{IH} | P00 to P07, P30 to P37, TEST | — | $0.7 V_{CC}$ | — | $V_{CC} + 0.3$ | V | |
| | V_{IHS} | \overline{RST} , INT10 to INT12, EC, SCK, SI, INT20 to INT27 | — | $0.8 V_{CC}$ | — | $V_{CC} + 0.3$ | V | |
| “L” level input voltage | V_{IL} | P00 to P03, P33 to P36, TEST | — | $V_{SS} - 0.3$ | — | $0.3 V_{CC}$ | V | |
| | V_{ILS} | \overline{RST} , INT10 to INT12, EC, SCK, SI, INT 20 to INT27 | — | $V_{SS} - 0.3$ | — | $0.2 V_{CC}$ | V | |
| Open-drain output pin applied voltage | V_D | P40 to P44 | — | $V_{SS} - 0.3$ | — | $V_{SS} + 0.3$ | V | |
| “H” level output voltage | V_{OH1} | P00 to P07, P30 to P32, P35, P36 | $I_{OH} = -2.0\text{ mA}$ | 2.4 | — | — | V | |
| | V_{OH2} | P33, P34 | $I_{OH} = -15\text{ mA}$ | 2.4 | — | — | V | |
| | V_{OH3} | P37 | $I_{OH} = -7.0\text{ mA}$ | 2.4 | — | — | V | |
| “L” level output voltage | V_{OL1} | P00 to P07, P40 to P45, P30 to P32, P35 to P37 | $I_{OL} = 1.8\text{ mA}$ | — | — | 0.4 | V | Except MB89191AH/193AH |
| | | P00 to P07, P35 to P37 | | | | | | MB89191AH/193AH |
| | V_{OL2} | \overline{RST} | $I_{OL} = 4.0\text{ mA}$ | — | — | 0.4 | V | |
| | V_{OL3} | P33, P34 | $I_{OL} = 12\text{ mA}$ | — | — | 0.4 | V | Except MB89191AH/193AH |
| P30 to P34, P40 to P43 | | MB89191AH/193AH | | | | | | |
| Input leakage current (Hi-z output leakage current) | I_{LI1} | P00 to P07, P30 to P37, TEST | $0.0\text{ V} < V_I < V_{CC}$ | — | — | ± 5 | μA | Without pull-up resistor |
| Open-drain output leakage current (Off state) | I_{LD1} | P40 to P45 | $0.0\text{ V} < V_I < V_{CC}$ | — | — | ± 1 | μA | Without pull-up resistor |

(Continued)

MB89190/190A Series

(Continued)

(V_{CC} = 5.0 V, AV_{SS} = V_{SS} = 0.0 V, T_A = -40°C to +85°C)

| Parameter | Symbol | Pin | Condition | Value | | | Unit | Remarks |
|-----------------------|-------------------|---|--|-------|------|-----------|------|---|
| | | | | Min. | Typ. | Max. | | |
| Pull-up resistance | R _{PULL} | P00 to P07, P30 to P37, P40 to P45, RST | V _I = 0.0 V | 25 | 50 | 100 | kΩ | |
| Power supply voltage* | I _{CC} | V _{CC} | F _C = 4.2 MHz | — | 5 | 10 | mA | MB89191/ 191A/193/ 193A/195/ 195A/PV190/ PV190A |
| | | | | — | 7 | 12 | mA | MB89P195/ P195A |
| | I _{CCS} | | F _C = 4.2 MHz | — | 3 | 7 | mA | Sleep mode |
| | I _{CCH} | | T _A = +25 °C | — | — | 1 | μA | Stop mode |
| | I _{CCA} | | F _C = 4.2 MHz During A/D converter operation | — | 6 | 13 | mA | MB89191A/ 193A/195A/ PV190A |
| — | | 8 | | 15 | mA | MB89P195A | | |
| Input capacitance | C _{IN} | Except AVR, AV _{SS} , V _{CC} , and V _{SS} | f = 1 MHz | — | 10 | — | pF | |

* : For the MB89PV190/PV190A, the current consumption of a connected EPROM and ICE is not included.
The measurement condition of the power supply current are set as V_{CC} = 5.0 V with an external clock.

MB89190/190A Series

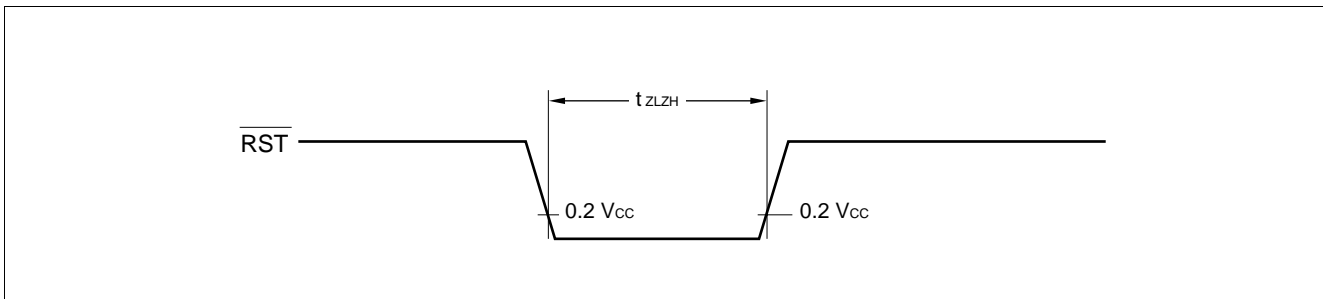
4. AC Characteristics

(1) Reset Timing

($V_{CC} = +5.0\text{ V} \pm 10\%$, $A_{V_{SS}} = V_{SS} = 0.0\text{ V}$, $T_A = -40^\circ\text{C}$ to $+85^\circ\text{C}$)

| Parameter | Symbol | Condition | Value | | Unit | Remarks |
|---|-------------------|-----------|---------------------|------|------|---------|
| | | | Min. | Max. | | |
| $\overline{\text{RST}}$ "L" pulse width | t_{ZLZH} | — | $16 t_{\text{CYL}}$ | — | ns | |

Note: t_{CYL} is the oscillation period ($1/F_c$) input to the X0 pin.

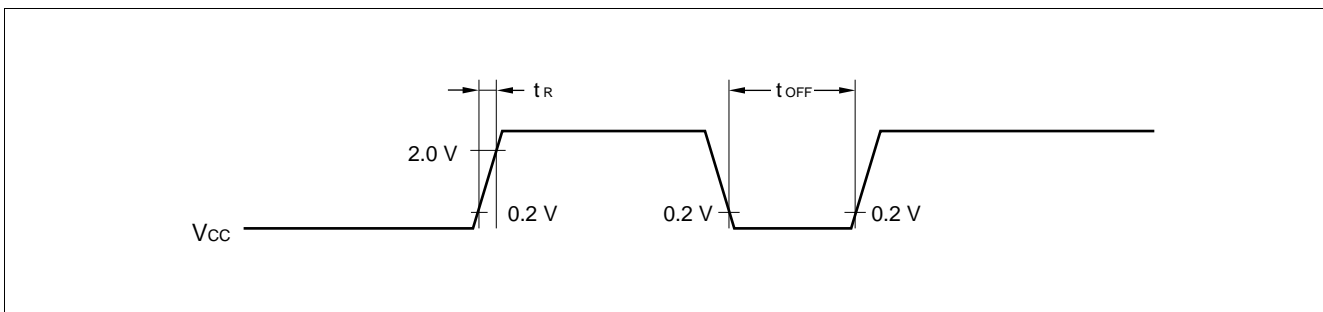


(2) Power-on Reset

($A_{V_{SS}} = V_{SS} = 0.0\text{ V}$, $T_A = -40^\circ\text{C}$ to $+85^\circ\text{C}$)

| Parameter | Symbol | Condition | Value | | Unit | Remarks |
|---------------------------|------------------|-----------|-------|------|------|----------------------------|
| | | | Min. | Max. | | |
| Power supply rising time | t_{R} | — | — | 50 | ms | |
| Power supply cut-off time | t_{OFF} | | 1 | — | ms | Due to repeated operations |

Note: Make sure that power supply rises within the oscillation stabilization time selected.
If power supply voltage needs to be varied in the course of operation, a smooth voltage rise is recommended.



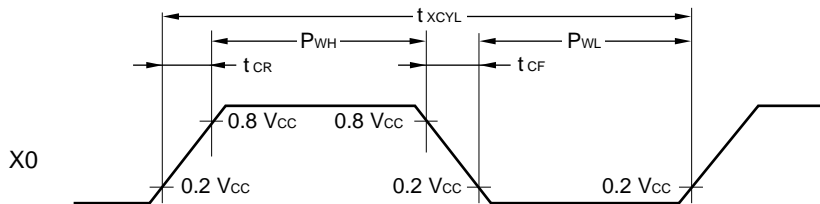
MB89190/190A Series

(3) Clock Timings

($A_{V_{SS}} = V_{SS} = 0.0 \text{ V}$, $T_A = -40^\circ\text{C}$ to $+85^\circ\text{C}$)

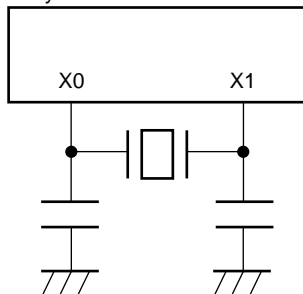
| Parameter | Symbol | Pin | Condition | Value | | Unit | Remarks |
|---------------------------------------|----------------------|--------|-----------|-------|------|------|----------------|
| | | | | Min. | Max. | | |
| Clock frequency | F_C | X0, X1 | — | 1 | 4.2 | MHz | |
| Clock cycle time | t_{XCYL} | X0, X1 | — | 238 | 1000 | ns | |
| Input clock pulse width | P_{WH} P_{WL} | X0 | — | 20 | — | ns | External clock |
| Input clock pulse rising/falling time | t_{CR} t_{CF} | X0 | — | — | 10 | ns | External clock |

X0, X1 Timings and Conditions of Applied Voltage

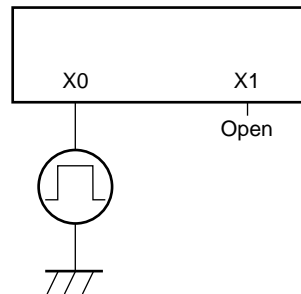


Clock Conditions

When a crystal or ceramic resonator is used



When an external clock is used



(4) Instruction Cycles

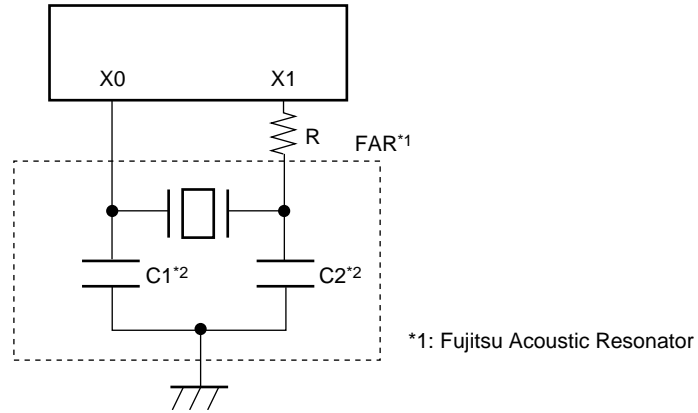
($A_{V_{SS}} = V_{SS} = 0.0 \text{ V}$, $T_A = -40^\circ\text{C}$ to $+85^\circ\text{C}$)

| Parameter | Symbol | Value (typical) | Unit | Remarks |
|--|------------|-----------------|---------------|---|
| Instruction cycle (minimum execution time) | t_{inst} | $4/F_C$ | μs | $t_{inst} = 0.95 \mu\text{s}$ when operating at $F_C = 4.2 \text{ MHz}$ |

MB89190/190A Series

(5) Recommended Resonator Manufacturers

• Sample Application of Piezoelectric Resonator (FAR Series)

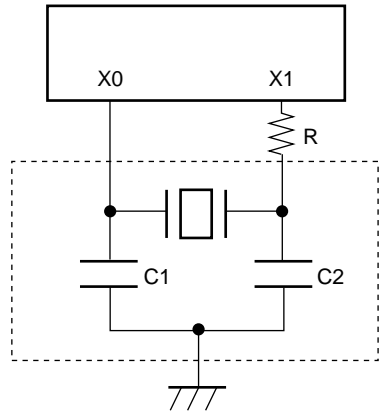


| FAR part number (built-in capacitor type) | Frequency (MHz) | Damping resistor | Initial deviation of FAR frequency ($T_A = +25^\circ\text{C}$) | Temperature characteristics of FAR frequency ($T_A = -20^\circ\text{C}$ to $+60^\circ\text{C}$) | Loading capacitors*2 |
|--|--------------------|---------------------|---|---|-------------------------|
| FAR-C4SA-04000-□01M | 4.00 | 200 Ω | $\pm 0.5\%$ | $\pm 0.5\%$ | Built-in |

Inquiry: FUJITSU LIMITED

MB89190/190A Series

• Sample Application of Ceramic Resonator



• Mask ROM products

| Resonator manufacturer* | Resonator | Frequency (MHz) | C1 (pF) | C2 (pF) | R |
|-------------------------|----------------|-----------------|----------|----------|--------------|
| Murata Mfg. Co., Ltd. | CSA2.00MG040 | 2.00 | 100 | 100 | Not required |
| | CST2.00MG040 | | Built-in | Built-in | Not required |
| | CSA4.00MG | 4.00 | 30 | 30 | Not required |
| | CST4.00MGW | | Built-in | Built-in | Not required |
| | CSTCS4.00MG0C5 | | Built-in | Built-in | Not required |
| TDK. Co., Ltd. | CCR4.0MC3 | 4.00 | Built-in | Built-in | Not required |
| | FCR4.0MC5 | | Built-in | Built-in | Not required |

• One-time products

| Resonator manufacturer* | Resonator | Frequency (MHz) | C1 (pF) | C2 (pF) | R |
|-------------------------|----------------|-----------------|----------|----------|--------------|
| Murata Mfg. Co., Ltd. | CSA3.20MGCA | 3.20 | 30 | 30 | 1 k Ω |
| | CST3.20MGA | | Built-in | Built-in | 1 k Ω |
| | CSA3.20MGA040 | 3.20 | 100 | 100 | Not required |
| | CST3.20MGWA040 | | Built-in | Built-in | Not required |
| | CSA3.58MGCA | 3.58 | 30 | 30 | Not required |
| | CST3.58MGWHA | | Built-in | Built-in | Not required |

Inquiry: Murata Mfg. Co., Ltd

- Murata Electronics North America. Inc.: TEL 1-404-436-1300
- Murata Europe Mngement GmbH: TEL 49-911-66870
- Murata Electronics Singapore (Pte.) Ltd.: TEL 65-758-4233

TDK Corporation

- TDK Corporation of America
Chicago Regional Office: TEL 1-708-803-6100
- TDK Electronics Europe GmbH
Components Division: TEL 49-2102-9450
- TDK Singapore (PTE) Ltd.: TEL 65-273-5022
- TDK Hongkong Co., Ltd.: TEL 852-736-2238
- Korea Branch, TDK Corporation: TEL 82-2-554-6633

MB89190/190A Series

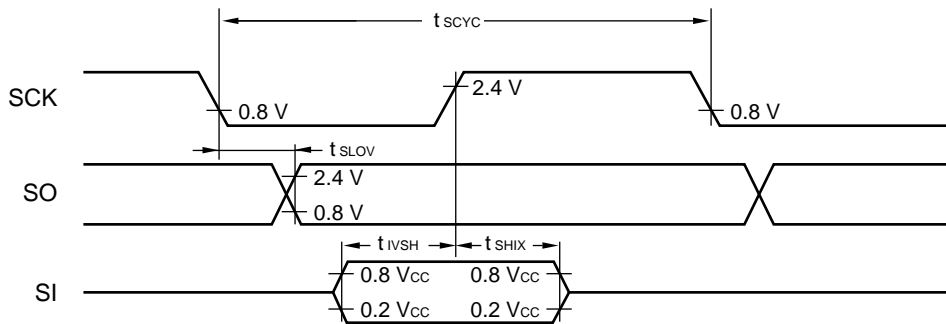
(6) Serial I/O Timings

($V_{CC} = 5.0 V \pm 10\%$, $AV_{SS} = V_{SS} = 0.0 V$, $T_A = -40^\circ C$ to $+85^\circ C$)

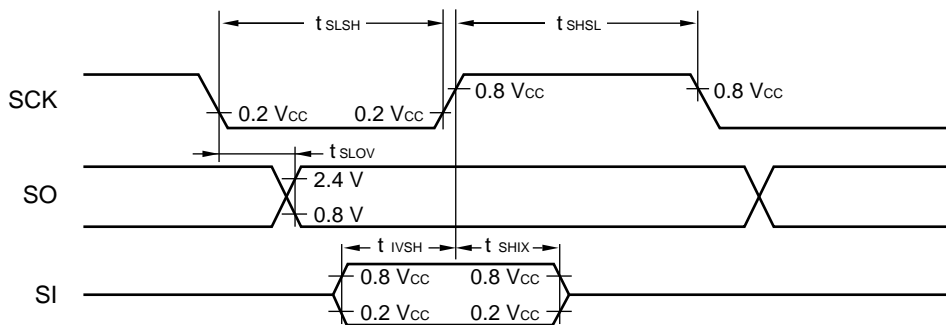
| Parameter | Symbol | Pin | Condition | Value | | Unit | Remarks |
|---|------------|---------|--------------------------|------------------|------|---------|---------|
| | | | | Min. | Max. | | |
| Serial clock cycle time | t_{SCYC} | SCK | Internal clock operation | $2 t_{inst}^*$ | — | μs | |
| SCK $\downarrow \rightarrow$ SO time | t_{SLOV} | SCK, SO | | -200 | 200 | ns | |
| Valid SI \rightarrow SCK \uparrow | t_{IVSH} | SI, SCK | | $1/2 t_{inst}^*$ | — | μs | |
| SCK $\uparrow \rightarrow$ valid SI hold time | t_{SHIX} | SCK, SI | | $1/2 t_{inst}^*$ | — | μs | |
| Serial clock "H" pulse width | t_{SHSL} | SCK | External clock operation | $1 t_{inst}^*$ | — | μs | |
| Serial clock "L" pulse width | t_{SLSH} | | | $1 t_{inst}^*$ | — | μs | |
| SCK $\downarrow \rightarrow$ SO time | t_{SLOV} | SCK, SO | | 0 | 200 | ns | |
| Valid SI \rightarrow SCK \uparrow | t_{IVSH} | SI, SCK | | $1/2 t_{inst}^*$ | — | μs | |
| SCK $\uparrow \rightarrow$ valid SI hold time | t_{SHIX} | SCK, SI | | $1/2 t_{inst}^*$ | — | μs | |

* : For information on t_{inst} , see "(4) Instruction Cycles."

Internal Shift Clock Mode



External Shift Clock Mode



MB89190/190A Series

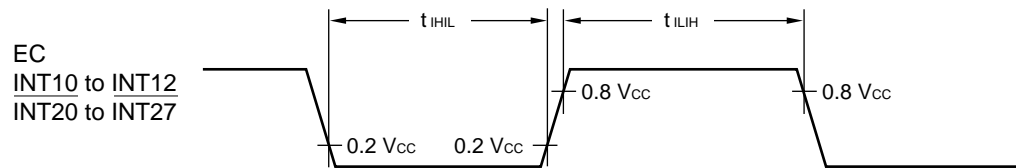
(7) Peripheral Input Timings

($V_{CC} = 5.0 V \pm 10\%$, $AV_{SS} = V_{SS} = 0.0 V$, $T_A = -40^\circ C$ to $+85^\circ C$)

| Parameter | Symbol | Pin | Value | | Unit | Remarks |
|------------------------------------|-------------|---------------------------------------|----------------|------|---------|---------|
| | | | Min. | Max. | | |
| Peripheral input "H" pulse width 1 | t_{ILIH1} | EC, INT10 to INT12, INT20 to INT27 | $2 t_{inst}^*$ | — | μs | |
| Peripheral input "L" pulse width 1 | t_{IHIL1} | | $2 t_{inst}^*$ | — | μs | |

* : For information on t_{inst} , see "(4) Instruction Cycles."

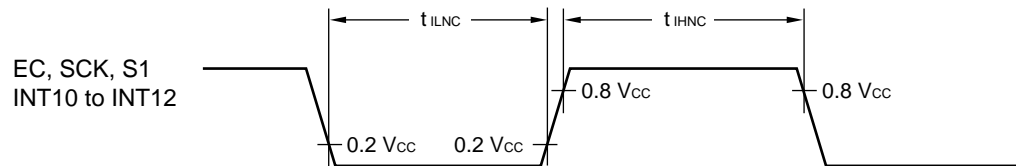
Peripheral Input Timing Diagram



($V_{CC} = 5.0 V \pm 10\%$, $AV_{SS} = V_{SS} = 0.0 V$, $T_A = -40^\circ C$ to $+85^\circ C$)

| Parameter | Symbol | Pin | Value | | | Unit | Remarks |
|--|------------|-------------------------------|-------|------|------|------|---------|
| | | | Min. | Typ. | Max. | | |
| Peripheral input "H" noise limit width | t_{IHNC} | EC, SI, SCK INT10 to INT12 | 7 | 15 | 23 | ns | |
| Peripheral input "L" noise limit width | t_{ILNC} | EC, SI, SCK INT10 to INT12 | 7 | 15 | 23 | ns | |

Peripheral Input Timing Diagram



MB89190/190A Series

5. A/D Converter Electrical Characteristics (MB89190A Series Only)

($AV_{CC} = V_{CC} = 3.5 \text{ V to } 6.0 \text{ V}$, $AV_{SS} = V_{SS} = 0.0 \text{ V}$, $T_A = -40^\circ\text{C to } +85^\circ\text{C}$)

| Parameter | Symbol | Pin | Condition | Value | | | Unit | Remarks |
|----------------------------------|-----------|------------|---|--------------------------|--------------------------|--------------------------|------|---------|
| | | | | Min. | Typ. | Max. | | |
| Resolution | — | — | — | — | — | 8 | bit | |
| Total error | | | — | — | ±1.5 | LSB | | |
| Linearity error | | | — | — | ±1.0 | LSB | | |
| Differential linearity error | | | — | — | ±0.9 | LSB | | |
| Zero transition voltage | V_{OT} | — | $AVR = AV_{CC}$ | AV_{SS} -1.0 LSB | AV_{SS} +0.5 LSB | AV_{SS} +2.0 LSB | mV | |
| Full-scale transition voltage | V_{FST} | | | AVR -3.0 LSB | AVR -1.5 LSB | AVR | mV | |
| Inter channel disparity | — | | | — | — | 0.5 | LSB | |
| A/D mode conversion time | — | — | — | — | $44 t_{inst}^*$ | — | μs | |
| Sense mode conversion time | — | | | — | $12 t_{inst}^*$ | — | μs | |
| Analog port input current | I_{AIN} | AN0 to AN7 | — | — | — | 10 | μA | |
| Analog input voltage | — | | | 0 | — | AVR | V | |
| Reference voltage | — | AVR | $AVR = V_{CC} = 5.0 \text{ V}$ when A/D conversion is operating | 0 | — | V_{CC} | V | |
| Reference voltage supply current | I_R | | | — | 100 | 300 | μA | |
| | I_{RH} | | | — | — | 1 | μA | |

* : For information on t_{inst} , see “(4) Instruction Cycles” in “4. AC Characteristics.”

6. A/D Converter Glossary

- Resolution

Analog changes that are identifiable by the A/D converter.

When the number of bits is 8, analog voltage can be divided into $2^8=256$.

Linearity error (unit: LSB)

The deviation of the straight line connecting the zero transition point (“0000 0000” ↔ “0000 0001”) with the full-scale transition point (“1111 1110” ↔ “1111 1111”) from actual conversion characteristics.

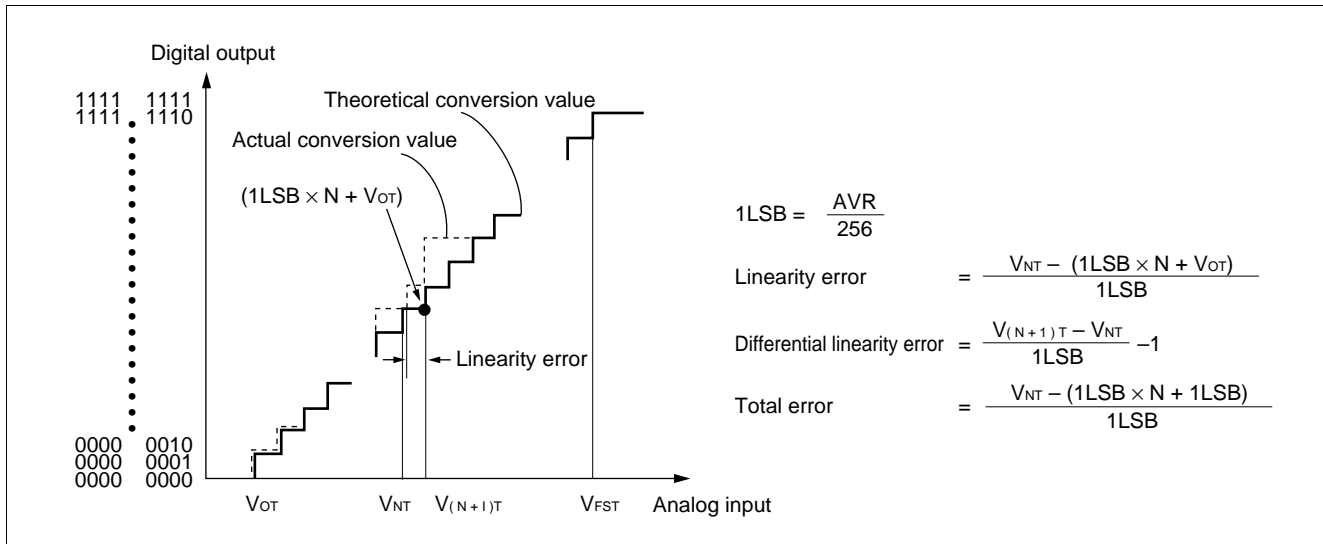
Differential linearity error (unit: LSB)

The deviation of input voltage needed change the output code by 1 LSB from the theoretical value.

- Total error (unit: LSB)

The difference between theoretical and actual conversion values.

MB89190/190A Series



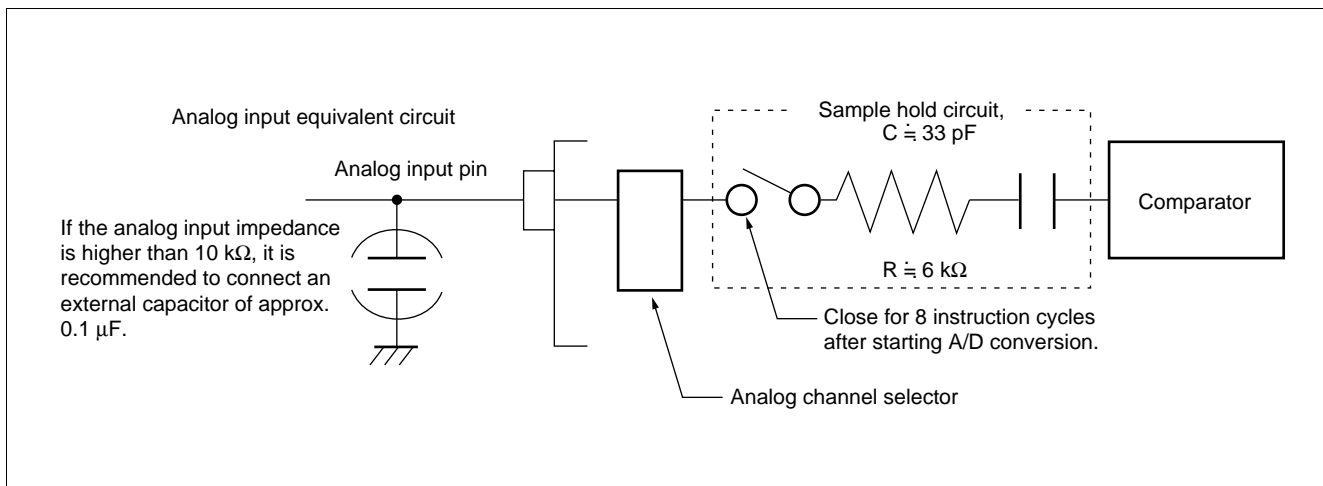
7. Notes on Using A/D Converter

• Input impedance of analog input pins

The A/D converter used for the MB89190A series contains a sample hold circuit as illustrated below to fetch analog input voltage into the sample hold capacitor for eight instruction cycles after starting A/D conversion.

For this reason, if the output impedance of the external circuit for the analog input is high, analog input voltage might not stabilize within the analog input sampling period. Therefore, it is recommended to keep the output impedance of the external circuit low (below 10 kΩ).

Note that if the impedance cannot be kept low, it is recommended to connect an external capacitor of approx. 0.1 μF for the analog input pin.



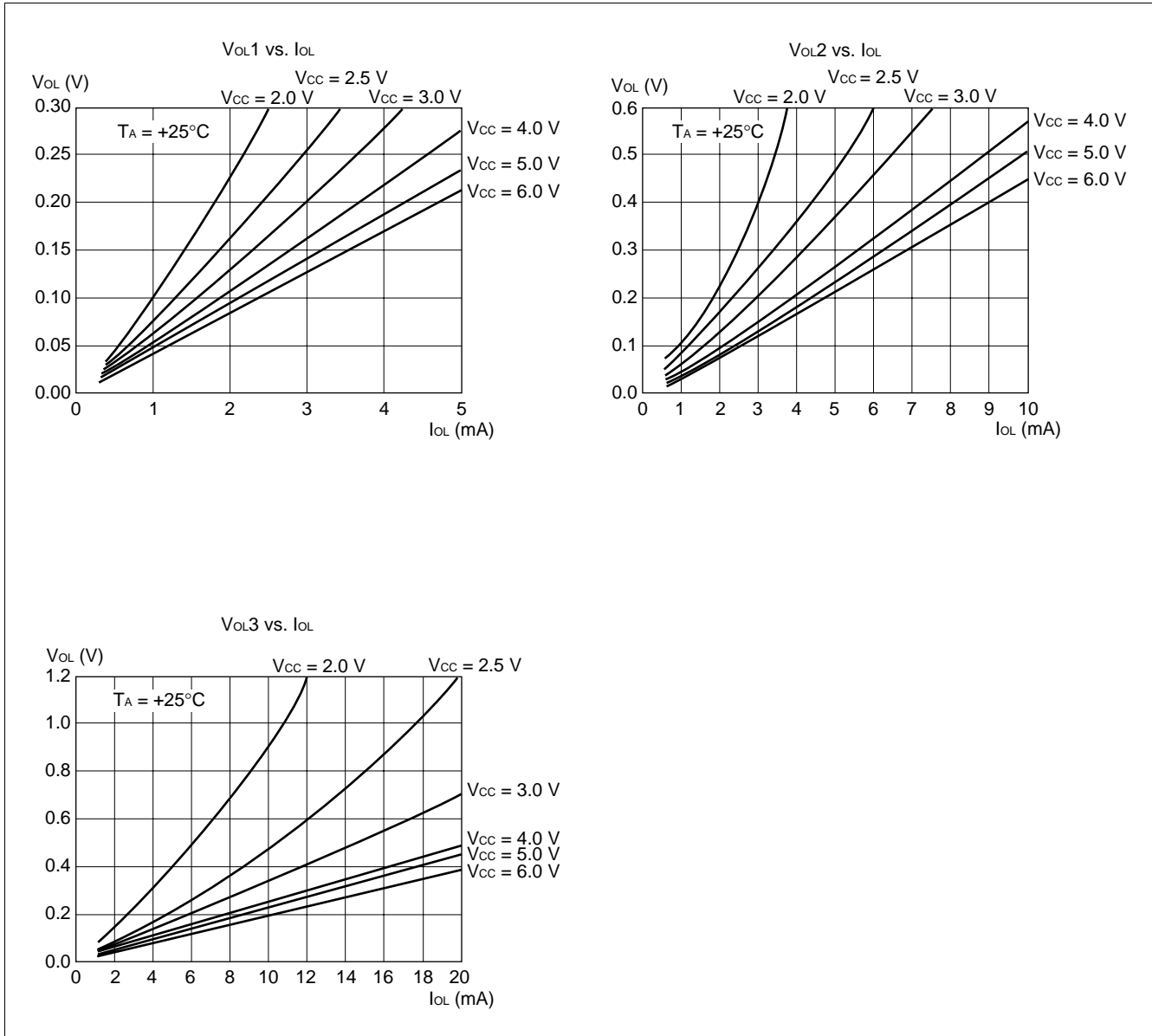
• Error

The smaller the $|\text{AVR} - \text{AV}_{\text{SS}}|$, the greater the error would become relatively.

MB89190/190A Series

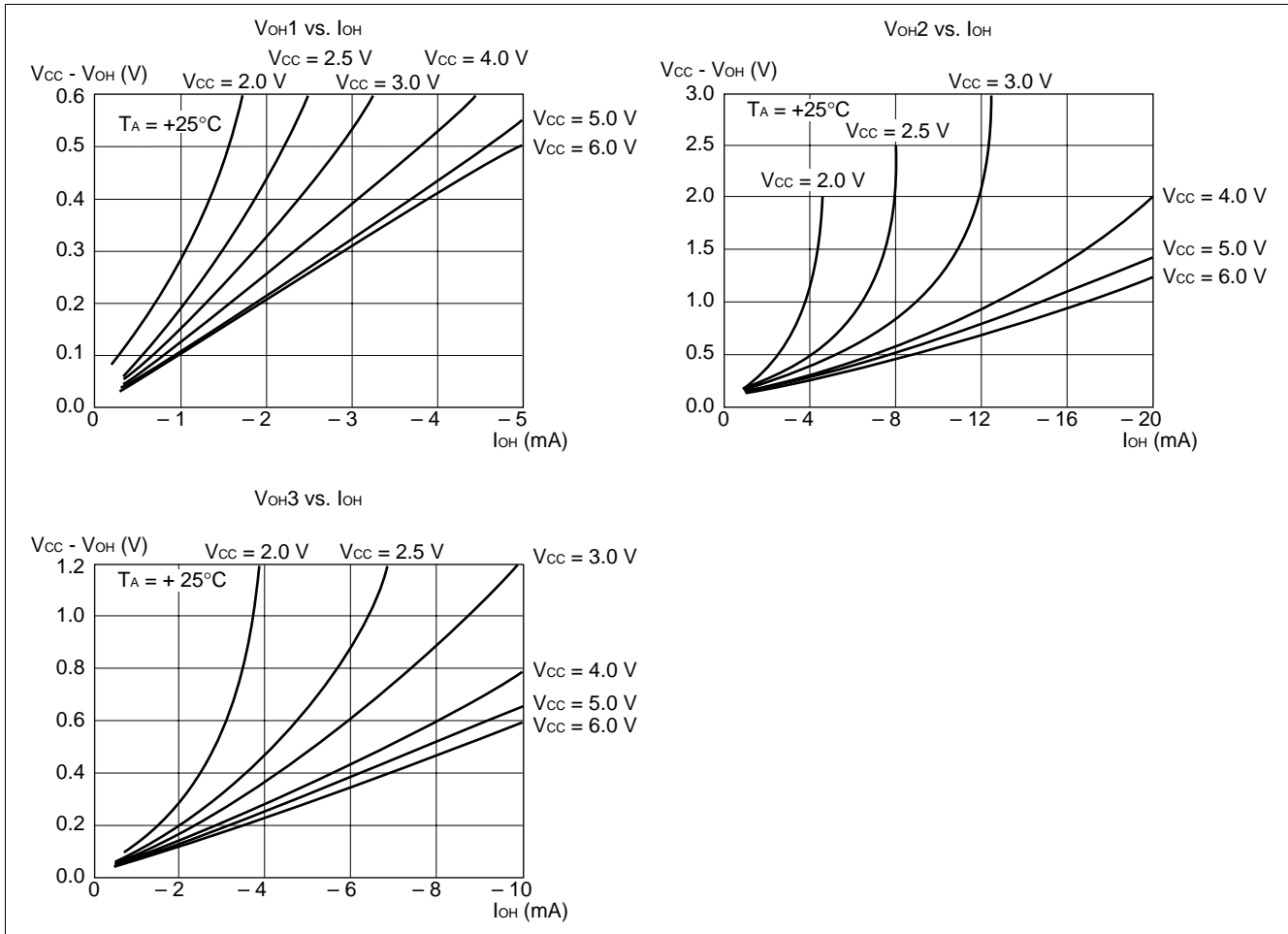
EXAMPLE CHARACTERISTICS

(1) "L" Level Output Voltage

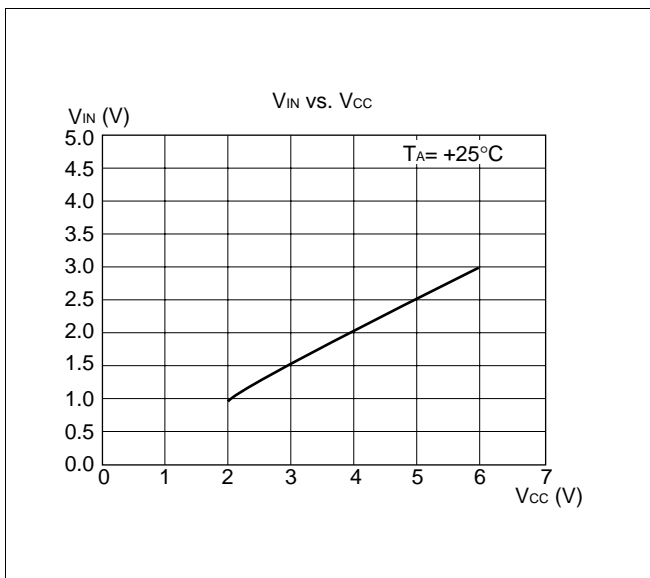


MB89190/190A Series

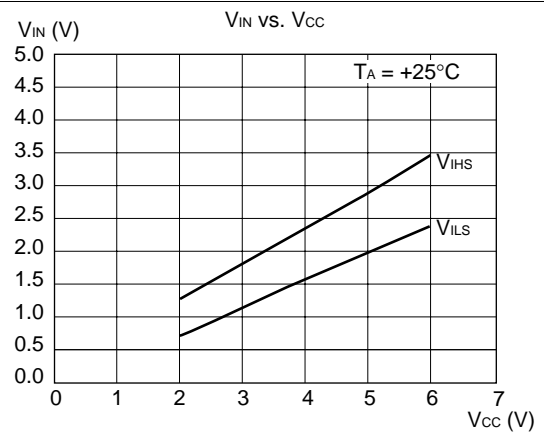
(2) "H" Level Output Voltage



(3) "H" Level Input Voltage/"L" Level Input Voltage (CMOS Input)



(4) "H" Level Input Voltage/"L" Level Input Voltage (Hysteresis Input)

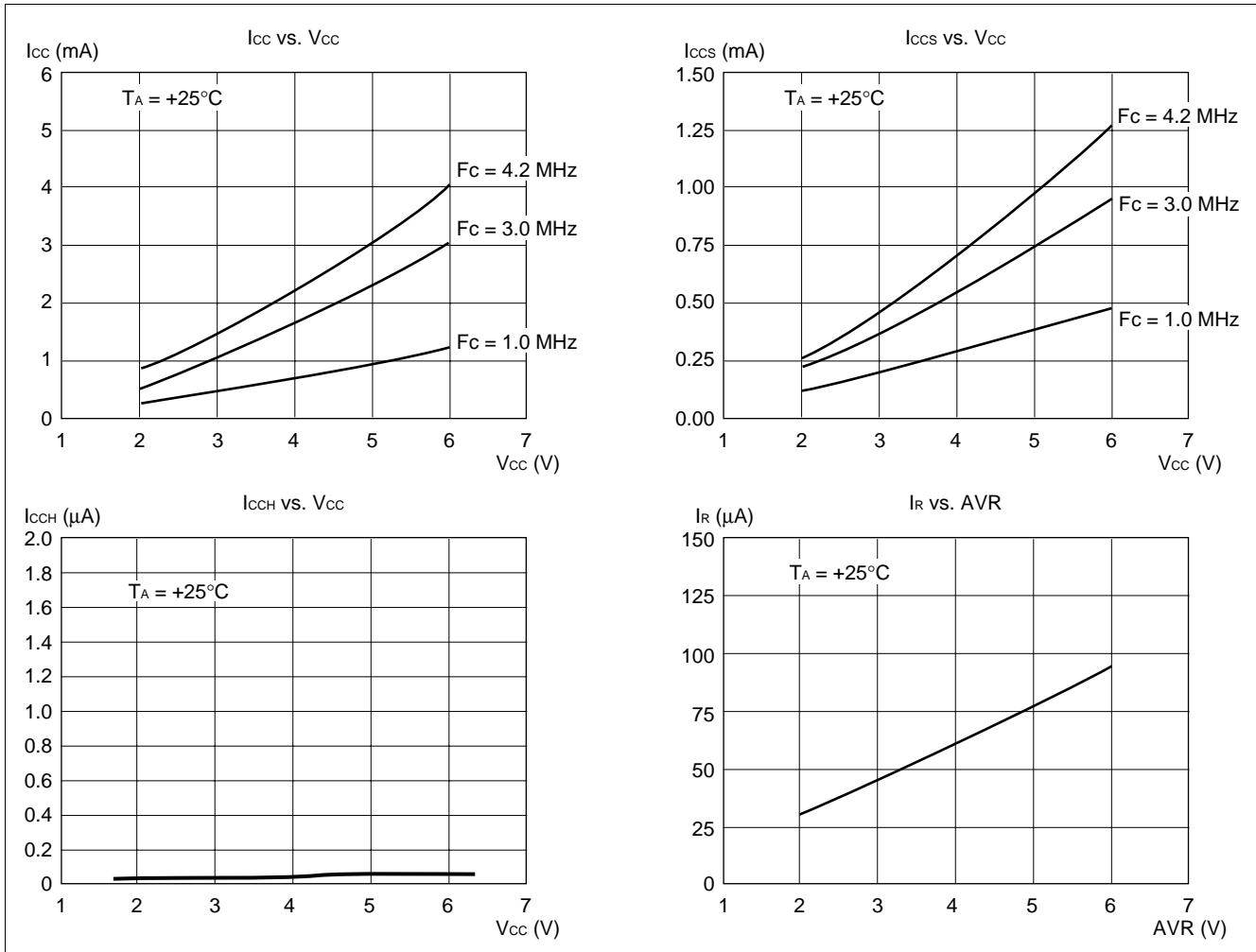


V_{IHS} : Threshold when input voltage in hysteresis characteristics is set to "H" level

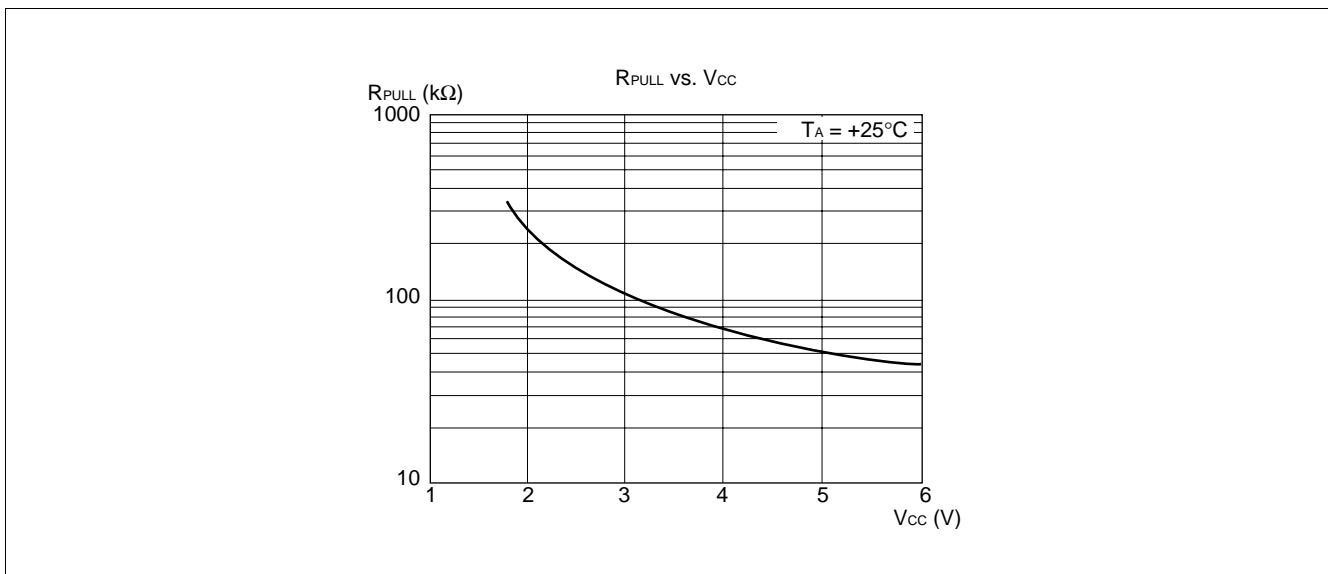
V_{ILS} : Threshold when input voltage in hysteresis characteristics is set to "L" level

MB89190/190A Series

(5) Power Supply Current (External Clock)



(6) Pull-up Resistance



MB89190/190A Series

■ INSTRUCTIONS (136 INSTRUCTIONS)

Execution instructions can be divided into the following four groups:

- Transfer
- Arithmetic operation
- Branch
- Others

Table 1 lists symbols used for notation of instructions.

Table 1 Instruction Symbols

| Symbol | Meaning |
|--------|---|
| dir | Direct address (8 bits) |
| off | Offset (8 bits) |
| ext | Extended address (16 bits) |
| #vct | Vector table number (3 bits) |
| #d8 | Immediate data (8 bits) |
| #d16 | Immediate data (16 bits) |
| dir: b | Bit direct address (8:3 bits) |
| rel | Branch relative address (8 bits) |
| @ | Register indirect (Example: @A, @IX, @EP) |
| A | Accumulator A (Whether its length is 8 or 16 bits is determined by the instruction in use.) |
| AH | Upper 8 bits of accumulator A (8 bits) |
| AL | Lower 8 bits of accumulator A (8 bits) |
| T | Temporary accumulator T (Whether its length is 8 or 16 bits is determined by the instruction in use.) |
| TH | Upper 8 bits of temporary accumulator T (8 bits) |
| TL | Lower 8 bits of temporary accumulator T (8 bits) |
| IX | Index register IX (16 bits) |
| EP | Extra pointer EP (16 bits) |
| PC | Program counter PC (16 bits) |
| SP | Stack pointer SP (16 bits) |
| PS | Program status PS (16 bits) |
| dr | Accumulator A or index register IX (16 bits) |
| CCR | Condition code register CCR (8 bits) |
| RP | Register bank pointer RP (5 bits) |
| Ri | General-purpose register Ri (8 bits, i = 0 to 7) |
| × | Indicates that the very × is the immediate data. (Whether its length is 8 or 16 bits is determined by the instruction in use.) |
| (×) | Indicates that the contents of × is the target of accessing. (Whether its length is 8 or 16 bits is determined by the instruction in use.) |
| ((×)) | The address indicated by the contents of × is the target of accessing. (Whether its length is 8 or 16 bits is determined by the instruction in use.) |

MB89190/190A Series

Columns indicate the following:

| | |
|-------------|--|
| Mnemonic: | Assembler notation of an instruction |
| ~: | The number of instructions |
| #: | The number of bytes |
| Operation: | Operation of an instruction |
| TL, TH, AH: | <p>A content change when each of the TL, TH, and AH instructions is executed. Symbols in the column indicate the following:</p> <ul style="list-style-type: none">• “-” indicates no change.• dH is the 8 upper bits of operation description data.• AL and AH must become the contents of AL and AH prior to the instruction executed.• 00 becomes 00. |
| N, Z, V, C: | An instruction of which the corresponding flag will change. If + is written in this column, the relevant instruction will change its corresponding flag. |
| OP code: | <p>Code of an instruction. If an instruction is more than one code, it is written according to the following rule:</p> <p>Example: 48 to 4F ← This indicates 48, 49, ... 4F.</p> |

MB89190/190A Series

Table 2 Transfer Instructions (48 instructions)

| Mnemonic | ~ | # | Operation | TL | TH | AH | NZVC | OP code |
|------------------|---|---|---|----|----|----|-------|----------|
| MOV dir,A | 3 | 2 | (dir) ← (A) | - | - | - | ----- | 45 |
| MOV @IX +off,A | 4 | 2 | ((IX) +off) ← (A) | - | - | - | ----- | 46 |
| MOV ext,A | 4 | 3 | (ext) ← (A) | - | - | - | ----- | 61 |
| MOV @EP,A | 3 | 1 | ((EP)) ← (A) | - | - | - | ----- | 47 |
| MOV Ri,A | 3 | 1 | (Ri) ← (A) | - | - | - | ----- | 48 to 4F |
| MOV A,#d8 | 2 | 2 | (A) ← d8 | AL | - | - | ++-- | 04 |
| MOV A,dir | 3 | 2 | (A) ← (dir) | AL | - | - | ++-- | 05 |
| MOV A,@IX +off | 4 | 2 | (A) ← ((IX) +off) | AL | - | - | ++-- | 06 |
| MOV A,ext | 4 | 3 | (A) ← (ext) | AL | - | - | ++-- | 60 |
| MOV A,@A | 3 | 1 | (A) ← ((A)) | AL | - | - | ++-- | 92 |
| MOV A,@EP | 3 | 1 | (A) ← ((EP)) | AL | - | - | ++-- | 07 |
| MOV A,Ri | 3 | 1 | (A) ← (Ri) | AL | - | - | ++-- | 08 to 0F |
| MOV dir,#d8 | 4 | 3 | (dir) ← d8 | - | - | - | ----- | 85 |
| MOV @IX +off,#d8 | 5 | 3 | ((IX) +off) ← d8 | - | - | - | ----- | 86 |
| MOV @EP,#d8 | 4 | 2 | ((EP)) ← d8 | - | - | - | ----- | 87 |
| MOV Ri,#d8 | 4 | 2 | (Ri) ← d8 | - | - | - | ----- | 88 to 8F |
| MOVW dir,A | 4 | 2 | (dir) ← (AH),(dir + 1) ← (AL) | - | - | - | ----- | D5 |
| MOVW @IX +off,A | 5 | 2 | ((IX) +off) ← (AH), ((IX) +off + 1) ← (AL) | - | - | - | ----- | D6 |
| MOVW ext,A | 5 | 3 | (ext) ← (AH), (ext + 1) ← (AL) | - | - | - | ----- | D4 |
| MOVW @EP,A | 4 | 1 | ((EP)) ← (AH),(EP + 1) ← (AL) | - | - | - | ----- | D7 |
| MOVW EP,A | 2 | 1 | (EP) ← (A) | - | - | - | ----- | E3 |
| MOVW A,#d16 | 3 | 3 | (A) ← d16 | AL | AH | dH | ++-- | E4 |
| MOVW A,dir | 4 | 2 | (AH) ← (dir), (AL) ← (dir + 1) | AL | AH | dH | ++-- | C5 |
| MOVW A,@IX +off | 5 | 2 | (AH) ← ((IX) +off), (AL) ← ((IX) +off + 1) | AL | AH | dH | ++-- | C6 |
| MOVW A,ext | 5 | 3 | (AH) ← (ext), (AL) ← (ext + 1) | AL | AH | dH | ++-- | C4 |
| MOVW A,@A | 4 | 1 | (AH) ← ((A)), (AL) ← ((A) + 1) | AL | AH | dH | ++-- | 93 |
| MOVW A,@EP | 4 | 1 | (AH) ← ((EP)), (AL) ← ((EP) + 1) | AL | AH | dH | ++-- | C7 |
| MOVW A,EP | 2 | 1 | (A) ← (EP) | - | - | dH | ----- | F3 |
| MOVW EP,#d16 | 3 | 3 | (EP) ← d16 | - | - | - | ----- | E7 |
| MOVW IX,A | 2 | 1 | (IX) ← (A) | - | - | - | ----- | E2 |
| MOVW A,IX | 2 | 1 | (A) ← (IX) | - | - | dH | ----- | F2 |
| MOVW SP,A | 2 | 1 | (SP) ← (A) | - | - | - | ----- | E1 |
| MOVW A,SP | 2 | 1 | (A) ← (SP) | - | - | dH | ----- | F1 |
| MOV @A,T | 3 | 1 | ((A)) ← (T) | - | - | - | ----- | 82 |
| MOVW @A,T | 4 | 1 | ((A)) ← (TH),(A + 1) ← (TL) | - | - | - | ----- | 83 |
| MOVW IX,#d16 | 3 | 3 | (IX) ← d16 | - | - | - | ----- | E6 |
| MOVW A,PS | 2 | 1 | (A) ← (PS) | - | - | dH | ----- | 70 |
| MOVW PS,A | 2 | 1 | (PS) ← (A) | - | - | - | ++++ | 71 |
| MOVW SP,#d16 | 3 | 3 | (SP) ← d16 | - | - | - | ----- | E5 |
| SWAP | 2 | 1 | (AH) ↔ (AL) | - | - | AL | ----- | 10 |
| SETB dir: b | 4 | 2 | (dir): b ← 1 | - | - | - | ----- | A8 to AF |
| CLRB dir: b | 4 | 2 | (dir): b ← 0 | - | - | - | ----- | A0 to A7 |
| XCH A,T | 2 | 1 | (AL) ↔ (TL) | AL | - | - | ----- | 42 |
| XCHW A,T | 3 | 1 | (A) ↔ (T) | AL | AH | dH | ----- | 43 |
| XCHW A,EP | 3 | 1 | (A) ↔ (EP) | - | - | dH | ----- | F7 |
| XCHW A,IX | 3 | 1 | (A) ↔ (IX) | - | - | dH | ----- | F6 |
| XCHW A,SP | 3 | 1 | (A) ↔ (SP) | - | - | dH | ----- | F5 |
| MOVW A,PC | 2 | 1 | (A) ← (PC) | - | - | dH | ----- | F0 |

Notes: • During byte transfer to A, T ← A is restricted to low bytes.

- Operands in more than one operand instruction must be stored in the order in which their mnemonics are written. (Reverse arrangement of F²MC-8 family)

MB89190/190A Series

Table 3 Arithmetic Operation Instructions (62 instructions)

| Mnemonic | ~ | # | Operation | TL | TH | AH | NZVC | OP code |
|-----------------|----|---|--|----|----|----|--------|----------|
| ADDC A,Ri | 3 | 1 | $(A) \leftarrow (A) + (Ri) + C$ | - | - | - | ++++ | 28 to 2F |
| ADDC A,#d8 | 2 | 2 | $(A) \leftarrow (A) + d8 + C$ | - | - | - | ++++ | 24 |
| ADDC A,dir | 3 | 2 | $(A) \leftarrow (A) + (dir) + C$ | - | - | - | ++++ | 25 |
| ADDC A,@IX +off | 4 | 2 | $(A) \leftarrow (A) + ((IX) + off) + C$ | - | - | - | ++++ | 26 |
| ADDC A,@EP | 3 | 1 | $(A) \leftarrow (A) + ((EP)) + C$ | - | - | - | ++++ | 27 |
| ADDCW A | 3 | 1 | $(A) \leftarrow (A) + (T) + C$ | - | - | dH | ++++ | 23 |
| ADDC A | 2 | 1 | $(AL) \leftarrow (AL) + (TL) + C$ | - | - | - | ++++ | 22 |
| SUBC A,Ri | 3 | 1 | $(A) \leftarrow (A) - (Ri) - C$ | - | - | - | ++++ | 38 to 3F |
| SUBC A,#d8 | 2 | 2 | $(A) \leftarrow (A) - d8 - C$ | - | - | - | ++++ | 34 |
| SUBC A,dir | 3 | 2 | $(A) \leftarrow (A) - (dir) - C$ | - | - | - | ++++ | 35 |
| SUBC A,@IX +off | 4 | 2 | $(A) \leftarrow (A) - ((IX) + off) - C$ | - | - | - | ++++ | 36 |
| SUBC A,@EP | 3 | 1 | $(A) \leftarrow (A) - ((EP)) - C$ | - | - | - | ++++ | 37 |
| SUBCW A | 3 | 1 | $(A) \leftarrow (T) - (A) - C$ | - | - | dH | ++++ | 33 |
| SUBC A | 2 | 1 | $(AL) \leftarrow (TL) - (AL) - C$ | - | - | - | ++++ | 32 |
| INC Ri | 4 | 1 | $(Ri) \leftarrow (Ri) + 1$ | - | - | - | +++- | C8 to CF |
| INCW EP | 3 | 1 | $(EP) \leftarrow (EP) + 1$ | - | - | - | ---- | C3 |
| INCW IX | 3 | 1 | $(IX) \leftarrow (IX) + 1$ | - | - | - | ---- | C2 |
| INCW A | 3 | 1 | $(A) \leftarrow (A) + 1$ | - | - | dH | +- - - | C0 |
| DEC Ri | 4 | 1 | $(Ri) \leftarrow (Ri) - 1$ | - | - | - | +++- | D8 to DF |
| DECW EP | 3 | 1 | $(EP) \leftarrow (EP) - 1$ | - | - | - | ---- | D3 |
| DECW IX | 3 | 1 | $(IX) \leftarrow (IX) - 1$ | - | - | - | ---- | D2 |
| DECW A | 3 | 1 | $(A) \leftarrow (A) - 1$ | - | - | dH | +- - - | D0 |
| MULU A | 19 | 1 | $(A) \leftarrow (AL) \times (TL)$ | - | - | dH | ---- | 01 |
| DIVU A | 21 | 1 | $(A) \leftarrow (T) / (AL), MOD \rightarrow (T)$ | dL | 00 | 00 | ---- | 11 |
| ANDW A | 3 | 1 | $(A) \leftarrow (A) \wedge (T)$ | - | - | dH | ++R- | 63 |
| ORW A | 3 | 1 | $(A) \leftarrow (A) \vee (T)$ | - | - | dH | ++R- | 73 |
| XORW A | 3 | 1 | $(A) \leftarrow (A) \nabla (T)$ | - | - | dH | ++R- | 53 |
| CMP A | 2 | 1 | $(TL) - (AL)$ | - | - | - | ++++ | 12 |
| CMPW A | 3 | 1 | $(T) - (A)$ | - | - | - | ++++ | 13 |
| RORC A | 2 | 1 | $\rightarrow C \rightarrow A$ | - | - | - | ++-+ | 03 |
| ROLC A | 2 | 1 | $\leftarrow C \leftarrow A$ | - | - | - | ++-+ | 02 |
| CMP A,#d8 | 2 | 2 | $(A) - d8$ | - | - | - | ++++ | 14 |
| CMP A,dir | 3 | 2 | $(A) - (dir)$ | - | - | - | ++++ | 15 |
| CMP A,@EP | 3 | 1 | $(A) - ((EP))$ | - | - | - | ++++ | 17 |
| CMP A,@IX +off | 4 | 2 | $(A) - ((IX) + off)$ | - | - | - | ++++ | 16 |
| CMP A,Ri | 3 | 1 | $(A) - (Ri)$ | - | - | - | ++++ | 18 to 1F |
| DAA | 2 | 1 | Decimal adjust for addition | - | - | - | ++++ | 84 |
| DAS | 2 | 1 | Decimal adjust for subtraction | - | - | - | ++++ | 94 |
| XOR A | 2 | 1 | $(A) \leftarrow (AL) \nabla (TL)$ | - | - | - | ++R- | 52 |
| XOR A,#d8 | 2 | 2 | $(A) \leftarrow (AL) \nabla d8$ | - | - | - | ++R- | 54 |
| XOR A,dir | 3 | 2 | $(A) \leftarrow (AL) \nabla (dir)$ | - | - | - | ++R- | 55 |
| XOR A,@EP | 3 | 1 | $(A) \leftarrow (AL) \nabla ((EP))$ | - | - | - | ++R- | 57 |
| XOR A,@IX +off | 4 | 2 | $(A) \leftarrow (AL) \nabla ((IX) + off)$ | - | - | - | ++R- | 56 |
| XOR A,Ri | 3 | 1 | $(A) \leftarrow (AL) \nabla (Ri)$ | - | - | - | ++R- | 58 to 5F |
| AND A | 2 | 1 | $(A) \leftarrow (AL) \wedge (TL)$ | - | - | - | ++R- | 62 |
| AND A,#d8 | 2 | 2 | $(A) \leftarrow (AL) \wedge d8$ | - | - | - | ++R- | 64 |
| AND A,dir | 3 | 2 | $(A) \leftarrow (AL) \wedge (dir)$ | - | - | - | ++R- | 65 |

(Continued)

MB89190/190A Series

(Continued)

| Mnemonic | ~ | # | Operation | TL | TH | AH | NZVC | OP code |
|------------------|---|---|--|----|----|----|------|----------|
| AND A,@EP | 3 | 1 | $(A) \leftarrow (AL) \wedge ((EP))$ | - | - | - | ++R- | 67 |
| AND A,@IX +off | 4 | 2 | $(A) \leftarrow (AL) \wedge ((IX) +off)$ | - | - | - | ++R- | 66 |
| AND A,Ri | 3 | 1 | $(A) \leftarrow (AL) \wedge (Ri)$ | - | - | - | ++R- | 68 to 6F |
| OR A | 2 | 1 | $(A) \leftarrow (AL) \vee (TL)$ | - | - | - | ++R- | 72 |
| OR A,#d8 | 2 | 2 | $(A) \leftarrow (AL) \vee d8$ | - | - | - | ++R- | 74 |
| OR A,dir | 3 | 2 | $(A) \leftarrow (AL) \vee (dir)$ | - | - | - | ++R- | 75 |
| OR A,@EP | 3 | 1 | $(A) \leftarrow (AL) \vee ((EP))$ | - | - | - | ++R- | 77 |
| OR A,@IX +off | 4 | 2 | $(A) \leftarrow (AL) \vee ((IX) +off)$ | - | - | - | ++R- | 76 |
| OR A,Ri | 3 | 1 | $(A) \leftarrow (AL) \vee (Ri)$ | - | - | - | ++R- | 78 to 7F |
| CMP dir,#d8 | 5 | 3 | $(dir) - d8$ | - | - | - | ++++ | 95 |
| CMP @EP,#d8 | 4 | 2 | $((EP)) - d8$ | - | - | - | ++++ | 97 |
| CMP @IX +off,#d8 | 5 | 3 | $((IX) +off) - d8$ | - | - | - | ++++ | 96 |
| CMP Ri,#d8 | 4 | 2 | $(Ri) - d8$ | - | - | - | ++++ | 98 to 9F |
| INCW SP | 3 | 1 | $(SP) \leftarrow (SP) + 1$ | - | - | - | ---- | C1 |
| DECW SP | 3 | 1 | $(SP) \leftarrow (SP) - 1$ | - | - | - | ---- | D1 |

Table 4 Branch Instructions (17 instructions)

| Mnemonic | ~ | # | Operation | TL | TH | AH | NZVC | OP code |
|----------------|---|---|---|----|----|----|---------|----------|
| BZ/BEQ rel | 3 | 2 | If $Z = 1$ then $PC \leftarrow PC + rel$ | - | - | - | ---- | FD |
| BNZ/BNE rel | 3 | 2 | If $Z = 0$ then $PC \leftarrow PC + rel$ | - | - | - | ---- | FC |
| BC/BLO rel | 3 | 2 | If $C = 1$ then $PC \leftarrow PC + rel$ | - | - | - | ---- | F9 |
| BNC/BHS rel | 3 | 2 | If $C = 0$ then $PC \leftarrow PC + rel$ | - | - | - | ---- | F8 |
| BN rel | 3 | 2 | If $N = 1$ then $PC \leftarrow PC + rel$ | - | - | - | ---- | FB |
| BP rel | 3 | 2 | If $N = 0$ then $PC \leftarrow PC + rel$ | - | - | - | ---- | FA |
| BLT rel | 3 | 2 | If $V \vee N = 1$ then $PC \leftarrow PC + rel$ | - | - | - | ---- | FF |
| BGE rel | 3 | 2 | If $V \vee N = 0$ then $PC \leftarrow PC + rel$ | - | - | - | ---- | FE |
| BBC dir: b,rel | 5 | 3 | If $(dir: b) = 0$ then $PC \leftarrow PC + rel$ | - | - | - | -+--- | B0 to B7 |
| BBS dir: b,rel | 5 | 3 | If $(dir: b) = 1$ then $PC \leftarrow PC + rel$ | - | - | - | -+--- | B8 to BF |
| JMP @A | 2 | 1 | $(PC) \leftarrow (A)$ | - | - | - | ---- | E0 |
| JMP ext | 3 | 3 | $(PC) \leftarrow ext$ | - | - | - | ---- | 21 |
| CALLV #vct | 6 | 1 | Vector call | - | - | - | ---- | E8 to EF |
| CALL ext | 6 | 3 | Subroutine call | - | - | - | ---- | 31 |
| XCHW A,PC | 3 | 1 | $(PC) \leftarrow (A), (A) \leftarrow (PC) + 1$ | - | - | dH | ---- | F4 |
| RET | 4 | 1 | Return from subroutine | - | - | - | ---- | 20 |
| RETI | 6 | 1 | Return from interrupt | - | - | - | Restore | 30 |

Table 5 Other Instructions (9 instructions)

| Mnemonic | ~ | # | Operation | TL | TH | AH | NZVC | OP code |
|----------|---|---|-----------|----|----|----|-------|---------|
| PUSHW A | 4 | 1 | | - | - | - | ---- | 40 |
| POPW A | 4 | 1 | | - | - | dH | ---- | 50 |
| PUSHW IX | 4 | 1 | | - | - | - | ---- | 41 |
| POPW IX | 4 | 1 | | - | - | - | ---- | 51 |
| NOP | 1 | 1 | | - | - | - | ---- | 00 |
| CLRC | 1 | 1 | | - | - | - | ----R | 81 |
| SETC | 1 | 1 | | - | - | - | ----S | 91 |
| CLRI | 1 | 1 | | - | - | - | ---- | 80 |
| SETI | 1 | 1 | | - | - | - | ---- | 90 |

MB89190/190A Series

INSTRUCTION MAP

| L | H | 0 | 1 | 2 | 3 | 4 | 5 | 6 | 7 | 8 | 9 | A | B | C | D | E | F |
|---|----------------|----------------|-----------------|-----------------|----------------|----------------|---------------|----------------|------------------|------------------|----------------|-------------------|-----------------|-----------------|-----------------|--------------|---|
| 0 | NOP | SWAP | RET | RETI | PUSHW A | POPW A | MOV A,ext | MOVW A,PS | CLR I | SETI | CLRB dir: 0 | BBC dir: 0,rel | INCW A | DECW A | JMP @A | MOVW A,PC | |
| 1 | MULLU A | DIVU A | JMP addr16 | CALL addr16 | PUSHW IX | POPW IX | MOV ext,A | MOVW PS,A | CLRC | SETC | CLRB dir: 1 | BBC dir: 1,rel | INCW SP | DECW SP | MOVW SPA | MOVW A,SP | |
| 2 | ROL A | CMP A | ADDC A | SUBC A | XCH A,T | XOR A,T | AND A | OR A | MOV @A,T | MOV A,@A | CLRB dir: 2 | BBC dir: 2,rel | INCW IX | DECW IX | MOVW IX,A | MOVW A,IX | |
| 3 | RORC A | CMPW A | ADDCW A | SUBCW A | XCHW A,T | XORW A,T | ANDW A | ORW A | MOVW @A,T | MOVW A,@A | CLRB dir: 3 | BBC dir: 3,rel | INCW EP | DECW EP | MOVW EPA | MOVW A,EP | |
| 4 | MOV A,#d8 | CMP A,#d8 | ADDC A,#d8 | SUBC A,#d8 | XOR A,#d8 | AND A,#d8 | OR A,#d8 | DAA | MOV A,#d8 | DAS | CLRB dir: 4 | BBC dir: 4,rel | MOVW A,ext | MOVW ext,A | MOVW A,#d16 | XCHW A,PC | |
| 5 | MOV A,dir | CMP A,dir | ADDC A,dir | SUBC A,dir | XOR A,dir | AND A,dir | OR A,dir | MOV A,dir | MOV dir,#d8 | CMP dir,#d8 | CLRB dir: 5 | BBC dir: 5,rel | MOVW A,dir | MOVW dir,A | MOVW SP,#d16 | XCHW A,SP | |
| 6 | MOV A,@IX+d | CMP A,@IX+d | ADDC A,@IX+d | SUBC A,@IX+d | XOR A,@IX+d | AND A,@IX+d | OR A,@IX+d | MOV A,@IX+d | MOV @IX+d,#d8 | CMP @IX+d,#d8 | CLRB dir: 6 | BBC dir: 6,rel | MOVW A,@IX+d | MOVW @IX+d,A | MOVW IX,#d16 | XCHW A,IX | |
| 7 | MOV A,@EP | CMP A,@EP | ADDC A,@EP | SUBC A,@EP | MOV @EPA | AND A,@EP | OR A,@EP | MOV A,@EP | MOV @EP,#d8 | CMP @EP,#d8 | CLRB dir: 7 | BBC dir: 7,rel | MOVW A,@EP | MOVW @EPA | MOVW EP,#d16 | XCHW A,EP | |
| 8 | MOV A,R0 | CMP A,R0 | ADDC A,R0 | SUBC A,R0 | MOV R0,A | AND A,R0 | OR A,R0 | MOV A,R0 | MOV R0,#d8 | CMP R0,#d8 | SETB dir: 0 | BBS dir: 0,rel | INC | DEC | CALLV #0 | BNC rel | |
| 9 | MOV A,R1 | CMP A,R1 | ADDC A,R1 | SUBC A,R1 | MOV R1,A | AND A,R1 | OR A,R1 | MOV A,R1 | MOV R1,#d8 | CMP R1,#d8 | SETB dir: 1 | BBS dir: 1,rel | INC | DEC | CALLV #1 | BC rel | |
| A | MOV A,R2 | CMP A,R2 | ADDC A,R2 | SUBC A,R2 | MOV R2,A | AND A,R2 | OR A,R2 | MOV A,R2 | MOV R2,#d8 | CMP R2,#d8 | SETB dir: 2 | BBS dir: 2,rel | INC | DEC | CALLV #2 | BP rel | |
| B | MOV A,R3 | CMP A,R3 | ADDC A,R3 | SUBC A,R3 | MOV R3,A | AND A,R3 | OR A,R3 | MOV A,R3 | MOV R3,#d8 | CMP R3,#d8 | SETB dir: 3 | BBS dir: 3,rel | INC | DEC | CALLV #3 | BN rel | |
| C | MOV A,R4 | CMP A,R4 | ADDC A,R4 | SUBC A,R4 | MOV R4,A | AND A,R4 | OR A,R4 | MOV A,R4 | MOV R4,#d8 | CMP R4,#d8 | SETB dir: 4 | BBS dir: 4,rel | INC | DEC | CALLV #4 | BNZ rel | |
| D | MOV A,R5 | CMP A,R5 | ADDC A,R5 | SUBC A,R5 | MOV R5,A | AND A,R5 | OR A,R5 | MOV A,R5 | MOV R5,#d8 | CMP R5,#d8 | SETB dir: 5 | BBS dir: 5,rel | INC | DEC | CALLV #5 | BZ rel | |
| E | MOV A,R6 | CMP A,R6 | ADDC A,R6 | SUBC A,R6 | MOV R6,A | AND A,R6 | OR A,R6 | MOV A,R6 | MOV R6,#d8 | CMP R6,#d8 | SETB dir: 6 | BBS dir: 6,rel | INC | DEC | CALLV #6 | BGE rel | |
| F | MOV A,R7 | CMP A,R7 | ADDC A,R7 | SUBC A,R7 | MOV R7,A | AND A,R7 | OR A,R7 | MOV A,R7 | MOV R7,#d8 | CMP R7,#d8 | SETB dir: 7 | BBS dir: 7,rel | INC | DEC | CALLV #7 | BLT rel | |

MB89190/190A Series

■ MASK OPTION LIST

| No. | Part number | | MB89191 MB89193 MB89195 | MB89191A MB89193A MB89195A | MB89P195 | | MB89P195A | | MB89PV190 MB89PV190A |
|-----|--|--------------------------|-------------------------------|----------------------------------|-----------------------|-------------------------------|---------------|-----------------------|-------------------------|
| | Specifying procedure | | Specify when ordering masking | | -101 ^{*2} | Specify when ordering masking | | -201 ^{*2} | Fixed |
| 1 | Port pull-up resistors | P00 to P07 P30 to P37 | Selectable by pin | | None | Selectable by pin | | None | Not available |
| | | P00 to P03 P40 to P45 | Selectable by pin | Not available | None | Selectable by pin | Not available | None | Not available |
| 2 | Power-on reset <ul style="list-style-type: none"> Power-on reset provided No power-on reset | | Selectable | | Provided | Provided | | Provided | Provided |
| 3 | Selection of oscillation stabilization wait time (at 4.2 MHz) ^{*1} <ul style="list-style-type: none"> $2^{18}/F_c$ (approx. 62.4 ms) $2^{16}/F_c$ (approx. 15.6 ms) $2^{12}/F_c$ (approx. 0.98 ms) $2^2/F_c$ (approx. 0 ms) | | Selectable | | Fixed to $2^{16}/F_c$ | Selectable | | Fixed to $2^{16}/F_c$ | Fixed to $2^{16}/F_c$ |
| 4 | Reset pin output <ul style="list-style-type: none"> Reset output provided No reset output | | Selectable | | Provided | Selectable | | Provided | Provided |
| 5 | Oscillation type of clock <ul style="list-style-type: none"> 1 Crystal and ceramic oscillators 2 CR | | Selectable | | "1" only | Selectable | | "1" only | "1" only |

*1: The oscillation stabilization time is generated by dividing the original clock oscillation. The time described in this item should be used as a rough guideline since the oscillation cycle is unstable immediately after oscillation starts. "Fc" indicates the original oscillation frequency.

*2: -101 and -201 are provided respectively for the MB89P195 and MB89P195A OTP versions as the standard products.

MB89190/190A Series

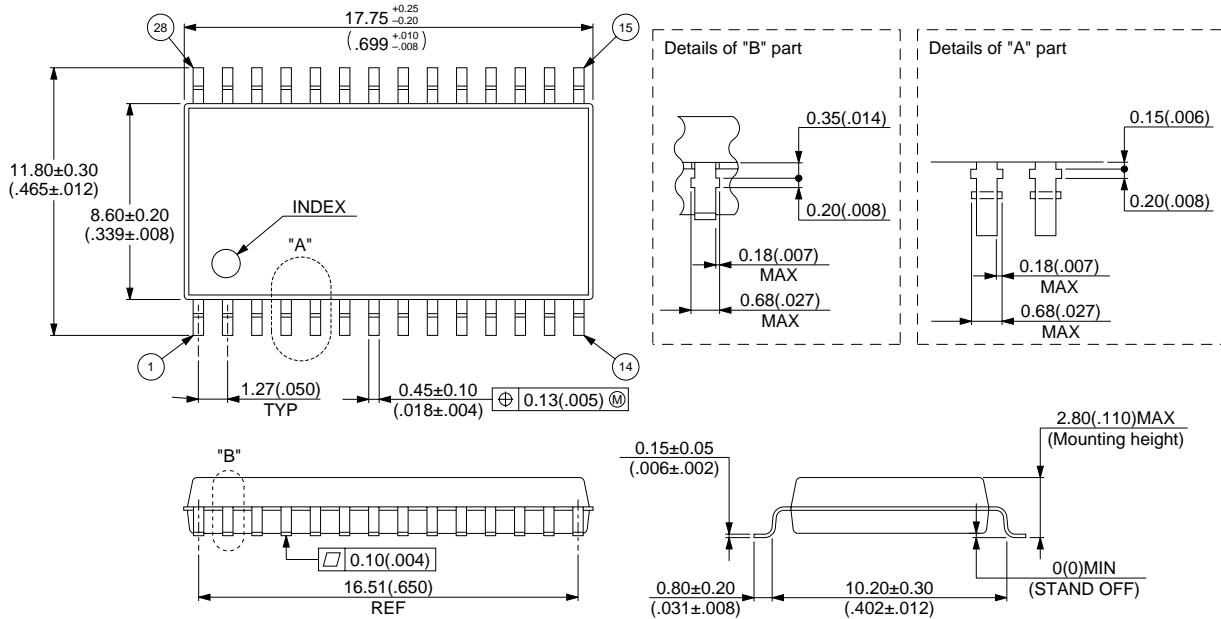
■ ORDERING INFORMATION

| Part number | Package | Remarks |
|--|--|---------|
| MB89191PF MB89193PF MB89195PF MB89P195PF-101 MB89191APF MB89191AHPF MB89193APF MB89193AHPF MB89195APF MB89P195APF-201 | 28-pin Plastic SOP (FPT-28P-M17) | |
| MB89191P-SH MB89193P-SH MB89195P-SH MB89191AP-SH MB89191AHP-SH MB89193AP-SH MB89193AHP-SH MB89195AP-SH | 28-pin Plastic SH-DIP (DIP-28C-M03) | |
| MB89191P MB89193P MB89195P MB89P195P-101 MB89191AP MB89191AHP MB89193AP MB89193AHP MB89195AP MB89P195AP-201 | 28-pin Plastic DIP (DIP-28P-M05) | |
| MB89PV190CF MB89PV190ACF | 48-pin Ceramic MQFP (MQP-48C-P01) | |

MB89190/190A Series

PACKAGE DIMENSION

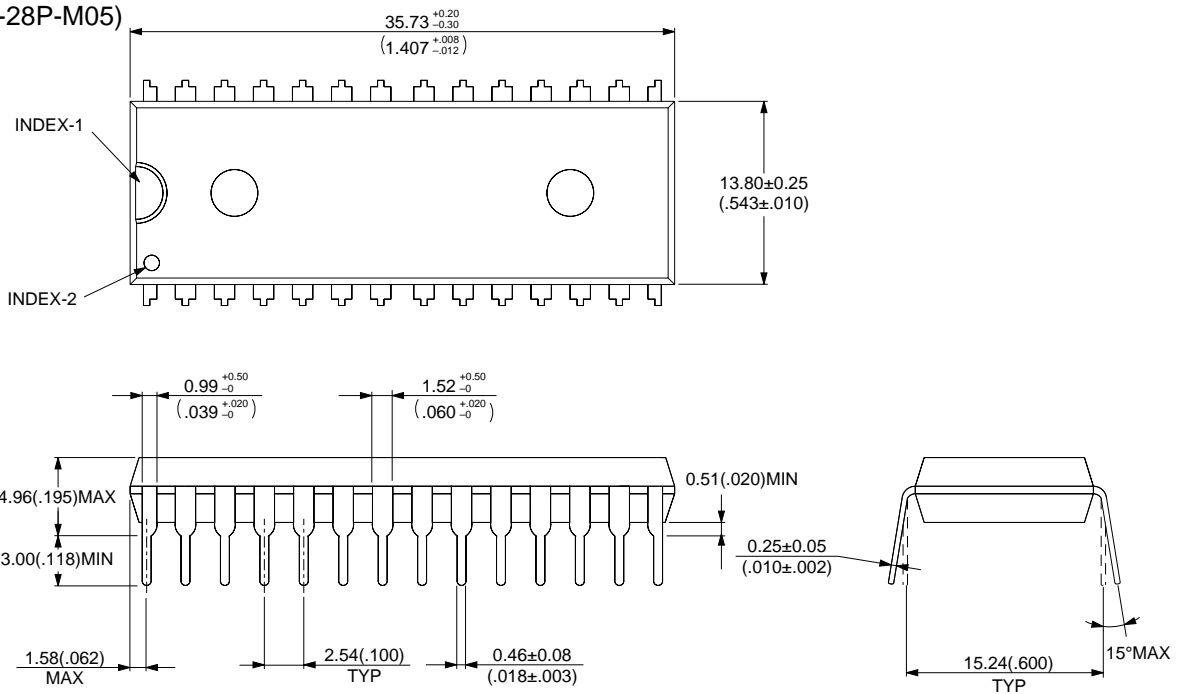
28-pin Plastic SOP
(FPT-28P-M17)



© 1994 FUJITSU LIMITED F28048S-1C-1

Dimensions in mm (inches)

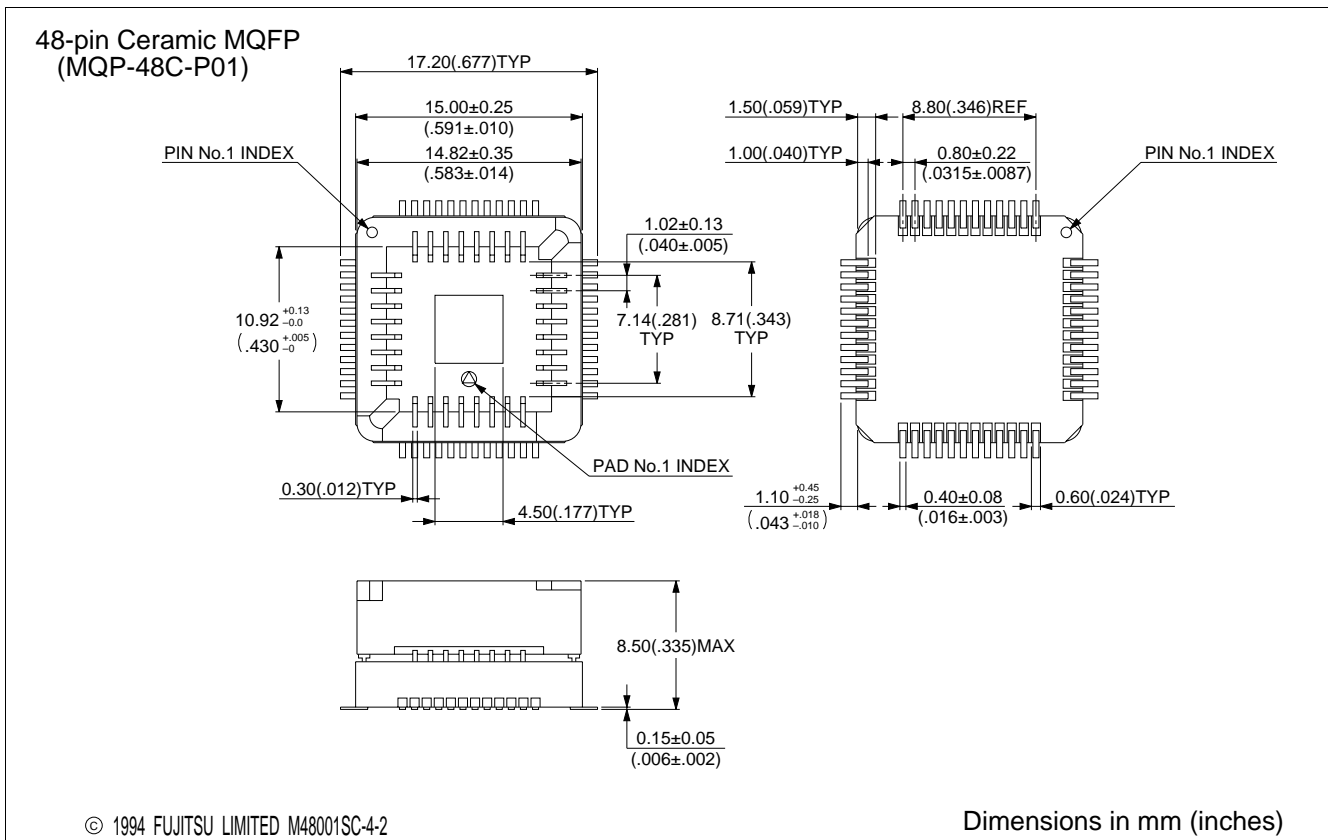
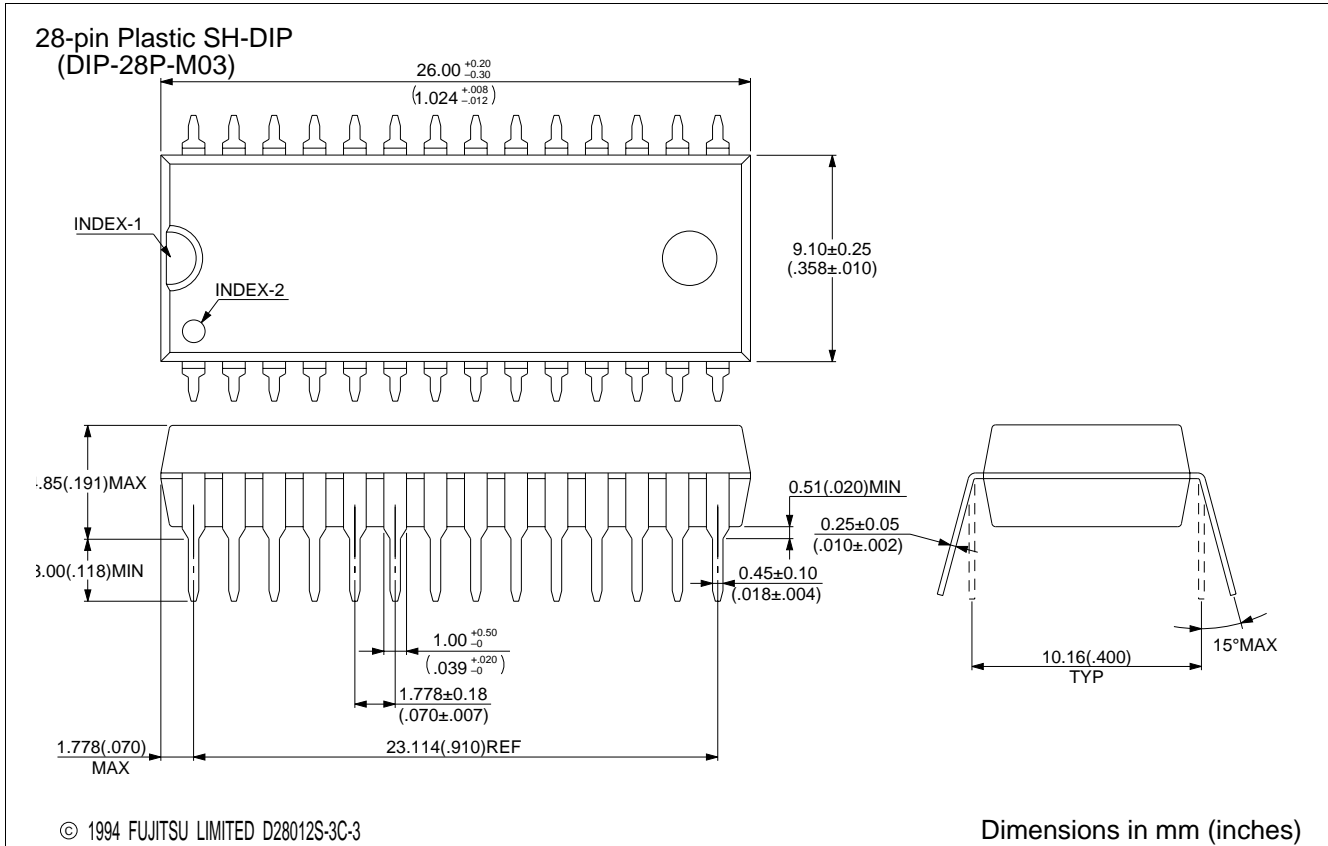
28-pin Plastic DIP
(DIP-28P-M05)



© 1994 FUJITSU LIMITED D28013S-3C-2

Dimensions in mm (inches)

MB89190/190A Series



MB89190/190A Series

FUJITSU LIMITED

For further information please contact:

Japan

FUJITSU LIMITED
Corporate Global Business Support Division
Electronic Devices
KAWASAKI PLANT, 4-1-1, Kamikodanaka
Nakahara-ku, Kawasaki-shi
Kanagawa 211-8588, Japan
Tel: 81(44) 754-3763
Fax: 81(44) 754-3329

<http://www.fujitsu.co.jp/>

North and South America

FUJITSU MICROELECTRONICS, INC.
Semiconductor Division
3545 North First Street
San Jose, CA 95134-1804, USA
Tel: (408) 922-9000
Fax: (408) 922-9179

Customer Response Center
Mon. - Fri.: 7 am - 5 pm (PST)
Tel: (800) 866-8608
Fax: (408) 922-9179

<http://www.fujitsumicro.com/>

Europe

FUJITSU MIKROELEKTRONIK GmbH
Am Siebenstein 6-10
D-63303 Dreieich-Buchsschlag
Germany
Tel: (06103) 690-0
Fax: (06103) 690-122

<http://www.fujitsu-edc.com/>

Asia Pacific

FUJITSU MICROELECTRONICS ASIA PTE LTD
#05-08, 151 Lorong Chuan
New Tech Park
Singapore 556741
Tel: (65) 281-0770
Fax: (65) 281-0220

<http://www.fmap.com.sg/>

F9901

© FUJITSU LIMITED Printed in Japan

All Rights Reserved.

The contents of this document are subject to change without notice. Customers are advised to consult with FUJITSU sales representatives before ordering.

The information and circuit diagrams in this document are presented as examples of semiconductor device applications, and are not intended to be incorporated in devices for actual use. Also, FUJITSU is unable to assume responsibility for infringement of any patent rights or other rights of third parties arising from the use of this information or circuit diagrams.

FUJITSU semiconductor devices are intended for use in standard applications (computers, office automation and other office equipment, industrial, communications, and measurement equipment, personal or household devices, etc.).

CAUTION:

Customers considering the use of our products in special applications where failure or abnormal operation may directly affect human lives or cause physical injury or property damage, or where extremely high levels of reliability are demanded (such as aerospace systems, atomic energy controls, sea floor repeaters, vehicle operating controls, medical devices for life support, etc.) are requested to consult with FUJITSU sales representatives before such use. The company will not be responsible for damages arising from such use without prior approval.

Any semiconductor devices have an inherent chance of failure. You must protect against injury, damage or loss from such failures by incorporating safety design measures into your facility and equipment such as redundancy, fire protection, and prevention of over-current levels and other abnormal operating conditions.

If any products described in this document represent goods or technologies subject to certain restrictions on export under the Foreign Exchange and Foreign Trade Law of Japan, the prior authorization by Japanese government will be required for export of those products from Japan.