

8-bit Proprietary Microcontroller

CMOS

F²MC-8L MB89870 Series

MB89875/P875/PV870

■ DESCRIPTION

The MB89870 series is a line of single-chip microcontrollers. In addition to a compact instruction set, the microcontrollers contain a variety of peripheral functions such as dual-clock control system, five operating speed control stages, timers, a PWM timer, a serial interface, an A/D converter, an external interrupt, an LCD controller/driver, and a watch prescaler.

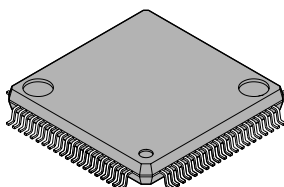
■ FEATURES

- F²MC-8L family CPU core
- Dual-clock control system
- Maximum memory space: 64 Kbytes
- Minimum execution time: 0.4 μ s/10 MHz
- Interrupt processing time: 3.6 μ s/10 MHz
- I/O ports: max. 45 channels
- 21-bit timebase timer
- 8-bit PWM timer: 1 channel, 1 output channel
- 8/16-bit timer/counter: 2 channels (16 bits \times 1 channel)
- 8-bit serial I/O: 1 channel
- 10-bit A/D converter: 8 channels
- OP amp: 4 channels
- External interrupt (wake-up function): 8 channels

(Continued)

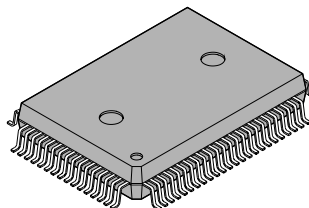
■ PACKAGE

80-pin Plastic LQFP



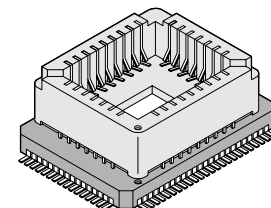
(FPT-80P-M05)

80-pin Plastic QFP



(FPT-80P-M06)

80-pin Ceramic MQFP



(MQP-80C-P01)

MB89870 Series

(Continued)

- Watch prescaler (15 bits)
- LCD controller/driver: 16 to 24 segments × 2 to 4 commons
- Power-on reset function
- Low-power consumption modes (subclock mode, watch mode, sleep mode, and stop mode)
- LQFP-80 (0.50-mm pitch) and QFP-80 (0.80-mm pitch) package

■ PRODUCT LINEUP

Part number Parameter	MB89875	MB89P875	MB89PV870
Classification	Mass production product (mask ROM product)	One-time PROM product	Piggyback/evaluation product (for development)
ROM size	16 K × 8 bits (internal mask ROM)	16 K × 8 bits (internal PROM)	32 K × 8 bits (external ROM)
RAM size	512 × 8 bits		1 K × 8 bits
LCD display RAM	12 × 8 bits		
CPU functions	Number of instructions: 136 Instruction bit length: 8 bits Instruction length: 1 to 3 bytes Data bit length: 1, 8, 16 bits Minimum execution time: 0.4 μs/10 MHz to 6.4 μs/10 MHz, 61.0 μs/32.768 kHz Interrupt processing time: 3.6 μs/10 MHz to 57.6 μs/10 MHz, 549.3 μs/32.768 kHz		
Ports	General-purpose I/O ports (CMOS): 45 (42 ports also serve as peripherals and 8 ports are also an N-ch open-drain type.)		
8-bit PWM timer	8-bit interval timer operation (square output capable, operating clock cycle: 0.4 μs to 3.3 ms) × 1 channel 7/8-bit resolution PWM operation (conversion cycle: 51.2 μs to 839 ms) × 1 channel		
Timers	8-bit timer operation (operating clock cycle) × 2 channels 16-bit timer operation (operating clock cycle) × 1 channel		
8-bit Serial I/O	8 bits LSB first/MSB first selectable One clock selectable from four operation clocks (one external shift clock, three internal shift clocks: 0.8 μs, 3.2 μs, 12.8 μs)		
LCD controller	24 segments × 4 commons		
10-bit A/D converter	10-bit resolution × 8 channels A/D conversion mode (conversion time: 13.2 μs) Sense mode (conversion time: 7.2 μs)		
OP amps	4 channels The output can be used for A/D converter input.		

(Continued)

MB89870 Series

(Continued)

Part number Parameter	MB89875	MB89P875	MB89PV870
External interrupt	8 independent channels (edge selection, interrupt vector, and source flag) Rising edge/falling edge selectable (4 channels) Rising edge/falling edge/both edges selectable (4 channels) Used also for wake-up from stop/sleep mode (Edge detection is also permitted in stop mode.)		
Low-power Consumption (Standby mode)	Subclock mode, sleep mode, watch mode, and stop mode		
Process	CMOS		
Operating voltage*	2.2 V to 6.0 V	2.7 V to 6.0 V	
EPROM for use			MBM27C256A-20TV

* : Varies with conditions such as the operating frequency. (See section “■ Electrical Characteristics.”)

■ PACKAGE AND CORRESPONDING PRODUCTS

Package	MB89875 MB89P875	MB89PV870
FPT-80P-M05	○	×
FPT-80P-M06	○	×
MQP-80C-P01	×	○

○ : Available × : Not available

Note: For more information about each package, see section “■ Package Dimensions.”

MB89870 Series

■ DIFFERENCES AMONG PRODUCTS

1. Memory Size

Before evaluating using the piggyback product, verify its differences from the product that will actually be used. Take particular care on the following points:

- On the MB89PV870, the program area starts from address 8006_H but on the MB89P875 and MB89875 starts from 8000_H.
(On the MB89P875, addresses BFF0_H to BFF6_H comprise the option setting area, option settings can be read by reading these addresses. On the MB89PV870 and MB89875, addresses 8000_H to 8006_H could also be used as a program ROM. However, do not use these addresses in order to maintain compatibility of the MB89P875.)

2. Current Consumption

- In the case of the MB89PV870, add the current consumed by the EPROM which is connected to the top socket.
- When operated at low speed, the product with an OTPROM (one-time PROM) or an EPROM will consume more current than the product with a mask ROM.
However, the current consumption in sleep/stop modes is the same. (For more information, see sections “■ Electrical Characteristics” and “■ Example Characteristics.”)

3. Mask Options

Functions that can be selected as options and how to designate these options vary by the product.

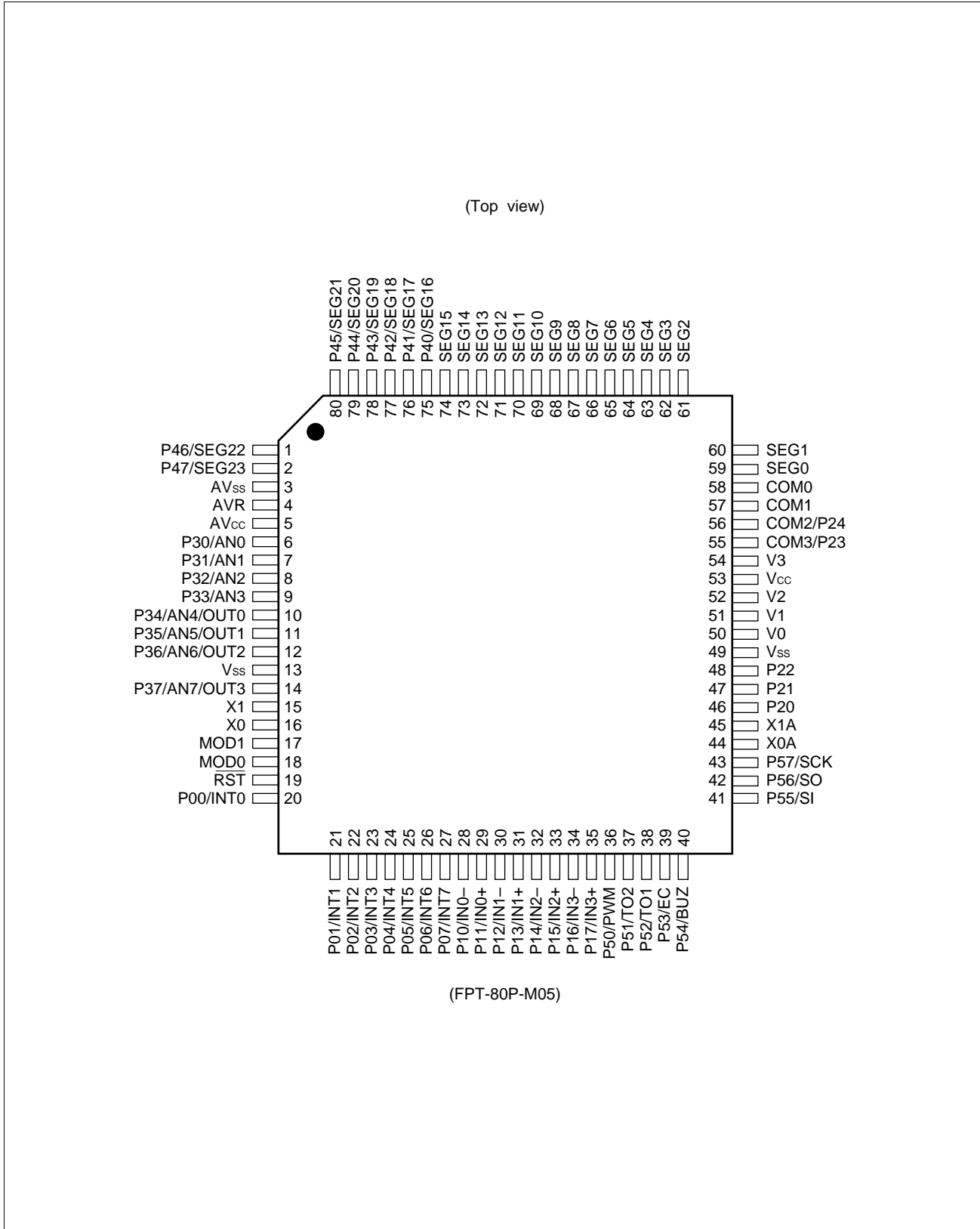
Before using options check section “■ Mask Options.”

Take particular care on the following points:

- A pull-up resistor cannot be selectable for P30 to P37 if they are used as the analog input pin for an A/D converter.
- A pull-up resistor cannot be selectable for P10 to P17, and P34 to P37 if an OP amp is used.
- A pull-up resistor is not selectable for P40 to P47 and P23, P24 if they are used as LCD pins.
- Options are fixed on the MB89PV870.

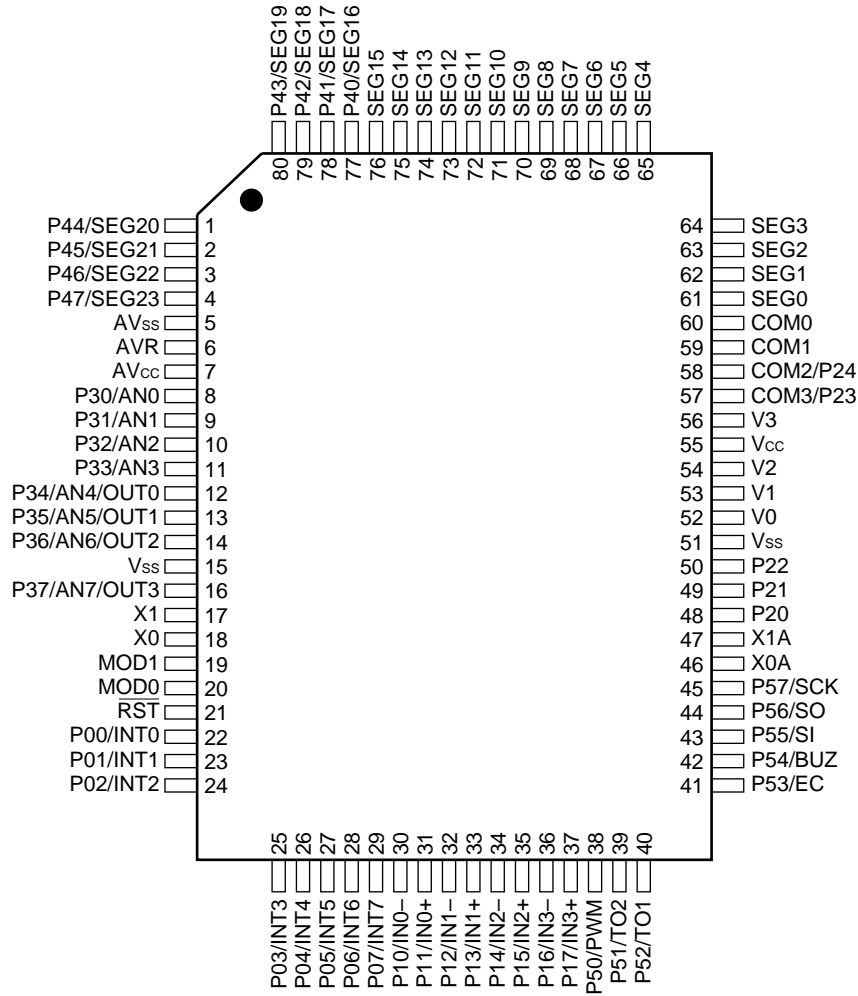
MB89870 Series

■ PIN ASSIGNMENT



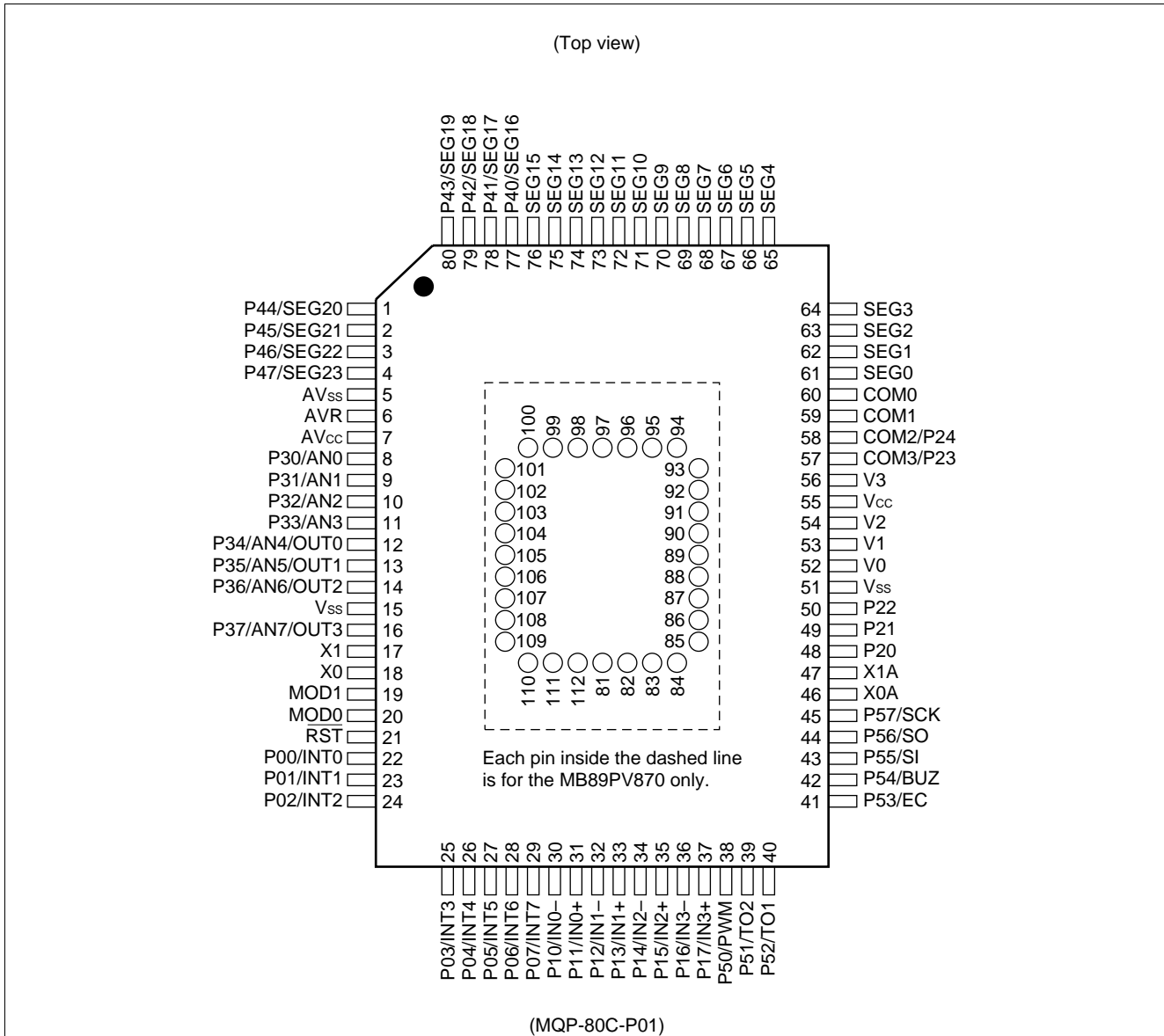
MB89870 Series

(Top view)



(FPT-80P-M06)

MB89870 Series



• Pin assignment on package top (MB89PV870 only)

Pin no.	Pin name	Pin no.	Pin name	Pin no.	Pin name	Pin no.	Pin name
81	N.C.	89	A2	97	N.C.	105	\overline{OE}
82	V _{PP}	90	A1	98	O4	106	N.C.
83	A12	91	A0	99	O5	107	A11
84	A7	92	N.C.	100	O6	108	A9
85	A6	93	O1	101	O7	109	A8
86	A5	94	O2	102	O8	110	A13
87	A4	95	O3	103	\overline{CE}	111	A14
88	A3	96	V _{SS}	104	A10	112	V _{CC}

N.C.: Internally connected. Do not use.

MB89870 Series

■ PIN DESCRIPTION

Pin no.		Pin name	Circuit type	Function
LQFP ^{*1}	QFP ^{*2} MQFP ^{*3}			
15	17	X1	A	Main clock crystal oscillator pins (max. 10 MHz)
16	18	X0		
44	46	X0A	B	Subclock crystal oscillator pins (32.768 kHz)
45	47	X1A		
17	19	MOD1	C	Operating mode selection pins Connect to V _{SS} (GND) when using.
18	20	MOD0		
19	21	RST	J	Reset I/O pin “L” is output from this pin by an internal source. The internal circuit is initialized by the input of “L”.
20 to 27	22 to 29	P00/INT0 to P07/INT7	D	General-purpose I/O ports Also serve as an external interrupt input (wake-up function). External interrupt input is hysteresis input.
28, 29, 30, 31, 32, 33, 34, 35	30, 31, 32, 33, 34, 35, 36, 37	P10/IN0–, P11/IN0+, P12/IN1–, P13/IN1+, P14/IN2–, P15/IN2+, P16/IN3–, P17/IN3+	E	General-purpose I/O ports Also serve as the input for the OP amp
46 to 48	48 to 50	P20 to P22	F	General-purpose I/O ports
6 to 9	8 to 11	P30/AN0 to P33/AN3	E	General-purpose I/O ports Also serve as the input for the A/D converter.
10 to 14	12 to 16	P34/AN4/OUT0 to P37/AN7/OUT3	G	General-purpose I/O ports Also serve as the A/D converter input and the output for the OP amp.
75 to 80, 1,2	77 to 80, 1 to 4	P40/SEG16 to P47/SEG23	H	General-purpose I/O ports Also serve as an LCD controller/driver segment output.
36	38	P50/PWM	F	General-purpose I/O port The output type can be switched between N-ch open-drain and CMOS. Also serves as an 8-bit PWM timer.
37, 38, 39	39, 40, 41	P51/TO2, P52/TO1, P53/EC	F	General-purpose I/O ports The output type can be switched between N-ch open-drain and CMOS. Also serves as an 8/16-bit timer/counter.

*1: FPT-80P-M05

*2: FPT-80P-M06

*3: MQP-80C-P01

(Continued)

MB89870 Series

(Continued)

Pin no.		Pin name	Circuit type	Function
LQFP ^{*1}	QFP ^{*2} MQFP ^{*3}			
40	42	P54/BUZ	F	General-purpose I/O port The output type can be switched between N-ch open-drain and CMOS. Also serves as a buzzer output.
41, 42, 43	43, 44, 45	P55/SI, P56/SO, P57/SCK	F	General-purpose I/O ports The output type can be switched between N-ch open-drain and CMOS. Also serve as an 8-bit serial I/O.
59 to 74	61 to 76	SEG15 to SEG0	I	LCD controller/driver segment output pins
58, 57	60, 59	COM0, COM1	I	LCD controller/driver common output pins
56, 55	58, 57	COM2/P24, COM3/P23	H	LCD controller/driver common output pins These pins can be used as general-purpose I/O ports when they are not used as common output pins.
50 to 54	52 to 56	V3 to V0	—	LCD driving power supply pins
5	7	AV _{CC}	—	A/D converter and OP amp power supply pin
4	6	AV _R	—	A/D converter reference voltage input pin
3	5	AV _{SS}	—	A/D converter and OP amp power supply (GND) pin
53	55	V _{CC}	—	Power supply pin
13, 49	15, 51	V _{SS}	—	Power supply (GND) pins

*1: FPT-80P-M05

*2: FPT-80P-M06

*3: MQP-80C-P01

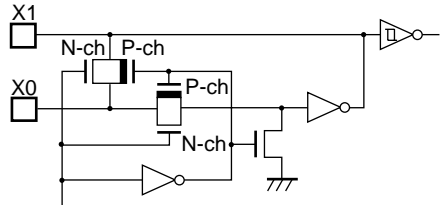
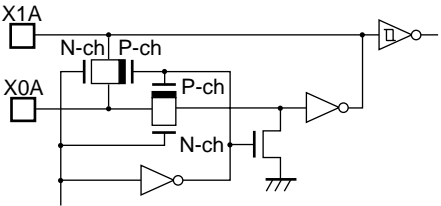
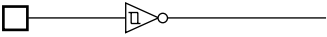
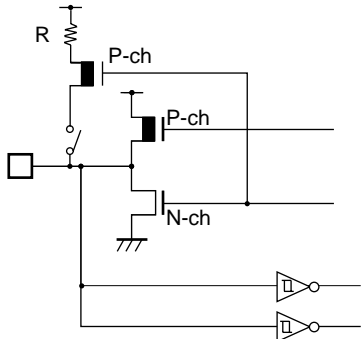
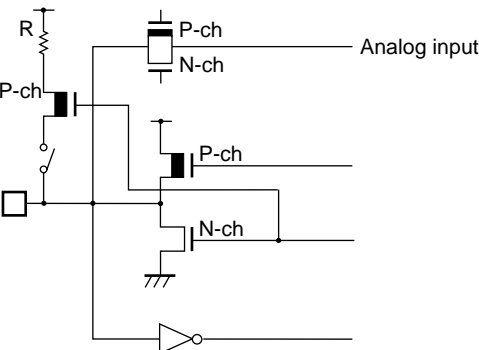
MB89870 Series

- External EPROM pins (MB89PV870 only)

Pin no.	Pin name	I/O	Function
82	V _{PP}	O	"H" level output pin
83	A12	O	Address output pins
84	A7		
85	A6		
86	A5		
87	A4		
88	A3		
89	A2		
90	A1		
91	A0		
93	O1	I	Data input pins
94	O2		
95	O3		
96	V _{SS}	O	Power supply (GND) pin
98	O4	I	Data input pins
99	O5		
100	O6		
101	O7		
102	O8		
103	\overline{CE}		
104	A10	O	Address output pin
105	\overline{OE}	O	ROM output enable pin Outputs "L" at all times.
107	A11	O	Address output pins
108	A9		
109	A8		
110	A13		
111	A14	O	
112	V _{CC}	O	EPROM power supply pin
81	N.C.	—	Internally connected pins Be sure to leave them open.
92			
97			
106			

MB89870 Series

■ I/O CIRCUIT TYPE

Type	Circuit	Remarks
A	 <p>Main clock control signal</p>	<p>Main clock</p> <ul style="list-style-type: none"> At an oscillation feedback resistor of approximately 1 MΩ/5.0 V
B	 <p>Subclock control signal</p>	<p>Subclock</p> <ul style="list-style-type: none"> At an oscillation feedback resistor of approximately 4.5 MΩ/5.0 V
C		<ul style="list-style-type: none"> CMOS hysteresis input
D		<ul style="list-style-type: none"> CMOS I/O (when selected as general-purpose ports) Hysteresis input (when selected as an external interrupt input) Pull-up resistor optional at approximately 50 kΩ/5.0 V
E	 <p>Analog input</p>	<ul style="list-style-type: none"> Analog input CMOS I/O (when selected as general-purpose ports) Pull-up resistor optional at approximately 50 kΩ/5.0 V

(Continued)

MB89870 Series

(Continued)

Type	Circuit	Remarks
F		<ul style="list-style-type: none"> • CMOS I/O (when selected as general-purpose ports) • P50 to P57 are output only and can be switched between CMOS output and N-ch open-drain output. • Pull-up resistor optional at approximately 50 kΩ/5.0 V
G		<ul style="list-style-type: none"> • Analog input • Analog output • CMOS I/O (when selected as general-purpose ports) • Pull-up resistor optional at approximately 50 kΩ/5.0 V
H		<ul style="list-style-type: none"> • LCD controller/driver output • CMOS I/O (when selected as general-purpose ports) • Pull-up resistor optional at approximately 50 kΩ/5.0 V
I		<ul style="list-style-type: none"> • LCD controller/driver output
J		<ul style="list-style-type: none"> • At an output pull-up resistor (P-ch) of approximately 50 kΩ/5.0 V • CMOS hysteresis input

■ HANDLING DEVICES

1. Preventing Latchup

Latchup may occur on CMOS ICs if voltage higher than V_{CC} or lower than V_{SS} is applied to input and output pins other than medium- and high-voltage pins or if higher than the voltage which shows on “1. Absolute Maximum Ratings” in section “■ Electrical Characteristics” is applied between V_{CC} and V_{SS} .

When latchup occurs, power supply current increases rapidly and might thermally damage elements. When using, take great care not to exceed the absolute maximum ratings.

Also, take care to prevent the analog power supply (AV_{CC} and AVR) and analog input from exceeding the digital power supply (V_{CC}) when the analog system power supply is turned on and off.

2. Treatment of Unused Input Pins

Leaving unused input pins open could cause malfunctions. They should be connected to a pull-up or pull-down resistor.

3. Treatment of Power Supply Pins on Microcontrollers with A/D and D/A Converters

Connect to be $AV_{CC} = DAVC = V_{CC}$ and $AV_{SS} = AVR = V_{SS}$ even if the A/D and D/A converters are not in use.

4. Treatment of N.C. Pins

Be sure to leave (internally connected) N.C. pins open.

5. Power Supply Voltage Fluctuations

Although V_{CC} power supply voltage is assured to operate within the rated range, a rapid fluctuation of the voltage could cause malfunctions, even if it occurs within the rated range. Stabilizing voltage supplied to the IC is therefore important. As stabilization guidelines, it is recommended to control power so that V_{CC} ripple fluctuations (P-P value) will be less than 10% of the standard V_{CC} value at the commercial frequency (50 to 60 Hz) and the transient fluctuation rate will be less than 0.1 V/ms at the time of a momentary fluctuation such as when power is switched.

6. Precautions when Using an External Clock

When an external clock is used, oscillation stabilization time is required even for power-on reset (optional) and wake-up from stop mode.

MB89870 Series

■ PROGRAMMING TO THE EPROM ON THE MB89P875

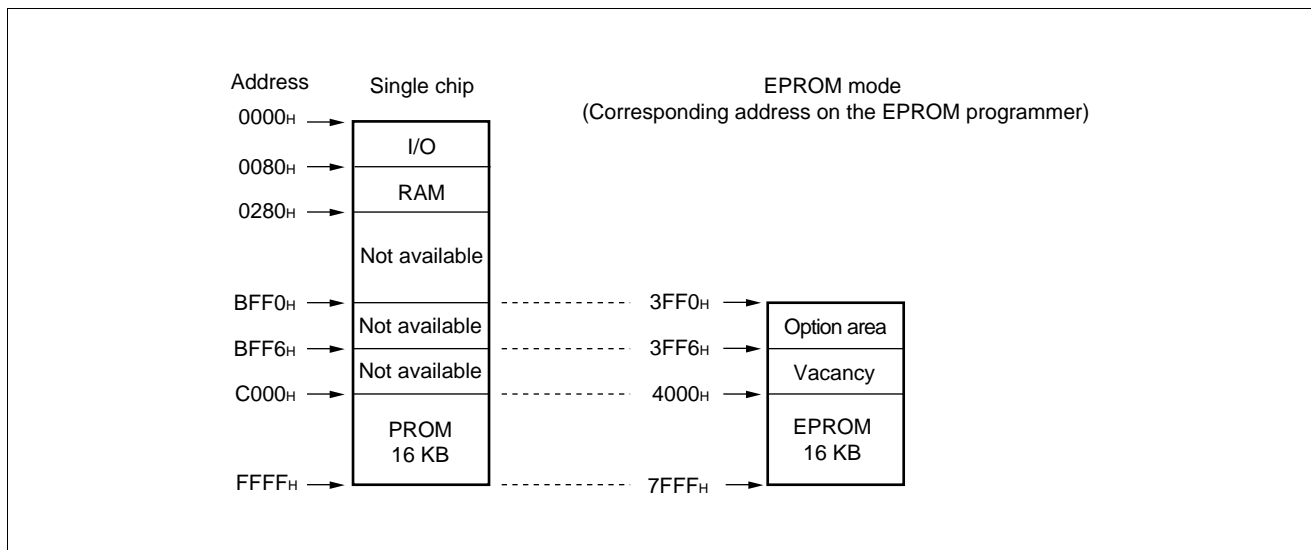
The MB89P875 is an OTPROM version of the MB89870 series.

1. Features

- 16-Kbyte PROM on chip
- Options can be set using the EPROM programmer.
- Equivalency to the MBM27C256A in EPROM mode (when programmed with the EPROM programmer)

2. Memory Space

Memory space in each mode such as 16-Kbyte PROM, option area is diagrammed below.



3. Programming to the EPROM

In EPROM mode, the MB89P875 functions equivalent to the MBM27C256A. This allows the PROM to be programmed with a general-purpose EPROM programmer (the electronic signature mode cannot be used) by using the dedicated socket adapter. When the operating ROM area for a single chip is 16 Kbytes (C000H to FFFFH) the PROM can be programmed as follows:

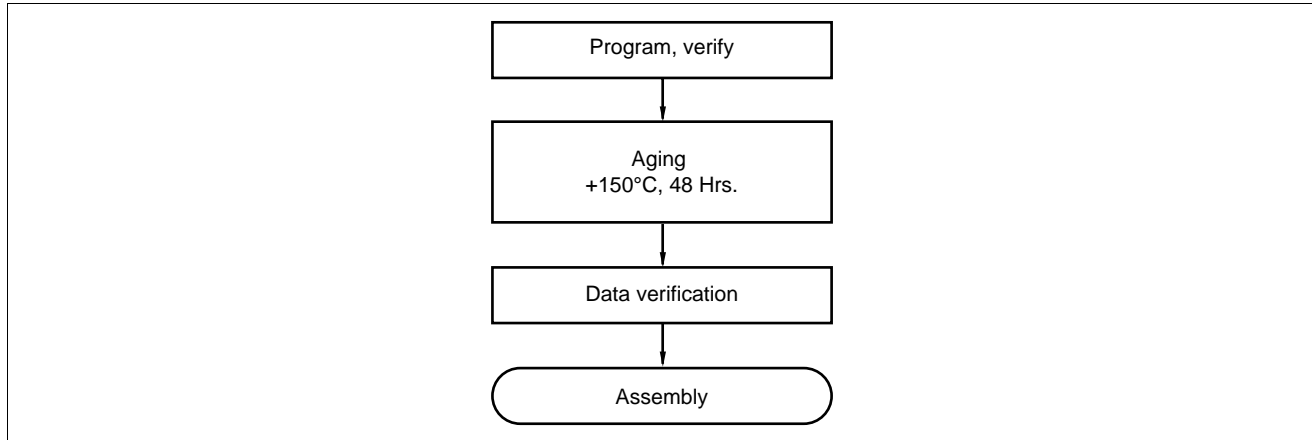
• Programming procedure

- (1) Set the EPROM programmer to the MBM27C256A.
- (2) Load program data into the EPROM programmer at 4000H to 7FFFH (note that addresses C000H to FFFFH while operating as a single chip assign to 4000H to 7FFFH in EPROM mode).
Load option data into addresses 3FF0H to 3FF6H of the EPROM programmer. (For information about each corresponding option, see "7. Setting OTPROM Options.")
- (3) Program to 3FF0H to 7FFFH with the EPROM programmer.

MB89870 Series

4. Recommended Screening Conditions

High-temperature aging is recommended as the pre-assembly screening procedure for a product with a blanked OTPROM microcomputer program.



5. Programming Yield

All bits cannot be programmed at Fujitsu shipping test to a blanked OTPROM microcomputer, due to its nature. For this reason, a programming yield of 100% cannot be assured at all times.

6. EPROM Programmer Socket Adapter

Part No.	Package	Compatible socket adapter Sun Hayato Co., Ltd.	Recommended programmer manufacturer and programmer name	
			Minato Electronics Inc.	Advantest Corp.
			1890A	R4945A
MB89P875PFV	LQFP-80	ROM-80SQF-28DP-8L	Recommended	Recommended
MB89P875PF	QFP-80	ROM-80QF-28DP-8L3	Recommended	Recommended

Inquiry: Sun Hayato Co., Ltd.: TEL (81)-3-3986-0403

FAX (81)-3-5396-9106

Minato Electronics Inc.: TEL: USA (1)-916-348-6066

JAPAN (81)-45-591-5611

Advantest Corp.: TEL: Except JAPAN (81)-3-3930-4111

MB89870 Series

7. Setting OTPROM Options

The programming procedure is the same as that for the PROM. Options can be set by programming values at the addresses shown on the memory map. The relationship between bits and options is shown on the following bit map:

- **OTPROM option bit map**

Address	Bit 7	Bit 6	Bit 5	Bit 4	Bit 3	Bit 2	Bit 1	Bit 0
3FF0 _H	Vacancy	Vacancy	Vacancy	Single/dual-clock system 1: Dual clock 0: Single clock	Reset pin output 1: Yes 0: No	Power-on reset 1: Yes 0: No	Oscillation stabilization time	
	Readable and writable	Readable and writable	Readable and writable				00: 2 ¹⁸ /F _{CH} 01: 2 ¹⁷ /F _{CH}	10: 2 ¹³ /F _{CH} 11: 0
3FF1 _H	P07 Pull-up 1: No 0: Yes	P06 Pull-up 1: No 0: Yes	P05 Pull-up 1: No 0: Yes	P04 Pull-up 1: No 0: Yes	P03 Pull-up 1: No 0: Yes	P02 Pull-up 1: No 0: Yes	P01 Pull-up 1: No 0: Yes	P00 Pull-up 1: No 0: Yes
3FF2 _H	Vacancy	Vacancy	P44 to P47 Pull-up 1: No 0: Yes	P40 to P43 Pull-up 1: No 0: Yes	P16, P17 Pull-up 1: No 0: Yes	P14, P15 Pull-up 1: No 0: Yes	P12, P13 Pull-up 1: No 0: Yes	P10, P11 Pull-up 1: No 0: Yes
	Readable and writable	Readable and writable						
3FF3 _H	P37 Pull-up 1: No 0: Yes	P36 Pull-up 1: No 0: Yes	P35 Pull-up 1: No 0: Yes	P34 Pull-up 1: No 0: Yes	P33 Pull-up 1: No 0: Yes	P32 Pull-up 1: No 0: Yes	P31 Pull-up 1: No 0: Yes	P30 Pull-up 1: No 0: Yes
3FF4 _H	P57 Pull-up 1: No 0: Yes	P56 Pull-up 1: No 0: Yes	P55 Pull-up 1: No 0: Yes	P54 Pull-up 1: No 0: Yes	P53 Pull-up 1: No 0: Yes	P52 Pull-up 1: No 0: Yes	P51 Pull-up 1: No 0: Yes	P50 Pull-up 1: No 0: Yes
3FF5 _H	Vacancy	Vacancy	Vacancy	P24 Pull-up 1: No 0: Yes	P23 Pull-up 1: No 0: Yes	P22 Pull-up 1: No 0: Yes	P21 Pull-up 1: No 0: Yes	P20 Pull-up 1: No 0: Yes
	Readable and writable	Readable and writable	Readable and writable					
3FF6 _H	Vacancy	Vacancy	Vacancy	Vacancy	Vacancy	Vacancy	Vacancy	Reserved bit
	Readable and writable	Readable and writable	Readable and writable	Readable and writable	Readable and writable	Readable and writable	Readable and writable	Readable and writable

Note: Each bit is set to '1' as the initialized value.

MB89870 Series

■ PROGRAMMING TO THE EPROM WITH PIGGYBACK/EVALUATION DEVICE

1. EPROM for Use

MBM27C256A-20TV

2. Programming Socket Adapter

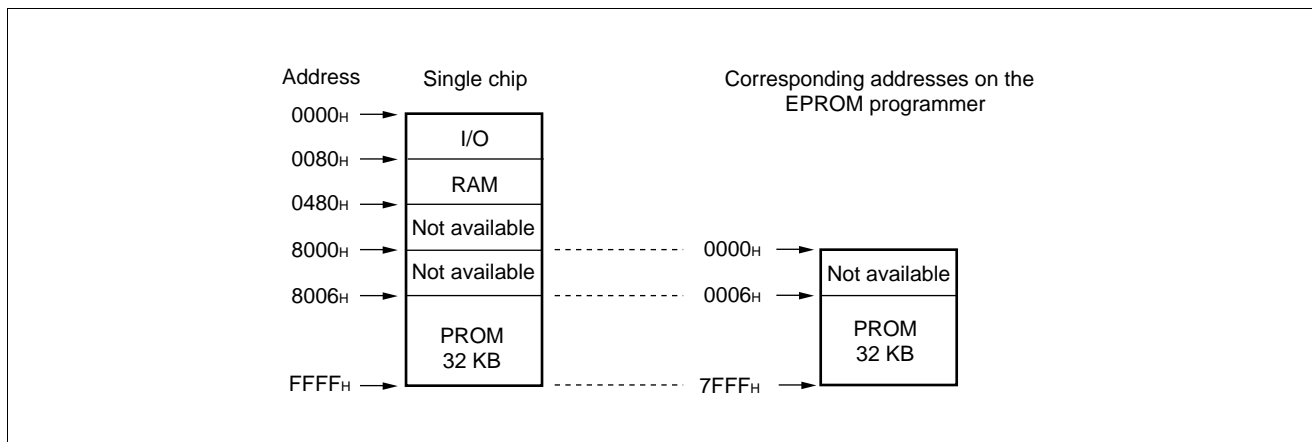
To program to the PROM using an EPROM programmer, use the socket adapter (manufacturer: Sun Hayato Co., Ltd.) listed below.

Package	Compatible socket part number
LCC-32 (Rectangle)	ROM-32LC-28DP-YG
LCC-32 (Square)	ROM-32LC-28DP-S

Inquiry: Sun Hayato Co., Ltd.: TEL (81)-3-3986-0403
FAX (81)-3-5396-9106

3. Memory Space

Memory space in 32-Kbyte PROM is diagrammed below.

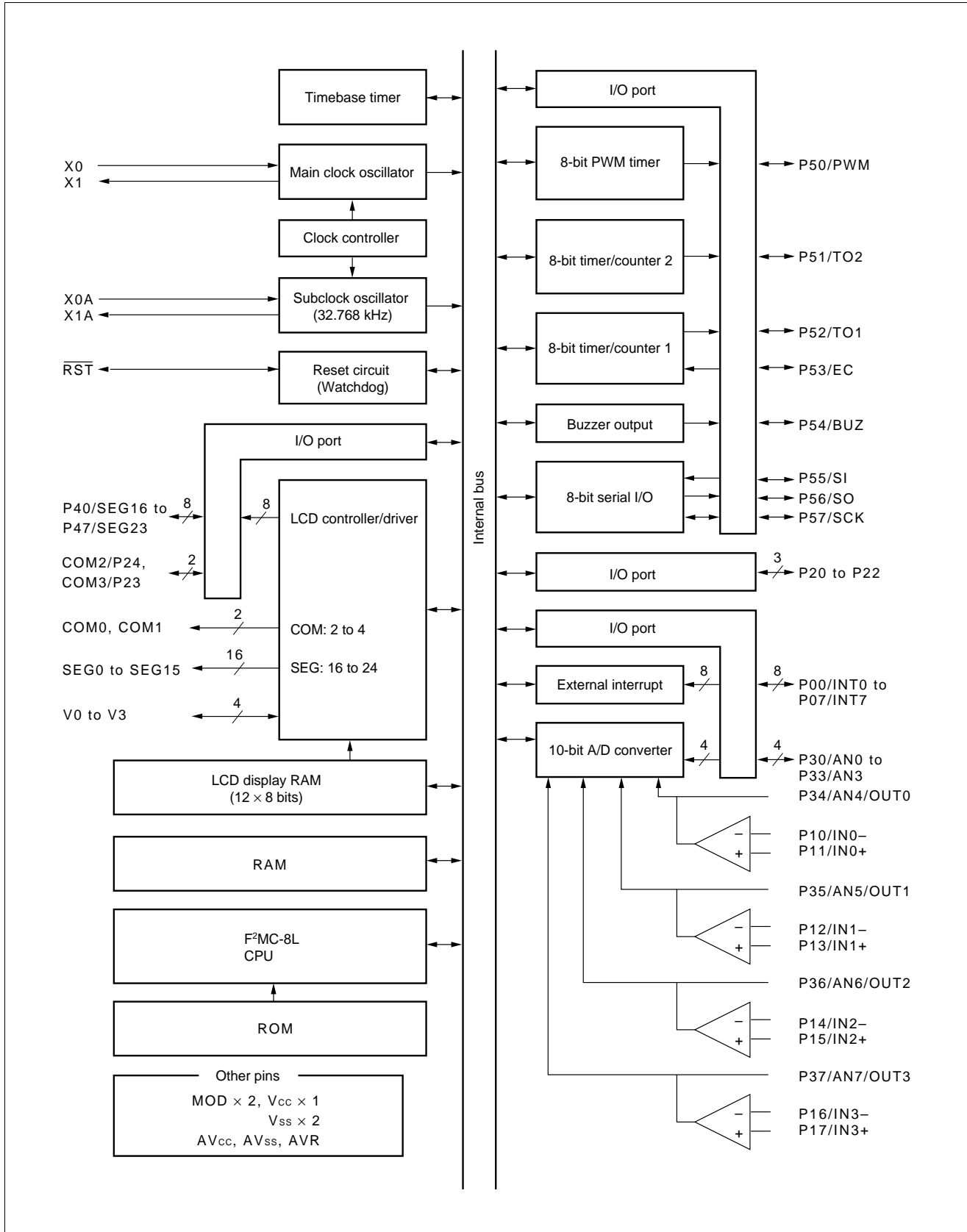


4. Programming to the EPROM

- (1) Set the EPROM programmer to the MBM27C256A.
- (2) Load program data into the EPROM programmer at 0006H to 7FFFH.
- (3) Program to 0000H to 7FFFH with the EPROM programmer.

MB89870 Series

■ BLOCK DIAGRAM

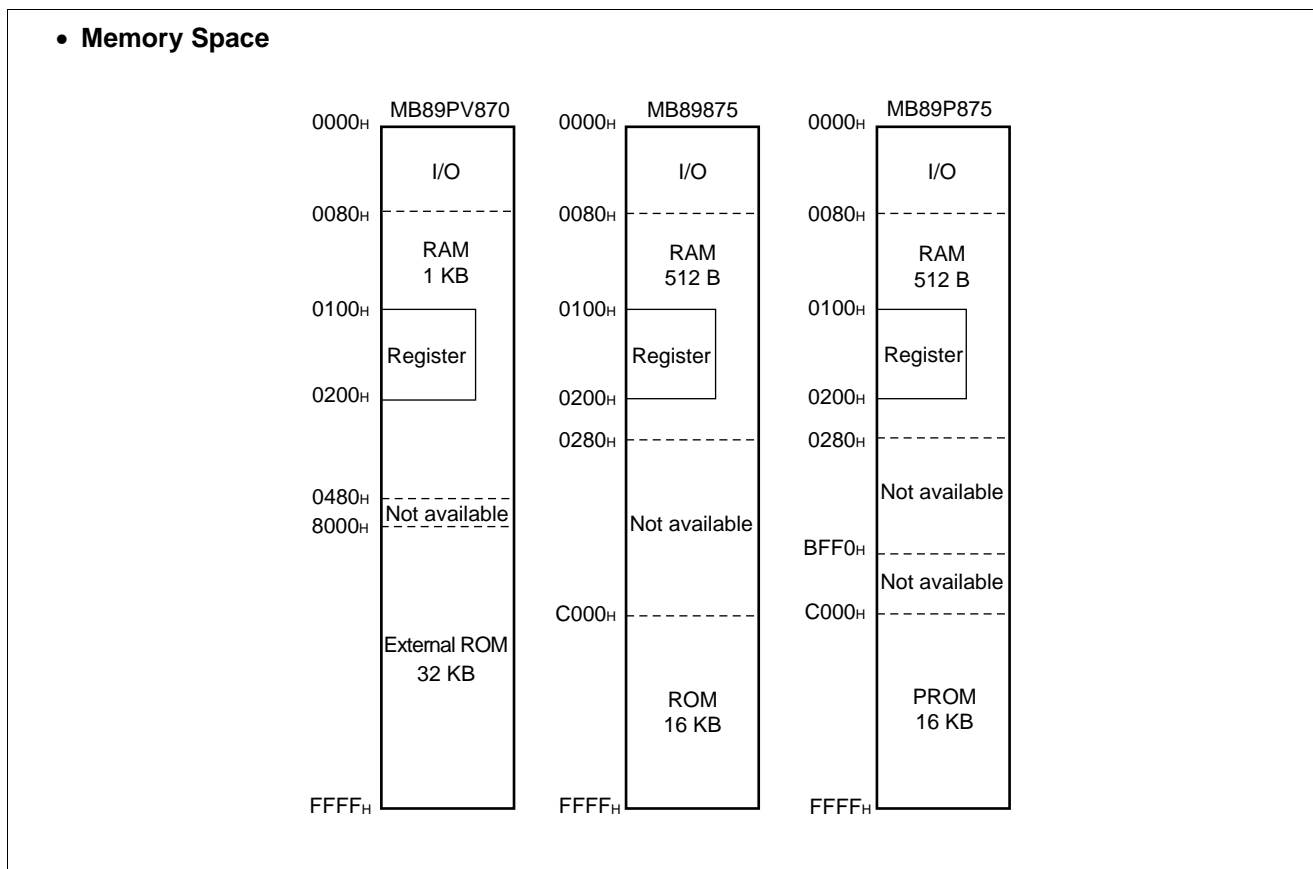


MB89870 Series

■ CPU CORE

1. Memory Space

The microcontrollers of the MB89870 series offer a memory space of 64 Kbytes for storing all of I/O, data, and program areas. The I/O area is located at the lowest address. The data area is provided immediately above the I/O area. The data area can be divided into register, stack, and direct areas according to the application. The program area is located at exactly the opposite end, that is, near the highest address. Provide the tables of interrupt reset vectors and vector call instructions toward the highest address within the program area. The memory space of the MB89870 series is structured as illustrated below.



MB89870 Series

2. Registers

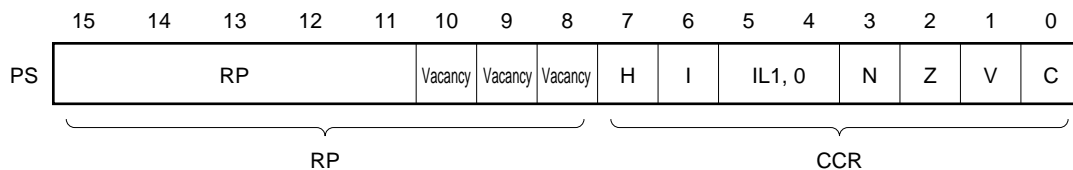
The F²MC-8L family has two types of registers; dedicated registers in the CPU and general-purpose registers in the memory. The following dedicated registers are provided:

Program counter (PC):	A 16-bit register for indicating instruction storage positions
Accumulator (A):	A 16-bit temporary register for storing arithmetic operations, etc. When the instruction is an 8-bit data processing instruction, the lower byte is used.
Temporary accumulator (T):	A 16-bit register which performs arithmetic operations with the accumulator When the instruction is an 8-bit data processing instruction, the lower byte is used.
Index register (IX):	A 16-bit register for index modification
Extra pointer (EP):	A 16-bit pointer for indicating a memory address
Stack pointer (SP):	A 16-bit register for indicating a stack area
Program status (PS):	A 16-bit register for storing a register pointer, a condition code

← 16 bits →		Initial value
PC	: Program counter	FFFD _H
A	: Accumulator	Indeterminate
T	: Temporary accumulator	Indeterminate
IX	: Index register	Indeterminate
EP	: Extra pointer	Indeterminate
SP	: Stack pointer	Indeterminate
PS	: Program status	I-flag = 0, IL1,0 = 11 The other bit values are indeterminate.

The PS can further be divided into higher 8 bits for use as a register bank pointer (RP) and the lower 8 bits for use as a condition code register (CCR). (See the diagram below.)

• Structure of the Program Status Register



MB89870 Series

The RP indicates the address of the register bank currently in use. The relationship between the pointer contents and the actual address is based on the conversion rule illustrated below.

• Rule for Conversion of Actual Addresses of the General-purpose Register Area



The CCR consists of bits indicating the results of arithmetic operations and the contents of transfer data and bits for control of CPU operations at the time of an interrupt.

H-flag: Set to '1' when a carry or a borrow from bit 3 to bit 4 occurs as a result of an arithmetic operation. Cleared to '0' otherwise. This flag is for decimal adjustment instructions.

I-flag: Interrupt is enabled when this flag is set to '1'. Interrupt is disabled when the flag is cleared to '0'. Cleared to '0' at the reset.

IL1, 0: Indicates the level of the interrupt currently allowed. Processes an interrupt only if its request level is higher than the value indicated by this bit.

IL1	IL0	Interrupt level	High-low
0	0	1	High
0	1		↑
1	0	2	↓
1	1	3	Low

N-flag: Set to '1' if the MSB becomes to '1' as the result of an arithmetic operation. Cleared to '0' when the bit is cleared to '0'.

Z-flag: Set to '1' when an arithmetic operation results in 0. Cleared otherwise.

V-flag: Set to '1' if the complement on 2 overflows as a result of an arithmetic operation. Cleared to '0' if the overflow does not occur.

C-flag: Set to '1' when a carry or a borrow from bit 7 occurs as a result of an arithmetic operation. Cleared to '0' otherwise. Set to the shift-out value in the case of a shift instruction.

MB89870 Series

The following general-purpose registers are provided:

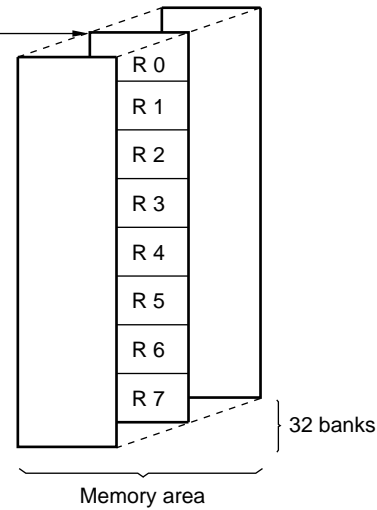
General-purpose registers: An 8-bit register for storing data

The general-purpose registers are 8 bits and located in the register banks of the memory. One bank contains eight registers and up to a total of 32 banks can be used on the MB89875 (RAM 512×8 bits). The bank currently in use is indicated by the register bank pointer (RP).

Note: The number of register banks that can be used varies with the RAM size.

• Register Bank Configuraiton

This address = $0100_{\text{H}} + 8 \times (\text{RP})$



MB89870 Series

■ I/O MAP

Address	Read/write	Register name	Register description
00H	R/W	PDR0	Port 0 data register
01H	W	DDR0	Port 0 data direction register
02H	R/W	PDR1	Port 1 data register
03H	W	DDR1	Port 1 data direction register
04H	R/W	PDR2	Port 2 data register
05H	R/W	DDR2	Port 2 data direction register
06H			Vacancy
07H	R/W	SCC	System clock control register
08H	R/W	SMC	Standby control register
09H	R/W	WDTE	Watchdog timer control register
0AH	R/W	TBCR	Timebase timer control register
0BH	R/W	WCR	Watch prescaler control register
0CH	R/W	PDR3	Port 3 data register
0DH	R/W	DDR3	Port 3 data direction register
0EH	R/W	PDR4	Port 4 data register
0FH	R/W	DDR4	Port 4 data direction register
10H			Vacancy
11H			Vacancy
12H			Vacancy
13H			Vacancy
14H			Vacancy
15H			Vacancy
16H	R/W	PDR5	Port 5 data register
17H	R/W	DDR5	Port 5 data direction register
18H			Vacancy
19H			Vacancy
1AH	R/W	CHG5	Port 5 switching register
1BH			Vacancy
1CH			Vacancy
1DH	W	ICR3	Port 3 input control register
1EH	R/W	CNTR	PWM control register
1FH	W	COMP	PWM compare register

(Continued)

MB89870 Series

(Continued)

Address	Read/write	Register name	Register description
20 _H			Vacancy
21 _H			Vacancy
22 _H			Vacancy
23 _H			Vacancy
24 _H	R/W	T2CR	Timer 2 control register
25 _H	R/W	T1CR	Timer 1 control register
26 _H	R/W	T2DR	Timer 2 data register
27 _H	R/W	T1DR	Timer 1 data register
28 _H	R/W	SMR	Serial mode register
29 _H	R/W	SDR	Serial data register
2A _H			Vacancy
2B _H			Vacancy
2C _H	R/W	OPC	OP amp control register
2D _H	R/W	ADC1	A/D converter control register 1
2E _H	R/W	ADC2	A/D converter control register 2
2F _H	R/W	ADCH	A/D converter data register H
30 _H	R/W	ADCL	A/D converter data register L
31 _H	R/W	EIE1	External interrupt 1 enable register
32 _H	R/W	EIF1	External interrupt 1 flag register
33 _H	R/W	EIE2	External interrupt 2 enable register
34 _H to 5F _H			Vacancy
60 _H to 6B _H	R/W	VRAM	Display data RAM
6C _H to 6F _H			Vacancy
70 _H	R/W	LCR1	LCD controller/driver control register 1
71 _H	R/W	LCR2	LCD controller/driver control register 2
72 _H to 7B _H			Vacancy
7C _H	W	ILR1	Interrupt level setting register 1
7D _H	W	ILR2	Interrupt level setting register 2
7E _H	W	ILR3	Interrupt level setting register 3
7F _H			Vacancy

Note: Do not use vacancies.

MB89870 Series

■ ELECTRICAL CHARACTERISTICS

1. Absolute Maximum Ratings

($AV_{SS} = V_{SS} = 0.0\text{ V}$)

Parameter	Symbol	Value		Unit	Remarks
		Min.	Max.		
Power supply voltage	V_{CC} AV_{CC}	$V_{SS} - 0.3$	$V_{SS} + 7.0$	V	*
A/D converter reference input voltage	AVR	$V_{SS} - 0.3$	$V_{SS} + 7.0$	V	
LCD power supply voltage	V0 to V3	$V_{SS} - 0.3$	$V_{SS} + 7.0$	V	V0 to V3 must not exceed V_{CC} .
Input voltage	V_I	$V_{SS} - 0.3$	$V_{CC} + 0.3$	V	
Output voltage	V_O	$V_{SS} - 0.3$	$V_{CC} + 0.3$	V	
“L” level maximum output current	I_{OL}	—	20	mA	
“L” level average output current	I_{OLAV}	—	4	mA	Average value (operating current × operating rate)
“L” level total maximum output current	ΣI_{OL}	—	100	mA	
“L” level total average output current	ΣI_{OLAV}	—	40	mA	Average value (operating current × operating rate)
“H” level maximum output current	I_{OH}	—	-20	mA	
“H” level average output current	I_{OHAV}	—	-4	mA	Average value (operating current × operating rate)
“H” level total maximum output current	ΣI_{OH}	—	-50	mA	
“H” level total average output current	ΣI_{OHAV}	—	-20	mA	Average value (operating current × operating rate)
Power consumption	P_D	—	300	mW	
Operating temperature	T_A	-40	+85	°C	
Storage temperature	T_{stg}	-55	+150	°C	

* : Use AV_{CC} and V_{CC} set at the same voltage.

Take care so that AVR does not exceed $AV_{CC} + 0.3\text{ V}$ and AV_{CC} does not exceed V_{CC} , such as when power is turned on.

WARNING: Semiconductor devices can be permanently damaged by application of stress (voltage, current, temperature, etc.) in excess of absolute maximum ratings. Do not exceed these ratings.

MB89870 Series

2. Recommended Operating Conditions

(AV_{SS} = V_{SS} = 0.0 V)

Parameter	Symbol	Value		Unit	Remarks
		Min.	Max.		
Power supply voltage	V _{CC} AV _{CC}	2.2*	6.0*	V	Normal operation assurance range* MB89875
		2.7	6.0	V	Normal operation assurance range MB89PV870/P875
		1.5	6.0	V	Retains the RAM state in stop mode
A/D converter reference input voltage	AVR	0.0	AV _{CC}	V	
LCD power supply voltage	V0 to V3	V _{SS}	V _{CC}	V	LCD power supply range (The optimum value is dependent on the LCD element in use.)
Operating temperature	T _A	-40	+85	°C	

* : These values vary with the operating frequency, instruction cycle, and analog assurance range. See Figure 1 and "5. A/D Converter Electrical Characteristics."

MB89870 Series

Figure 1 Operating Voltage vs. Main Clock Operating Frequency

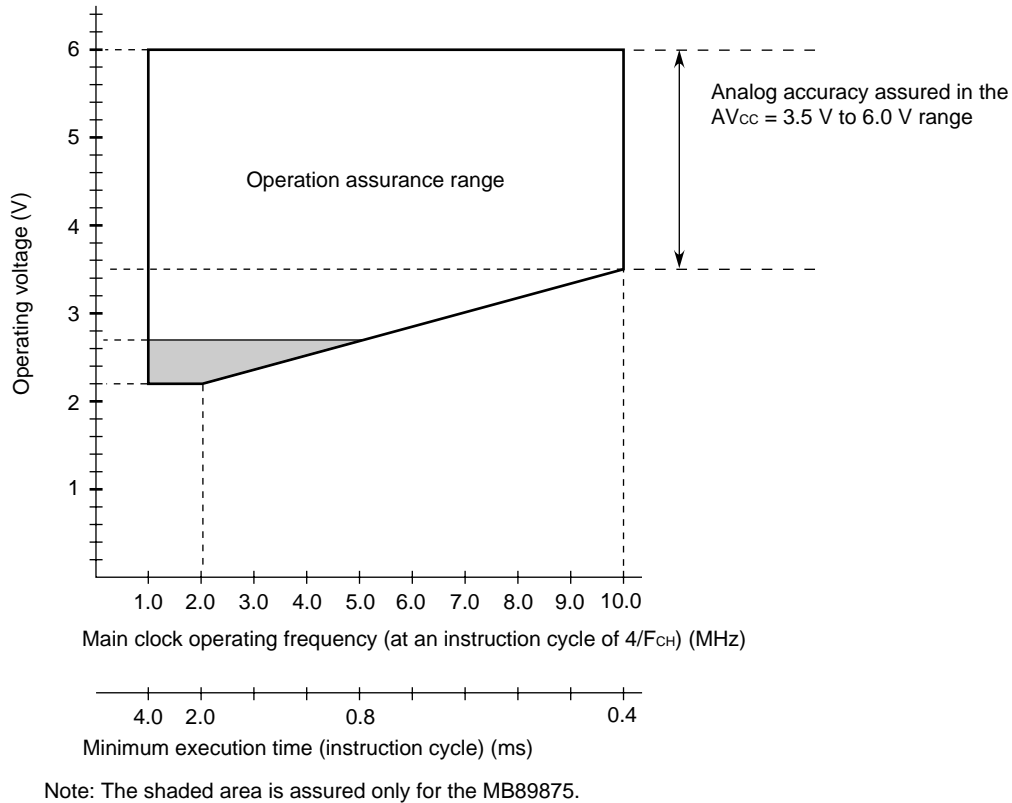


Figure 1 indicates the operating frequency of the external oscillator at an instruction cycle of $4/F_{CH}$.

Since the operating voltage range is dependent on the instruction cycle, see minimum execution time if the operating speed is switched using a gear.

WARNING: Recommended operating conditions are normal operating ranges for the semiconductor device. All the device's electrical characteristics are warranted when operated within these ranges.

Always use semiconductor devices within the recommended operating conditions. Operation outside these ranges may adversely affect reliability and could result in device failure.

No warranty is made with respect to uses, operating conditions, or combinations not represented on the data sheet. Users considering application outside the listed conditions are advised to contact their FUJITSU representative beforehand.

MB89870 Series

3. DC Characteristics

($V_{CC} = V_{CC} = 5.0\text{ V}$, $V_{SS} = V_{SS} = 0.0\text{ V}$, $T_A = -40^\circ\text{C}$ to $+85^\circ\text{C}$)

Parameter	Symbol	Pin name	Condition	Value			Unit	Remarks
				Min.	Typ.	Max.		
“H” level input voltage	V_{IH}	P20 to P24, P30 to P37, P40 to P47, P50 to P52, P54, P56	—	$0.7 V_{CC}$	—	$V_{CC} + 0.3$	V	
	V_{IHS}	P00 to P07, P10 to P17, MOD0, MOD1, \overline{RST} , P53, P55, P57	—	$0.8 V_{CC}$	—	$V_{CC} + 0.3$	V	
“L” level input voltage	V_{IL}	P20 to P24, P30 to P37, P40 to P47, P50 to P52, P54, P56	—	$V_{SS} - 0.3$	—	$0.3 V_{CC}$	V	
	V_{ILS}	P00 to P07, P10 to P17, MOD0, MOD1, \overline{RST} , P53, P55, P57	—	$V_{SS} - 0.3$	—	$0.2 V_{CC}$	V	
Open-drain output pin application voltage	V_D	P50 to P57	—	$V_{SS} - 0.3$	—	$V_{CC} - 0.3$	V	N-ch open-drain
“H” level output voltage	V_{OH}	P00 to P07, P10 to P17, P20 to P24, P30 to P37, P40 to P47, P50 to P57	$I_{OH} = -2.0\text{ mA}$	4.0	—	—	V	
“L” level output voltage	V_{OL}	P00 to P07, P10 to P17, P20 to P24, P30 to P37, P40 to P47, P50 to P57	$I_{OL} = 4.0\text{ mA}$	—	—	0.4	V	
Input leakage current (Hi-Z output leakage current)	I_{LI}	P00 to P07, P10 to P17, P20 to P24, P30 to P37, P40 to P47, P50 to P57 MOD0, MOD1, \overline{RST}	$0.0\text{ V} < V_I < V_{CC}$	—	—	± 5	μA	With pull-up resistor
Pull-up resistance	R_{PULL}	P00 to P07, P10 to P17, P20 to P24, P30 to P37, P40 to P47, P50 to P57	$V_I = 0.0\text{ V}$	25	50	100	$\text{k}\Omega$	With pull-up resistor

(Continued)

MB89870 Series

(AV_{CC} = V_{CC} = 5.0 V, AV_{SS} = V_{SS} = 0.0 V, T_A = -40°C to +85°C)

Parameter	Symbol	Pin name	Condition	Value			Unit	Remarks	
				Min.	Typ.	Max.			
Power supply current ¹	I _{CC1}	V _{CC}	F _{CH} = 10 MHz V _{CC} = 5.0 V t _{inst} ² = 0.4 μs	—	12	20	mA		
	I _{CC2}		F _{CH} = 10 MHz V _{CC} = 3.0 V t _{inst} ² = 6.4 μs	—	1.0	2	mA	MB89875/ PV870	
			—	1.5	2.5	mA	MB89P875		
	I _{CCS1}		Sleep mode	F _{CH} = 10 MHz V _{CC} = 5.0 V t _{inst} ² = 0.4 μs	—	3	7	mA	
				F _{CH} = 10 MHz V _{CC} = 3.0 V t _{inst} ² = 6.4 μs	—	0.5	1.5	mA	
	I _{CCL}		Subclock mode	F _{CL} = 32.768 kHz, V _{CC} = 3.0 V	—	50	100	μA	MB89875/ PV870
				—	500	700	μA	MB89P875	
	I _{CCLS}		Subclock sleep mode	F _{CL} = 32.768 kHz, V _{CC} = 3.0 V	—	15	50	μA	
	I _{CCt}			F _{CL} = 32.768 kHz, V _{CC} = 3.0 V • Watch mode • Main clock stop mode at dual-clock system	—	3	15	μA	
	I _{CCH}			T _A = +25°C • Subclock stop mode • Main clock stop mode at single-clock system	—	—	1	μA	
I _A	AV _{CC}	F _{CH} = 10 MHz, when A/D conversion is activated	—	1.5	3	mA			
I _{AH}		F _{CH} = 10 MHz, T _A = +25°C, when A/D conversion is stopped	—	—	1	μA			

(Continued)

MB89870 Series

(Continued)

($AV_{CC} = V_{CC} = 5.0\text{ V}$, $AV_{SS} = V_{SS} = 0.0\text{ V}$, $T_A = -40^\circ\text{C}$ to $+85^\circ\text{C}$)

Parameter	Symbol	Pin name	Condition	Value			Unit	Remarks
				Min.	Typ.	Max.		
LCD divided resistance	R_{LCD}	—	Between V_{CC} and V_0 at $V_{CC} = 5.0\text{ V}$	300	500	750	$k\Omega$	
COM0 to 3 output impedance	R_{VCOM}	COM0 to 3	V_1 to $V_3 = 5.0\text{ V}$	—	—	2.5	$k\Omega$	
SEG0 to 24 output impedance	R_{VSEG}	SEG0 to 24		—	—	15	$k\Omega$	
LCD controller/driver leakage current	I_{LCDL}	V_0 to V_3 , COM0 to 3 SEG0 to SEG24	—	—	—	± 1	μA	
Input capacitance	C_{IN}	Other than AV_{CC} , AV_{SS} , V_{CC} , and V_{SS}	$f = 1\text{ MHz}$	—	10	—	pF	

*1: The power supply current is measured at the external clock.

*2: For information on t_{inst} , see “(4) Instruction Cycle” in “4. AC Characteristics.”

Note: For pins which serve as the LCD and ports (P23, P24 and P40 to P47), see the port parameter when these pins are used as ports and the LCD parameter when they are used as LCD pins.

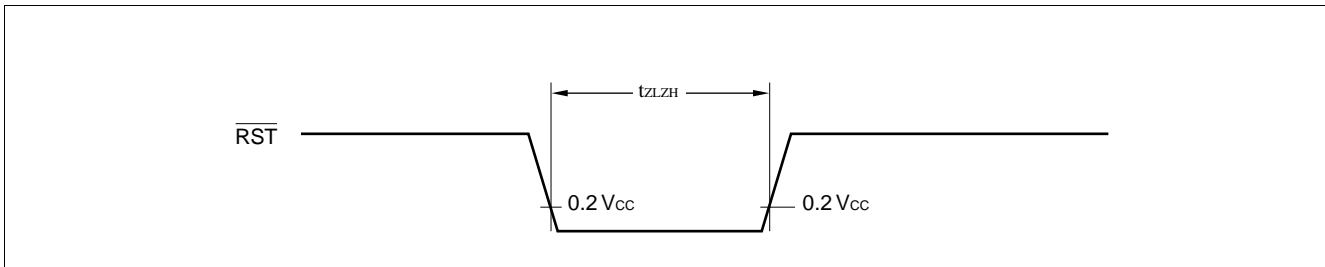
MB89870 Series

4. AC Characteristics

(1) Reset Timing

($V_{CC} = +5.0\text{ V} \pm 10\%$, $AV_{SS} = V_{SS} = 0.0\text{ V}$, $T_A = -40^\circ\text{C}$ to $+85^\circ\text{C}$)

Parameter	Symbol	Condition	Value		Unit	Remarks
			Min.	Max.		
$\overline{\text{RST}}$ "L" pulse width	t_{LZH}	—	48 t_{HCYL}	—	ns	



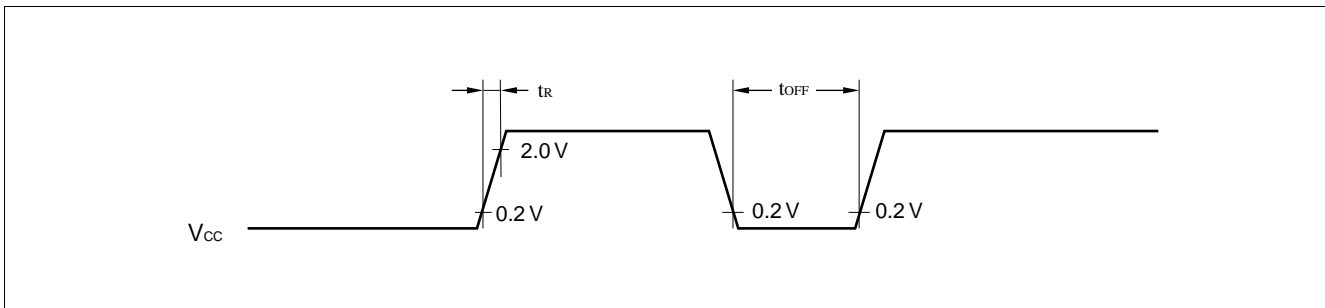
(2) Power-on Reset

($AV_{SS} = V_{SS} = 0.0\text{ V}$, $T_A = -40^\circ\text{C}$ to $+85^\circ\text{C}$)

Parameter	Symbol	Condition	Value		Unit	Remarks
			Min.	Max.		
Power supply rising time	t_r	—	—	50	ms	Power-on reset function only
Power supply cutoff time	t_{OFF}		1	—	ms	Due to repeated operations

Note: Make sure that power supply rises within the selected oscillation stabilization time.

If power supply voltage needs to be varied in the course of operation, a smooth voltage rise is recommended.



MB89870 Series

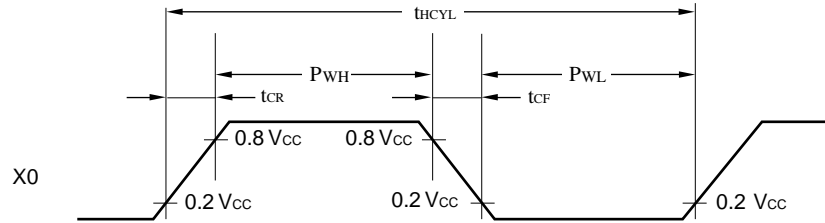
(3) Clock Timing

($V_{SS} = V_{SS} = 0.0\text{ V}$, $T_A = -40^\circ\text{C}$ to $+85^\circ\text{C}$)

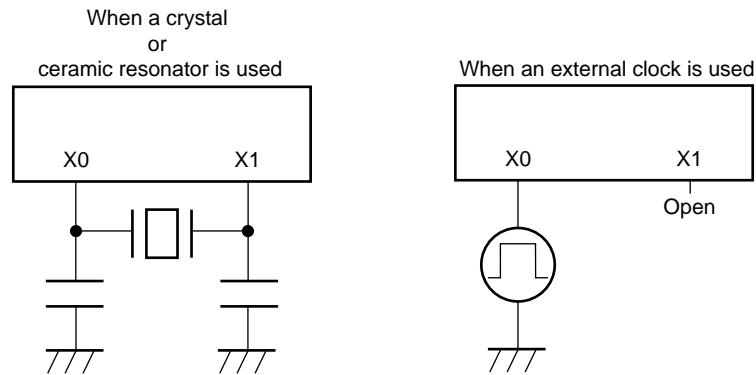
Parameter	Symbol	Pin name	Condition	Value			Unit	Remarks
				Min.	Typ.	Max.		
Clock frequency	F _{CH}	X0, X1	—	1	—	10	MHz	
	F _{CL}	X0A, X1A		—	32.768	—	kHz	
Clock cycle time	t _{H CYL}	X0, X1		100	—	1000	ns	
	t _{L CYL}	X0A, X1A		—	30.5	—	μs	
Input clock pulse width	P _{WH} P _{WL}	X0		20	—	—	ns	External clock
	t _{CR} t _{CF}	X0		—	—	10	ns	External clock

MB89870 Series

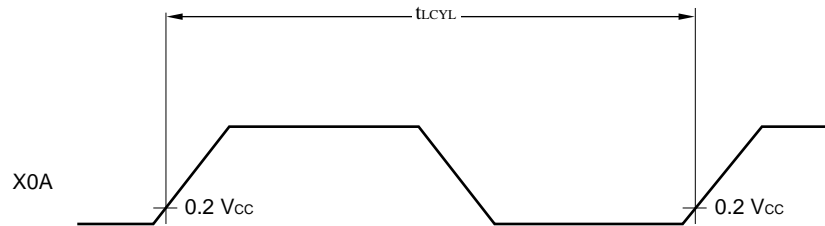
X0 and X1 Timing and Conditions



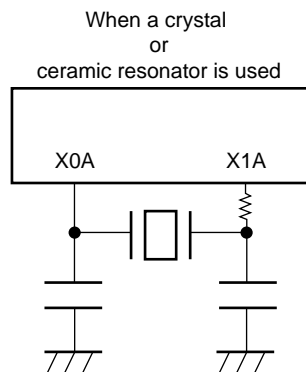
Main Clock Conditions



X0A and X1A Timing and Conditions



Subclock Conditions



MB89870 Series

(4) Instruction Cycle

Parameter	Symbol	Value (typical)	Unit	Remarks
Instruction cycle (minimum execution time)	t_{inst}	$4/F_{CH}$, $8/F_{CH}$, $16/F_{CH}$, $64/F_{CH}$	μS	$(4/F_{CH}) t_{inst} = 0.4 \mu\text{S}$ when operating at $F_{CH} = 10 \text{ MHz}$
		$2/F_{CL}$	μS	$t_{inst} = 61.036 \mu\text{S}$ when operating at $F_{CL} = 32.768 \text{ kHz}$

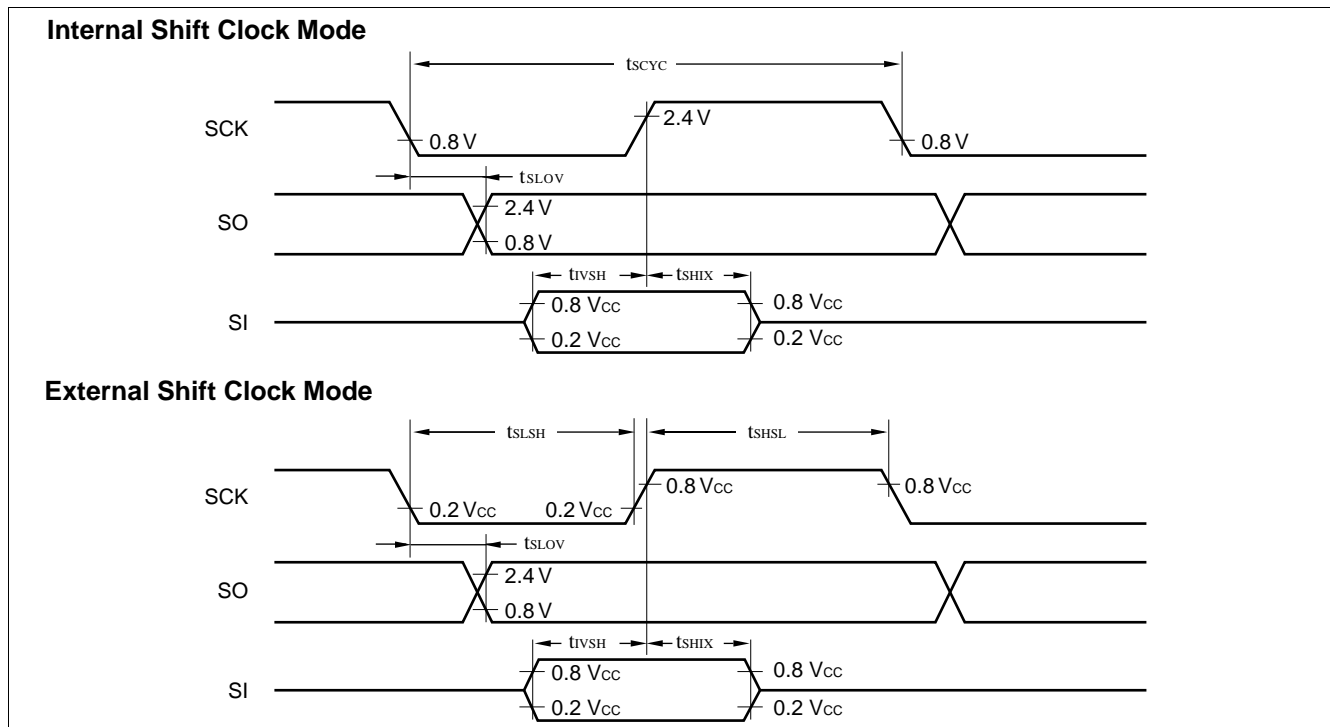
Note: When operating at 10 MHz, the cycle varies with the set execution time.

(5) Serial I/O Timing

($V_{CC} = +5.0 \text{ V} \pm 10\%$, $A_{V_{SS}} = V_{SS} = 0.0 \text{ V}$, $T_A = -40^\circ\text{C}$ to $+85^\circ\text{C}$)

Parameter	Symbol	Pin name	Condition	Value		Unit	Remarks
				Min.	Max.		
Serial clock cycle time	t_{scyc}	SCK	Internal shift clock mode	$2 t_{inst}^*$	—	μS	
SCK $\downarrow \rightarrow$ SO time	t_{sLOV}	SCK, SO		-200	200	ns	
Valid SI \rightarrow SCK \uparrow	t_{ivSH}	SI, SCK		$1/2 t_{inst}^*$	—	μS	
SCK $\uparrow \rightarrow$ valid SI hold time	t_{SHIX}	SCK, SI		$1/2 t_{inst}^*$	—	μS	
Serial clock "H" pulse width	t_{SHSL}	SCK	External shift clock mode	$1 t_{inst}^*$	—	μS	
Serial clock "L" pulse width	t_{SLSH}			$1 t_{inst}^*$	—	μS	
SCK $\downarrow \rightarrow$ SO time	t_{sLOV}	SCK, SO		0	200	ns	
Valid SI \rightarrow SCK \uparrow	t_{ivSH}	SI, SCK		$1/2 t_{inst}^*$	—	μS	
SCK $\uparrow \rightarrow$ valid SI hold time	t_{SHIX}	SCK, SI		$1/2 t_{inst}^*$	—	μS	

* : For information on t_{inst} , see "(4) Instruction Cycle."

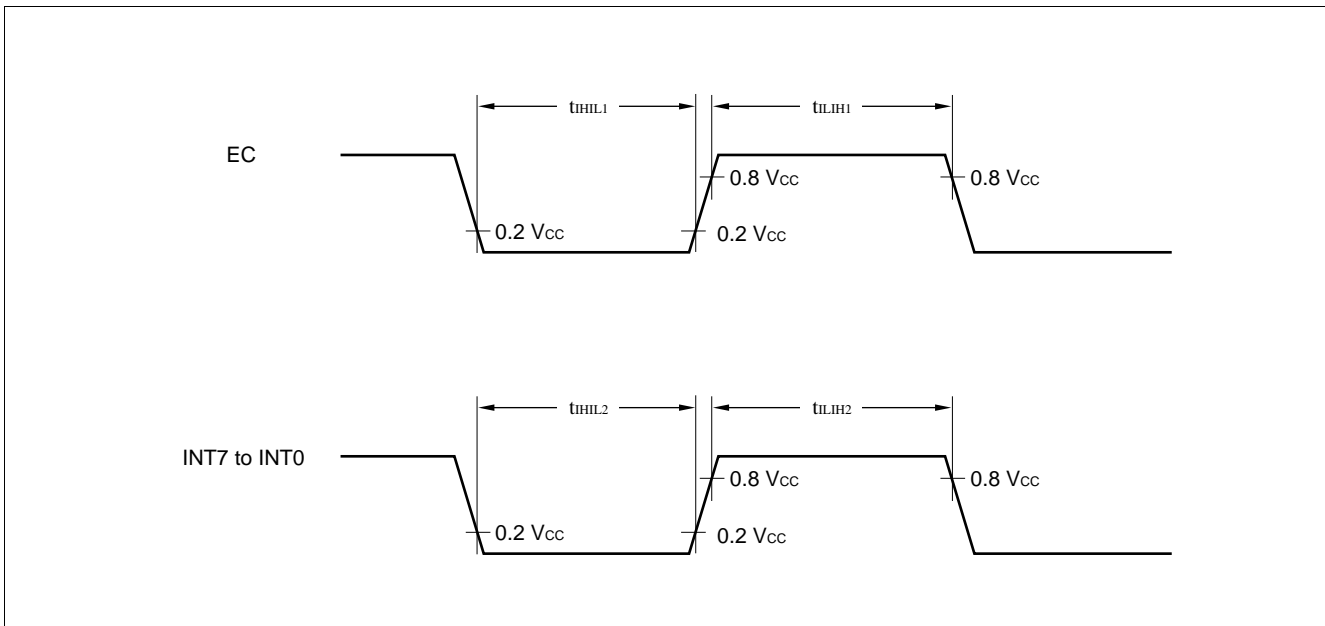


MB89870 Series

(6) Peripheral Input Timing

(V_{CC} = +5.0 V ±10%, AV_{SS} = V_{SS} = 0.0 V, T_A = -40°C to +85°C)

Parameter	Symbol	Pin name	Value		Unit	Remarks
			Min.	Max.		
Peripheral input "H" pulse width 1	t _{LIH1}	EC	1 t _{inst} *	—	μs	
Peripheral input "L" pulse width 1	t _{HL1}		1 t _{inst} *	—	μs	
Peripheral input "H" pulse width 2	t _{LIH2}	INT7 to INT0	2 t _{inst} *	—	μs	
Peripheral input "L" pulse width 2	t _{HL2}		2 t _{inst} *	—	μs	

* : For information on t_{inst}, see "(4) Instruction Cycle."

MB89870 Series

5. A/D Converter Electrical Characteristics

($AV_{CC} = V_{CC} = +3.5\text{ V to }+6.0\text{ V}$, $AV_{SS} = V_{SS} = 0.0\text{ V}$, $T_A = -40^\circ\text{C to }+85^\circ\text{C}$)

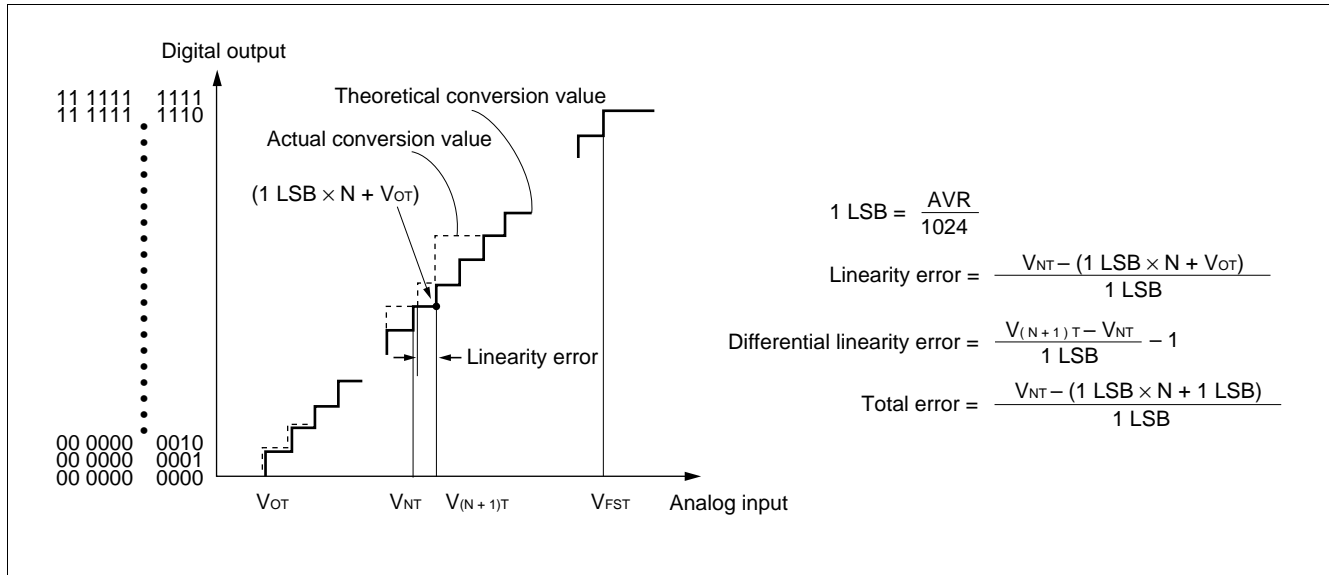
Parameter	Symbol	Pin name	Condition	Value			Unit	Remarks
				Min.	Typ.	Max.		
Resolution	—	—	—	—	—	10	bit	
Total error			—	—	± 3.0	LSB		
Linearity error			—	—	± 2.0	LSB		
Differential linearity error			—	—	± 1.5	LSB		
Zero transition voltage	V_{OT}	—	$AVR = AV_{CC}$	$AV_{SS} - 1.5\text{ LSB}$	$AV_{SS} + 0.5\text{ LSB}$	$AV_{SS} + 2.5\text{ LSB}$	mV	
Full-scale transition voltage	V_{FST}			$AVR - 3.5\text{ LSB}$	$AVR - 1.5\text{ LSB}$	$AVR + 0.5\text{ LSB}$	mV	
Interchannel disparity	—			—	—	4.0	LSB	
A/D mode conversion time	—	—	—	—	$33\ t_{inst}^*$	—	μs	
Sense mode conversion time	—			—	$18\ t_{inst}^*$	—	μs	
Analog port input current	I_{AIN}	AN0 to AN7	—	—	—	10	μA	
Analog input voltage	—	—	0.0	—	—	AVR	V	
Reference voltage	—	—	0.0	—	—	AV_{CC}	V	
Reference voltage supply current	I_R	AVR	AVR = 5.0 V, when A/D conversion is activated	—	200	—	μA	
	I_{RH}		AVR = 5.0 V, when A/D conversion is stopped	—	—	1	μA	

* : For information on t_{inst} , see “(4) Instruction Cycle” in “4. AC Characteristics.”

6. A/D Converter Glossary

- Resolution
Analog changes that are identifiable with the A/D converter
When the number of bits is 10, analog voltage can be divided into $2^{10} = 1024$.
- Linearity error (unit: LSB)
The deviation of the straight line connecting the zero transition point (“00 0000 0000” \leftrightarrow “00 0000 0001”) with the full-scale transition point (“11 1111 1111” \leftrightarrow “11 1111 1110”) from actual conversion characteristics
- Differential linearity error (unit: LSB)
The deviation of input voltage needed to change the output code by 1 LSB from the theoretical value
- Total error (unit: LSB)
The difference between theoretical and actual conversion values

MB89870 Series



7. Notes on Using A/D Converter

• Input impedance of the analog input pins

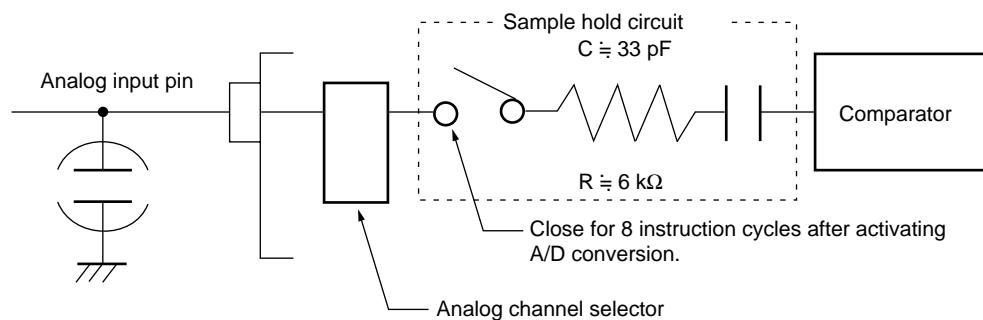
The A/D converter used for the MB89870 series contains a sample hold circuit as illustrated below to fetch analog input voltage into the sample hold capacitor for eight instruction cycles after activating A/D conversion.

For this reason, if the output impedance of the external circuit for the analog input is high, analog input voltage might not stabilize within the analog input sampling period. Therefore, it is recommended to keep the output impedance of the external circuit low (below 10 k Ω).

Note that if the impedance cannot be kept low, it is recommended to connect an external capacitor of about 0.1 μF for the analog input pin.

• Analog Input Equivalent Circuit

If the analog input impedance is higher than 10 k Ω , it is recommended to connect an external capacitor of approx. 0.1 μF .



• Error

The smaller the $|AVR - AV_{SS}|$, the greater the error would become relatively.

MB89870 Series

8. OP Amp Electrical Characteristics

(1) $AV_{CC} = 5.0\text{ V}$

($AV_{CC} = V_{CC} = 4.5\text{ V to } 5.5\text{ V}$, $AV_{SS} = V_{SS} = 0.0\text{ V}$, $T_A = -40^\circ\text{C to } +85^\circ\text{C}$)

Parameter	Symbol	Pin name	Condition	Value			Unit	Remarks
				Min.	Typ.	Max.		
I/O voltage range	—	IN0± to IN3±	—	$0.5 V_{CC} - 1.25$	$0.5 V_{CC}$	$0.5 V_{CC} + 1.25$	V	
Minimum load resistance	—	—	—	100	—	—	kΩ	
Maximum load resistance	—	—	—	—	—	100	pF	
Offset voltage	—	—	—	-10	0	+10	mV	
Gain-bandwidth production	—	—	—	—	1.8	—	MHz	
DC gain	—	—	—	—	75	—	dB	
Slew rate	—	—	—	—	0.9	—	V/μs	

(2) $AV_{CC} = 3.0\text{ V}$

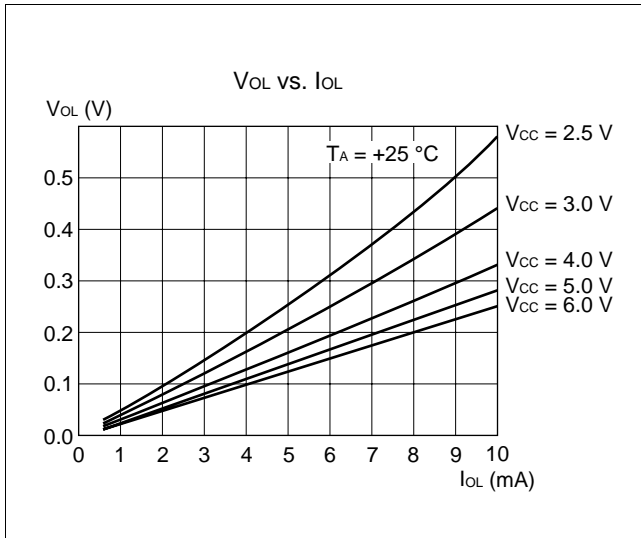
($AV_{CC} = V_{CC} = 2.7\text{ V to } 3.3\text{ V}$, $AV_{SS} = V_{SS} = 0.0\text{ V}$, $T_A = -40^\circ\text{C to } +85^\circ\text{C}$)

Parameter	Symbol	Pin name	Condition	Value			Unit	Remarks
				Min.	Typ.	Max.		
I/O voltage range	—	IN0± to IN3±	—	0.5	$0.5 V_{CC} - 0.35$	$V_{CC} - 1.20$	V	
Minimum load resistance	—	—	—	250	—	—	kΩ	
Maximum load resistance	—	—	—	—	—	100	μA	
Offset voltage	—	—	—	-10	0	+10	mV	
Gain-bandwidth production	—	—	—	—	0.5	—	MHz	
DC gain	—	—	—	—	75	—	dB	
Slew rate	—	—	—	—	0.1	—	V/μs	

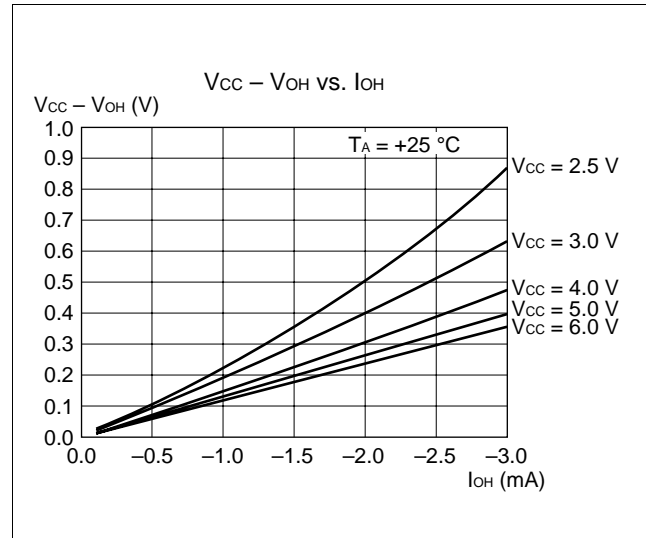
MB89870 Series

EXAMPLE CHARACTERISTICS

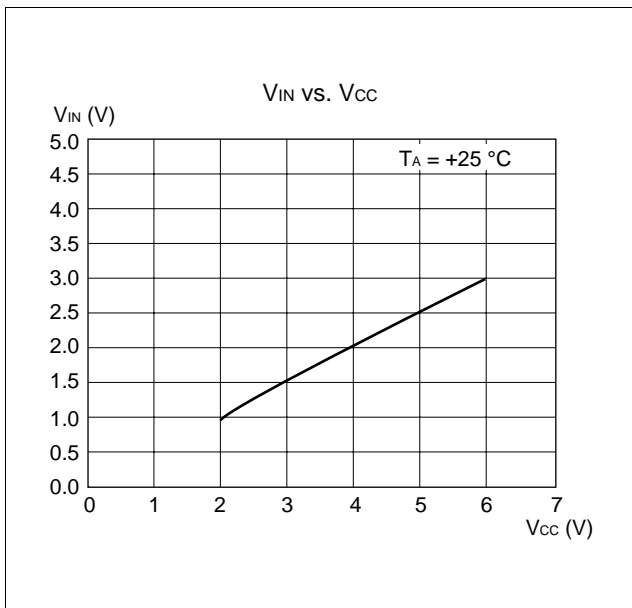
(1) "L" Level Output Voltage



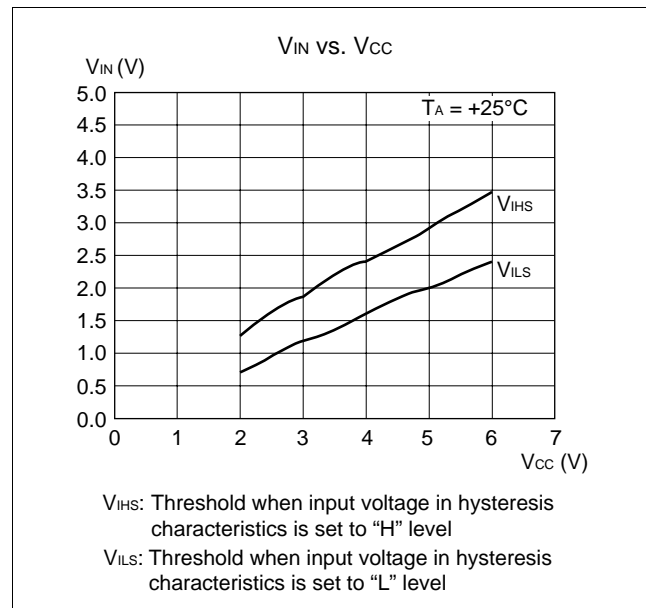
(2) "H" Level Output Voltage



(3) "H" Level Input Voltage/"L" Level Input Voltage (CMOS Input)

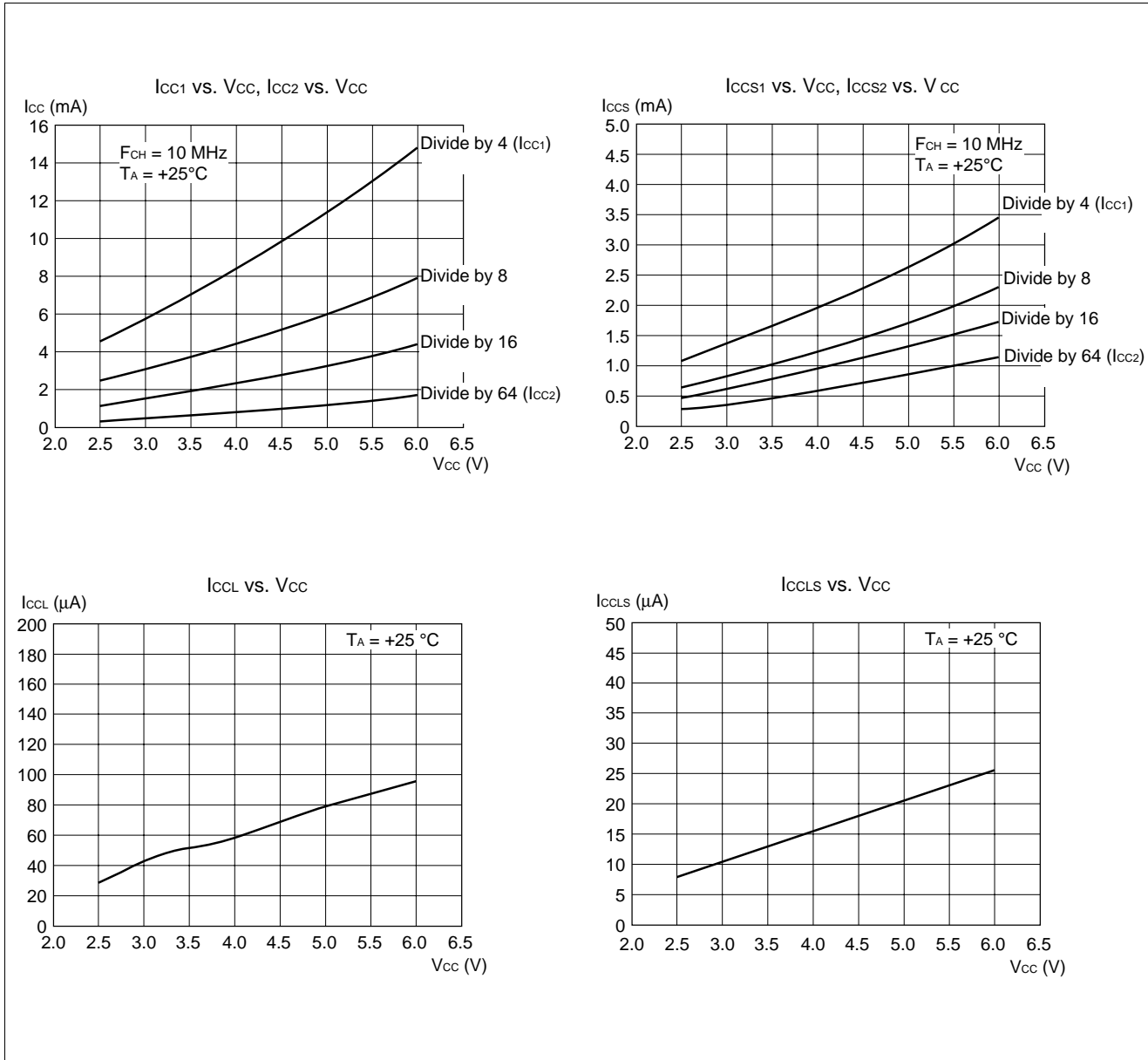


(4) "H" Level Input Voltage/"L" Level Input Voltage (Hysteresis Input)



MB89870 Series

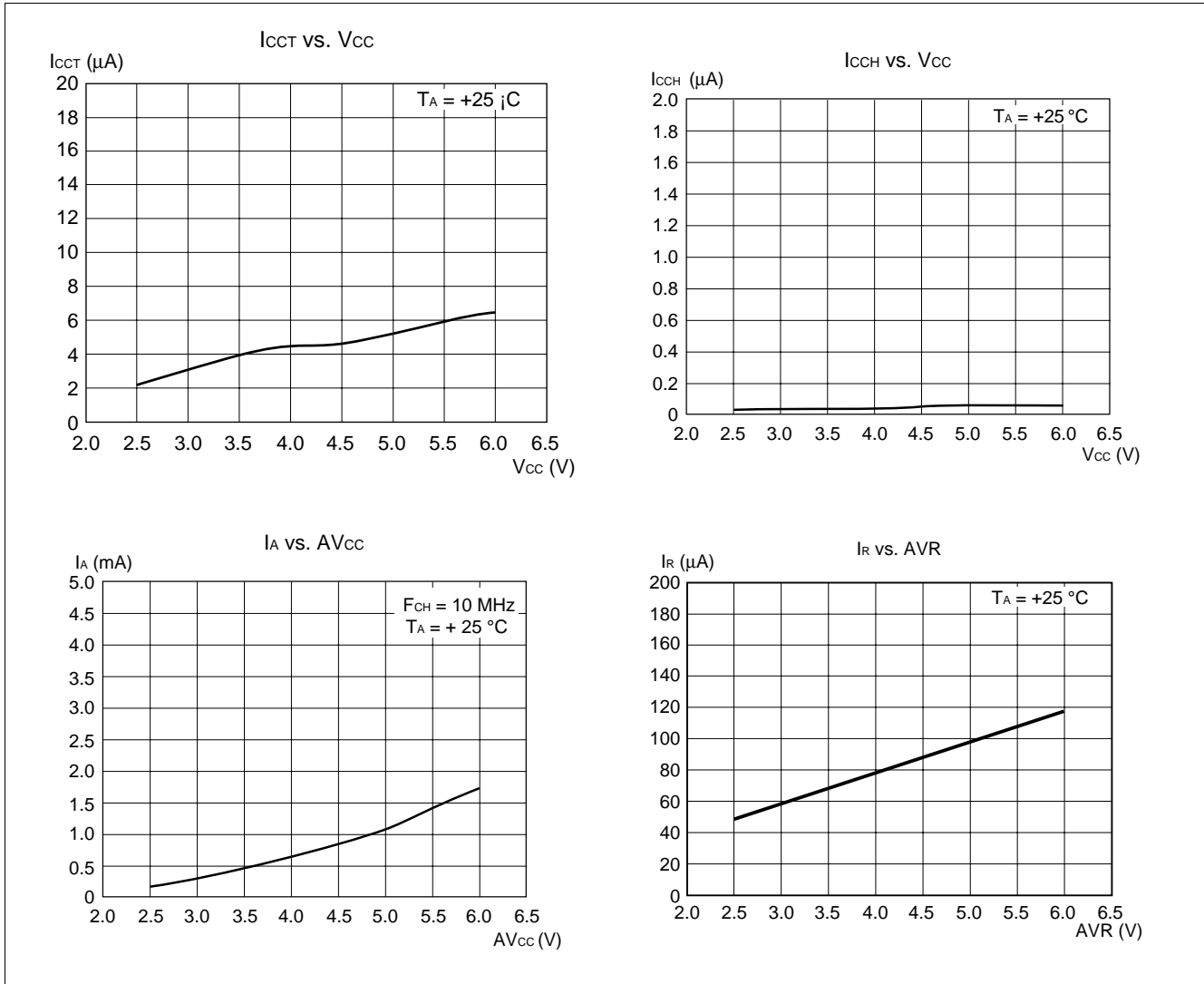
(5) Power Supply Current (External Clock)



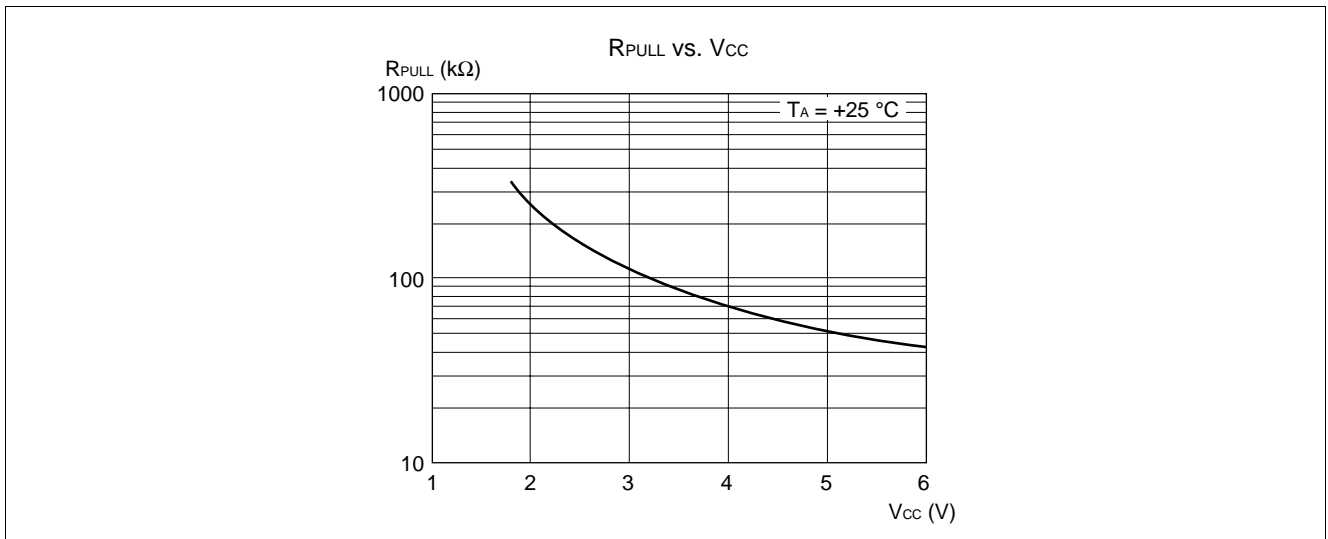
(Continued)

MB89870 Series

(Continued)



(6) Pull-up Resistance



MB89870 Series

■ INSTRUCTIONS (136 INSTRUCTIONS)

Execution instructions can be divided into the following four groups:

- Transfer
- Arithmetic operation
- Branch
- Others

Table 1 lists symbols used for notation of instructions.

Table 1 Instruction Symbols

Symbol	Meaning
dir	Direct address (8 bits)
off	Offset (8 bits)
ext	Extended address (16 bits)
#vct	Vector table number (3 bits)
#d8	Immediate data (8 bits)
#d16	Immediate data (16 bits)
dir: b	Bit direct address (8:3 bits)
rel	Branch relative address (8 bits)
@	Register indirect (Example: @A, @IX, @EP)
A	Accumulator A (Whether its length is 8 or 16 bits is determined by the instruction in use.)
AH	Upper 8 bits of accumulator A (8 bits)
AL	Lower 8 bits of accumulator A (8 bits)
T	Temporary accumulator T (Whether its length is 8 or 16 bits is determined by the instruction in use.)
TH	Upper 8 bits of temporary accumulator T (8 bits)
TL	Lower 8 bits of temporary accumulator T (8 bits)
IX	Index register IX (16 bits)
EP	Extra pointer EP (16 bits)
PC	Program counter PC (16 bits)
SP	Stack pointer SP (16 bits)
PS	Program status PS (16 bits)
dr	Accumulator A or index register IX (16 bits)
CCR	Condition code register CCR (8 bits)
RP	Register bank pointer RP (5 bits)
Ri	General-purpose register Ri (8 bits, i = 0 to 7)
×	Indicates that the very × is the immediate data. (Whether its length is 8 or 16 bits is determined by the instruction in use.)
(×)	Indicates that the contents of × is the target of accessing. (Whether its length is 8 or 16 bits is determined by the instruction in use.)
((×))	The address indicated by the contents of × is the target of accessing. (Whether its length is 8 or 16 bits is determined by the instruction in use.)

MB89870 Series

Columns indicate the following:

Mnemonic:	Assembler notation of an instruction
~:	The number of instructions
#:	The number of bytes
Operation:	Operation of an instruction
TL, TH, AH:	<p>A content change when each of the TL, TH, and AH instructions is executed. Symbols in the column indicate the following:</p> <ul style="list-style-type: none">• “-” indicates no change.• dH is the 8 upper bits of operation description data.• AL and AH must become the contents of AL and AH prior to the instruction executed.• 00 becomes 00.
N, Z, V, C:	An instruction of which the corresponding flag will change. If + is written in this column, the relevant instruction will change its corresponding flag.
OP code:	<p>Code of an instruction. If an instruction is more than one code, it is written according to the following rule:</p> <p>Example: 48 to 4F ← This indicates 48, 49, ... 4F.</p>

MB89870 Series

Table 2 Transfer Instructions (48 instructions)

Mnemonic	~	#	Operation	TL	TH	AH	NZVC	OP code
MOV dir,A	3	2	(dir) ← (A)	-	-	-	----	45
MOV @IX +off,A	4	2	((IX) +off) ← (A)	-	-	-	----	46
MOV ext,A	4	3	(ext) ← (A)	-	-	-	----	61
MOV @EP,A	3	1	((EP)) ← (A)	-	-	-	----	47
MOV Ri,A	3	1	(Ri) ← (A)	-	-	-	----	48 to 4F
MOV A,#d8	2	2	(A) ← d8	AL	-	-	++--	04
MOV A,dir	3	2	(A) ← (dir)	AL	-	-	++--	05
MOV A,@IX +off	4	2	(A) ← ((IX) +off)	AL	-	-	++--	06
MOV A,ext	4	3	(A) ← (ext)	AL	-	-	++--	60
MOV A,@A	3	1	(A) ← ((A))	AL	-	-	++--	92
MOV A,@EP	3	1	(A) ← ((EP))	AL	-	-	++--	07
MOV A,Ri	3	1	(A) ← (Ri)	AL	-	-	++--	08 to 0F
MOV dir,#d8	4	3	(dir) ← d8	-	-	-	----	85
MOV @IX +off,#d8	5	3	((IX) +off) ← d8	-	-	-	----	86
MOV @EP,#d8	4	2	((EP)) ← d8	-	-	-	----	87
MOV Ri,#d8	4	2	(Ri) ← d8	-	-	-	----	88 to 8F
MOVW dir,A	4	2	(dir) ← (AH),(dir + 1) ← (AL)	-	-	-	----	D5
MOVW @IX +off,A	5	2	((IX) +off) ← (AH), ((IX) +off + 1) ← (AL)	-	-	-	----	D6
MOVW ext,A	5	3	(ext) ← (AH), (ext + 1) ← (AL)	-	-	-	----	D4
MOVW @EP,A	4	1	((EP)) ← (AH),(EP + 1) ← (AL)	-	-	-	----	D7
MOVW EP,A	2	1	(EP) ← (A)	-	-	-	----	E3
MOVW A,#d16	3	3	(A) ← d16	AL	AH	dH	++--	E4
MOVW A,dir	4	2	(AH) ← (dir), (AL) ← (dir + 1)	AL	AH	dH	++--	C5
MOVW A,@IX +off	5	2	(AH) ← ((IX) +off), (AL) ← ((IX) +off + 1)	AL	AH	dH	++--	C6
MOVW A,ext	5	3	(AH) ← (ext), (AL) ← (ext + 1)	AL	AH	dH	++--	C4
MOVW A,@A	4	1	(AH) ← ((A)), (AL) ← ((A) + 1)	AL	AH	dH	++--	93
MOVW A,@EP	4	1	(AH) ← ((EP)), (AL) ← ((EP) + 1)	AL	AH	dH	++--	C7
MOVW A,EP	2	1	(A) ← (EP)	-	-	dH	----	F3
MOVW EP,#d16	3	3	(EP) ← d16	-	-	-	----	E7
MOVW IX,A	2	1	(IX) ← (A)	-	-	-	----	E2
MOVW A,IX	2	1	(A) ← (IX)	-	-	dH	----	F2
MOVW SP,A	2	1	(SP) ← (A)	-	-	-	----	E1
MOVW A,SP	2	1	(A) ← (SP)	-	-	dH	----	F1
MOV @A,T	3	1	((A)) ← (T)	-	-	-	----	82
MOVW @A,T	4	1	((A)) ← (TH),(A + 1) ← (TL)	-	-	-	----	83
MOVW IX,#d16	3	3	(IX) ← d16	-	-	-	----	E6
MOVW A,PS	2	1	(A) ← (PS)	-	-	dH	----	70
MOVW PS,A	2	1	(PS) ← (A)	-	-	-	++++	71
MOVW SP,#d16	3	3	(SP) ← d16	-	-	-	----	E5
SWAP	2	1	(AH) ↔ (AL)	-	-	AL	----	10
SETB dir: b	4	2	(dir): b ← 1	-	-	-	----	A8 to AF
CLRB dir: b	4	2	(dir): b ← 0	-	-	-	----	A0 to A7
XCH A,T	2	1	(AL) ↔ (TL)	AL	-	-	----	42
XCHW A,T	3	1	(A) ↔ (T)	AL	AH	dH	----	43
XCHW A,EP	3	1	(A) ↔ (EP)	-	-	dH	----	F7
XCHW A,IX	3	1	(A) ↔ (IX)	-	-	dH	----	F6
XCHW A,SP	3	1	(A) ↔ (SP)	-	-	dH	----	F5
MOVW A,PC	2	1	(A) ← (PC)	-	-	dH	----	F0

Notes: • During byte transfer to A, T ← A is restricted to low bytes.

- Operands in more than one operand instruction must be stored in the order in which their mnemonics are written. (Reverse arrangement of F²MC-8 family)

MB89870 Series

Table 3 Arithmetic Operation Instructions (62 instructions)

Mnemonic	~	#	Operation	TL	TH	AH	NZVC	OP code
ADDC A,Ri	3	1	$(A) \leftarrow (A) + (Ri) + C$	-	-	-	++++	28 to 2F
ADDC A,#d8	2	2	$(A) \leftarrow (A) + d8 + C$	-	-	-	++++	24
ADDC A,dir	3	2	$(A) \leftarrow (A) + (dir) + C$	-	-	-	++++	25
ADDC A,@IX +off	4	2	$(A) \leftarrow (A) + ((IX) + off) + C$	-	-	-	++++	26
ADDC A,@EP	3	1	$(A) \leftarrow (A) + ((EP)) + C$	-	-	-	++++	27
ADDCW A	3	1	$(A) \leftarrow (A) + (T) + C$	-	-	dH	++++	23
ADDC A	2	1	$(AL) \leftarrow (AL) + (TL) + C$	-	-	-	++++	22
SUBC A,Ri	3	1	$(A) \leftarrow (A) - (Ri) - C$	-	-	-	++++	38 to 3F
SUBC A,#d8	2	2	$(A) \leftarrow (A) - d8 - C$	-	-	-	++++	34
SUBC A,dir	3	2	$(A) \leftarrow (A) - (dir) - C$	-	-	-	++++	35
SUBC A,@IX +off	4	2	$(A) \leftarrow (A) - ((IX) + off) - C$	-	-	-	++++	36
SUBC A,@EP	3	1	$(A) \leftarrow (A) - ((EP)) - C$	-	-	-	++++	37
SUBCW A	3	1	$(A) \leftarrow (T) - (A) - C$	-	-	dH	++++	33
SUBC A	2	1	$(AL) \leftarrow (TL) - (AL) - C$	-	-	-	++++	32
INC Ri	4	1	$(Ri) \leftarrow (Ri) + 1$	-	-	-	+++-	C8 to CF
INCW EP	3	1	$(EP) \leftarrow (EP) + 1$	-	-	-	----	C3
INCW IX	3	1	$(IX) \leftarrow (IX) + 1$	-	-	-	----	C2
INCW A	3	1	$(A) \leftarrow (A) + 1$	-	-	dH	+- - -	C0
DEC Ri	4	1	$(Ri) \leftarrow (Ri) - 1$	-	-	-	+++-	D8 to DF
DECW EP	3	1	$(EP) \leftarrow (EP) - 1$	-	-	-	----	D3
DECW IX	3	1	$(IX) \leftarrow (IX) - 1$	-	-	-	----	D2
DECW A	3	1	$(A) \leftarrow (A) - 1$	-	-	dH	+- - -	D0
MULU A	19	1	$(A) \leftarrow (AL) \times (TL)$	-	-	dH	----	01
DIVU A	21	1	$(A) \leftarrow (T) / (AL), MOD \rightarrow (T)$	dL	00	00	----	11
ANDW A	3	1	$(A) \leftarrow (A) \wedge (T)$	-	-	dH	++R-	63
ORW A	3	1	$(A) \leftarrow (A) \vee (T)$	-	-	dH	++R-	73
XORW A	3	1	$(A) \leftarrow (A) \nabla (T)$	-	-	dH	++R-	53
CMP A	2	1	$(TL) - (AL)$	-	-	-	++++	12
CMPW A	3	1	$(T) - (A)$	-	-	-	++++	13
RORC A	2	1	$\rightarrow C \rightarrow A$	-	-	-	++-+	03
ROLC A	2	1	$\leftarrow C \leftarrow A$	-	-	-	++-+	02
CMP A,#d8	2	2	$(A) - d8$	-	-	-	++++	14
CMP A,dir	3	2	$(A) - (dir)$	-	-	-	++++	15
CMP A,@EP	3	1	$(A) - ((EP))$	-	-	-	++++	17
CMP A,@IX +off	4	2	$(A) - ((IX) + off)$	-	-	-	++++	16
CMP A,Ri	3	1	$(A) - (Ri)$	-	-	-	++++	18 to 1F
DAA	2	1	Decimal adjust for addition	-	-	-	++++	84
DAS	2	1	Decimal adjust for subtraction	-	-	-	++++	94
XOR A	2	1	$(A) \leftarrow (AL) \nabla (TL)$	-	-	-	++R-	52
XOR A,#d8	2	2	$(A) \leftarrow (AL) \nabla d8$	-	-	-	++R-	54
XOR A,dir	3	2	$(A) \leftarrow (AL) \nabla (dir)$	-	-	-	++R-	55
XOR A,@EP	3	1	$(A) \leftarrow (AL) \nabla ((EP))$	-	-	-	++R-	57
XOR A,@IX +off	4	2	$(A) \leftarrow (AL) \nabla ((IX) + off)$	-	-	-	++R-	56
XOR A,Ri	3	1	$(A) \leftarrow (AL) \nabla (Ri)$	-	-	-	++R-	58 to 5F
AND A	2	1	$(A) \leftarrow (AL) \wedge (TL)$	-	-	-	++R-	62
AND A,#d8	2	2	$(A) \leftarrow (AL) \wedge d8$	-	-	-	++R-	64
AND A,dir	3	2	$(A) \leftarrow (AL) \wedge (dir)$	-	-	-	++R-	65

(Continued)

MB89870 Series

(Continued)

Mnemonic	~	#	Operation	TL	TH	AH	NZVC	OP code
AND A,@EP	3	1	$(A) \leftarrow (AL) \wedge ((EP))$	-	-	-	++R-	67
AND A,@IX +off	4	2	$(A) \leftarrow (AL) \wedge ((IX) +off)$	-	-	-	++R-	66
AND A,Ri	3	1	$(A) \leftarrow (AL) \wedge (Ri)$	-	-	-	++R-	68 to 6F
OR A	2	1	$(A) \leftarrow (AL) \vee (TL)$	-	-	-	++R-	72
OR A,#d8	2	2	$(A) \leftarrow (AL) \vee d8$	-	-	-	++R-	74
OR A,dir	3	2	$(A) \leftarrow (AL) \vee (dir)$	-	-	-	++R-	75
OR A,@EP	3	1	$(A) \leftarrow (AL) \vee ((EP))$	-	-	-	++R-	77
OR A,@IX +off	4	2	$(A) \leftarrow (AL) \vee ((IX) +off)$	-	-	-	++R-	76
OR A,Ri	3	1	$(A) \leftarrow (AL) \vee (Ri)$	-	-	-	++R-	78 to 7F
CMP dir,#d8	5	3	$(dir) - d8$	-	-	-	++++	95
CMP @EP,#d8	4	2	$((EP)) - d8$	-	-	-	++++	97
CMP @IX +off,#d8	5	3	$((IX) +off) - d8$	-	-	-	++++	96
CMP Ri,#d8	4	2	$(Ri) - d8$	-	-	-	++++	98 to 9F
INCW SP	3	1	$(SP) \leftarrow (SP) + 1$	-	-	-	----	C1
DECW SP	3	1	$(SP) \leftarrow (SP) - 1$	-	-	-	----	D1

Table 4 Branch Instructions (17 instructions)

Mnemonic	~	#	Operation	TL	TH	AH	NZVC	OP code
BZ/BEQ rel	3	2	If $Z = 1$ then $PC \leftarrow PC + rel$	-	-	-	----	FD
BNZ/BNE rel	3	2	If $Z = 0$ then $PC \leftarrow PC + rel$	-	-	-	----	FC
BC/BLO rel	3	2	If $C = 1$ then $PC \leftarrow PC + rel$	-	-	-	----	F9
BNC/BHS rel	3	2	If $C = 0$ then $PC \leftarrow PC + rel$	-	-	-	----	F8
BN rel	3	2	If $N = 1$ then $PC \leftarrow PC + rel$	-	-	-	----	FB
BP rel	3	2	If $N = 0$ then $PC \leftarrow PC + rel$	-	-	-	----	FA
BLT rel	3	2	If $V \vee N = 1$ then $PC \leftarrow PC + rel$	-	-	-	----	FF
BGE rel	3	2	If $V \vee N = 0$ then $PC \leftarrow PC + rel$	-	-	-	----	FE
BBC dir: b,rel	5	3	If $(dir: b) = 0$ then $PC \leftarrow PC + rel$	-	-	-	--+--	B0 to B7
BBS dir: b,rel	5	3	If $(dir: b) = 1$ then $PC \leftarrow PC + rel$	-	-	-	--+--	B8 to BF
JMP @A	2	1	$(PC) \leftarrow (A)$	-	-	-	----	E0
JMP ext	3	3	$(PC) \leftarrow ext$	-	-	-	----	21
CALLV #vct	6	1	Vector call	-	-	-	----	E8 to EF
CALL ext	6	3	Subroutine call	-	-	-	----	31
XCHW A,PC	3	1	$(PC) \leftarrow (A), (A) \leftarrow (PC) + 1$	-	-	dH	----	F4
RET	4	1	Return from subroutine	-	-	-	----	20
RETI	6	1	Return form interrupt	-	-	-	Restore	30

Table 5 Other Instructions (9 instructions)

Mnemonic	~	#	Operation	TL	TH	AH	NZVC	OP code
PUSHW A	4	1		-	-	-	----	40
POPW A	4	1		-	-	dH	----	50
PUSHW IX	4	1		-	-	-	----	41
POPW IX	4	1		-	-	-	----	51
NOP	1	1		-	-	-	----	00
CLRC	1	1		-	-	-	----R	81
SETC	1	1		-	-	-	----S	91
CLRI	1	1		-	-	-	----	80
SETI	1	1		-	-	-	----	90

MB89870 Series

■ INSTRUCTION MAP

L	H	0	1	2	3	4	5	6	7	8	9	A	B	C	D	E	F
0	NOP	SWAP	RET	RETI	PUSHW A	PUSHW A	POPW A	MOV A,ext	MOVW A,PS	CLR I	SETI	CLRB dir: 0	BBC dir: 0,rel	INCW A	DECW A	JMP @A	MOVW A,PC
1	MULU A	DIVU A	JMP addr16	CALL addr16	PUSHW IX	PUSHW IX	POPW PS,A	MOV ext,A	MOVW PS,A	CLRC	SETC	CLRB dir: 1	BBC dir: 1,rel	INCW SP	DECW SP	MOVW SP,A	MOVW A,SP
2	ROL A	CMP A	ADDC A	SUBC A	XCH A,T	XCH A,T	XOR A	AND A	OR A	MOV @A,T	MOV A,@A	CLRB dir: 2	BBC dir: 2,rel	INCW IX	DECW IX	MOVW IX,A	MOVW A,IX
3	RORC A	CMPW A	ADDCW A	SUBCW A	XCHW A,T	XCHW A,T	XORW A	ANDW A	ORW A	MOVW @A,T	MOVW A,@A	CLRB dir: 3	BBC dir: 3,rel	INCW EP	DECW EP	MOVW EP,A	MOVW A,EP
4	MOV A,#d8	CMP A,#d8	ADDC A,#d8	SUBC A,#d8	XOR A,#d8	XOR A,#d8	AND A,#d8	AND A,#d8	OR A,#d8	DAA	DAS	CLRB dir: 4	BBC dir: 4,rel	MOVW A,ext	MOVW ext,A	MOVW A,#d16	XCHW A,PC
5	MOV A,dir	CMP A,dir	ADDC A,dir	SUBC A,dir	XOR A,dir	XOR A,dir	AND A,dir	AND A,dir	OR A,dir	MOV dir,#d8	CMP dir,#d8	CLRB dir: 5	BBC dir: 5,rel	MOVW A,dir	MOVW dir,A	MOVW SP,#d16	XCHW A,SP
6	MOV A,@IX +d	CMP A,@IX +d	ADDC A,@IX +d	SUBC A,@IX +d	XOR A,@IX +d	XOR A,@IX +d	AND A,@IX +d	AND A,@IX +d	OR A,@IX +d	MOV @IX +d,#d8	CMP @IX +d,#d8	CLRB dir: 6	BBC dir: 6,rel	MOVW A,@IX +d	MOVW @IX +d,A	MOVW IX,#d16	XCHW A,IX
7	MOV A,@EP	CMP A,@EP	ADDC A,@EP	SUBC A,@EP	XOR A,@EP	XOR A,@EP	AND A,@EP	AND A,@EP	OR A,@EP	MOV @EP,#d8	CMP @EP,#d8	CLRB dir: 7	BBC dir: 7,rel	MOVW A,@EP	MOVW @EP,A	MOVW EP,#d16	XCHW A,EP
8	MOV A,R0	CMP A,R0	ADDC A,R0	SUBC A,R0	MOV R0,A	MOV R0,A	XOR A,R0	AND A,R0	OR A,R0	MOV R0,#d8	CMP R0,#d8	SETB dir: 0	BBS dir: 0,rel	INC R0	DEC R0	CALLV #0	BNC rel
9	MOV A,R1	CMP A,R1	ADDC A,R1	SUBC A,R1	MOV R1,A	MOV R1,A	XOR A,R1	AND A,R1	OR A,R1	MOV R1,#d8	CMP R1,#d8	SETB dir: 1	BBS dir: 1,rel	INC R1	DEC R1	CALLV #1	BC rel
A	MOV A,R2	CMP A,R2	ADDC A,R2	SUBC A,R2	MOV R2,A	MOV R2,A	XOR A,R2	AND A,R2	OR A,R2	MOV R2,#d8	CMP R2,#d8	SETB dir: 2	BBS dir: 2,rel	INC R2	DEC R2	CALLV #2	BP rel
B	MOV A,R3	CMP A,R3	ADDC A,R3	SUBC A,R3	MOV R3,A	MOV R3,A	XOR A,R3	AND A,R3	OR A,R3	MOV R3,#d8	CMP R3,#d8	SETB dir: 3	BBS dir: 3,rel	INC R3	DEC R3	CALLV #3	BN rel
C	MOV A,R4	CMP A,R4	ADDC A,R4	SUBC A,R4	MOV R4,A	MOV R4,A	XOR A,R4	AND A,R4	OR A,R4	MOV R4,#d8	CMP R4,#d8	SETB dir: 4	BBS dir: 4,rel	INC R4	DEC R4	CALLV #4	BNZ rel
D	MOV A,R5	CMP A,R5	ADDC A,R5	SUBC A,R5	MOV R5,A	MOV R5,A	XOR A,R5	AND A,R5	OR A,R5	MOV R5,#d8	CMP R5,#d8	SETB dir: 5	BBS dir: 5,rel	INC R5	DEC R5	CALLV #5	BZ rel
E	MOV A,R6	CMP A,R6	ADDC A,R6	SUBC A,R6	MOV R6,A	MOV R6,A	XOR A,R6	AND A,R6	OR A,R6	MOV R6,#d8	CMP R6,#d8	SETB dir: 6	BBS dir: 6,rel	INC R6	DEC R6	CALLV #6	BGE rel
F	MOV A,R7	CMP A,R7	ADDC A,R7	SUBC A,R7	MOV R7,A	MOV R7,A	XOR A,R7	AND A,R7	OR A,R7	MOV R7,#d8	CMP R7,#d8	SETB dir: 7	BBS dir: 7,rel	INC R7	DEC R7	CALLV #7	BLT rel

MB89870 Series

■ MASK OPTIONS

No.	Part number	MB89875	MB89P875	MB89PV870
	Specifying procedure	Specify when ordering masking	Set with EPROM programmer	Setting not possible
1	Pull-up resistors P00 to P07, P10 to P17, P20 to P24, P30 to P37, P40 to P47, P50 to P57	Specify by pin (in 2-pin unit for P10 to P17, and in 4-pin unit for P40 to P47)	Specify by pin (in 2-pin unit for P10 to P17, and in 4-pin unit for P40 to P47)	Fixed to without pull-up resistor
2	Power-on reset selection With power-on reset Without power-on reset	Selectable	Selectable	Fixed to with power-on reset
3	Selection of the oscillation stabilization time initial value $2^{18}/F_{CH}$ (Approx. 26.2 ms) $2^{17}/F_{CH}$ (Approx. 13.1 ms) $2^{13}/F_{CH}$ (Approx. 0.8 ms) $2^4/F_{CH}$ (Approx. 0 ms)	Selectable	Selectable	Fixed to $2^{18}/F_{CH}$ (Approx. 26.2 ms)
4	Selection either single- or dual-clock system Single clock Dual Clock	Selectable	Selectable	Fixed to dual-clock system
5	Reset pin output With reset output Without reset output	Selectable	Selectable	Fixed to with reset output

- Notes:
- Reset is input asynchronized with the internal clock whether with or without power-on reset.
 - P30 to P37 should be set to without pull-up resistor when an A/D converter is used.
 - P10 to P17, P34 to P37 should be set to without pull-up resistor when an OP amp is used.
 - P40 to P47 and P23 and P24 should be set to without pull-up resistor when an LCD controller/driver is used.

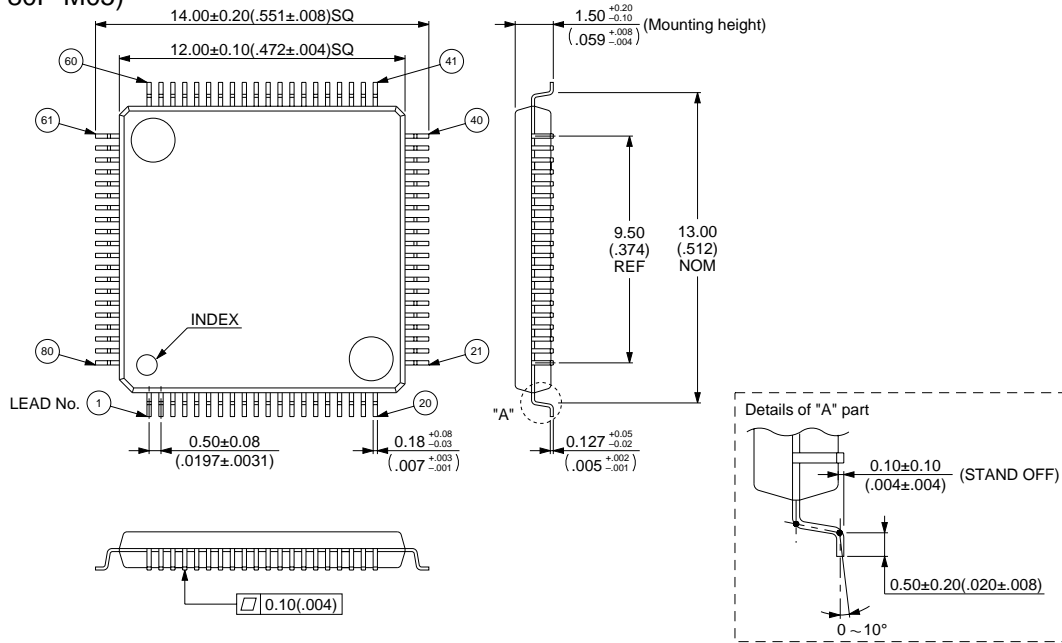
■ ORDERING INFORMATION

Part number	Package	Remarks
MB89875PFV MB89P875PFV	80-pin Plastic LQFP (FPT-80P-M05)	
MB89875PF MB89P875PF	80-pin Plastic QFP (FPT-80P-M06)	
MB89PV870CF	80-pin Ceramic MQFP (MQP-80C-P01)	

MB89870 Series

PACKAGE DIMENSIONS

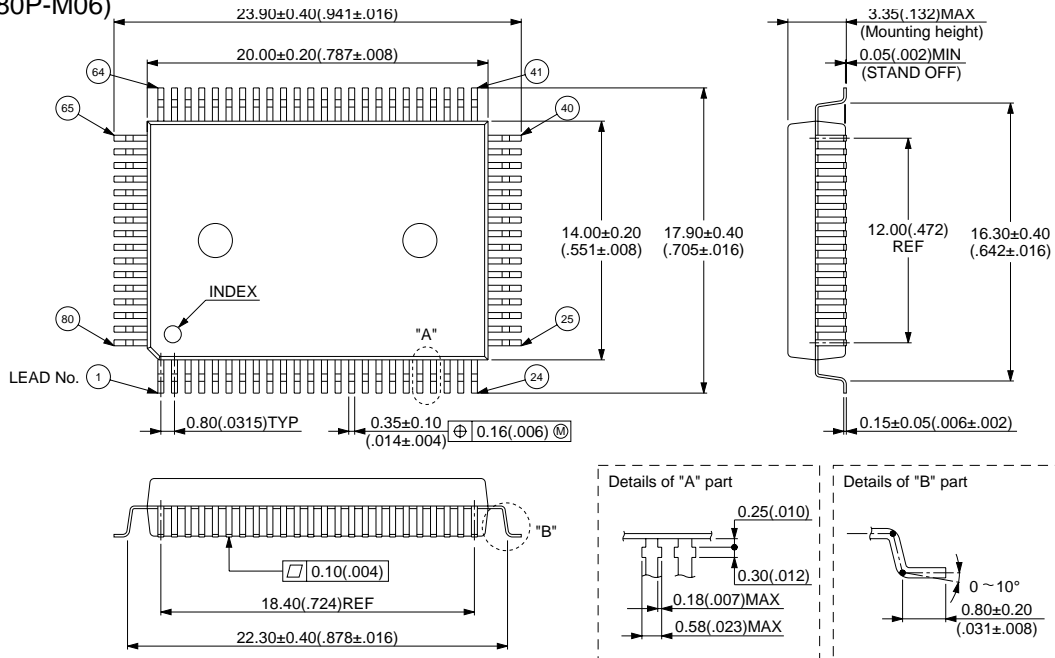
80-pin Plastic LQFP
(FPT-80P-M05)



© 1995 FUJITSU LIMITED F80008S-2C-5

Dimensions in mm (inches)

80-pin Plastic QFP
(FPT-80P-M06)

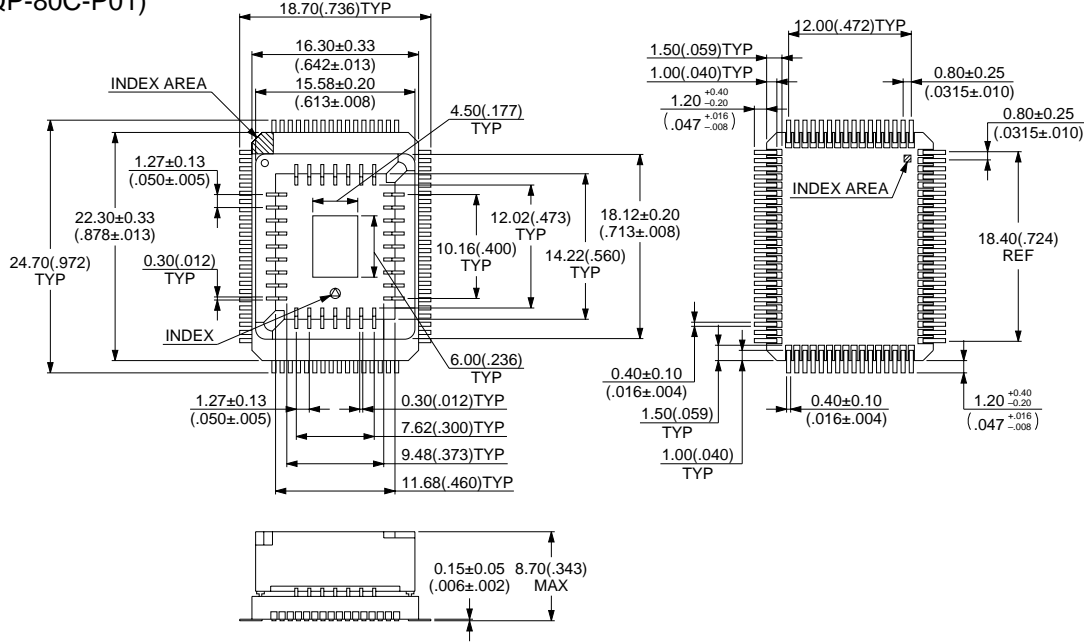


© 1994 FUJITSU LIMITED F80010S-3C-2

Dimensions in mm (inches)

MB89870 Series

80-pin Ceramic MQFP
(MQP-80C-P01)



© 1994 FUJITSU LIMITED M80001SC-4-2

Dimensions in mm (inches)

MB89870 Series**FUJITSU LIMITED**

For further information please contact:

Japan

FUJITSU LIMITED
Corporate Global Business Support Division
Electronic Devices
KAWASAKI PLANT, 4-1-1, Kamikodanaka
Nakahara-ku, Kawasaki-shi
Kanagawa 211-8588, Japan
Tel: 81(44) 754-3763
Fax: 81(44) 754-3329

<http://www.fujitsu.co.jp/>

North and South America

FUJITSU MICROELECTRONICS, INC.
Semiconductor Division
3545 North First Street
San Jose, CA 95134-1804, USA
Tel: (408) 922-9000
Fax: (408) 922-9179

Customer Response Center
Mon. - Fri.: 7 am - 5 pm (PST)
Tel: (800) 866-8608
Fax: (408) 922-9179

<http://www.fujitsumicro.com/>

Europe

FUJITSU MIKROELEKTRONIK GmbH
Am Siebenstein 6-10
D-63303 Dreieich-Buchsschlag
Germany
Tel: (06103) 690-0
Fax: (06103) 690-122

<http://www.fujitsu-edc.com/>

Asia Pacific

FUJITSU MICROELECTRONICS ASIA PTE LTD
#05-08, 151 Lorong Chuan
New Tech Park
Singapore 556741
Tel: (65) 281-0770
Fax: (65) 281-0220

<http://www.fmap.com.sg/>

F9812

© FUJITSU LIMITED Printed in Japan

All Rights Reserved.

The contents of this document are subject to change without notice. Customers are advised to consult with FUJITSU sales representatives before ordering.

The information and circuit diagrams in this document are presented as examples of semiconductor device applications, and are not intended to be incorporated in devices for actual use. Also, FUJITSU is unable to assume responsibility for infringement of any patent rights or other rights of third parties arising from the use of this information or circuit diagrams.

FUJITSU semiconductor devices are intended for use in standard applications (computers, office automation and other office equipment, industrial, communications, and measurement equipment, personal or household devices, etc.).

CAUTION:

Customers considering the use of our products in special applications where failure or abnormal operation may directly affect human lives or cause physical injury or property damage, or where extremely high levels of reliability are demanded (such as aerospace systems, atomic energy controls, sea floor repeaters, vehicle operating controls, medical devices for life support, etc.) are requested to consult with FUJITSU sales representatives before such use. The company will not be responsible for damages arising from such use without prior approval.

Any semiconductor devices have an inherent chance of failure. You must protect against injury, damage or loss from such failures by incorporating safety design measures into your facility and equipment such as redundancy, fire protection, and prevention of over-current levels and other abnormal operating conditions.

If any products described in this document represent goods or technologies subject to certain restrictions on export under the Foreign Exchange and Foreign Trade Law of Japan, the prior authorization by Japanese government will be required for export of those products from Japan.