

MCP (Multi-Chip Package) FLASH MEMORY

CMOS

8M (× 8/× 16) FLASH MEMORY & 8M (× 8/× 16) FLASH MEMORY

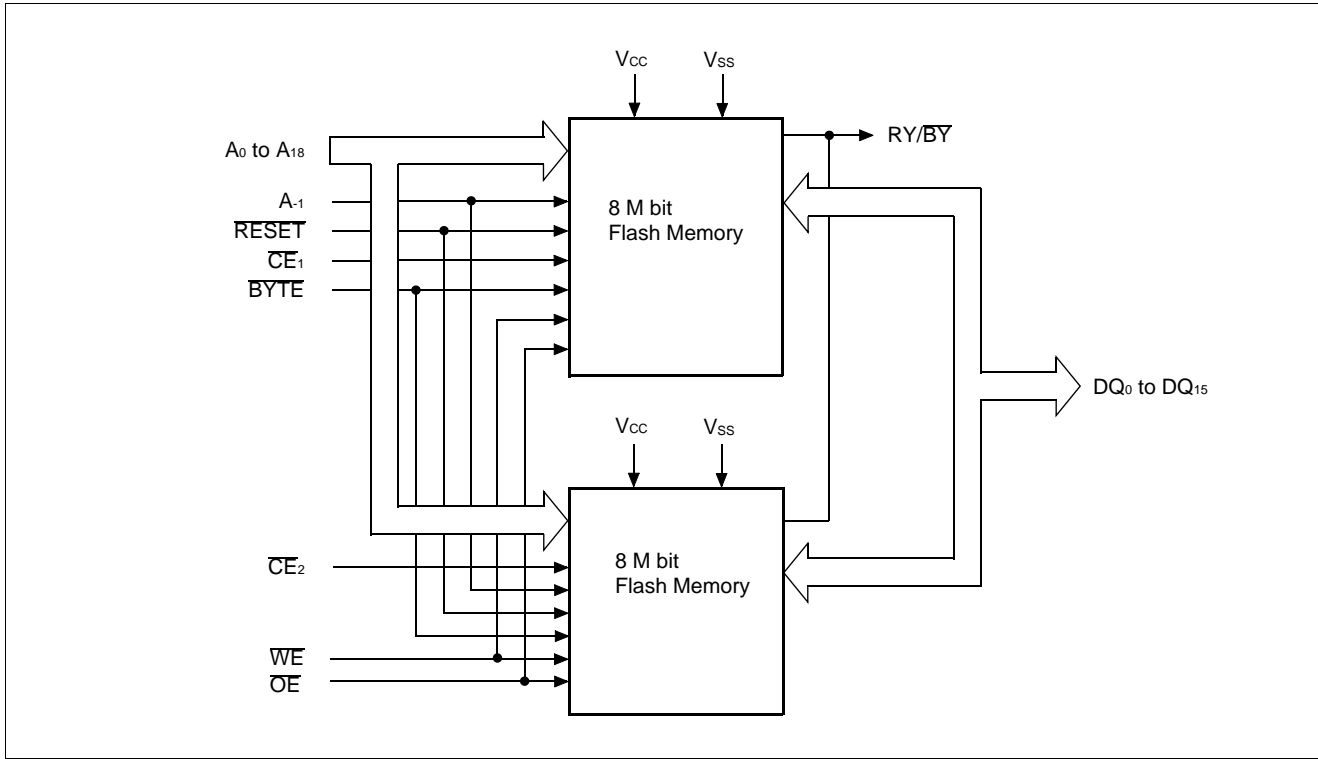
MB84VB2000-10/MB84VB2001-10

■ FEATURES

- Contain 2 chips of MBM29LV800A, and each chip have separate \overline{CE} .
- Power supply voltage of 2.7 to 3.6 V
- High performance
100 ns maximum access time
- Operating Temperature
-40 to +85°C
- Minimum 100,000 write/erase cycles
- Sector erase architecture
One 16 K byte, two 8 K bytes, one 32 K byte, and fifteen 64 K bytes × 2 chips
Any combination of sectors can be concurrently erased. Also supports full chip erase.
- Boot Code Sector Architecture
MB84VB2000: Top sector
MB84VB2001: Bottom sector
- Embedded Erase™ Algorithms
Automatically pre-programs and erases the chip or any sector
- Embedded Program™ Algorithms
Automatically writes and verifies data at specified address
- Data Polling and Toggle Bit feature for detection of program or erase cycle completion
- Ready/Busy output (RY/BY)
Hardware method for detection of program or erase cycle completion
- Automatic sleep mode
When addresses remain stable, automatically switch themselves to low power mode.
- Low V_{cc} write inhibit ≤ 2.5 V
- Erase Suspend/Resume
Suspends the erase operation to allow a read data in another sector within the same device
- Please refer to "MBM29LV800TA/BA" data sheet in detailed function

MB84VB2000-10/MB84VB2001-10

■ BLOCK DIAGRAM



MB84VB2000-10/MB84VB2001-10

■ CONNECTION DIAGRAM

(Top View)

	A	B	C	D	E	F	G	H
6	N.C.	V _{SS}	DQ ₁	A ₁	A ₂	A ₄	N.C.	A ₉
5	A ₁₀	DQ ₅	DQ ₂	A ₀	A ₃	A ₇	RY/BY	A ₁₄
4	\overline{OE}	DQ ₇	DQ ₄	DQ ₀	A ₆	A ₁₈	RESET	A ₁₅
3	A ₁₁	A ₈	A ₅	DQ ₈	DQ ₃	DQ ₁₂	A ₁₂	BYTE
2	A ₁₃	A ₁₇	\overline{CE}_2	\overline{CE}_1	DQ ₁₀	V _{CC}	DQ ₆	DQ ₁₅ /A ₋₁
1	\overline{WE}	N.C.	A ₁₆	V _{SS}	DQ ₉	DQ ₁₁	DQ ₁₃	DQ ₁₄

Table 1 MB84VB2000/MB84VB2001 Pin Configuration

Pin	Function	Input/ Output
A ₋₁ , A ₀ to A ₁₈	Address Inputs (Common)	I
DQ ₀ to DQ ₁₅	Data Inputs/Outputs (Common)	I/O
\overline{CE}_1	Chip Enable 1	I
\overline{CE}_2	Chip Enable 2	I
\overline{OE}	Output Enable (Common)	I
\overline{WE}	Write Enable (Common)	I
RY/BY	Ready/Busy Outputs (Common)	O
RESET	Hardware Reset Pin/Sector Protection Unlock (Common)	I
BYTE	Selects 8-bit or 16-bit mode (Common)	I
N.C.	No Internal Connection	—
V _{SS}	Device Ground (Common)	Power
V _{CC}	Device Power Supply (Common)	Power


MB84VB2000-10/MB84VB2001-10

■ PRODUCT LINE UP

Part No.		MB84VB2000/MB84VB2001
Ordering Part No.	$V_{CC} = 3.0\text{ V}$ ^{+0.6 V} _{-0.3 V}	-10
Max. Address Access Time (ns)		100
Max. \overline{CE} Access Time (ns)		100
Max. \overline{OE} Access Time (ns)		40


■ LOGIC SYMBOL

Table 2 MB84VB2000/MB84VB2001 User Bus Operations (BYTE = V_{IH})

Operation (5)	\overline{CE}_1	\overline{CE}_2	\overline{OE}	\overline{WE}	A ₀	A ₁	A ₆	A ₉	DQ ₀ to DQ ₁₅	RESET
Auto-Select Manufacture's Code (1)	H	L	L	H	L	L	L	V_{ID}	Code	H
	L	H								
Auto-Select Device Code (1)	H	L	L	H	H	L	L	V_{ID}	Code	H
	L	H								
Read (3)	H	L	L	H	A ₀	A ₁	A ₆	A ₉	D _{OUT}	H
	L	H								
Full Standby	H	H	X	X	X	X	X	X	HIGH-Z	H
Output Disable	X	X	H	H	X	X	X	X	HIGH-Z	H
Write (Program/Erase)	H	L	H	L	A ₀	A ₁	A ₆	A ₉	D _{IN}	H
	L	H								
Enable Sector Protection (2), (4)	H	L	V_{ID}		L	H	L	V_{ID}	X	H
	L	H								
Verify Sector Protection (2), (4)	H	L	L	H	L	H	L	V_{ID}	Code	H
	L	H								
Temporary Sector Unprotection	X	X	X	X	X	X	X	X	X	V_{ID}
Reset (Hardware)/Standby	X	X	X	X	X	X	X	X	HIGH-Z	L

MB84VB2000-10/MB84VB2001-10

Table 3 MB84VB2000/MB84VB2001 User Bus Operations (BYTE = V_{IL})

Operation (5)	\overline{CE}_1	\overline{CE}_2	\overline{OE}	\overline{WE}	DQ ₁₅ / A ₋₁	A ₀	A ₁	A ₆	A ₉	DQ ₀ to DQ ₇	RESET
Auto-Select Manufacture's Code (1)	H	L	L	H	L	L	L	L	V _{ID}	Code	H
	L	H									
Auto-Select Device Code (1)	H	L	L	H	L	H	L	L	V _{ID}	Code	H
	L	H									
Read (3)	H	L	L	H	A ₋₁	A ₀	A ₁	A ₆	A ₉	D _{OUT}	H
	L	H									
Full Standby	H	H	X	X	X	X	X	X	X	HIGH-Z	H
Output Disable	X	X	H	H	X	X	X	X	X	HIGH-Z	H
Write (Program/Erase)	H	L	H	L	A ₋₁	A ₀	A ₁	A ₆	A ₉	D _{IN}	H
	L	H									
Enable Sector Protection (2), (4)	H	L	V _{ID}		L	L	H	L	V _{ID}	X	H
	L	H									
Verify Sector Protection (2), (4)	H	L	L	H	L	L	H	L	V _{ID}	Code	H
	L	H									
Temporary Sector Unprotection	X	X	X	X	X	X	X	X	X	X	V _{ID}
Reset (Hardware)/Standby	X	X	X	X	X	X	X	X	X	HIGH-Z	L

Legend: L = V_{IL}, H = V_{IH}, X = V_{IL} or V_{IH},  = Pulse input. See DC Characteristics for voltage levels.

Notes: 1.Manufacturer and device codes may also be accessed via a command register write sequence. See Table 7.

2.Refer to the section on Sector Protection.

3. \overline{WE} can be V_{IL} if \overline{OE} is V_{IL}, \overline{OE} at V_{IH} initiates the write operations.

4.V_{CC} = 3.3 V ±10%

5.Do not apply $\overline{CE}_1 = \overline{CE}_2 = V_{IL}$ at a time.

MB84VB2000-10/MB84VB2001-10

■ FLEXIBLE SECTOR-ERASE ARCHITECTURE

- One 16 K byte, two 8 K bytes, one 32 K byte, and fifteen 64 K bytes × 2.
- Individual-sector, multiple-sector, or bulk-erase capability.

	(×8)	(×16)		(×8)	(×16)
16K byte/8K word	FFFFFH	7FFFFH	64K byte/32K word	FFFFFH	7FFFFH
8K byte/4K word	FC000H	7E000H	64K byte/32K word	F0000H	78000H
8K byte/4K word	FA000H	7D000H	64K byte/32K word	E0000H	70000H
32K byte/16K word	F8000H	7C000H	64K byte/32K word	D0000H	68000H
64K byte/32K word	F0000H	78000H	64K byte/32K word	C0000H	60000H
64K byte/32K word	E0000H	70000H	64K byte/32K word	B0000H	58000H
64K byte/32K word	D0000H	68000H	64K byte/32K word	A0000H	50000H
64K byte/32K word	C0000H	60000H	64K byte/32K word	90000H	48000H
64K byte/32K word	B0000H	58000H	64K byte/32K word	80000H	40000H
64K byte/32K word	A0000H	50000H	64K byte/32K word	70000H	38000H
64K byte/32K word	90000H	48000H	64K byte/32K word	60000H	30000H
64K byte/32K word	80000H	40000H	64K byte/32K word	50000H	28000H
64K byte/32K word	70000H	38000H	64K byte/32K word	40000H	20000H
64K byte/32K word	60000H	30000H	64K byte/32K word	30000H	18000H
64K byte/32K word	50000H	28000H	64K byte/32K word	20000H	10000H
64K byte/32K word	40000H	20000H	64K byte/32K word	10000H	08000H
64K byte/32K word	30000H	18000H	32K byte/16K word	08000H	04000H
64K byte/32K word	20000H	10000H	8K byte/4K word	06000H	03000H
64K byte/32K word	10000H	08000H	8K byte/4K word	04000H	02000H
64K byte/32K word	00000H	00000H	16K byte/8K word	00000H	00000H

MB84VB2000 Sector Architecture

MB84VB2001 Sector Architecture

MB84VB2000-10/MB84VB2001-10

■ FUNCTIONAL DESCRIPTION

Table 4 Sector Address Tables (MB84VB2000)

Sector Address	A ₁₈	A ₁₇	A ₁₆	A ₁₅	A ₁₄	A ₁₃	A ₁₂	Address Range (×8)	Address Range (×16)
SA0	0	0	0	0	X	X	X	00000H to 0FFFFH	00000H to 07FFFH
SA1	0	0	0	1	X	X	X	10000H to 1FFFFH	08000H to 0FFFFH
SA2	0	0	1	0	X	X	X	20000H to 2FFFFH	10000H to 17FFFH
SA3	0	0	1	1	X	X	X	30000H to 3FFFFH	18000H to 1FFFFH
SA4	0	1	0	0	X	X	X	40000H to 4FFFFH	20000H to 27FFFH
SA5	0	1	0	1	X	X	X	50000H to 5FFFFH	28000H to 2FFFFH
SA6	0	1	1	0	X	X	X	60000H to 6FFFFH	30000H to 37FFFH
SA7	0	1	1	1	X	X	X	70000H to 7FFFFH	38000H to 3FFFFH
SA8	1	0	0	0	X	X	X	80000H to 8FFFFH	40000H to 47FFFH
SA9	1	0	0	1	X	X	X	90000H to 9FFFFH	48000H to 4FFFFH
SA10	1	0	1	0	X	X	X	A0000H to AFFFFH	50000H to 57FFFH
SA11	1	0	1	1	X	X	X	B0000H to BFFFFH	58000H to 5FFFFH
SA12	1	1	0	0	X	X	X	C0000H to CFFFFH	60000H to 67FFFH
SA13	1	1	0	1	X	X	X	D0000H to DFFFFH	68000H to 6FFFFH
SA14	1	1	1	0	X	X	X	E0000H to EFFFFH	70000H to 77FFFH
SA15	1	1	1	1	0	X	X	F0000H to F7FFFH	78000H to 7BFFFH
SA16	1	1	1	1	1	0	0	F8000H to F9FFFH	7C000H to 7CFFFH
SA17	1	1	1	1	1	0	1	FA000H to FBFFFH	7D000H to 7DFFFH
SA18	1	1	1	1	1	1	X	FC000H to FFFFFH	7E000H to 7FFFFH

MB84VB2000-10/MB84VB2001-10

Table 5 Sector Address Tables (MB84VB2001)

Sector Address	A ₁₈	A ₁₇	A ₁₆	A ₁₅	A ₁₄	A ₁₃	A ₁₂	Address Range (×8)	Address Range (×16)
SA0	0	0	0	0	0	0	X	00000H to 03FFFFH	00000H to 01FFFFH
SA1	0	0	0	0	0	1	0	04000H to 05FFFFH	02000H to 02FFFFH
SA2	0	0	0	0	0	1	1	06000H to 07FFFFH	03000H to 03FFFFH
SA3	0	0	0	0	1	X	X	08000H to 0FFFFH	04000H to 07FFFFH
SA4	0	0	0	1	X	X	X	10000H to 1FFFFH	08000H to 0FFFFH
SA5	0	0	1	0	X	X	X	20000H to 2FFFFH	10000H to 17FFFFH
SA6	0	0	1	1	X	X	X	30000H to 3FFFFH	18000H to 1FFFFH
SA7	0	1	0	0	X	X	X	40000H to 4FFFFH	20000H to 27FFFFH
SA8	0	1	0	1	X	X	X	50000H to 5FFFFH	28000H to 2FFFFH
SA9	0	1	1	0	X	X	X	60000H to 6FFFFH	30000H to 37FFFFH
SA10	0	1	1	1	X	X	X	70000H to 7FFFFH	38000H to 3FFFFH
SA11	1	0	0	0	X	X	X	80000H to 8FFFFH	40000H to 47FFFFH
SA12	1	0	0	1	X	X	X	90000H to 9FFFFH	48000H to 4FFFFH
SA13	1	0	1	0	X	X	X	A0000H to AFFFFH	50000H to 57FFFFH
SA14	1	0	1	1	X	X	X	B0000H to BFFFFH	58000H to 5FFFFH
SA15	1	1	0	0	X	X	X	C0000H to CFFFFH	60000H to 67FFFFH
SA16	1	1	0	1	X	X	X	D0000H to DFFFFH	68000H to 6FFFFH
SA17	1	1	1	0	X	X	X	E0000H to EFFFFH	70000H to 77FFFFH
SA18	1	1	1	1	X	X	X	F0000H to FFFFFH	78000H to 7FFFFH

MB84VB2000-10/MB84VB2001-10

Table 6.1 Flash Memory Autoselect Codes

Type		A ₆	A ₁	A ₀	A ₋₁ ^{*1}	Code (HEX)
Manufacture's Code		V _{IL}	V _{IL}	V _{IL}	V _{IL}	04H
Device Code	MB84VB2000	Byte	V _{IL}	V _{IL}	V _{IL}	DAH
		Word			X	22DAH
	MB84VB2001	Byte	V _{IL}	V _{IL}	V _{IL}	5BH
		Word			X	225BH

*1: A₋₁ is for Byte mode.

Table 6.2 Expanded Autoselect Code Table

Type		Code	DQ ₁₅	DQ ₁₄	DQ ₁₃	DQ ₁₂	DQ ₁₁	DQ ₁₀	DQ ₉	DQ ₈	DQ ₇	DQ ₆	DQ ₅	DQ ₄	DQ ₃	DQ ₂	DQ ₁	DQ ₀	
Manufacture's Code		04H	A ₋₁ /0	0	0	0	0	0	0	0	0	0	0	0	0	1	0	0	
Device Code	MB84VB2000	(B)	DAH	A ₋₁	HI-Z	HI-Z	HI-Z	HI-Z	HI-Z	HI-Z	1	1	0	1	1	0	1	0	
		(W)	22DAH	0	0	1	0	0	0	1	0	1	1	0	1	1	0	1	0
	MB84VB2001	(B)	5BH	A ₋₁	HI-Z	HI-Z	HI-Z	HI-Z	HI-Z	HI-Z	0	1	0	1	1	0	1	1	1
		(W)	225BH	0	0	1	0	0	0	1	0	0	1	0	1	1	0	1	1

(B): Byte mode

(W): Word mode

MB84VB2000-10/MB84VB2001-10

Table 7 Flash Memory Command Definitions

Command Sequence	Bus Write Cycles Req'd	First Bus Write Cycle		Second Bus Write Cycle		Third Bus Write Cycle		Fourth Bus Read/Write Cycle		Fifth Bus Write Cycle		Sixth Bus Write Cycle	
		Addr.	Data	Addr.	Data	Addr.	Data	Addr.	Data	Addr.	Data	Addr.	Data
Read/Reset	1	XXXH	F0H	—	—	—	—	—	—	—	—	—	—
Read/Reset	3	555H	AAH	2AAH	55H	555H	F0H	RA	RD	—	—	—	—
		AAAH		555H		AAAH							
Autoselect	3	555H	AAH	2AAH	55H	555H	90H	—	—	—	—	—	—
		AAAH		555H		AAAH							
Program	4	555H	AAH	2AAH	55H	555H	A0H	PA	PD	—	—	—	—
		AAAH		555H		AAAH							
Chip Erase	6	555H	AAH	2AAH	55H	555H	80H	555H	AAH	2AAH	55H	555H	10H
		AAAH		555H		AAAH		555H		AAAH			
Sector Erase	6	555H	AAH	2AAH	55H	555H	80H	555H	AAH	2AAH	55H	SA	30H
		AAAH		555H		AAAH		555H		AAAH			
Sector Erase Suspend	Erase can be suspended during sector erase with Addr. ("H" or "L"). Data (B0H)												
Sector Erase Resume	Erase can be resumed after suspend with Addr. ("H" or "L"). Data (30H)												
Set to Fast Mode	3	555H	AAH	2AAH	55H	555H	20H	—	—	—	—	—	—
		AAAH		555H		AAAH							
Fast Program (Note)	2	XXXH	A0H	PA	PD	—	—	—	—	—	—	—	—
Reset from Fast Mode (Note)	2	XXXH	90H	XXXH	F0H	—	—	—	—	—	—	—	—
		XXXH		XXXH									
Extended Sector Protect	4	XXXH	60H	SPA	60H	SPA	40H	SPA	SD	—	—	—	—

Address bits A₁₁ to A₁₇ = X = "H" or "L" for all address commands except or Program Address (PA) and Sector Address (SA).

Bus operations are defined in Tables 2 and 3.

The system should generate the following address patterns:

Word Mode: 555H or 2AAH to addresses A₀ to A₁₀

Byte Mode: AAH or 555H to addresses A₋₁ and A₀ to A₁₀

Both Read/Reset commands are functionally equivalent, resetting the device to the read mode.

RA =Address of the memory location to be read

PA =Address of the memory location to be programmed

Addresses are latched on the falling edge of the write pulse.

SA =Address of the sector to be erased. The combination of A₁₈, A₁₇, A₁₆, A₁₅, A₁₄, A₁₃, and A₁₂ will uniquely select any sector.

RD =Data read from location RA during read operation.

PD =Data to be programmed at location PA. Data is latched on the falling edge of write pulse.

SPA:Sector address to be protected. Set sector address (SA) and (A₆, A₁, A₀) = (0, 1, 0).

SD:Sector protection verify data. Output 01H at protected sector addresses and output 00H at unprotected sector addresses.

MB84VB2000-10/MB84VB2001-10

■ ABSOLUTE MAXIMUM RATINGS

Storage Temperature	-55°C to +125°C
Ambient Temperature with Power Applied	-25°C to +85°C
Voltage with Respect to Ground All pins (Note)	-0.3 V to $V_{CC} + 0.5$ V
V_{CCF}/V_{CCS} Supply (Note)	-0.3 V to +4.6 V

Note: Minimum DC voltage on input or I/O pins are -0.5 V. During voltage transitions, inputs may negative overshoot V_{SS} to -2.0 V for periods of up to 20 ns. Maximum DC voltage on output and I/O pins are $V_{CCF} + 0.5$ V or $V_{CCS} + 0.5$ V. During voltage transitions, outputs may positive overshoot to $V_{CC} + 2.0$ V for periods of up to 20 ns.

WARNING: Semiconductor devices can be permanently damaged by application of stress (voltage, current, temperature, etc.) in excess of absolute maximum ratings. Do not exceed these ratings.

■ RECOMMENDED OPERATING RANGES

Commercial Devices

Ambient Temperature (T_A)	-40°C to +85°C
V_{CC} Supply Voltages	+2.7 V to +3.6 V

Operating ranges define those limits between which the functionality of the device is guaranteed.

WARNING: Recommended operating conditions are normal operating ranges for the semiconductor device. All the device's electrical characteristics are warranted when operated within these ranges.

Always use semiconductor devices within the recommended operating conditions. Operation outside these ranges may adversely affect reliability and could result in device failure.

No warranty is made with respect to uses, operating conditions, or combinations not represented on the data sheet. Users considering application outside the listed conditions are advised to contact their FUJITSU representative beforehand.

MB84VB2000-10/MB84VB2001-10

■ DC CHARACTERISTICS

Parameter Symbol	Parameter Description	Test Conditions	Min.	Max.	Unit	
I_{LI}	Input Leakage Current	$V_{IN} = V_{SS}$ to V_{CC} , $V_{CC} = V_{CC}$ Max.	-1.0	+1.0	μA	
I_{LO}	Output Leakage Current	$V_{OUT} = V_{SS}$ to V_{CC} , $V_{CC} = V_{CC}$ Max.	-1.0	+1.0	μA	
I_{LIT}	A_9 , \overline{OE} , \overline{RESET} Inputs Leakage Current	$V_{CC} = V_{CC}$ Max. A_9 , \overline{OE} , $\overline{RESET} = 12.5$ V	—	70	μA	
I_{CC1}	V_{CC} Active Current (Note 1, 5)	$\overline{CE} = V_{IL}$, $\overline{OE} = V_{IH}$, $f = 10$ MHz	Byte	—	22	mA
			Word	—	25	
		$\overline{CE} = V_{IL}$, $\overline{OE} = V_{IH}$, $f = 5$ MHz	Byte	—	12	mA
			Word	—	15	
I_{CC2}	V_{CC} Active Current (Note 2, 5)	$\overline{CE} = V_{IL}$, $\overline{OE} = V_{IH}$	—	35	mA	
I_{CC3}	V_{CC} Current (Standby) (Note 5)	$V_{CC} = V_{CC}$ Max., $\overline{CE} = V_{CC} \pm 0.3$ V, $\overline{RESET} = V_{CC} \pm 0.3$ V	—	5	μA	
I_{CC4}	V_{CC} Current (Standby, Reset) (Note 5)	$V_{CC} = V_{CC}$ Max., $\overline{RESET} = V_{SS} \pm 0.3$ V	—	5	μA	
I_{CC5}	V_{CC} Current (Automatic Sleep Mode) (Note 3, 5)	$V_{CC} = V_{CC}$ Max., $\overline{CE} = V_{SS} \pm 0.3$ V, $\overline{RESET} = V_{CC} \pm 0.3$ V $V_{IN} = V_{CC} \pm 0.3$ V or $V_{SS} \pm 0.3$ V	—	5	μA	
V_{IL}	Input Low Level	—	-0.5	0.6	V	
V_{IH}	Input High Level	—	2.0	$V_{CC} + 0.3$	V	
V_{ID}	Voltage for Autoselect and Sector Protection (A_9 , \overline{OE} , \overline{RESET}) (Note 4)	—	11.5	12.5	V	
V_{OL}	Output Low Voltage Level	$I_{OL} = 4.0$ mA, $V_{CC} = V_{CC}$ Min.	—	0.45	V	
V_{OH1}	Output High Voltage Level	$I_{OH} = -2.0$ mA, $V_{CC} = V_{CC}$ Min.	2.4	—	V	
V_{OH2}		$I_{OH} = -100$ μA , $V_{CC} = V_{CC}$ Min.	$V_{CC} - 0.4$	—	V	
V_{LKO}	Low V_{CC} Lock-Out Voltage	—	2.3	2.5	V	

- Notes:**
1. The I_{CC} current listed includes both the DC operating current and the frequency dependent component (at 10 MHz).
 2. I_{CC} active while Embedded Algorithm (program or erase) is in progress.
 3. Automatic sleep mode enables the low power mode when address remain stable for 150 ns.
 4. ($V_{ID} - V_{CC}$) do not exceed 9 V.
 5. Total power consumption is (condition of Flash 1) + (condition of Flash 2).

MB84VB2000-10/MB84VB2001-10

■ AC CHARACTERISTICS

• \overline{CE} Timing

Parameter Symbols		Description	Test Setup		-10	Unit
JEDEC	Standard					
—	t _{CCR}	\overline{CE} Recover Time	—	Min.	0	ns

• Read Only Operations Characteristics

Parameter Symbols		Description	Test Setup	-10 (Note)		Unit
JEDEC	Standard			Min.	Max.	
t _{AVAV}	t _{RC}	Read Cycle Time	—	100	—	ns
t _{AVQV}	t _{ACC}	Address to Output Delay	$\overline{CE} = V_{IL}$ $\overline{OE} = V_{IL}$	—	100	ns
t _{ELQV}	t _{CE}	Chip Enable to Output Delay	$\overline{OE} = V_{IL}$	—	100	ns
t _{GLQV}	t _{OE}	Output Enable to Output Delay	—	—	40	ns
t _{EHQZ}	t _{DF}	Chip Enable to Output High-Z	—	—	30	ns
t _{GHQZ}	t _{DF}	Output Enable to Output High-Z	—	—	30	ns
t _{AXQX}	t _{OH}	Output Hold Time from Addresses, \overline{CE} or \overline{OE} , Whichever Occurs First	—	0	—	ns
—	t _{READY}	RESET Pin Low to Read Mode	—	—	20	μs
—	t _{ELFL} t _{ELFH}	\overline{CE} or BYTE Switching Low or High	—	—	5	ns

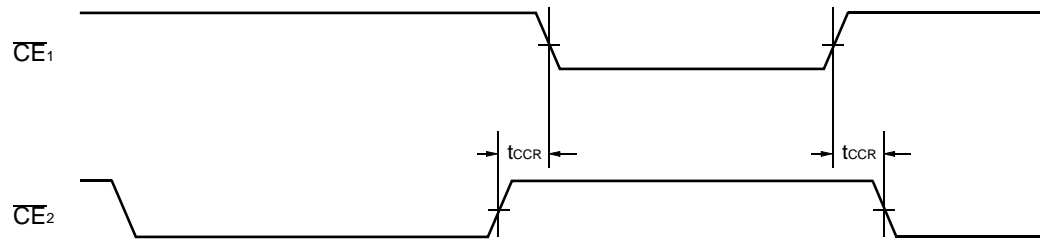
Note: Test Conditions—Output Load: 1 TTL gate and 30 pF
 Input rise and fall times: 5 ns
 Input pulse levels: 0.0 V to 3.0 V
 Timing measurement reference level
 Input: 1.5 V
 Output: 1.5 V

MB84VB2000-10/MB84VB2001-10

• Erase/Program Operations

Parameter Symbols		Description	-10			Unit
JEDEC	Standard		Min.	Typ.	Max.	
t _{AVAV}	t _{WC}	Write Cycle Time	100	—	—	ns
t _{AVWL}	t _{AS}	Address Setup Time (\overline{WE} to Addr.)	0	—	—	ns
t _{AVEL}	t _{AS}	Address Setup Time (\overline{CE} to Addr.)	0	—	—	ns
t _{WLAX}	t _{AH}	Address Hold Time (\overline{WE} to Addr.)	50	—	—	ns
t _{ELAX}	t _{AH}	Address Hold Time (\overline{CE} to Addr.)	50	—	—	ns
t _{DVWH}	t _{DS}	Data Setup Time	50	—	—	ns
t _{WHDX}	t _{DH}	Data Hold Time	0	—	—	ns
—	t _{OES}	Output Enable Setup Time	0	—	—	ns
—	t _{OEHL}	Output Enable Hold Time	0	—	—	ns
		Read Toggle and \overline{Data} Polling	10	—	—	ns
t _{GHEL}	t _{GHEL}	Read Recover Time Before Write (\overline{OE} to \overline{CE})	0	—	—	ns
t _{GHWL}	t _{GHWL}	Read Recover Time Before Write (\overline{OE} to \overline{WE})	0	—	—	ns
t _{WLEL}	t _{WS}	\overline{WE} Setup Time (\overline{CE} to \overline{WE})	0	—	—	ns
t _{ELWL}	t _{CS}	\overline{CE} Setup Time (\overline{WE} to \overline{CE})	0	—	—	ns
t _{EHWH}	t _{WH}	\overline{WE} Hold Time (\overline{CE} to \overline{WE})	0	—	—	ns
t _{WHEH}	t _{CH}	\overline{CE} Hold Time (\overline{WE} to \overline{CE})	0	—	—	ns
t _{WLWH}	t _{WP}	Write Pulse Width	50	—	—	ns
t _{ELEH}	t _{CP}	\overline{CE} Pulse Width	50	—	—	ns
t _{WHWL}	t _{WPH}	Write Pulse Width High	30	—	—	ns
t _{EHEL}	t _{CPH}	\overline{CE} Pulse Width High	30	—	—	ns
t _{WHWH1}	t _{WHWH1}	Byte Programming Operation	—	8	—	μ s
t _{WHWH2}	t _{WHWH2}	Sector Erase Operation (Note 1)	—	1	15	sec
—	t _{VCS}	V _{CC} Setup Time	50	—	—	μ s
—	t _{VIDR}	Rise Time to V _{ID} (Note 2)	500	—	—	ns
—	t _{VLHT}	Voltage Transition Time (Note 2)	4	—	—	μ s
—	t _{WPP}	Write Pulse Width (Note 2)	100	—	—	μ s
—	t _{OESP}	\overline{OE} Setup Time to \overline{WE} Active (Note 2)	4	—	—	μ s
—	t _{CSP}	\overline{CE} Setup Time to \overline{WE} Active (Note 2)	4	—	—	μ s
—	t _{RB}	Recover Time from RY/BY	0	—	—	ns
—	t _{RP}	RESET Pulse Width	500	—	—	ns
—	t _{RH}	RESET Hold Time Before Read	200	—	—	ns
—	t _{EOE}	Delay Time from Embedded Output Enable	—	—	100	ns
—	t _{BUSY}	Program/Erase Valid to RY/BY Delay	—	—	90	ns
—	t _{FLQZ}	BYTE Switching Low to Output High-Z	—	—	30	ns
—	t _{FLQV}	BYTE Switching High to Output Active	30	—	—	ns

- Notes:** 1. This does not include the preprogramming time.
2. This timing is for Sector Protection operation.

MB84VB2000-10/MB84VB2001-10**■ SWITCHING WAVEFORMS****Figure 1 Timing Diagram for Alternating Flash to Flash**

MB84VB2000-10/MB84VB2001-10

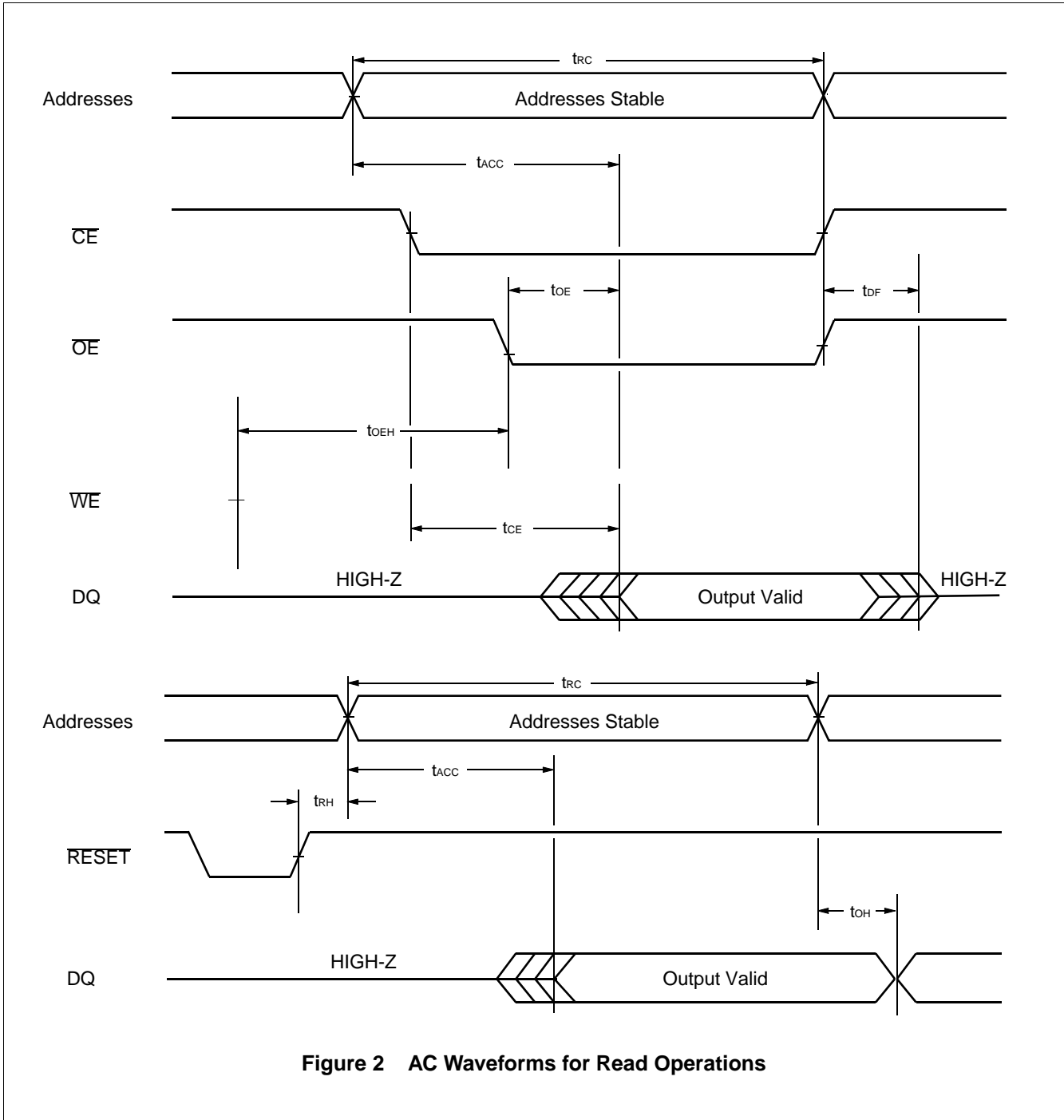
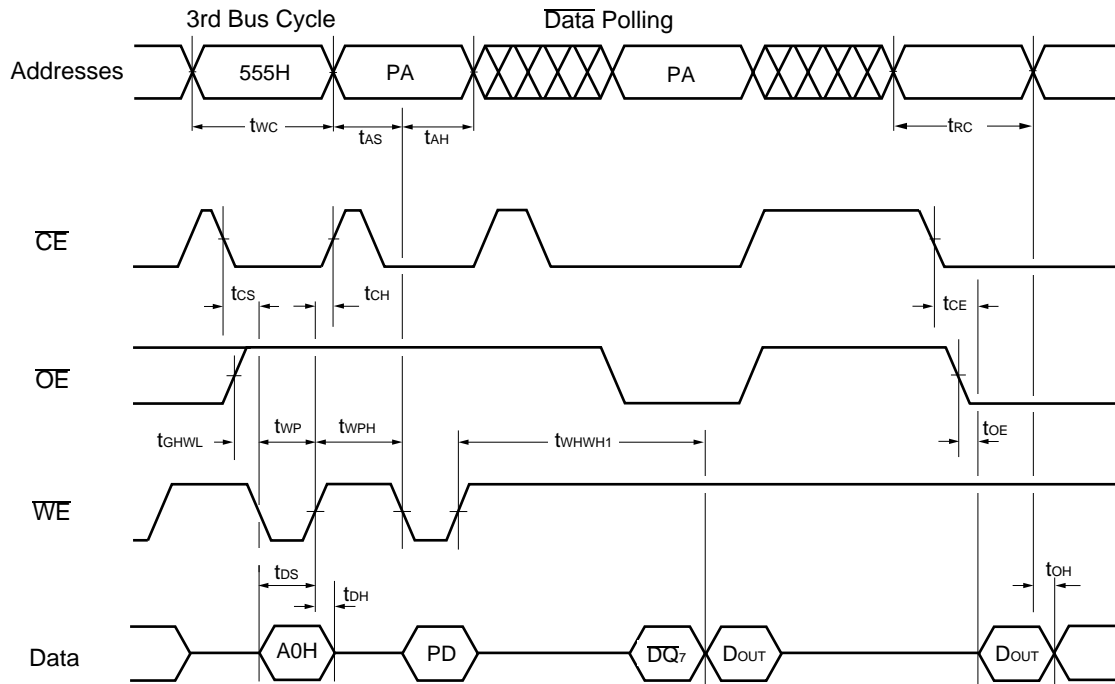


Figure 2 AC Waveforms for Read Operations

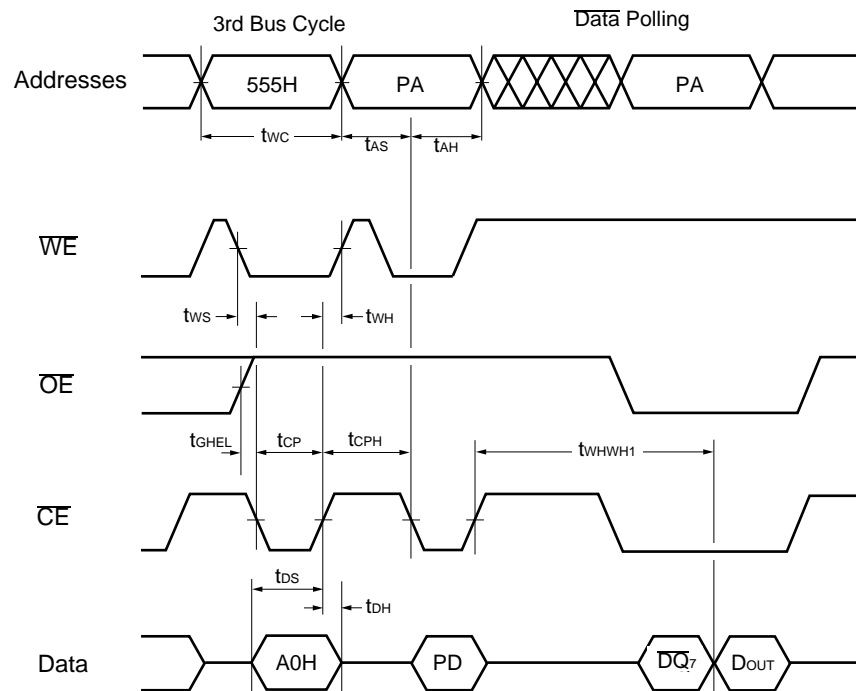
MB84VB2000-10/MB84VB2001-10



- Notes:**
- 1.PA is address of the memory location to be programmed.
 - 2.PD is data to be programmed at byte address.
 3. \overline{DQ}_7 is the output of the complement of the data written to the device.
 - 4.D_{OUT} is the output of the data written to the device.
 - 5.Figure indicates last two bus cycles out of four bus cycle sequence.
 - 6.These waveforms are for the $\times 16$ mode. (The addresses differ from $\times 8$ mode.)

Figure 3 Alternate WE Controlled Program Operation Timings

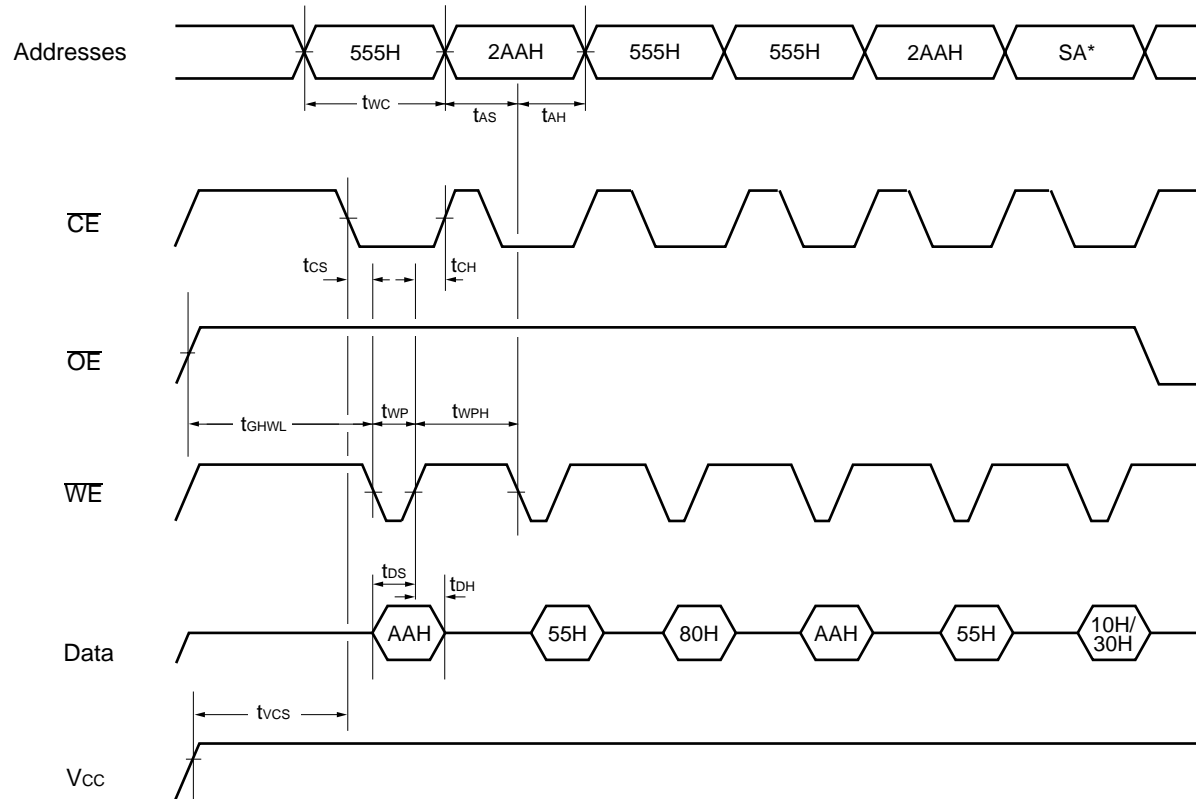
MB84VB2000-10/MB84VB2001-10



- Notes:**
- 1.PA is address of the memory location to be programmed.
 - 2.PD is data to be programmed at byte address.
 3. \overline{DQ}_7 is the output of the complement of the data written to the device.
 - 4.D_{OUT} is the output of the data written to the device.
 - 5.Figure indicates last two bus cycles out of four bus cycle sequence.
 - 6.These waveforms are for the $\times 16$ mode. (The addresses differ from $\times 8$ mode.)

Figure 4 Alternate CE Controlled Program Operation Timings

MB84VB2000-10/MB84VB2001-10

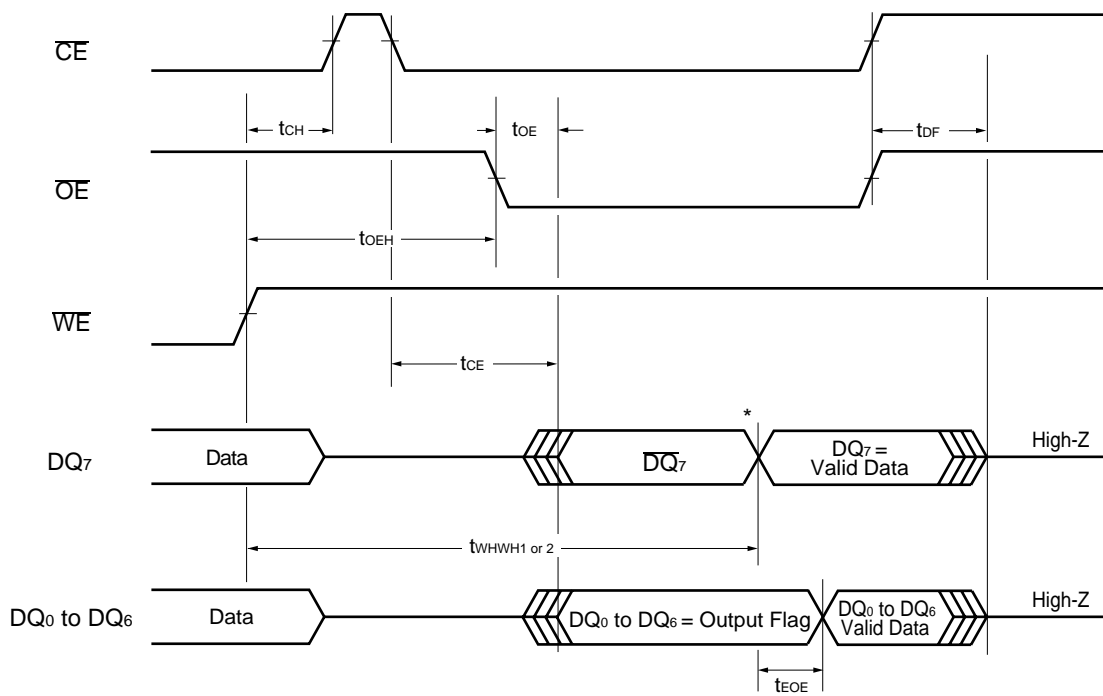


* : SA is the sector address for Sector Erase. Addresses = 555H (Word), AAH (Byte) for Chip Erase.

Note: These waveforms are for the $\times 16$ mode. (The addresses differ from $\times 8$ mode.)

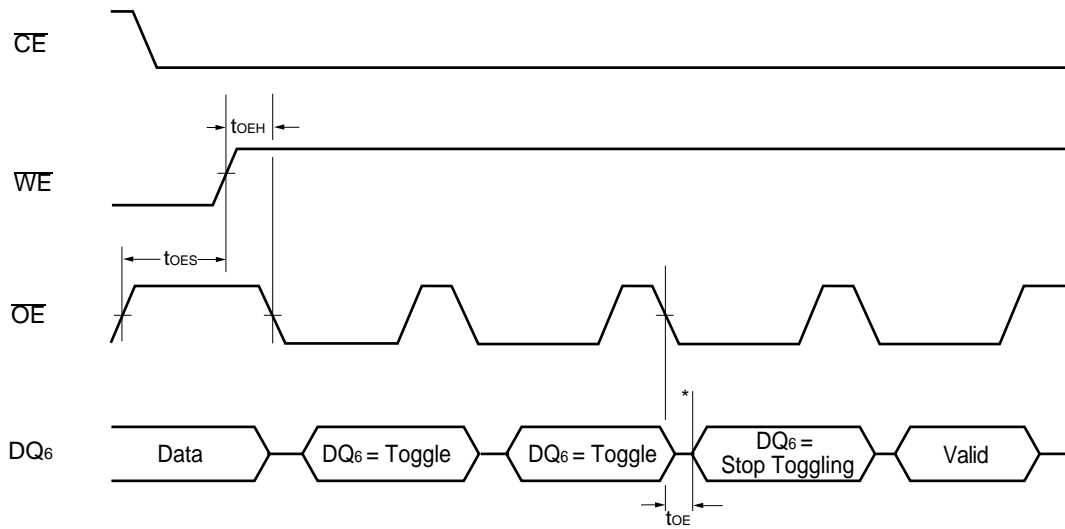
Figure 5 AC Waveforms Chip/Sector Erase Operations

MB84VB2000-10/MB84VB2001-10



* : DQ₇ = Valid Data (The device has completed the Embedded operation.)

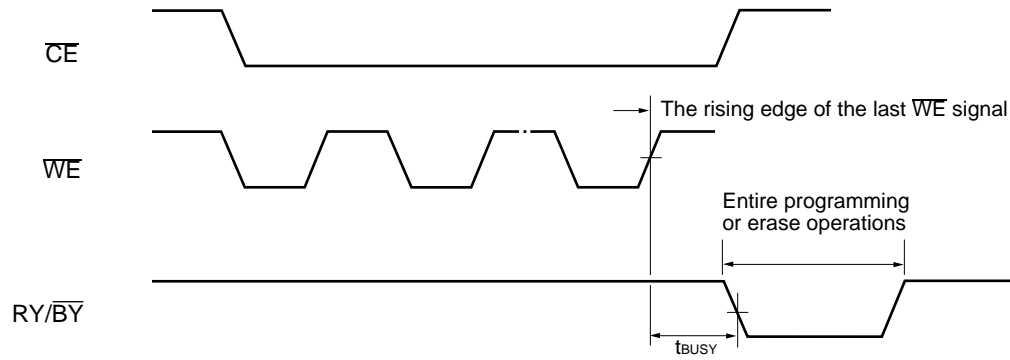
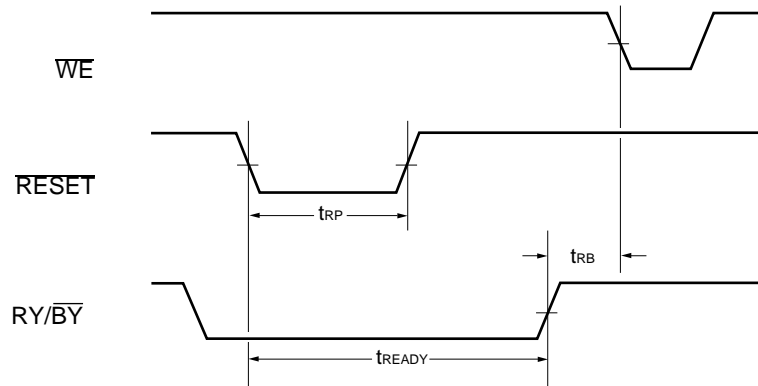
Figure 6 AC Waveforms for Data Polling during Embedded Algorithm Operations



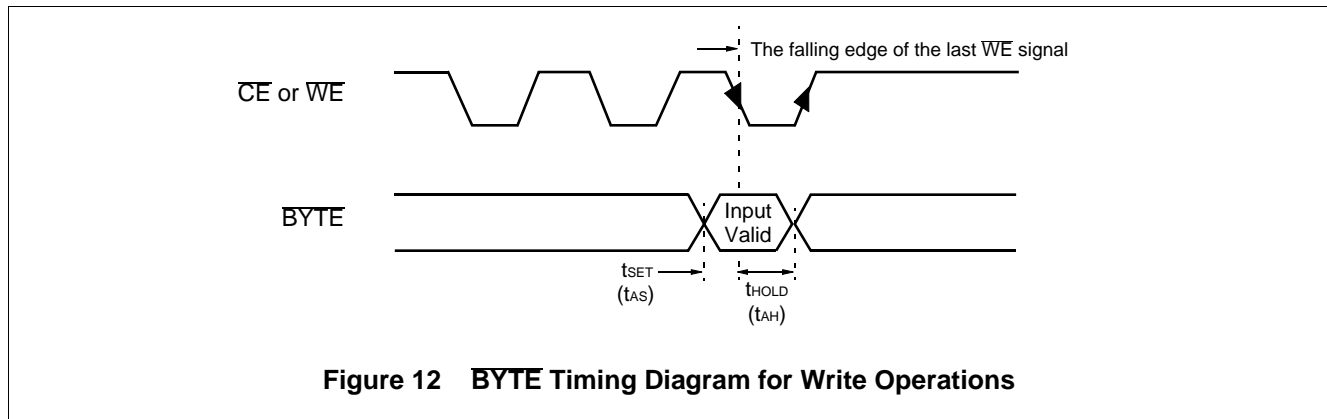
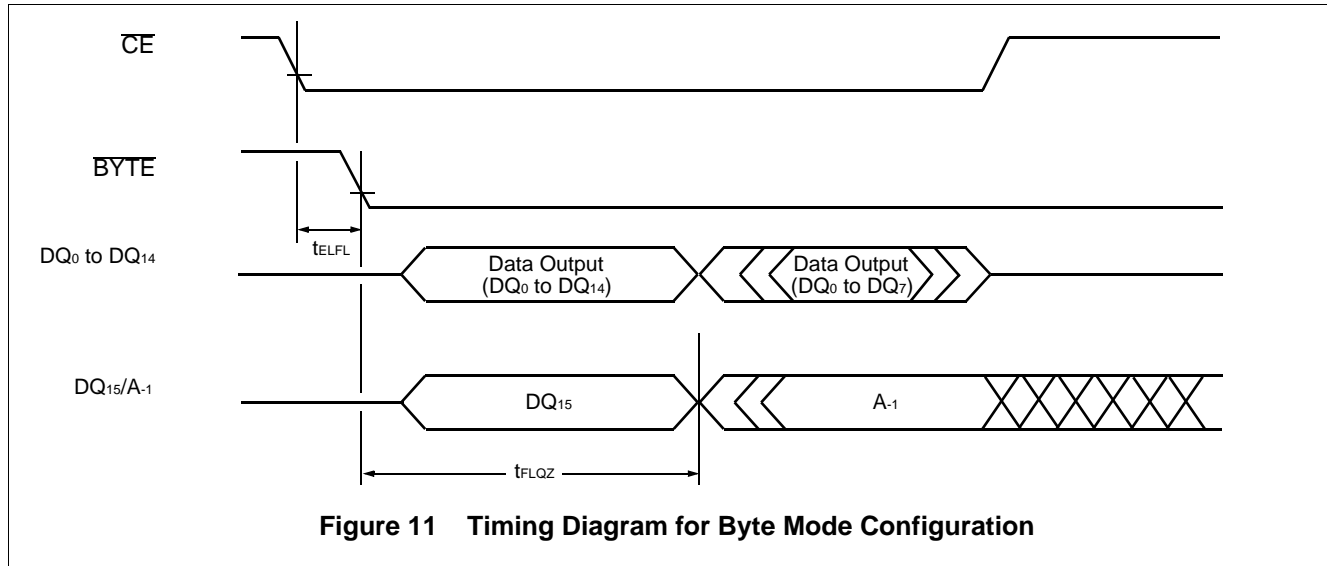
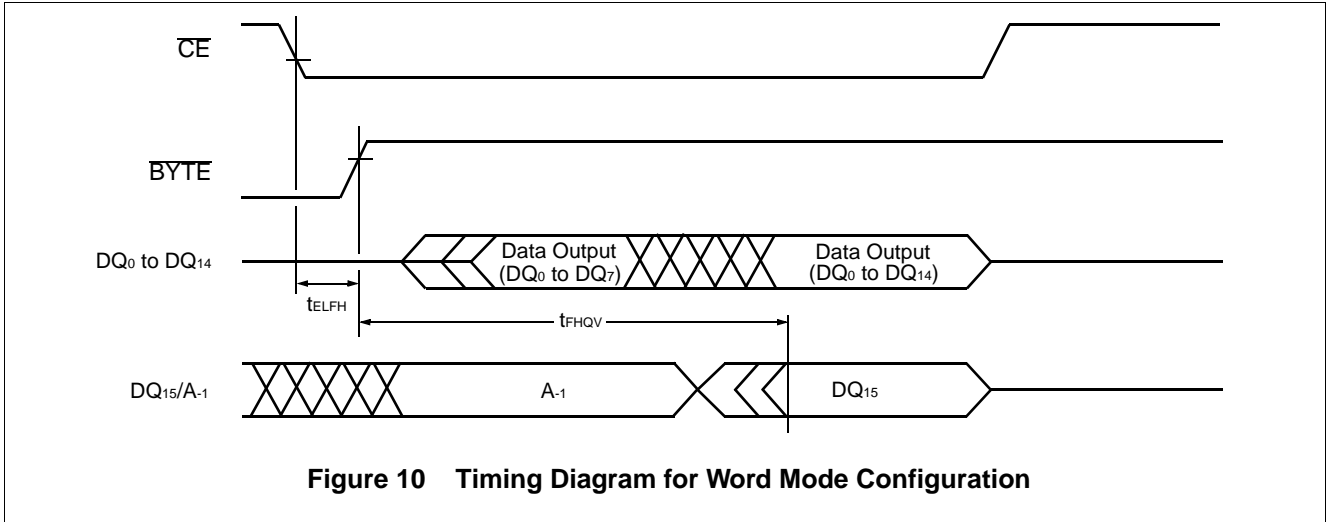
* : DQ₆ stops toggling.(The device has completed the Embedded operation.)

Figure 7 AC Waveforms for Toggle Bit during Embedded Algorithm Operations

MB84VB2000-10/MB84VB2001-10

Figure 8 $\overline{RY/BY}$ Timing Diagram during Write/Erase OperationsFigure 9 \overline{RESET} , $\overline{RY/BY}$ Timing Diagram

MB84VB2000-10/MB84VB2001-10



MB84VB2000-10/MB84VB2001-10

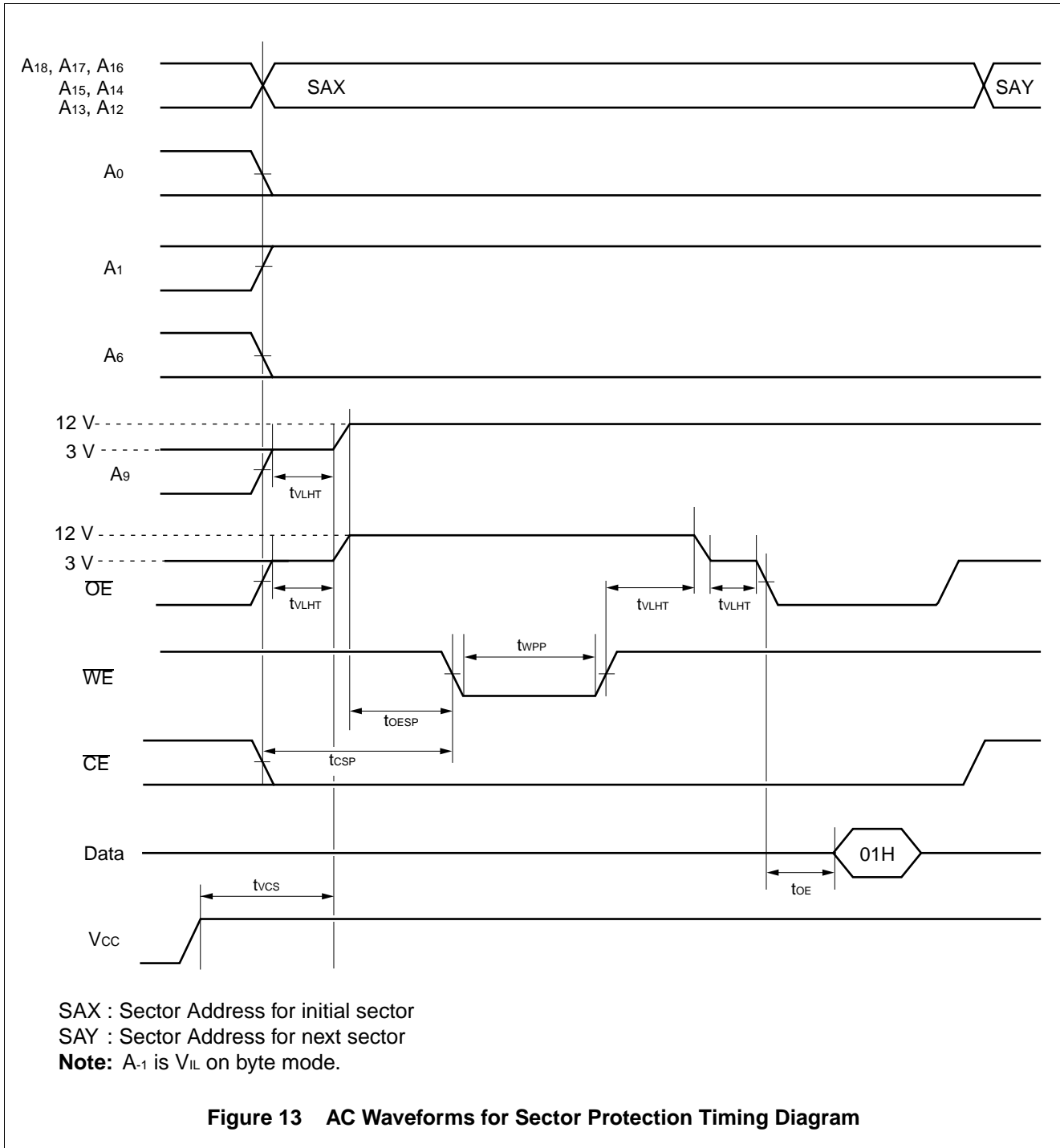


Figure 13 AC Waveforms for Sector Protection Timing Diagram

MB84VB2000-10/MB84VB2001-10

FAST MODE ALGORITHM

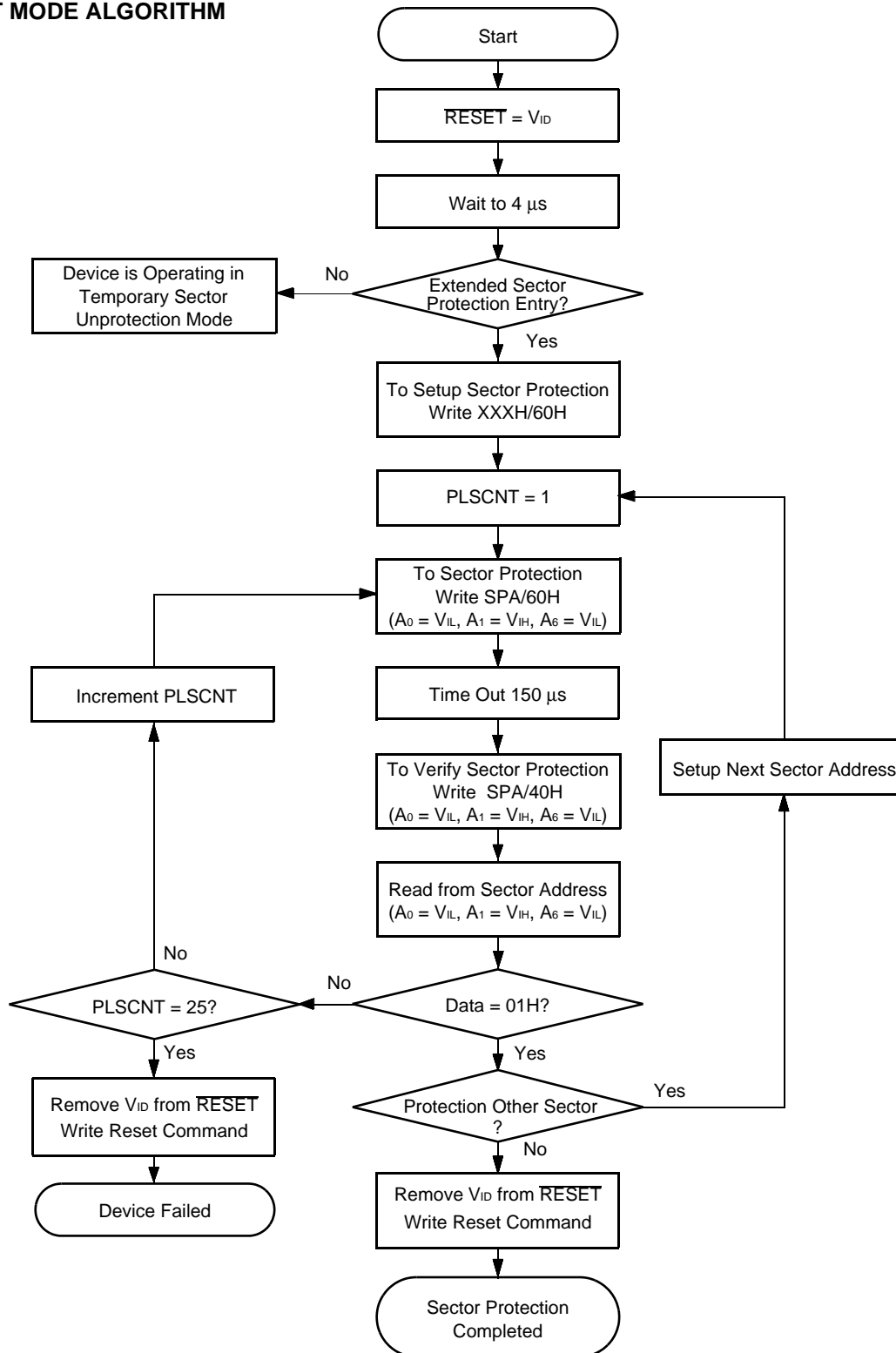
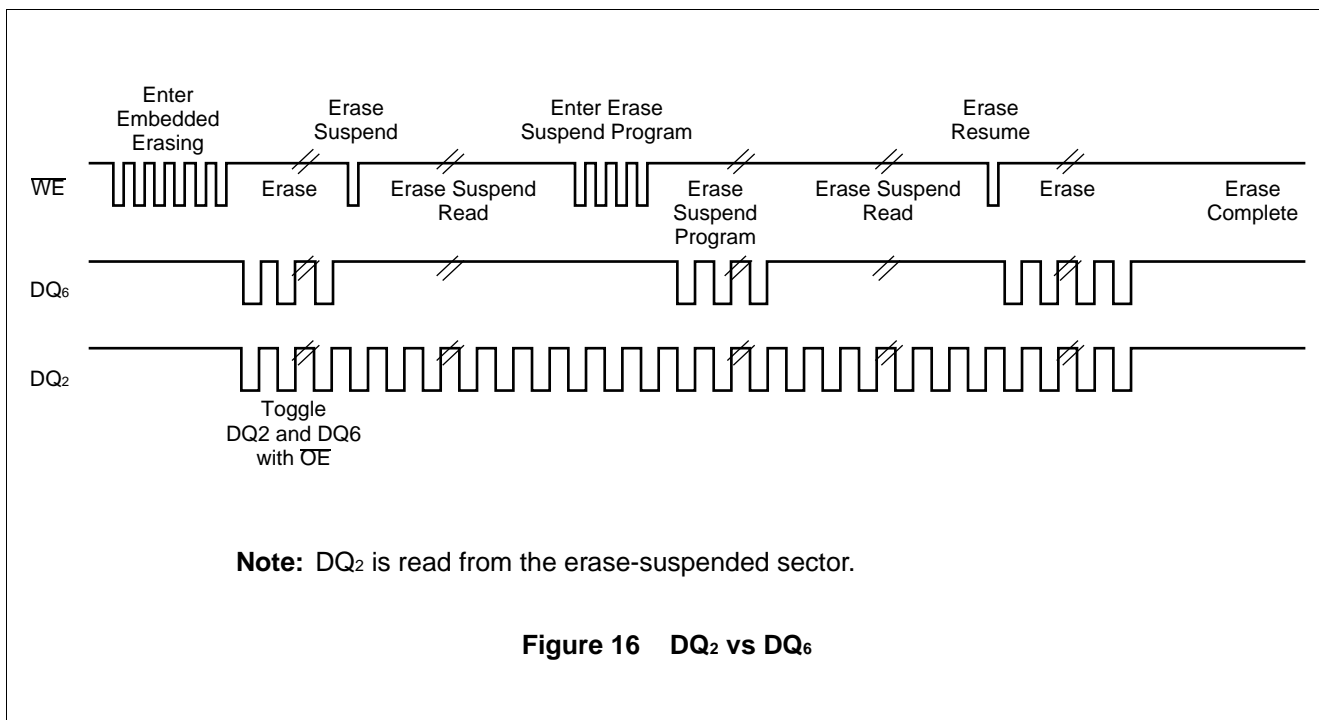
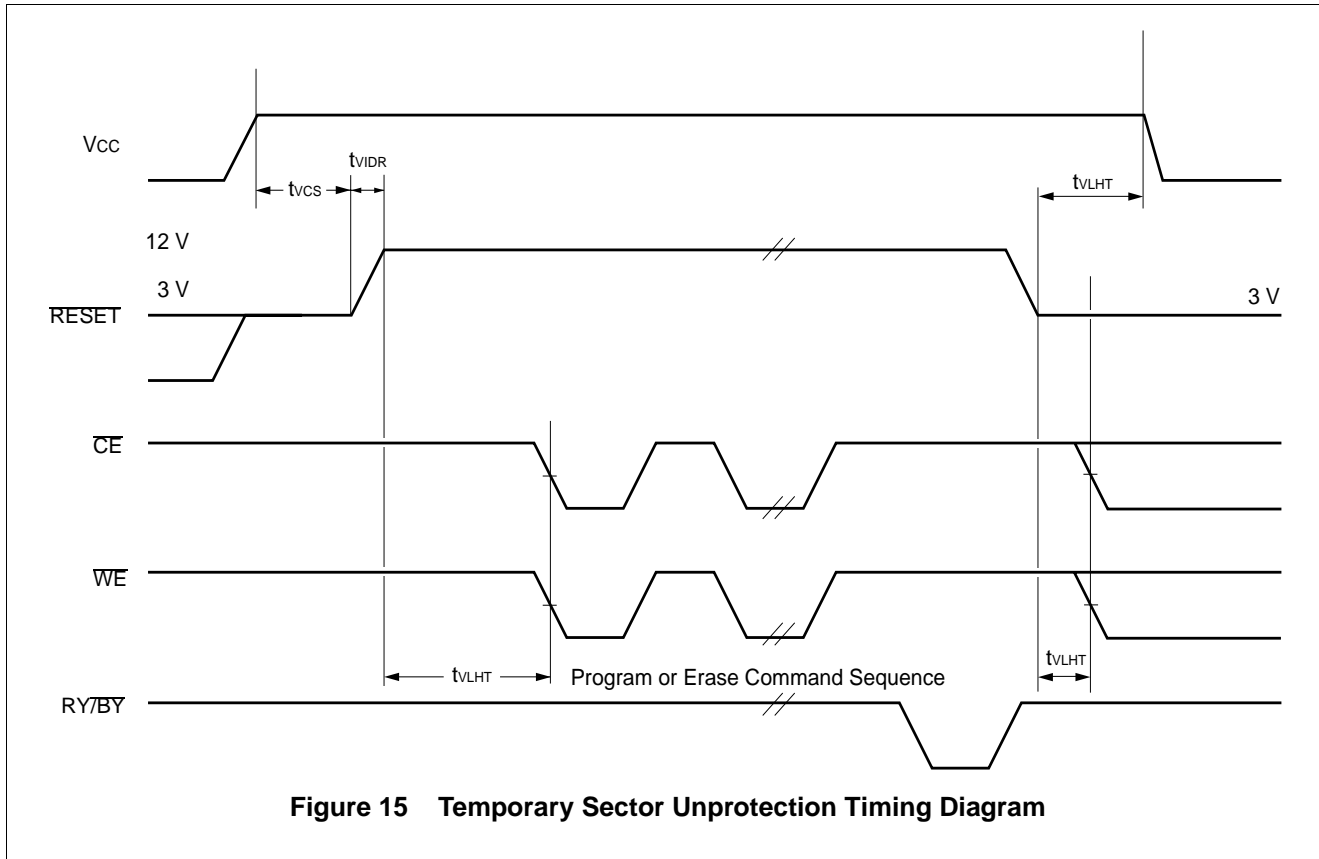


Figure 14 Extended Sector Protection Algorithm

MB84VB2000-10/MB84VB2001-10



MB84VB2000-10/MB84VB2001-10

■ ERASE AND PROGRAMMING PERFORMANCE

Parameter	Limits			Unit	Comments
	Min.	Typ.	Max.		
Sector Erase Time	—	1	15	sec	Excludes programming time prior to erasure
Word Programming Time	—	16	5,200	μs	Excludes system-level overhead
Byte Programming Time	—	8	3,600	μs	
Chip Programming Time (1M Byte)	—	8.4	50	sec	Excludes system-level overhead
Erase/Program Cycle	100,000	—	—	cycles	

■ PIN CAPACITANCE

Parameter Symbol	Parameter Description	Test Setup	Typ.	Max.	Unit
C _{IN}	Input Capacitance	V _{IN} = 0	TBD	TBD	pF
C _{OUT}	Output Capacitance	V _{OUT} = 0	TBD	TBD	pF
C _{IN2}	Control Pin Capacitance	V _{IN} = 0	TBD	TBD	pF

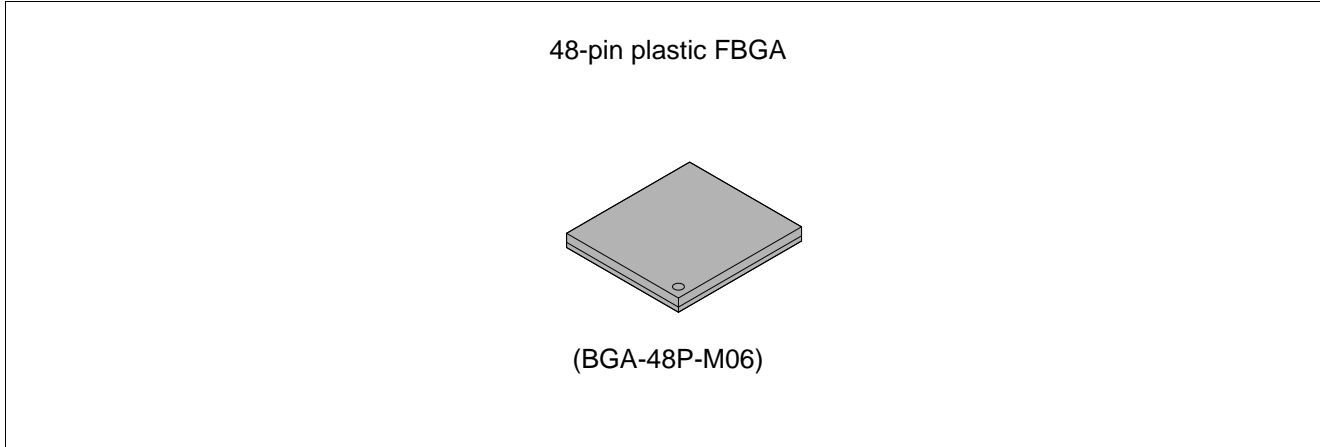
Note: Test conditions T_A = 25°C, f = 1.0 MHz

■ HANDLING OF PACKAGE

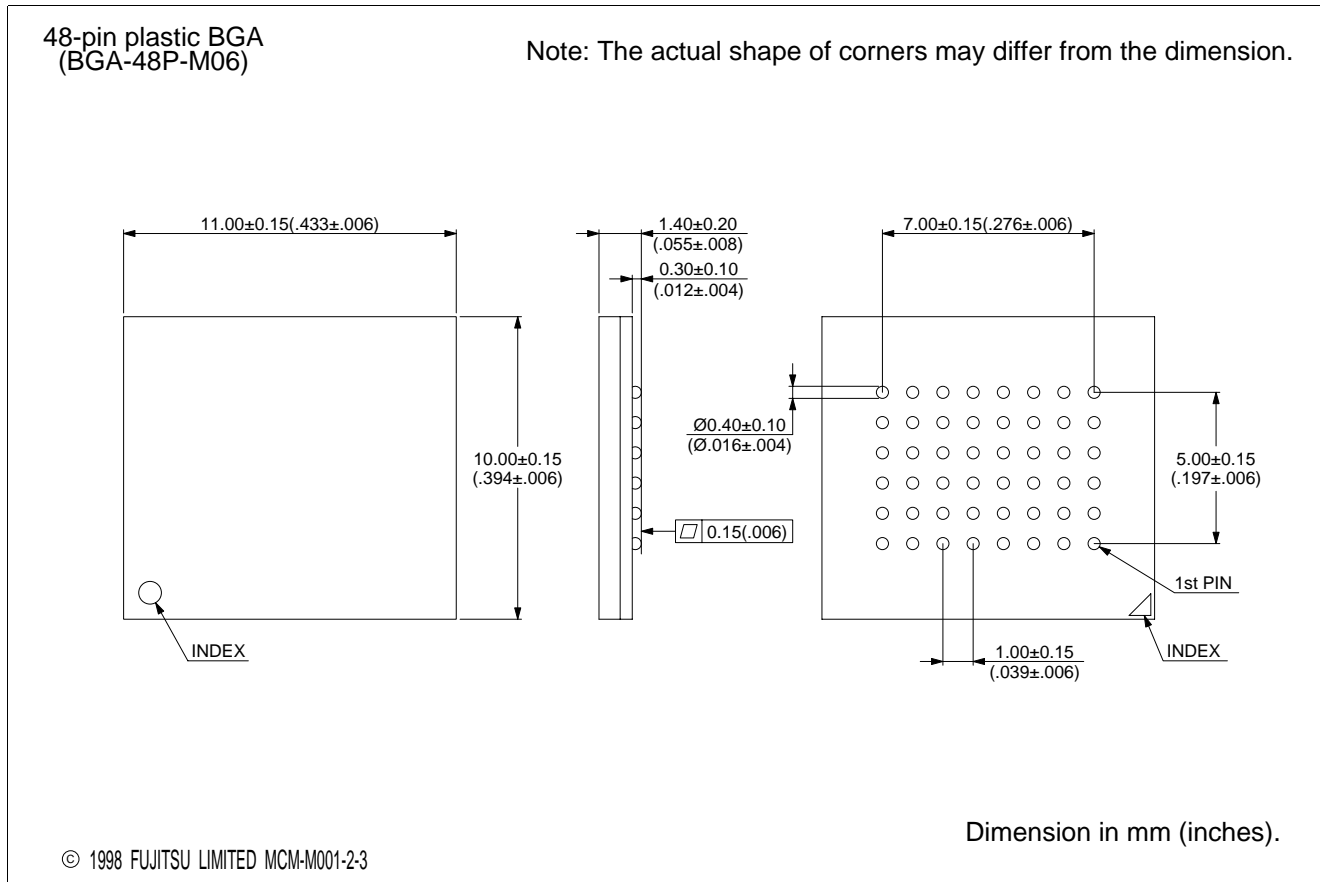
Please handle this package carefully since the sides of package are right angle.

MB84VB2000-10/MB84VB2001-10

■ PACKAGE



■ PACKAGE DIMENSIONS



MB84VB2000-10/MB84VB2001-10

FUJITSU LIMITED

For further information please contact:

Japan

FUJITSU LIMITED
Corporate Global Business Support Division
Electronic Devices
KAWASAKI PLANT, 4-1-1, Kamikodanaka
Nakahara-ku, Kawasaki-shi
Kanagawa 211-8588, Japan
Tel: (044) 754-3763
Fax: (044) 754-3329

<http://www.fujitsu.co.jp/>

North and South America

FUJITSU MICROELECTRONICS, INC.
Semiconductor Division
3545 North First Street
San Jose, CA 95134-1804, USA
Tel: (408) 922-9000
Fax: (408) 922-9179

Customer Response Center
Mon. - Fri.: 7 am - 5 pm (PST)
Tel: (800) 866-8608
Fax: (408) 922-9179

<http://www.fujitsumicro.com/>

Europe

FUJITSU MIKROELEKTRONIK GmbH
Am Siebenstein 6-10
D-63303 Dreieich-Buchsschlag
Germany
Tel: (06103) 690-0
Fax: (06103) 690-122

<http://www.fujitsu-edc.com/>

Asia Pacific

FUJITSU MICROELECTRONICS ASIA PTE LTD
#05-08, 151 Lorong Chuan
New Tech Park
Singapore 556741
Tel: (65) 281-0770
Fax: (65) 281-0220

<http://www.fmap.com.sg/>

F9804

© FUJITSU LIMITED Printed in Japan

All Rights Reserved.

The contents of this document are subject to change without notice. Customers are advised to consult with FUJITSU sales representatives before ordering.

The information and circuit diagrams in this document presented as examples of semiconductor device applications, and are not intended to be incorporated in devices for actual use. Also, FUJITSU is unable to assume responsibility for infringement of any patent rights or other rights of third parties arising from the use of this information or circuit diagrams.

FUJITSU semiconductor devices are intended for use in standard applications (computers, office automation and other office equipment, industrial, communications, and measurement equipment, personal or household devices, etc.).

CAUTION:

Customers considering the use of our products in special applications where failure or abnormal operation may directly affect human lives or cause physical injury or property damage, or where extremely high levels of reliability are demanded (such as aerospace systems, atomic energy controls, sea floor repeaters, vehicle operating controls, medical devices for life support, etc.) are requested to consult with FUJITSU sales representatives before such use. The company will not be responsible for damages arising from such use without prior approval.

Any semiconductor devices have inherently a certain rate of failure. You must protect against injury, damage or loss from such failures by incorporating safety design measures into your facility and equipment such as redundancy, fire protection, and prevention of over-current levels and other abnormal operating conditions.

If any products described in this document represent goods or technologies subject to certain restrictions on export under the Foreign Exchange and Foreign Trade Control Law of Japan, the prior authorization by Japanese government should be required for export of those products from Japan.