

ASSP

3-Channel 8-Bit RGB D/A Converter

MB40978

DESCRIPTION

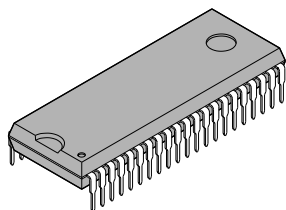
The Fujitsu MB40978 is a 8-bit ultra high speed digital to analog converter for video frequency band fabricated by Fujitsu Advanced Bipolar Technology. Owing to adoption of RGB 3-channel input/output, it is suitable for digital TV, graphic display etc.

FEATURES

- Resolution : 8bits
- Linearity : $\pm 0.2\%$ max.
- Maximum Conversion Rate : 60MSPS min.
- Analog Output Voltage Range : V_{CC} to $V_{CC} - 1(V)$
- Digital Input Voltage : TTL Compatible
- Single Power Supply Voltage : +5.0V
- Power Dissipation : 350mW typ.
- Package : Plastic DIP Package (Suffix: -P)
: Plastic Flat Package (Suffix: -PFQ)

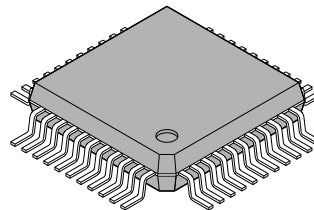
PACKAGES

42 pin, Plastic SH-DIP



(DIP-42P-M02)

44 pin, Plastic FPT



(FPT-44P-M11)

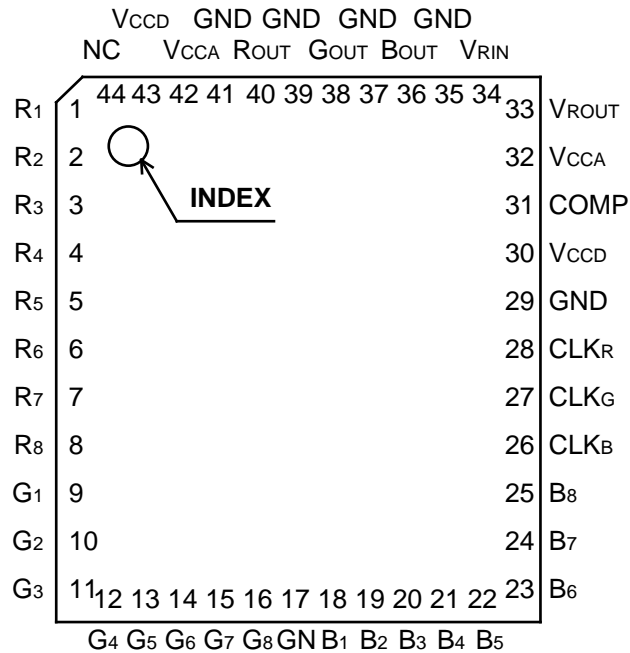
This device contains circuitry to protect the inputs against damage due to high static voltages or electric fields. However, it is advised that normal precautions be taken to avoid application of any voltage higher than maximum rated voltages to this high impedance circuit.

MB40978

■ PIN ASSIGNMENTS

(TOP VIEW)

R7	1	42	R6
R8	2	41	R5
G1	3	40	R4
G2	4	39	R3
G3	5	38	R2
G4	6	37	R1
G5	7	36	VCCD
G6	8	35	VCCA
G7	9	34	GND
G8	10	33	ROUT
B1	11	32	GND
B2	12	31	GOUT
B3	13	30	GND
B4	14	29	BOUT
B5	15	28	GND
B6	16	27	VRIN
B7	17	26	VRROUT
B8	18	25	VCCA
CLKB	19	24	COMP
CLKG	20	23	VCCD
CLKR	21	22	GND

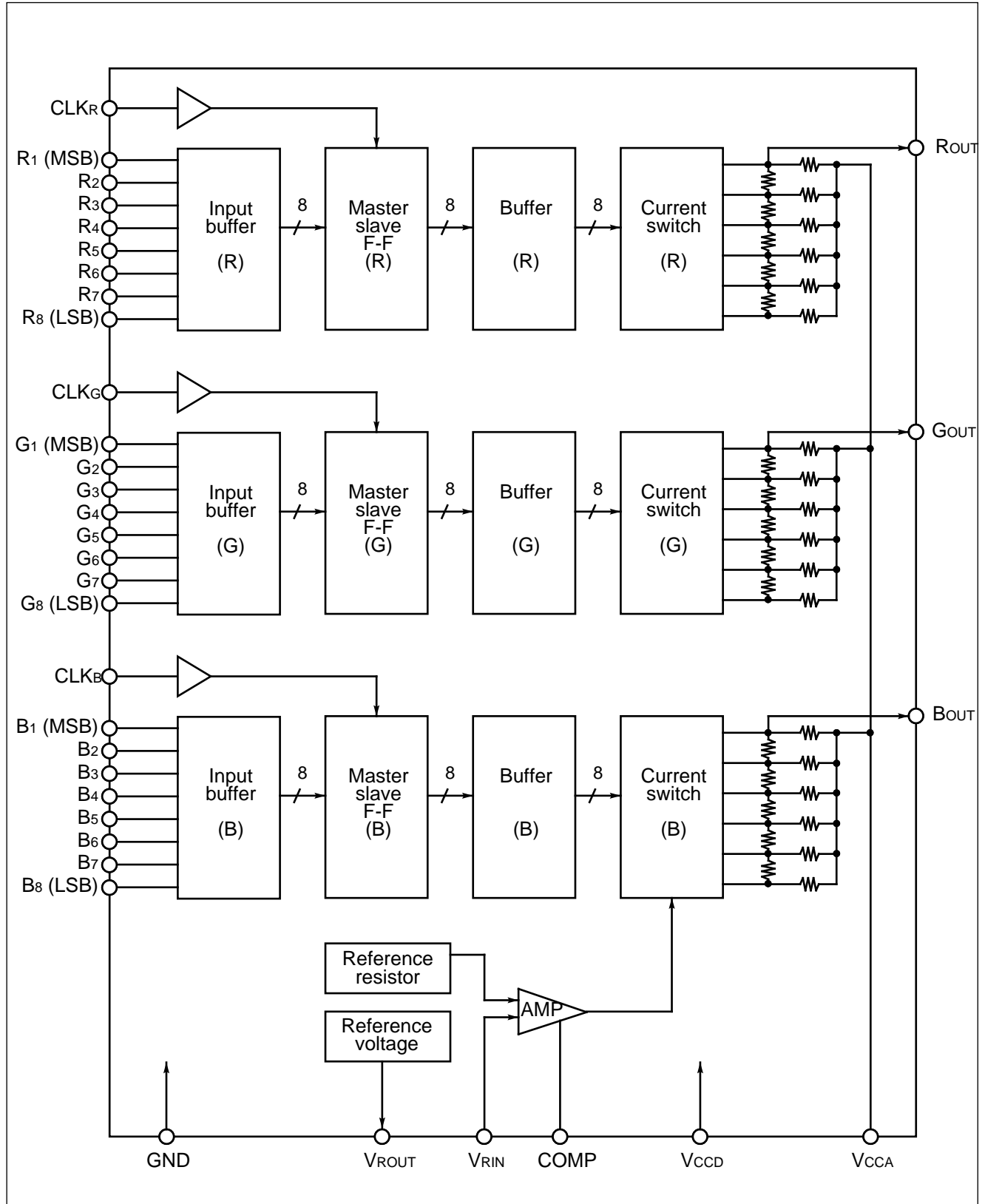


■ PIN DESCRIPTION

Pin Number		Symbol	Description
DIP	QFP		
1, 2, 37 to 42	1 to 8	R1 to R8	R-channel Digital Signal Inputs $V_{IH}=2.0V$ min. $V_{IL}=0.8V$ max.
3 to 10	9 to 16	G1 to G8	G-channel Digital Signal Inputs
11 to 18	18 to 25	B1 to B8	B-channel Digital Signal Inputs
33	40	ROUT	R-channel Analog Signal Output
31	38	GOUT	G-channel Analog Signal Output
29	36	BOUT	B-channel Analog Signal Output
21	28	CLKR	R-channel Clock Input $V_{IH}=2.0V$ min. $V_{IL}=0.8V$ max.
20	27	CLKG	G-channel Clock Input
19	26	CLKB	B-channel Clock Input
27	34	VRIN	Reference Voltage Input
26	33	VROUT	Reference Voltage Output
24	31	COMP	This pin is provided to connect a phase compensation capacitance. 1 μ F min capacitor is connected between GND.
25, 35	32, 42	VCCA	Power Supply for Analog Circuit 5V \pm 5%
23, 36	30, 43	VCCD	Power Supply for Digital Circuit 5V \pm 5%
22, 28, 30, 32, 34	17, 29, 35, 37, 39, 41	GND	Ground
—	44	N.C.	No connection

MB40978

■ BLOCK DIAGRAM



■ ABSOLUTE MAXIMUM RATINGS

Parameter	Symbol	Rating	Unit
Power supply voltage	V_{CCA}, V_{CCD}	-0.5 to +7.0	V
Analog reference voltage	V_{RIN}	-0.5 to $V_{CCA} + 0.5$	V
Digital input voltage	V_{ID}	-0.5 to +7.0	V
Storage temperature	T_{STG}	-55 to +125	°C

Note: Permanent device damage may occur if the above **Absolute Maximum Ratings** are exceeded. Functional operation should be restricted to the conditions as detailed in the operational sections of this data sheet. Exposure to absolute maximum rating conditions for extended periods may affect device reliability.

■ RECOMMENDED OPERATING CONDITIONS

Parameter	Symbol	Value			Unit
		Min	Typ	Max	
Power supply voltage	V_{CCA}, V_{CCD} ($V_{CCA} - V_{CCD}$)	4.75 (-0.2)	5.0	5.25 (0.2)	V
Analog reference voltage	V_{RIN}	3.70	4.00	4.30	V
Digital high-level input voltage	V_{IHD}	2.0	—	—	V
Digital low-level voltage	V_{ILD}	—	—	0.8	V
Clock frequency	f_{CLK}	—	—	60	MHz
Set-up time	t_s	10	—	—	ns
Hold time	t_H	4.0	—	—	ns
Minimum high pulse width	t_{w+}	7.5	—	—	ns
Minimum low pulse width	t_{w-}	7.5	—	—	ns
Phase compensation capacitance	C_{COPM}	1.0	—	—	μF
Operating temperature	T_a	0	—	70	°C

Note: $V_{CCA} - V_{REF} \leq 1.2V$

MB40978

■ ELECTRICAL CHARACTERISTICS

($V_{CCA} = V_{CCD} = 4.75$ to 5.25 V, $T_a = 0$ to 70°C)

Parameter	Symbol	Condition	Value			Unit
			Min.	Typ.	Max.	
Resolution	—	—	—	—	8	Bits
Linearity error	LE	—	—	—	± 0.2	%
Reference input current	I_{RIN}	V_{RIN}, V_{ROUT} Short	—	—	10	μA
Reference output voltage	V_{ROUT}	$V_{CC}=5.00\text{V}$	3.900	4.000	4.100	V
Digital high-level input curren	I_{IHD}	$V_{IHD}=2.7\text{V}$	—	—	20	μA
Digital low-level input current	I_{ILD}	$V_{ILD}=0.4\text{V}$	-100	—	—	μA
RGB output voltage ratio	FSR	—	0	2	6	%
Full-scale output voltage	V_{OFS}	$V_{CCA}=5.000\text{V}$ V_{RIN}, V_{ROUT} Short	$V_{CCA} - 15$	V_{CCA}	—	mV
Zero-scale output voltage	V_{OZS}	$V_{CCA}=V_{CCD}=5.000\text{V}$ $V_{RIN}=4.00\text{V}$	3.944	4.004	4.064	V
		$V_{CCA}=V_{CCD}=5.000\text{V}$ V_{RIN}, V_{ROUT} Short	3.884	4.004	4.124	V
Output resistance	R_o	—	—	240	—	Ω
Power supply current	I_{CC}	$V_{CC}=5.25\text{V}$ V_{RIN}, V_{ROUT} Short	—	*70	102	mA

Note: $V_{CCA} = V_{CCD} = 5.00\text{V}$

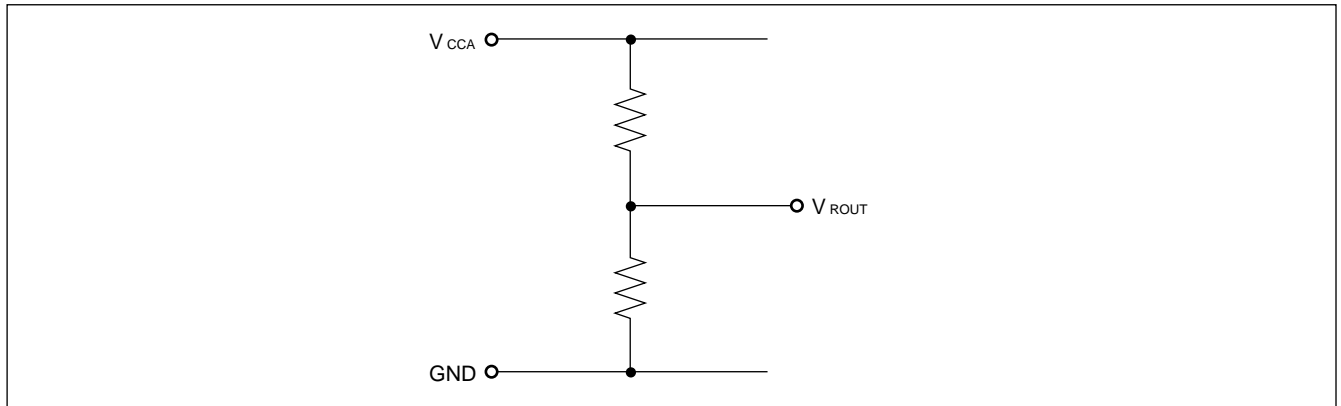
■ SWITCHING CHARACTERISTICS

($V_{CCA} = V_{CCD} = 4.75$ to 5.25 V, $T_a = 0$ to 70°C)

Parameter	Symbol	Value			Unit
		Min.	Typ.	Max.	
Maximum conversion rate	F_s	60	—	—	MSPS
Output delay time	t_{PLH} t_{PHL}	—	10	—	ns
Output rise time	t_r	—	5	—	ns
Output fall time	t_f	—	5	—	ns

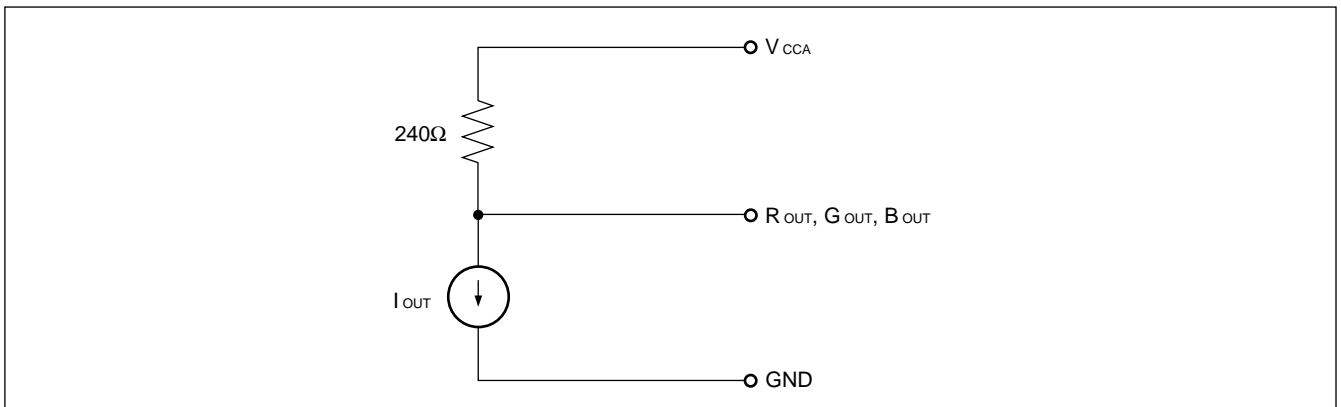
■ REFERENCE VOLTAGE OUTPUT EQUIVALENT CIRCUIT

- V_{ROUT}

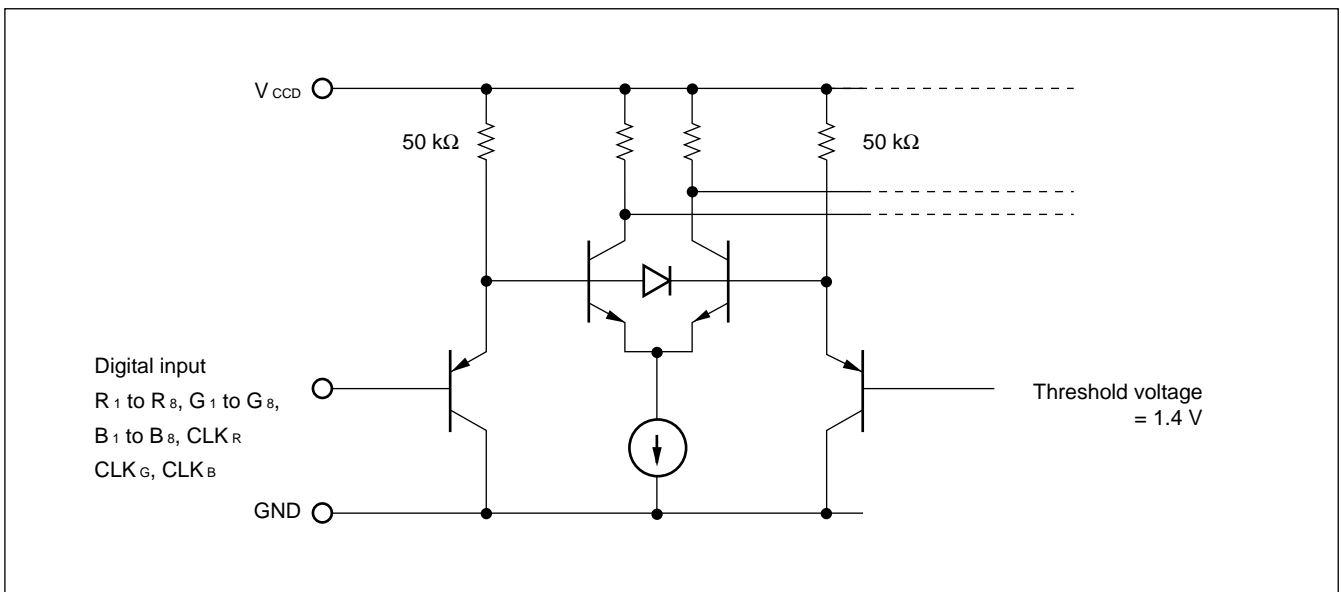


■ ANALOG OUTPUT EQUIVALENT CIRCUIT

- R_{OUT} , G_{OUT} , B_{OUT}

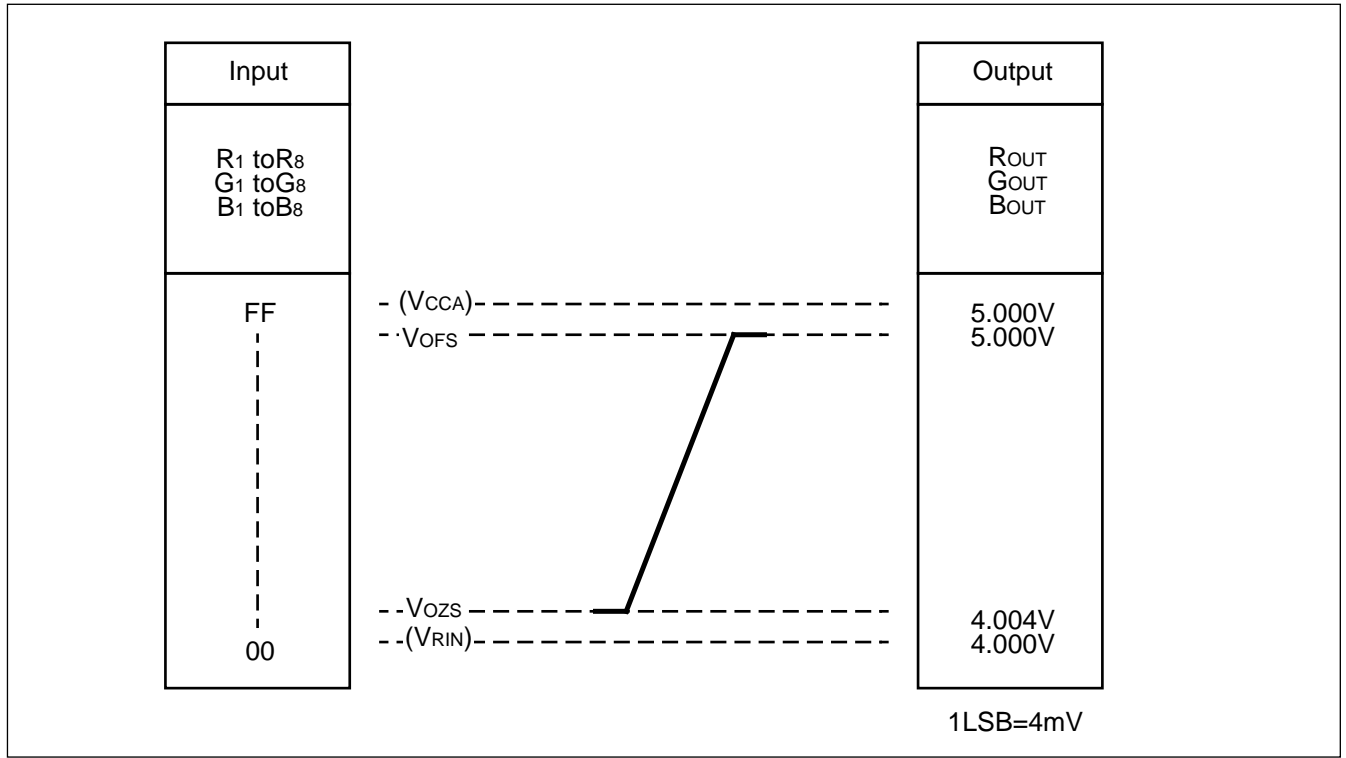


■ DIGITAL INPUT EQUIVALENT CIRCUIT

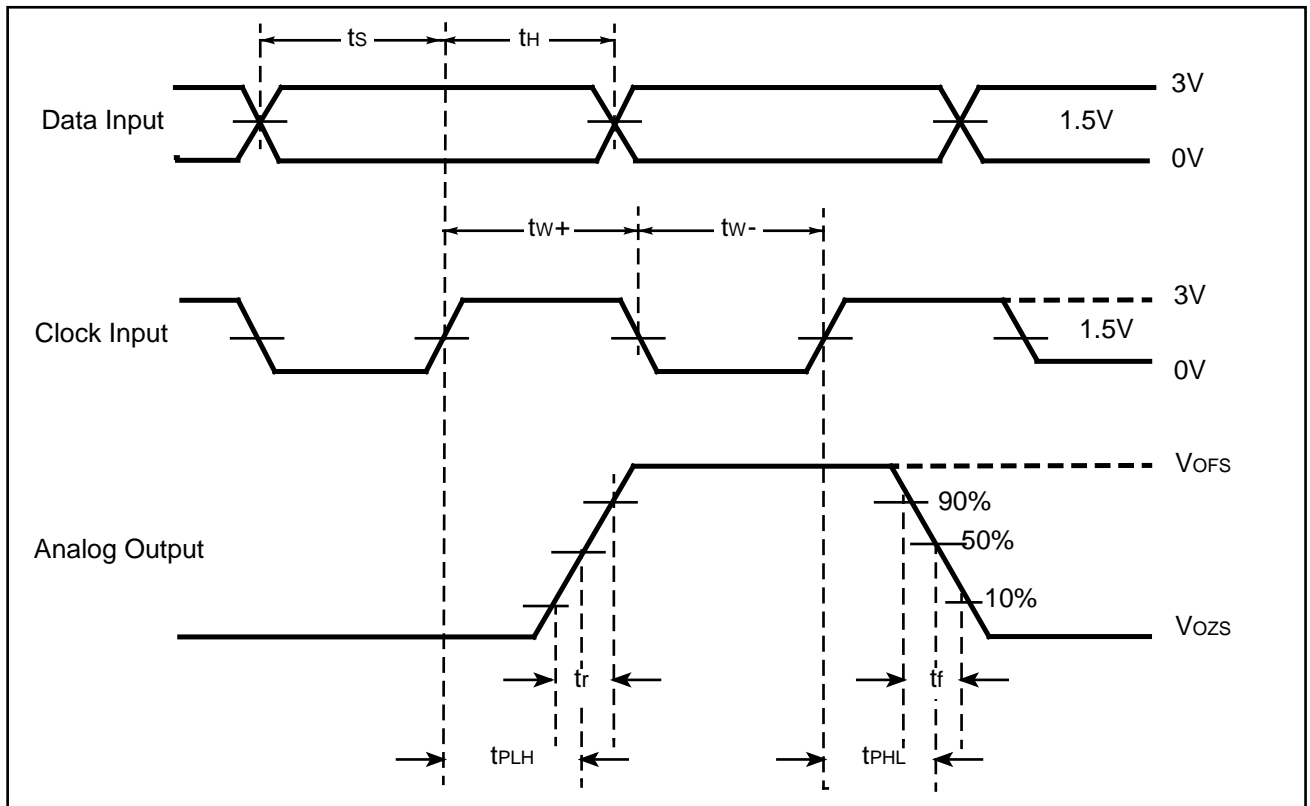


MB40978

■ DAC OUTPUT VOLTAGE

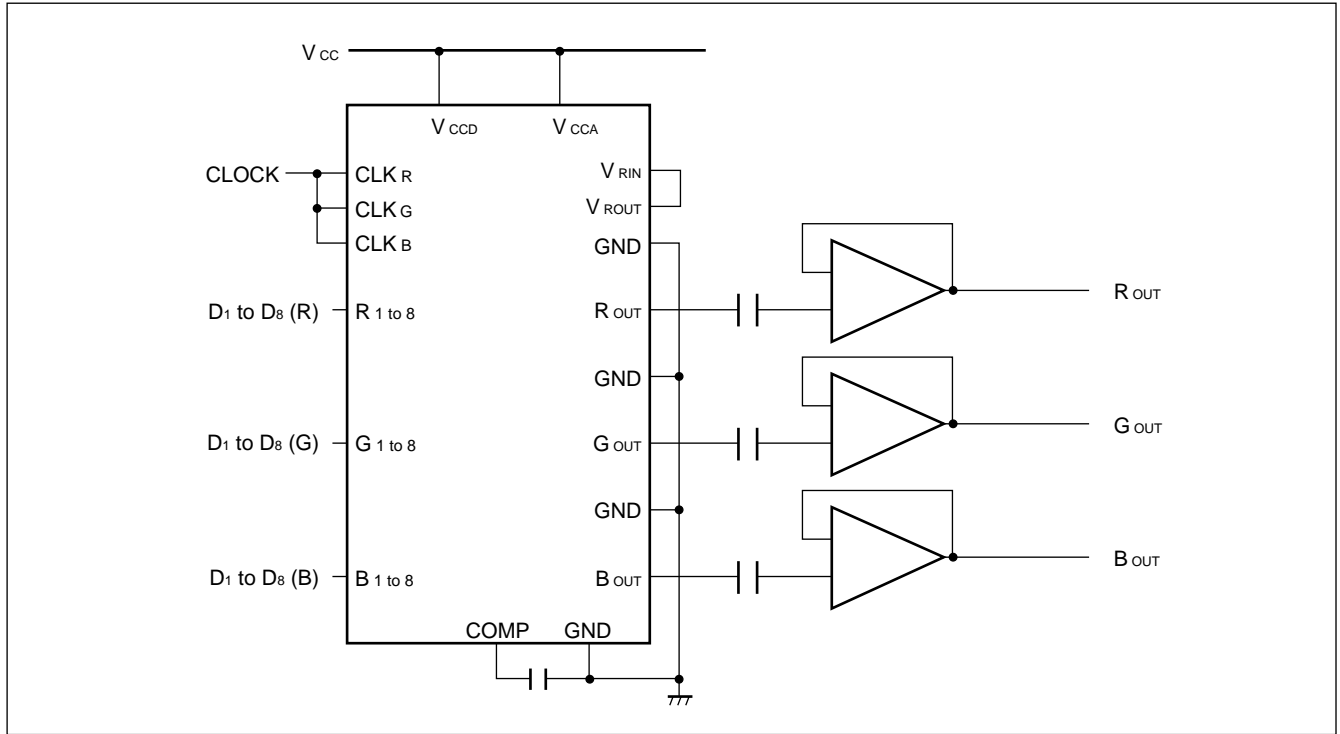


■ TIMING DIAGRAM

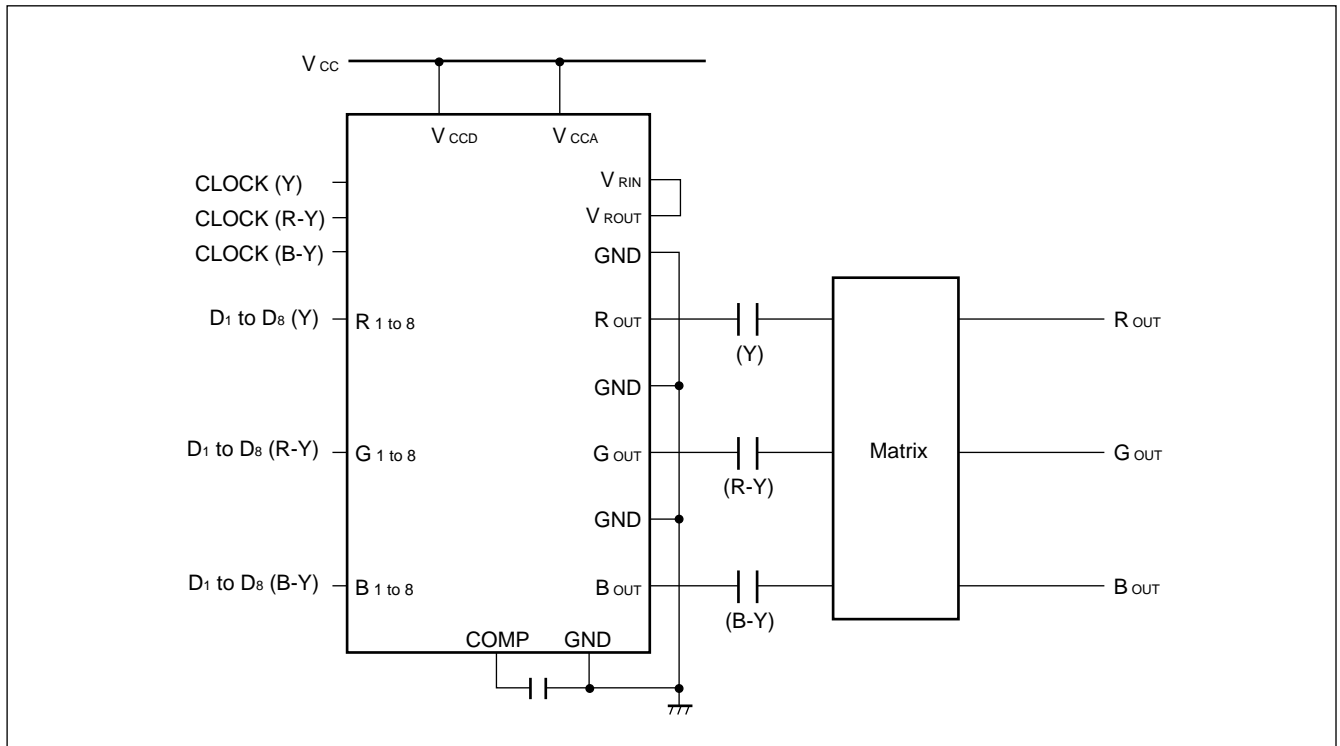


■ APPLICATION EXAMPLES

1. RGB Signal Process

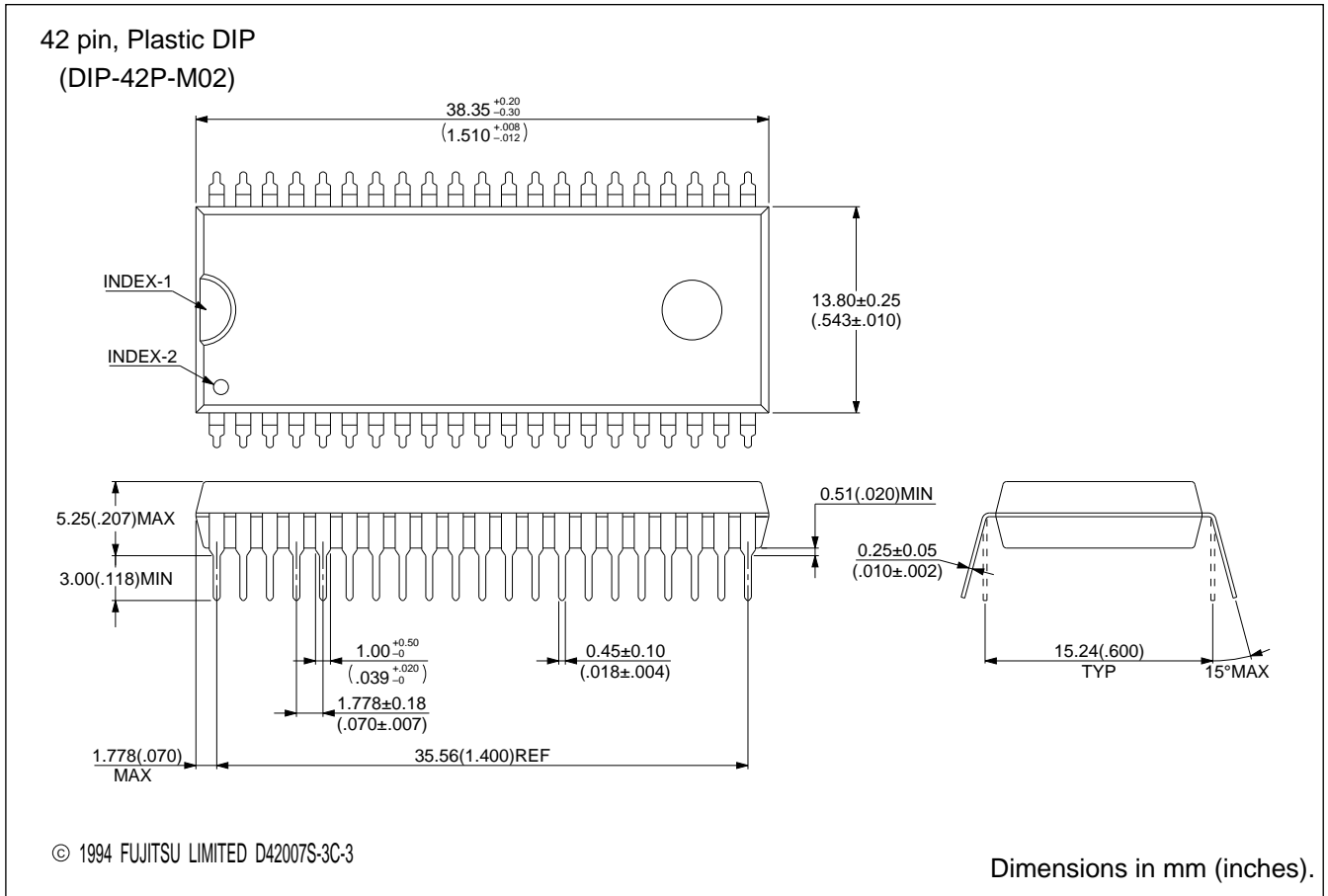


2. Component Signal Processing



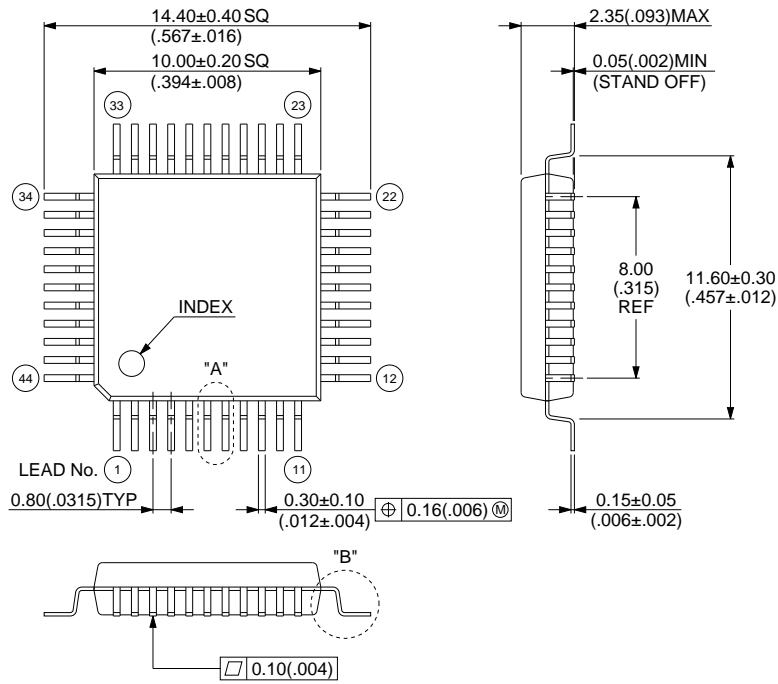
MB40978

■ PACKAGE DIMENSIONS



(Continued)

44 pin, Plastic FPT
 (FPT-44P-M11)



© 1994 FUJITSU LIMITED F44018S-1C-1

Dimensions in mm (inches).

MB40978

FUJITSU LIMITED

For further information please contact:

Japan

FUJITSU LIMITED
Corporate Global Business Support Division
Electronic Devices
KAWASAKI PLANT, 4-1-1, Kamikodanaka
Nakahara-ku, Kawasaki-shi
Kanagawa 211-88, Japan
Tel: (044) 754-3753
Fax: (044) 754-3329

North and South America

FUJITSU MICROELECTRONICS, INC.
Semiconductor Division
3545 North First Street
San Jose, CA 95134-1804, U.S.A.
Tel: (408) 922-9000
Fax: (408) 432-9044/9045

Europe

FUJITSU MIKROELEKTRONIK GmbH
Am Siebenstein 6-10
63303 Dreieich-Buchsschlag
Germany
Tel: (06103) 690-0
Fax: (06103) 690-122

Asia Pacific

FUJITSU MICROELECTRONICS ASIA PTE. LIMITED
#05-08, 151 Lorong Chuan
New Tech Park
Singapore 556741
Tel: (65) 281 0770
Fax: (65) 281 0220

All Rights Reserved.

The contents of this document are subject to change without notice. Customers are advised to consult with FUJITSU sales representatives before ordering.

The information and circuit diagrams in this document presented as examples of semiconductor device applications, and are not intended to be incorporated in devices for actual use. Also, FUJITSU is unable to assume responsibility for infringement of any patent rights or other rights of third parties arising from the use of this information or circuit diagrams.

FUJITSU semiconductor devices are intended for use in standard applications (computers, office automation and other office equipment, industrial, communications, and measurement equipment, personal or household devices, etc.).

CAUTION:

Customers considering the use of our products in special applications where failure or abnormal operation may directly affect human lives or cause physical injury or property damage, or where extremely high levels of reliability are demanded (such as aerospace systems, atomic energy controls, sea floor repeaters, vehicle operating controls, medical devices for life support, etc.) are requested to consult with FUJITSU sales representatives before such use. The company will not be responsible for damages arising from such use without prior approval.

Any semiconductor devices have inherently a certain rate of failure. You must protect against injury, damage or loss from such failures by incorporating safety design measures into your facility and equipment such as redundancy, fire protection, and prevention of over-current levels and other abnormal operating conditions.

If any products described in this document represent goods or technologies subject to certain restrictions on export under the Foreign Exchange and Foreign Trade Control Law of Japan, the prior authorization by Japanese government should be required for export of those products from Japan.