

ASSP For Power Supply Applications

With Power Mode Switching Function

2-ch DC/DC Converter IC With Synchronous Rectifier

MB3821

■ DESCRIPTION

The MB3821 is a pulse width modulation (PWM) type 2-channel DC/DC converter IC with synchronous rectification designed for low voltage, high efficiency operation in high precision and high frequency applications, ideal for down conversion.

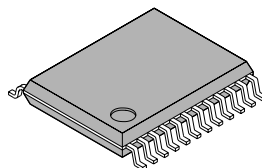
A normal/low-power mode selection is provided, ideal for an internal power supply (3.3V, 5V) in applications with substantial load current variation, such as notebook computers.

■ FEATURES

- Synchronous rectification
- High efficiency : 93 % (normal power mode, $V_{IN} = 6\text{ V}$, load 1 A)
: 84 % (low power mode, $V_{IN} = 6\text{ V}$, load 20 mA)
- Built-in power mode selector circuit
- Reference voltage accuracy : $2.5\text{V} \pm 2\%$
- Built-in error amp input control type soft start circuit
- Totem pole type output for N-ch MOSFET applications
- Built-in timer-latch type short protection circuit

■ PACKAGE

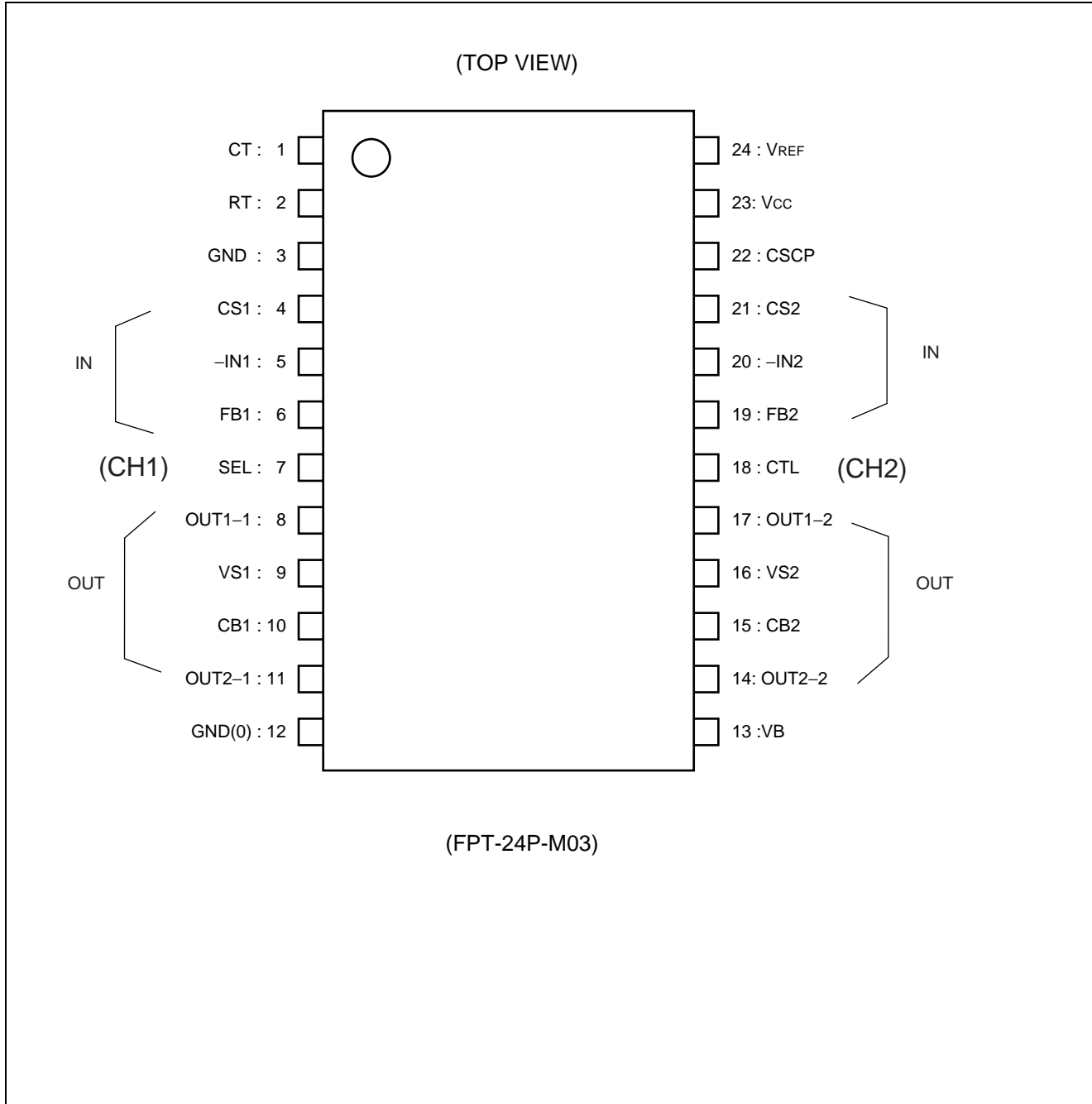
24-pin, Plastic SSOP



(FPT-24P-M03)

MB3821

■ PIN ASSIGNMENT

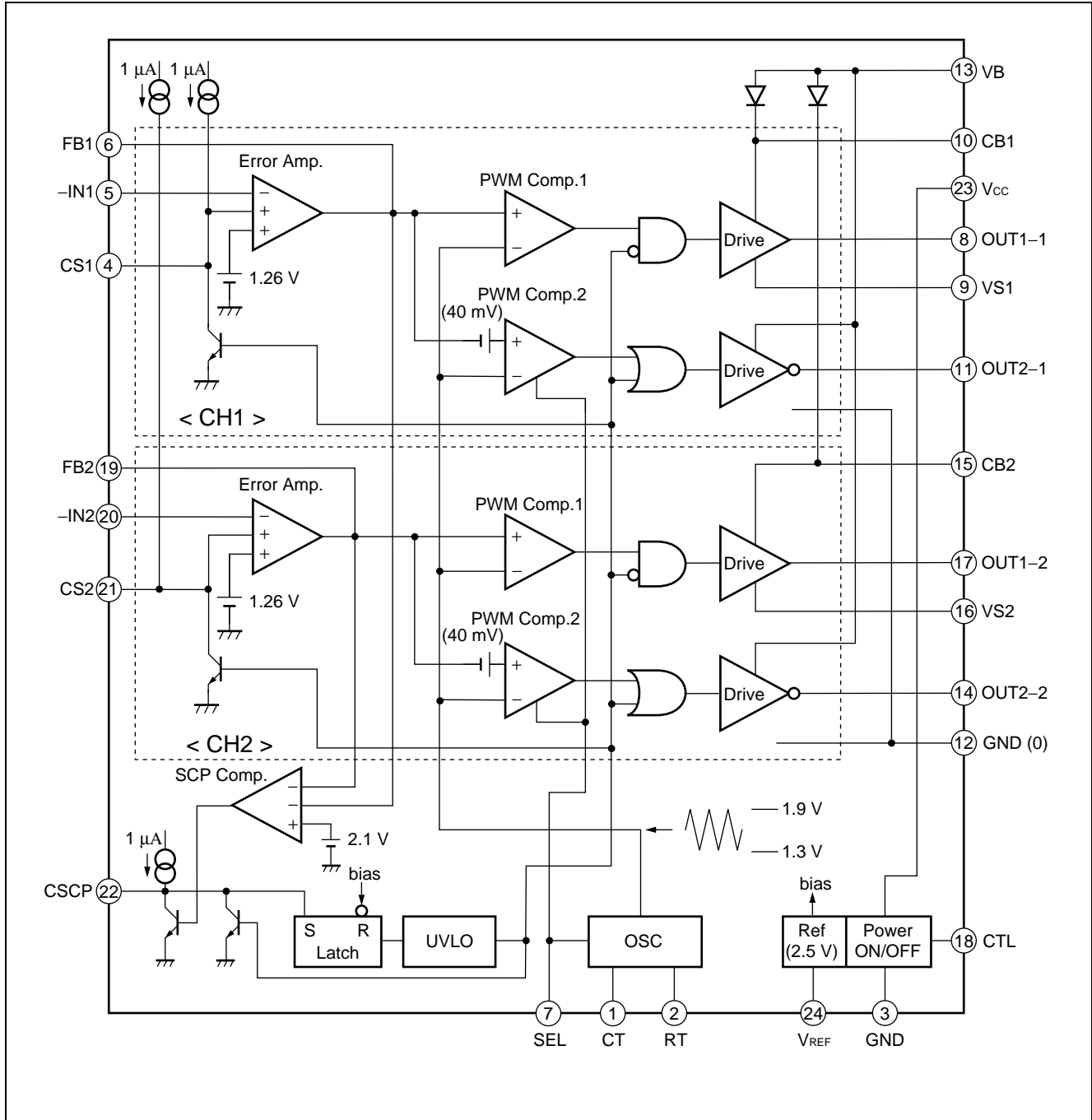


■ PIN DESCRIPTION

Pin No.	Symbol	I/O	Descriptions
1	CT	—	Triangular wave oscillator frequency setting capacitance connection pin.
2	RT	—	Triangular wave oscillator frequency setting resistance connection pin.
3	GND	—	Ground pin.
4	CS1	—	Capacitor connection pin for Channel 1 soft start (also channel control).
5	-IN1	I	Channel 1 error amplifier inverted input pin.
6	FB1	O	Channel 1 error amplifier output pin
7	SEL	I	Mode select pin. Set the SEL pin to "H" level to switch the IC to low power mode.
8	OUT1-1	I	Totem pole type output pin (external main side FET gate drive).
9	VS1	—	Channel 1 external main side FET source connection pin.
10	CB1	—	Channel 1 boot capacitance connection pin.
11	OUT2-1	O	Channel 1 totem pole output pin (external main side FET gate drive).
12	GND(0)	—	Ground pin for output circuit.
13	VB	—	Power supply pin for output circuit.
14	OUT2-2	O	Channel 2 totem pole output pin (external synchronous rectifier side FET gate drive).
15	CB2	—	Channel 2 boot capacitance connection pin.
16	VS2	—	Channel 2 external main side FET source connection pin.
17	OUT1-2	O	Channel 2 totem pole output pin (external main side FET gate drive).
18	CTL	I	Power supply control pin. Set CTL pin to "L" to switch the IC to standby mode.
19	FB2	O	Channel 2 error amplifier output pin.
20	-IN2	I	Channel 2 error amplifier inverted input pin.
21	CS2	—	Channel 2 soft start capacitance connection pin(also channel control).
22	CSCP	—	Timer-latch short circuit protection capacitance connection pin.
23	V _{CC}	—	Reference power supply, control circuit power supply pin.
24	V _{REF}	O	Reference voltage output pin.

MB3821

■ BLOCK DIAGRAM



MB3821

■ ABSOLUTE MAXIMUM RATINGS

Parameter	Symbol	Conditions	Rating		Unit
			Min.	Max.	
Power supply voltage	V_{CC}	—	—	32	V
Bias voltage	V_B	—	—	17	V
Output current	I_O	—	—	50	mA
Output peak current	I_O	Duty \leq 5 %	—	500	mA
Power dissipation	P_D	$T_a \leq +25^\circ\text{C}$	—	740*	mW
Storage temperature	T_{stg}	—	-55	+125	$^\circ\text{C}$

* : The packages are mounted on the epoxy board (10 cm \times 10 cm).

WARNING: Semiconductor devices can be permanently damaged by application of stress (voltage, current, temperature, etc.) in excess of absolute maximum ratings. Do not exceed these ratings.

■ RECOMMENDED OPERATING CONDITIONS

Parameter	Symbol	Conditions	Value			Unit
			Min.	Typ.	Max.	
Power supply voltage	V_{CC}	—	4.5	16	30	V
Bias voltage	V_B	—	—	6	16	V
Reference voltage output current	I_{OR}	—	-1	—	0	mA
Input voltage	V_{IN}	-IN pin	0	—	$V_{CC} - 1.8$	V
		SEL, CTL pin	0	—	30	V
Output current	I_O	OUT pin	-30	—	30	mA
Output peak current	I_O	Duty \leq 5 %	-300	—	300	mA
Timing capacitance	C_T	—	150	500	15000	pF
Timing resistance	R_T	—	6.8	10	12	k Ω
Oscillator frequency	f_{osc}	SEL = 0 V (Normal mode)	10	200	500	kHz
		SEL = 5 V (Low power mode)	1	20	50	kHz
Soft-start capacitance	C_S	—	—	0.1	1.0	μF
Short detection capacitance	C_{SCP}	—	—	0.01	1.0	μF
Boot capacitance	C_B	—	—	0.1	1.0	μF
Operating ambient temperature	T_a	—	-30	+25	+85	$^\circ\text{C}$

WARNING: The recommended operating conditions are required in order to ensure the normal operation of the semiconductor device. All of the device's electrical characteristics are warranted when the device is operated within these ranges.

Always use semiconductor devices within their recommended operating condition ranges. Operation outside these ranges may adversely affect reliability and could result in device failure.

No warranty is made with respect to uses, operating conditions, or combinations not represented on the data sheet. Users considering application outside the listed conditions are advised to contact their FUJITSU representatives beforehand.

MB3821

■ ELECTRICAL CHARACTERISTICS

(V_{CC} = 16 V, SEL = 0 V, Ta = +25°C)

Parameter	Symbol	Pin No.	Conditions	Value			Unit		
				Min.	Typ.	Max.			
Reference voltage block	Output voltage	V _{REF}	24	V _{REF} = 0 mA	2.45	2.50	2.55	V	
	Output voltage temperature variation	$\frac{\Delta V_{REF}}{V_{REF}}$	24	Ta = -30°C to +85°C	—	0.5*	—	%	
	Input stability	Line	24	V _{CC} = 4.5 V to 30 V	—	—	15	mV	
	Load stability	Load	24	V _{REF} = 0 mA to -1.0 mA	—	—	15	mV	
	Short-circuit output current	I _{OS}	24	V _{REF} = 1 V	-60	-25	—	mA	
Under voltage lockout protection circuit block(U.V.L.O)	Threshold voltage	V _{TH}	4,21	V _{CC} = $\frac{1}{2}$	3.2	3.5	3.8	V	
	Hysteresis width	V _H	4,21	—	—	0.18	—	V	
	Reset voltage	V _{RST}	4,21	—	2.4	2.8	—	V	
Soft-start block	Charge current	I _{CS}	4,21	—	-1.4	-1.0	-0.6	μA	
	Input standby voltage	V _{STB}	4,21	—	—	50	100	mV	
Short circuit detection block	Threshold voltage	V _{TH}	4,21	—	0.63	0.68	0.73	V	
	Input source current	I _{CSCP}	22	—	-1.4	-1.0	-0.6	μA	
	Short detection time	t _{SCP}	22	C _{SCP} = 0.01 μF	4.5	6.8	12.2	ms	
	Input standby voltage	V _{STB}	22	—	—	50	100	mV	
	Input latch voltage	V _I	22	—	—	50	100	mV	
Triangular wave oscillator block	Oscillator frequency	f _{OSC}	8,11, 14,17	C _T = 500pF, R _T = 10 kΩ	SEL = 0 V	180	200	220	kHz
					SEL = 5 V	16	20	24	kHz
	Mode select voltage	V _{LOW}	7	7	Low power mode	2.0	—	—	V
					Normal mode	—	—	1.0	V
	Input current	I _{SEL}	7	7	SEL = 5 V	—	50	80	μA
	Frequency stability for voltage	Δf/fdv	8,11, 14,17	8,11, 14,17	C _T = 500pF, R _T = 10 kΩ V _{CC} = 4.5V to 30V	SEL = 0 V	—	1	10
SEL = 5 V						—	1	10	%
Frequency stability for temperature	Δf/fdt	8,11, 14,17	8,11, 14,17	C _T = 500pF, R _T = 10 kΩ Ta = -30°C to +85°C	SEL = 0 V	—	1*	—	%
					SEL = 5 V	—	1*	—	%

*: Standard design value.

(Continued)

MB3821

(Continued)

(V_{CC} = 16 V, SEL = 0 V, Ta = +25°C)

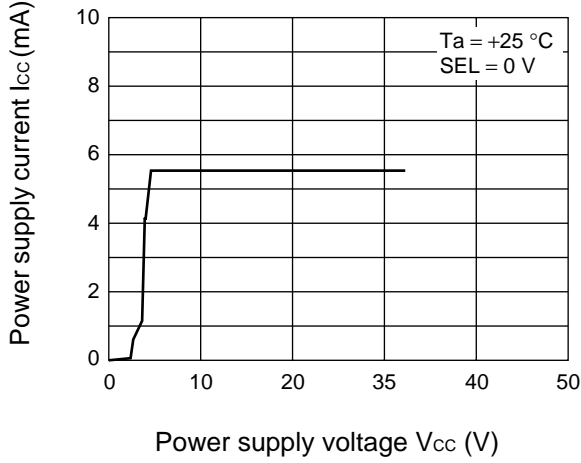
	Parameter	Symbol	Pin No.	Conditions	Value			Unit	
					Min.	Typ.	Max.		
Error amplifier block	Threshold voltage	V _{TH}	6,19	FB = 1.6 V	1.235	1.260	1.285	V	
	V _T temperature stability	$\frac{\Delta V_T}{V_T}$	6,19	Ta = -30°C to +85°C	—	0.5*	—	%	
	Input bias current	I _B	5,20	-IN = 0 V	-200	-50	—	nA	
	Voltage gain	A _V	6,19	DC	60	100	—	dB	
	Frequency bandwidth	BW	6,19	A _V = 0 dB	—	800*	—	kHz	
	Output voltage	V _{OH}	6,19	—	V _{REF} - 0.3	—	—	V	
		V _{OL}	6,19	—	—	0.8	1.0	V	
	Output source current	I _{SOURCE}	6,19	FB = 1.6 V	—	-90	-45	μA	
Output sink current	I _{SINK}	6,19	FB = 1.6 V	1.5	6.0	—	mA		
PWM Comp. block	Threshold voltage	V _{TL}	8,11	Duty cycle = 0 %	1.2	1.3	—	V	
		V _{TH}	14,17	Duty cycle = Dtr	—	1.9	2.0	V	
Dead time control block	Maximum duty cycle	Dtr	8,11, 14,17	C _T = 500 pF R _T = 10 kΩ	SEL = 0 V	85	90	95	%
					SEL = 5 V	89	94	99	%
Output block (Drive)	Output voltage (Main side)	V _{OH}	8,17	V _S = 16 V C _B = 22 V	I _o = -30 mA	CB - 1.4	CB - 1.1	—	V
		V _{OL}	8,17			I _o = 30 mA	—	V _S + 1.1	V _S + 1.4
	Output voltage (Synchronous rectifier side)	V _{OH}	11,14	I _o = -30 mA	VB - 1.4	VB - 1.1	—	V	
		V _{OL}	11,14	I _o = 30 mA	—	0.1	0.5	V	
	Diode voltage	V _{DIODE}	13	I _o = 10 mA	—	1.0	1.1	V	
Control block	CTL input voltage	V _{IH}	18	IC active mode	2.0	—	—	V	
		V _{IL}	18	IC standby mode	—	—	1.0	V	
	Input current	I _{CTL}	18	CTL = 5 V	—	50	80	μA	
General	Standby current	I _{CCS}	23	CTL = 0 V	—	—	10	μA	
	Power supply current	I _{CC}	23	SEL = 0 V (Normal mode)	—	5.2	7.8	mA	
			23	SEL = 5 V (Low power mode)	—	1.0	1.5	mA	

*: Standard design value.

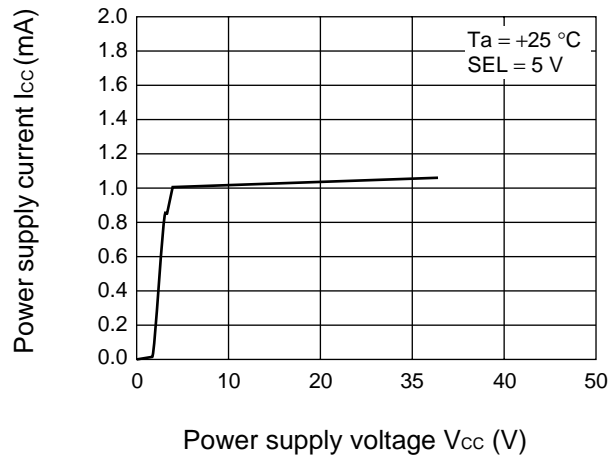
MB3821

■ TYPICAL CHARACTERISTICS

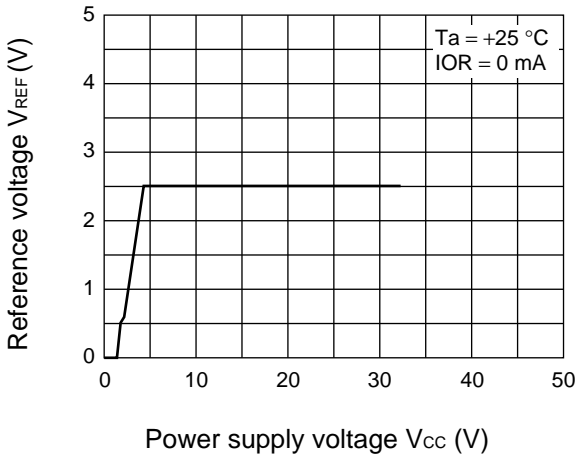
Power supply current vs. power supply voltage



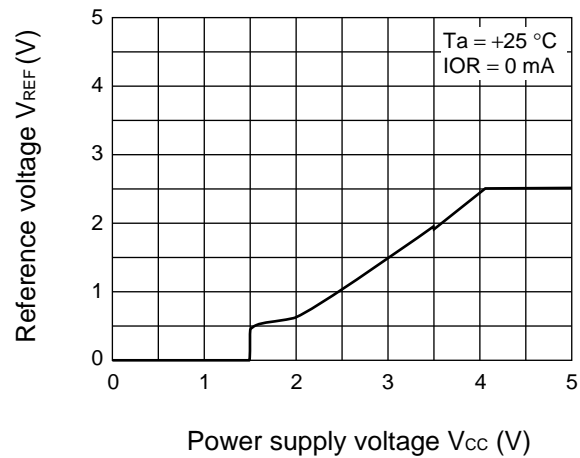
Power supply current vs. power supply voltage



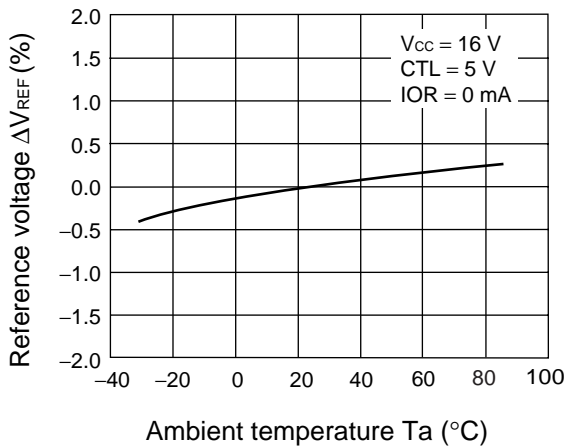
Reference voltage vs. power supply voltage



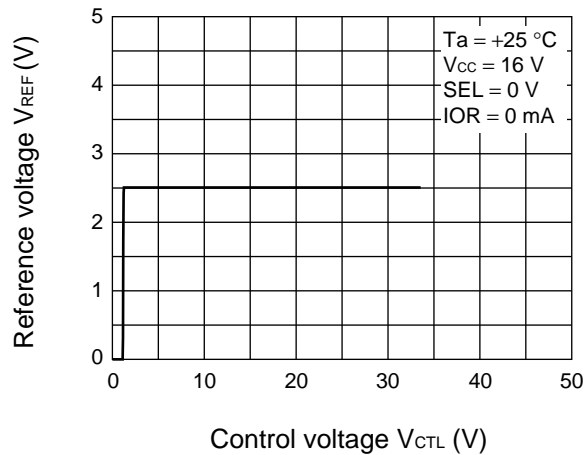
Reference voltage vs. power supply voltage



Reference voltage vs. ambient temperature



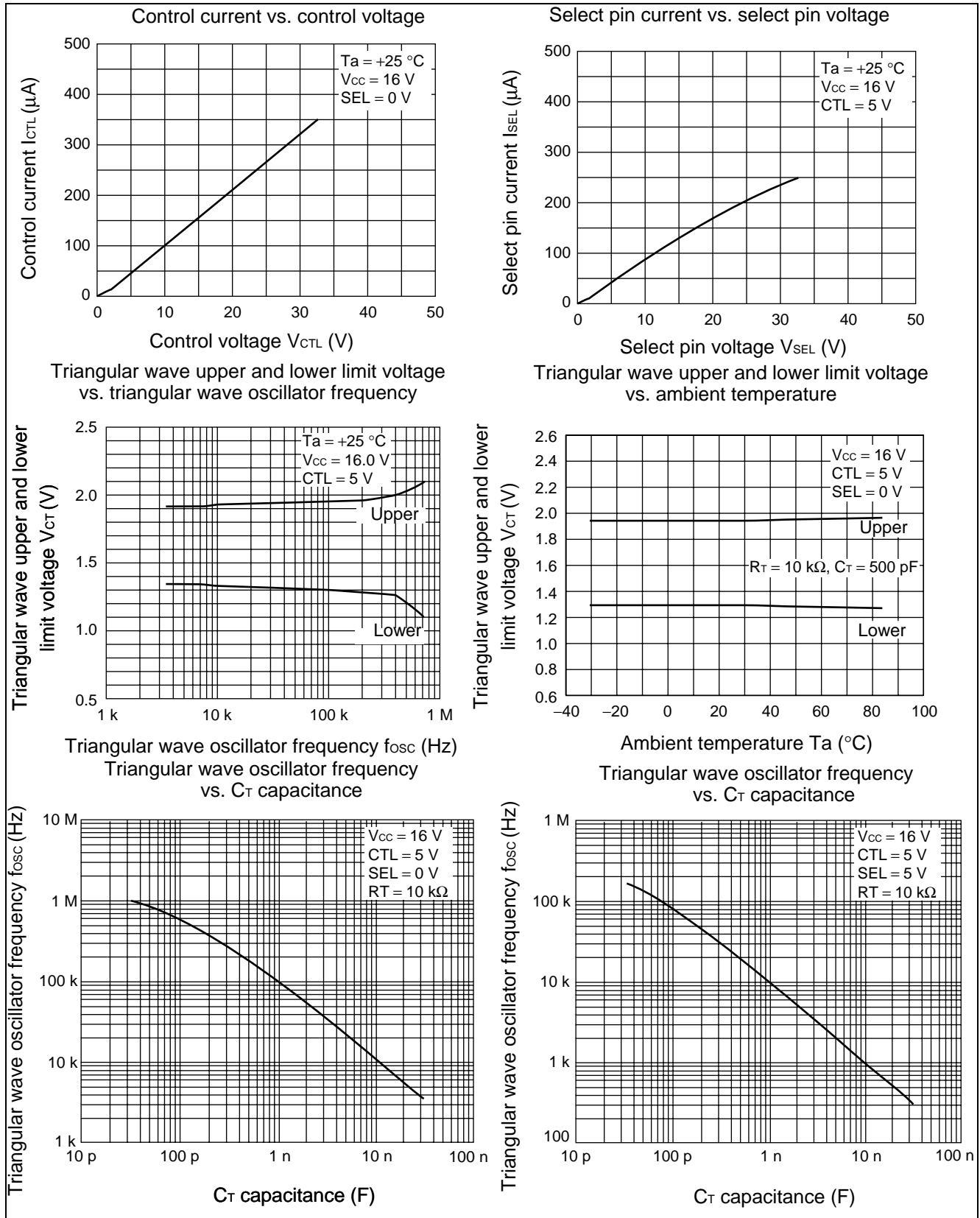
Reference voltage vs. control voltage



(Continued)

MB3821

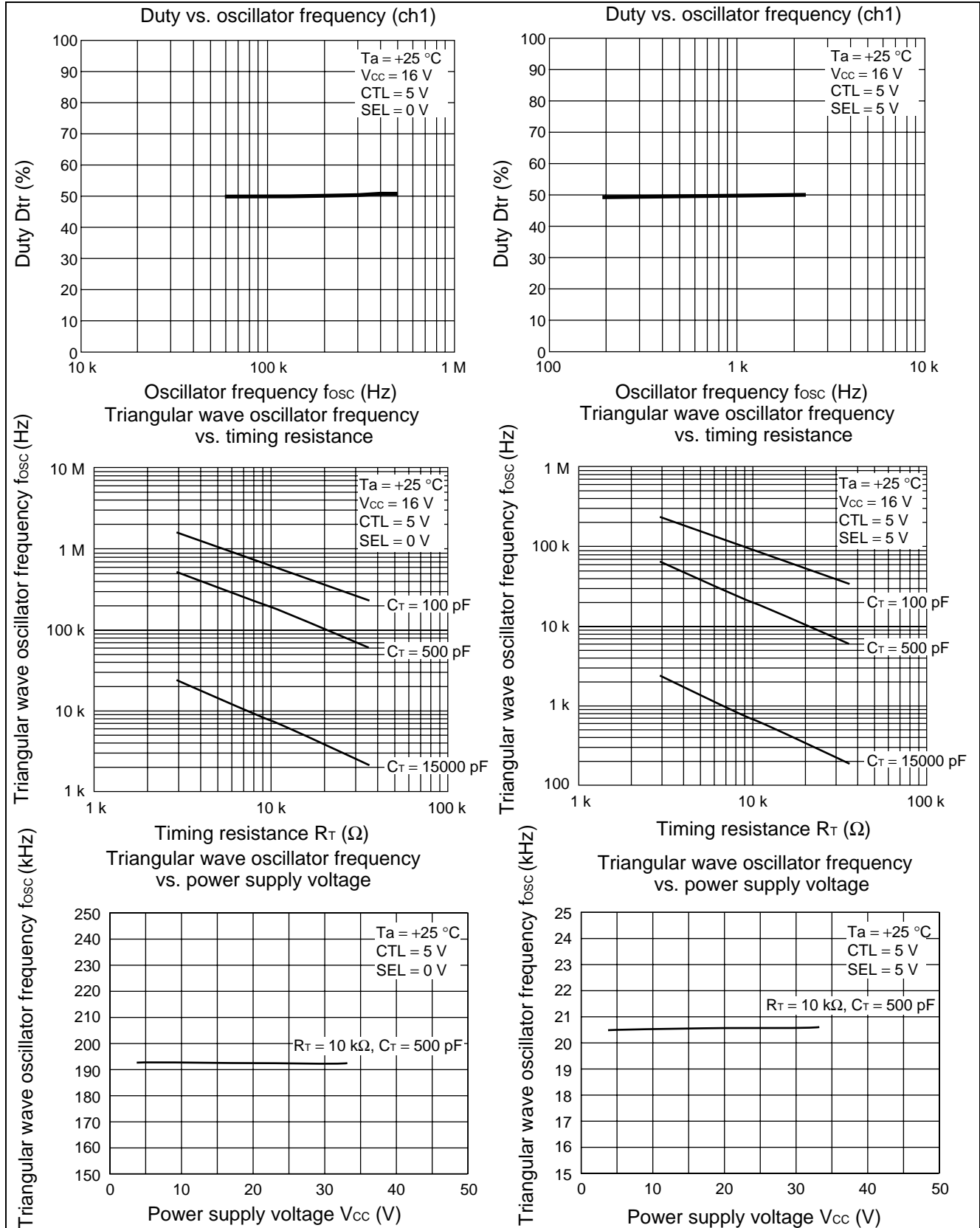
(Continued)



(Continued)

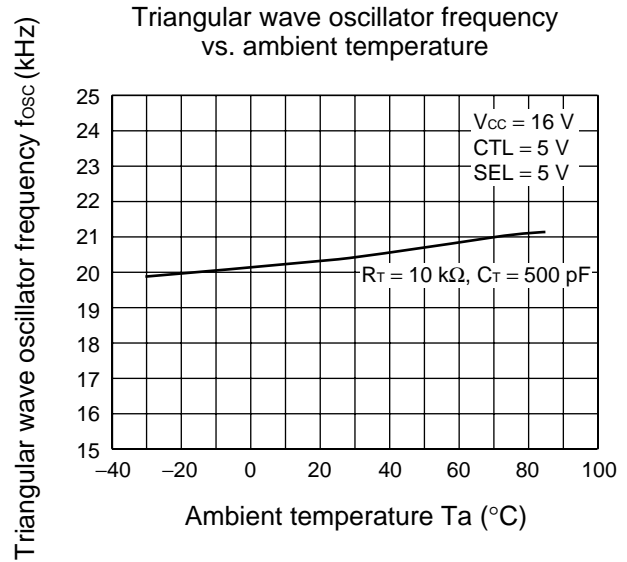
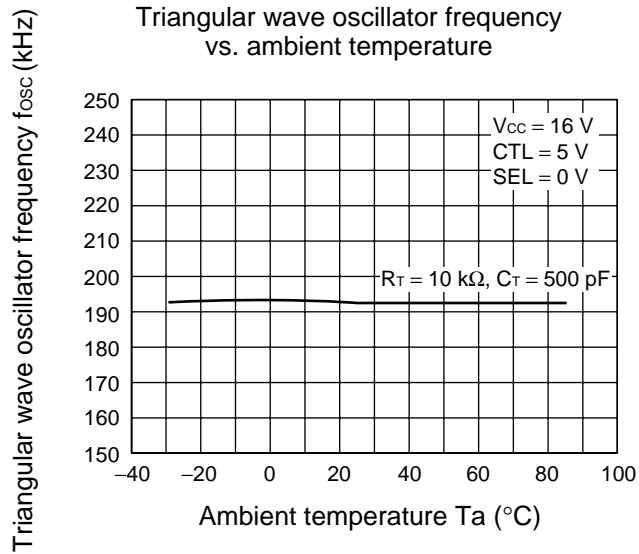
MB3821

(Continued)

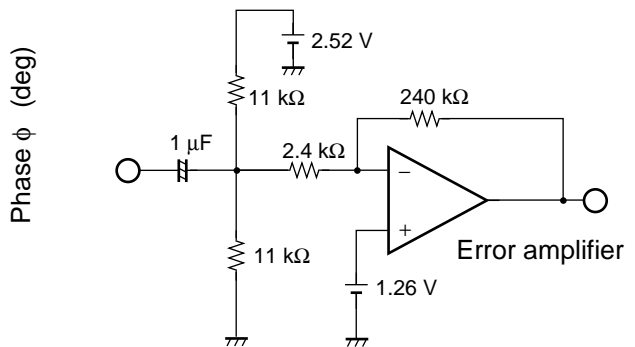
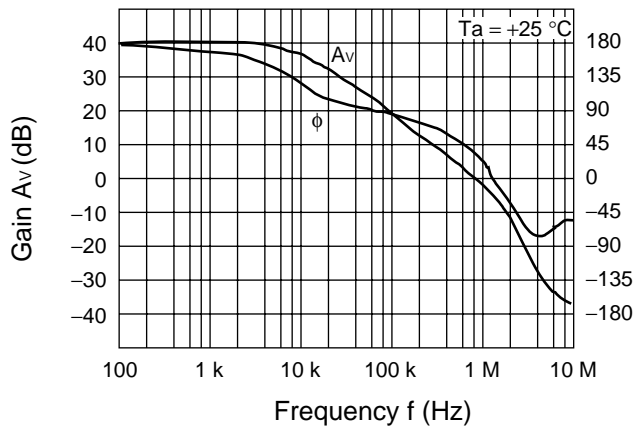


MB3821

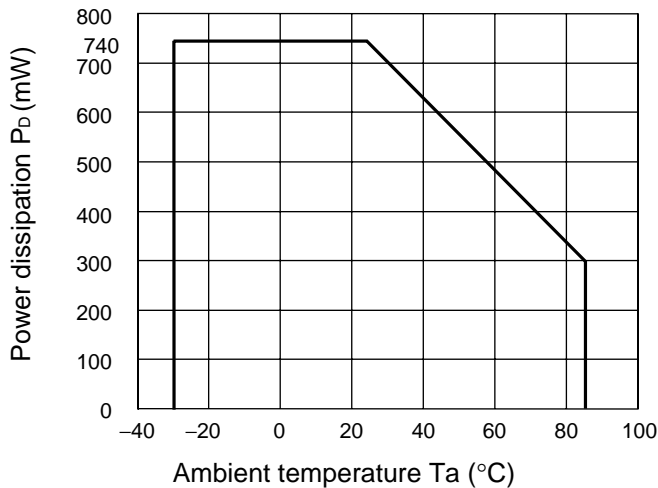
(Continued)



Error amplifier, gain and phase vs. frequency (ch1)



Power dissipation vs. ambient temperature



MB3821

■ FUNCTIONAL DESCRIPTION

1. DC/DC Converter Function

(1) Reference voltage circuit (Ref)

The reference voltage circuit generates a temperature-compensated reference voltage ($\cong 2.50$ V) using the voltage supplied from the power supply terminal (pin 23). This voltage is used as the reference voltage for the internal circuits of the IC. The reference voltage can also be supplied to an external device from the V_{REF} terminal (pin 24) up to a maximum current of 1mA.

(2) Triangular-wave oscillator circuit (OSC)

By connecting a frequency setting capacitor and a resistor to the C_T (pin 1) and the R_T (pin 2) terminals, it is possible to generate any desired triangular oscillation waveform.

The triangular wave is input to the PWM comparator within the IC.

(3) Error amplifier

This amplifier detects the output voltage of the DC/DC converter and outputs a PWM control signal accordingly. The system can be provided with stable phase compensation by connecting a feedback resistor and capacitor between the FB pin and the -IN pin of the error amplifier to create the desired level of loop gain.

Also, by connecting soft start capacitance to the CS terminal, which is the non inverted input pin for the error amplifier, it is possible to prevent current surges when the power supply is started. By using the error amplifier for soft start detection, it is possible to operate with a fixed soft start interval independent of the output load on the DC/DC converter.

(4) PWM comparators (PWM Comp.1, PWM Comp.2)

PWM Comp.1 and PWM Comp.2 are voltage-pulse width modulators that control the output duty according to input voltage.

PWM Comp.1 controls the pulse width on the main side output circuit, and PWM Comp.2 controls the pulse width on the synchronous rectifier side output circuit. The triangular wave generated by the triangular wave oscillator is compared to the error amplifier output voltage, and in the intervals when the error amplifier voltage is higher than the triangular wave, the main side output transistor is switched on and the synchronous rectifier side output transistor is switched off.

Also, PWM Comp.1 is set to a maximum duty cycle of approximately 90 % (normal mode).

(5) Output circuit (Drive)

The output circuits is comprised of a totem-pole configuration on both the main side and synchronous rectifier side, and can drive an external N-ch MOSFET.

(6) Mode select circuit (SEL)

The SEL terminal (pin 7) can set either channel to normal mode or low power mode.

In low power mode the triangular oscillator frequency is set to approximately 1/10 of normal mode, reducing the internal power consumption of the chip and enabling high efficiency power supply at light load levels.

(7) Power supply control circuit (CTL)

The CTL terminal (pin 18) is used for power supply on/off control (standby power consumption is 10 μ A or less).

2. Protection Functions

(1) Under Voltage Lockout Circuit (UVLO)

Power-on surge states or sudden drops in supply voltage can cause a control IC to operate abnormally, leading to destruction or damage to system elements. The under voltage lockout circuit detects the internal reference voltage level from the supply voltage, and shuts off the output transistors so that the inactive interval becomes 100%, holding the CSCP terminal (pin 22) voltage at "L" level.

Operation is restored as soon as the supply voltage exceeds the under voltage lockout circuit threshold voltage.

(2) Timer-Latch Short Circuit Protection Circuit (SCP)

This circuit detects the output voltage level from the error amplifier. When the error amplifier output voltage exceeds approximately 2.1V, a timer circuit is activated and charges the external capacitor at the CSCP terminal (pin 22). If the error amplifier output does not return to normal range before the capacitor voltage reaches approximately 0.7V, a latch circuit is activated and sets both the main and synchronous rectifier side output pins to "L" level. After the short protection circuit has been activated, it is reset by simply restarting the power supply. (See "METHOD OF SETTING TIME CONSTANT FOR TIMER LATCH SHORT-CIRCUIT PROTECTION CIRCUIT".)

MB3821

■ METHOD OF SETTING SOFT START TIME

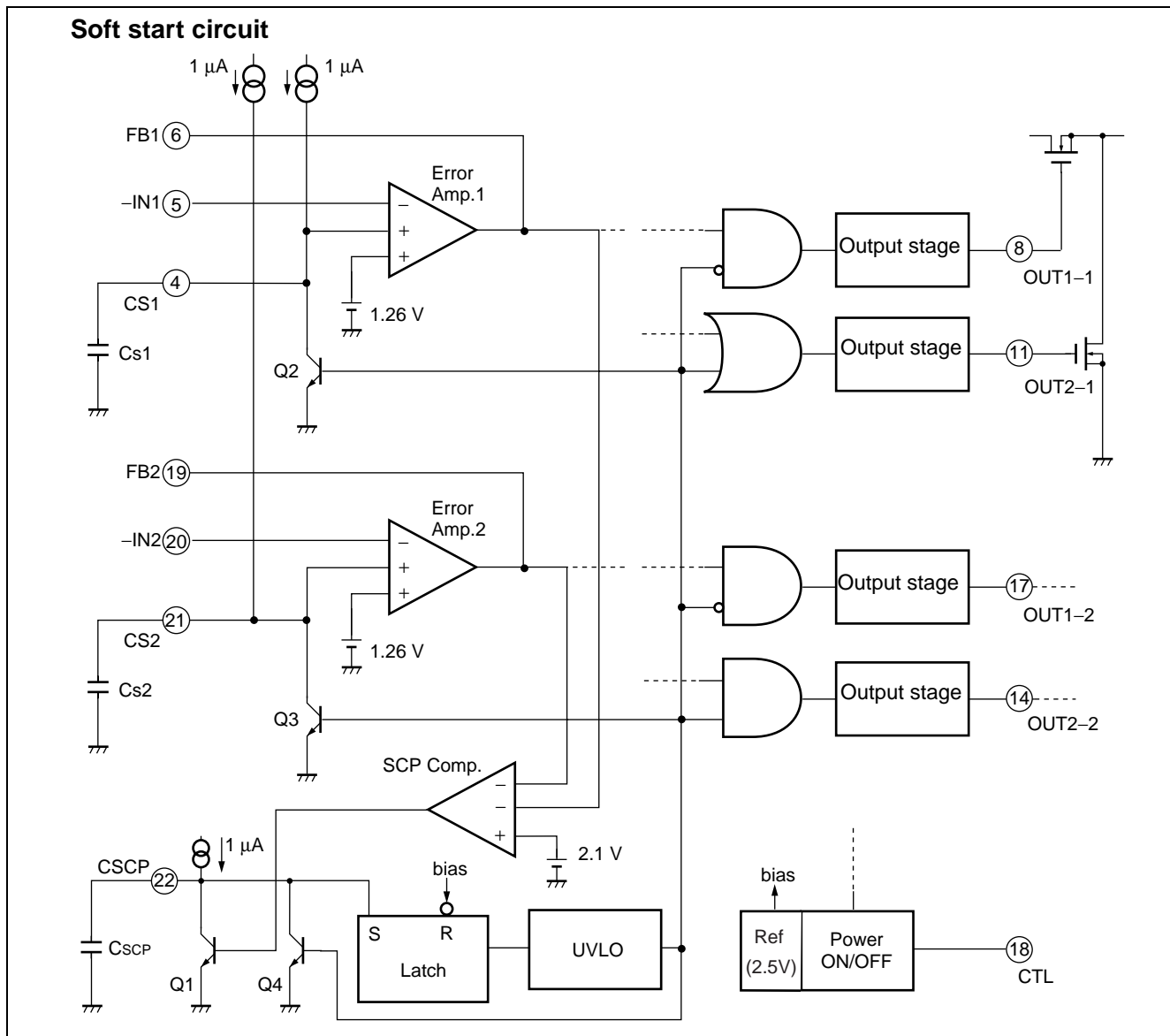
To provide a soft start by preventing current surges at power-on, soft start capacitors (Cs1, Cs2) are connected to both channels, the CS1 pin (pin 4) for CH1 and the CS2 pin (pin 21) for CH2.

When the IC is started (when the CTL pin (pin 18) goes to "H" level, and $V_{cc} \geq UVLO$ threshold voltage), transistors Q2 and Q3 switch off and the CS1 and CS2 pins begin charging the external soft start capacitors (Cs1, Cs2) at $1 \mu A$. The error amplifier contributes to a soft start with the proportionate output voltage to the CS1 and CS2 pin voltage regardless of the load current on the DC/DC converter.

The soft start time can be calculated by the following formula.

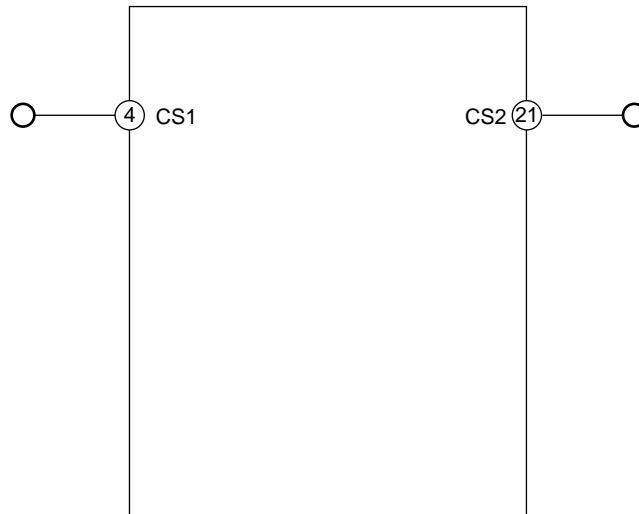
Soft start time (time to 100% output)

$$t_s(\text{sec}) \div 1.26 \times C_s (\mu\text{F})$$



■ TREATMENT WITHOUT USING CS TERMINAL

When you do not use the soft start circuit, open the CS1 terminal (pin 4) and CS2 terminal (pin 22).

Treatment When Not Using SCP

MB3821

■ METHOD OF SETTING TIME CONSTANT FOR TIMER-LATCH SHORT-CIRCUIT PROTECTION CIRCUIT

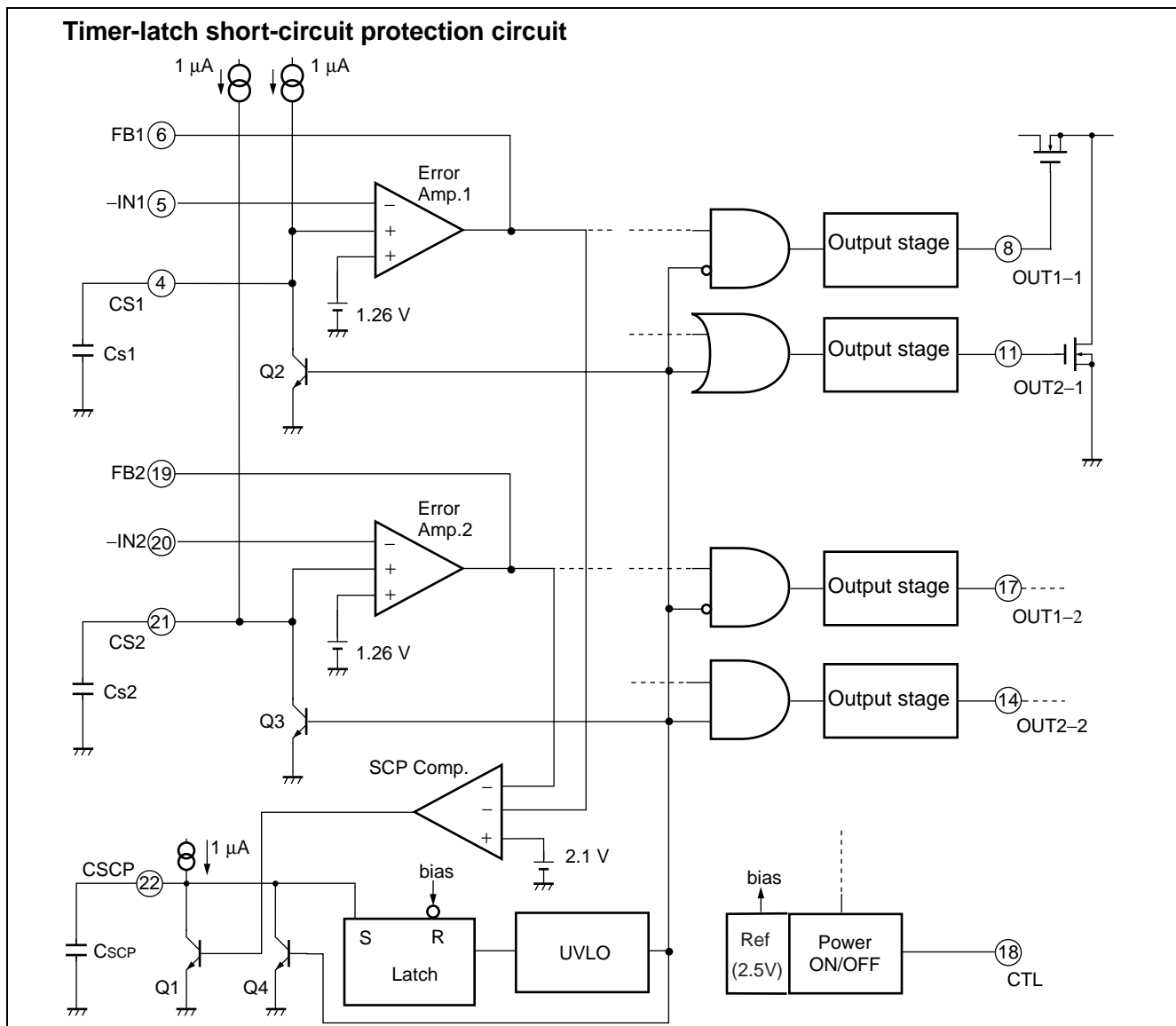
The short detection comparator (SCP comparator) constantly compares the error amplifier output level to the reference voltage.

While the switching regulator load conditions are stable on all channels, the short detection comparator output remains at "H" level, transistor Q1 is on, and the CSCP terminal (pin 22) is held at input standby voltage ($V_{STB} \approx 50\text{mV}$). If the load conditions change rapidly due to a short-circuiting of load, causing the output voltage to drop, the output from the short detection comparator goes to "L" level. This causes transistor Q1 to turn off and the external short protection capacitor C_{SCP} connected to the CSCP pin to charge at $1.0\ \mu\text{A}$.

Short Detection Time

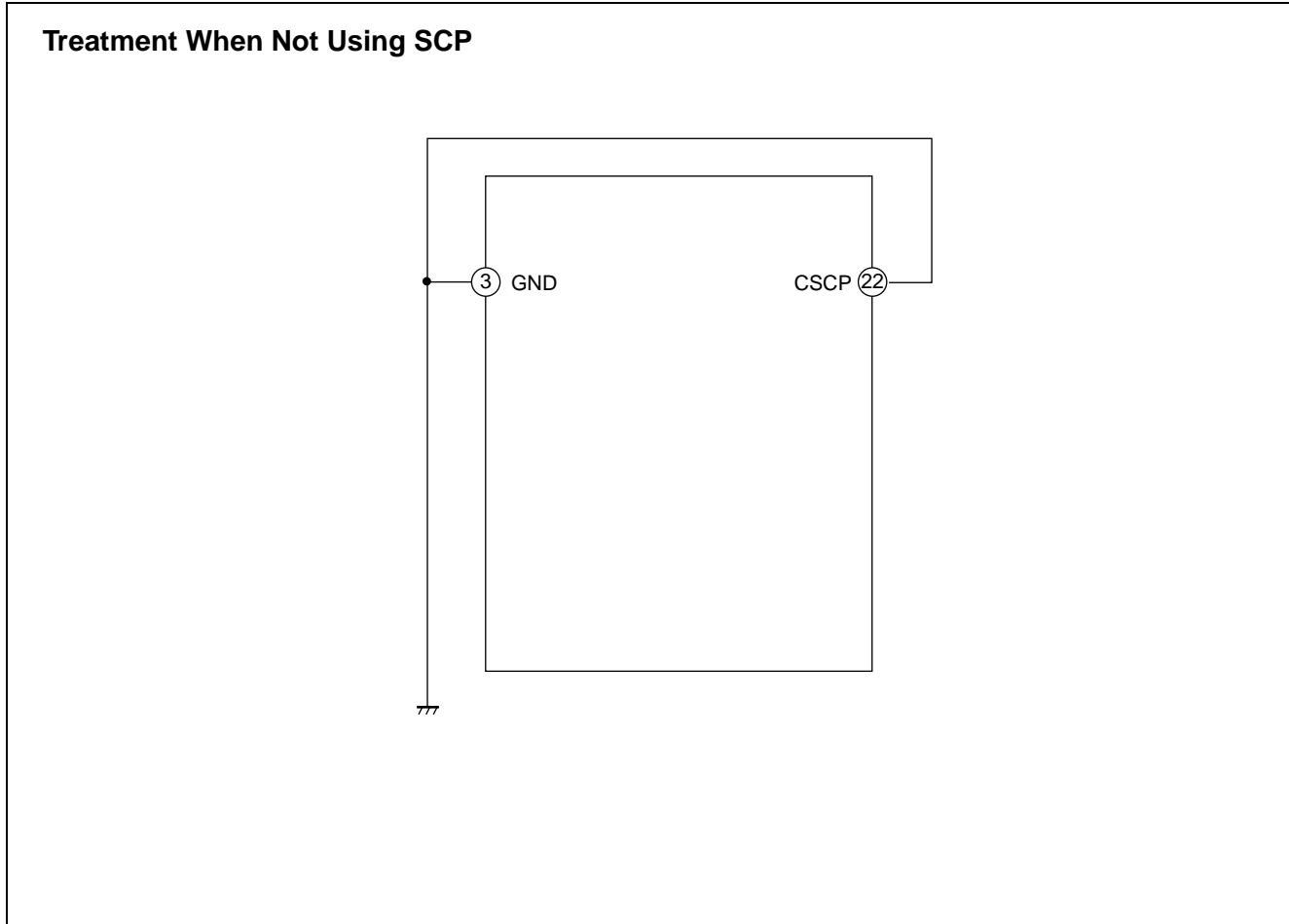
$$t_{SCP}(\text{sec}) \approx 0.7 \times C_{SCP} (\mu\text{F})$$

When the capacitor C_{SCP} is charged to the threshold voltage $V_{TH} \approx 0.7\ \text{V}$, the SR latch is set, and the external FET is turned off (inactive interval is set to 100%). At this point, the SR latch input is closed and the CSCP terminal is held at input latch voltage ($V_I \approx 50\ \text{mV}$).



■ TREATMENT WITHOUT USING CSCP TERMINAL

When you do not use the timer latch short-circuit protection circuit, connect the CSCP terminal (pin 22) to GND with the shortest distance.



■ Channel Control Method

On/off controls for either channel are enabled by setting the CS pins.

Setting Conditions

CS pin setting		Channel output state	
CS1	CS2	CH1	CH2
GND	GND	OFF	OFF
GND	Open	OFF	ON
Open	GND	ON	OFF
Open	Open	ON	ON

MB3821

■ METHOD OF SETTING OSCILLATOR FREQUENCY

Oscillator Frequency can be set by timing capacitor (C_T) connected to CT pin (pin 1) and timing resistor (R_T) connected to RT pin (pin 2).

Oscillator frequency

- Normal mode

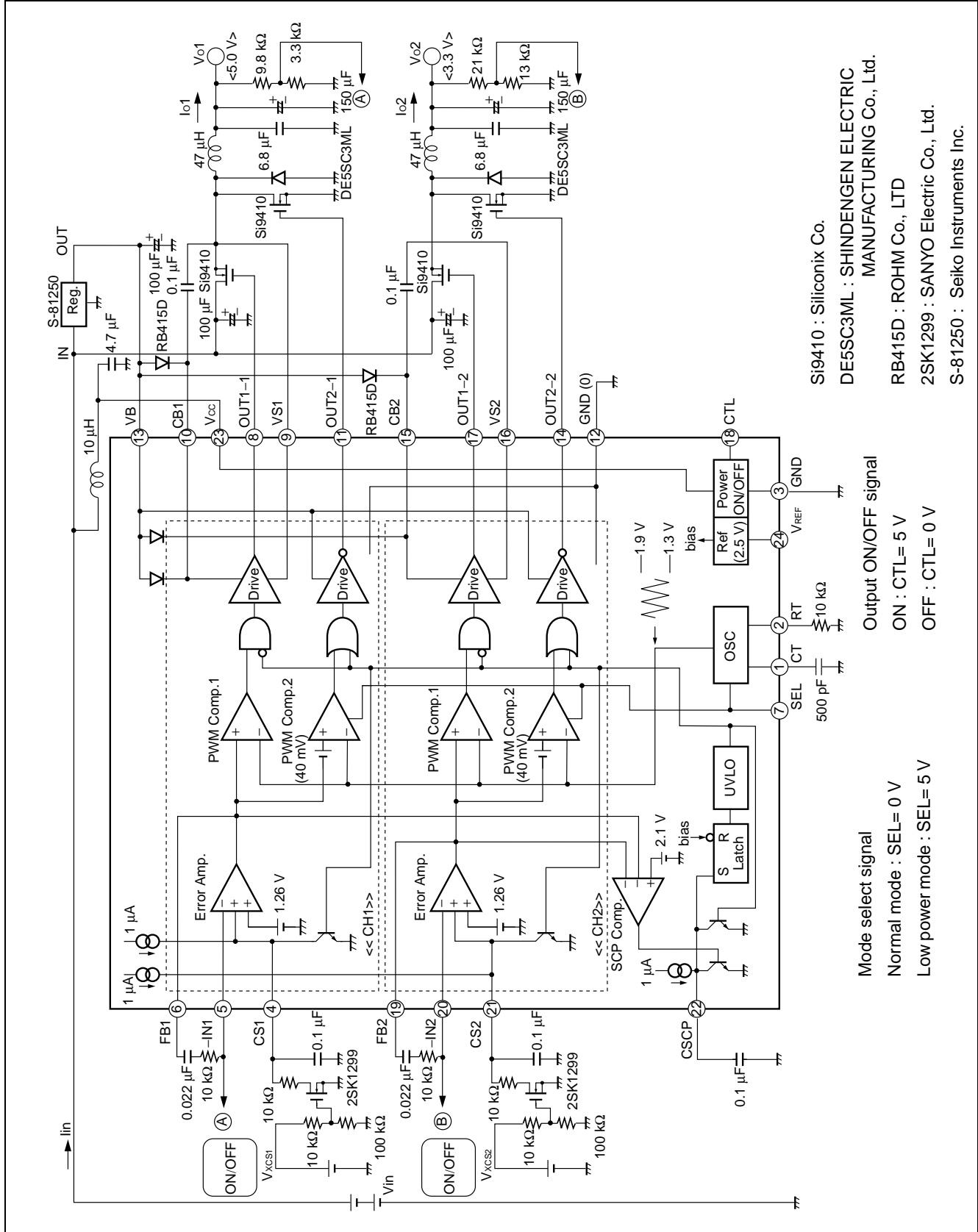
$$f_{osc} \text{ (kHz)} \doteq \frac{1000000}{C_T(\text{pF}) \times R_T(\text{k}\Omega)}$$

- Low power mode

$$f_{osc} \text{ (kHz)} \doteq \frac{100000}{C_T(\text{pF}) \times R_T(\text{k}\Omega)}$$

MB3821

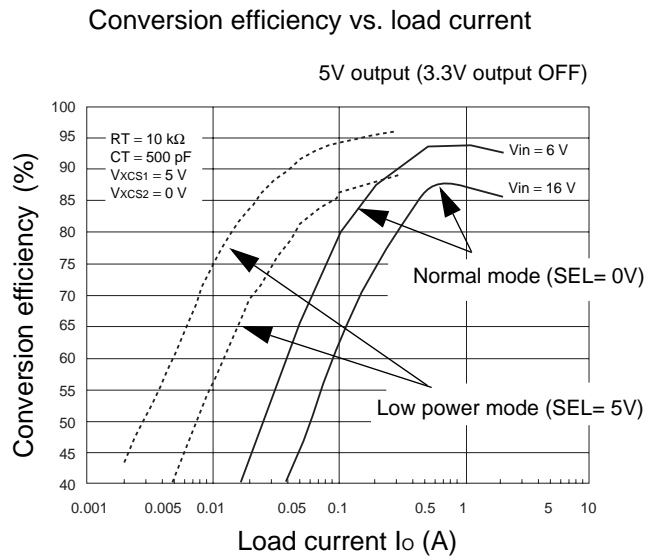
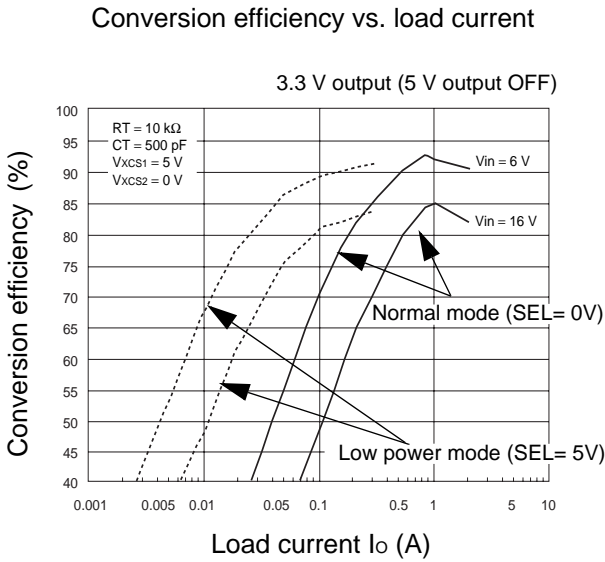
APPLICATION EXAMPLE



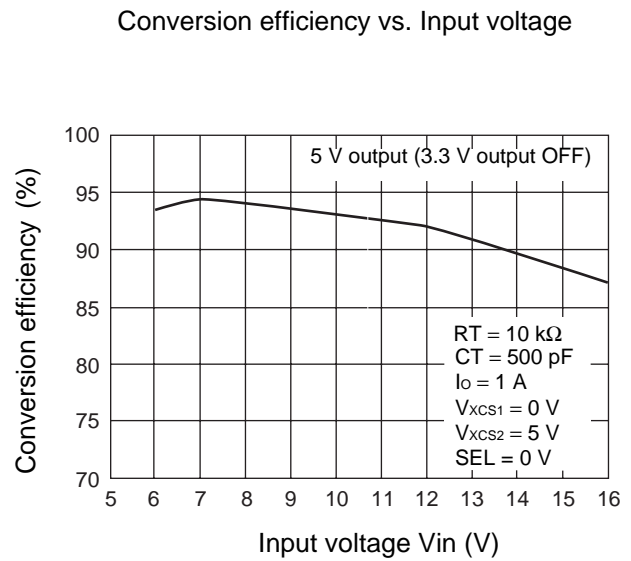
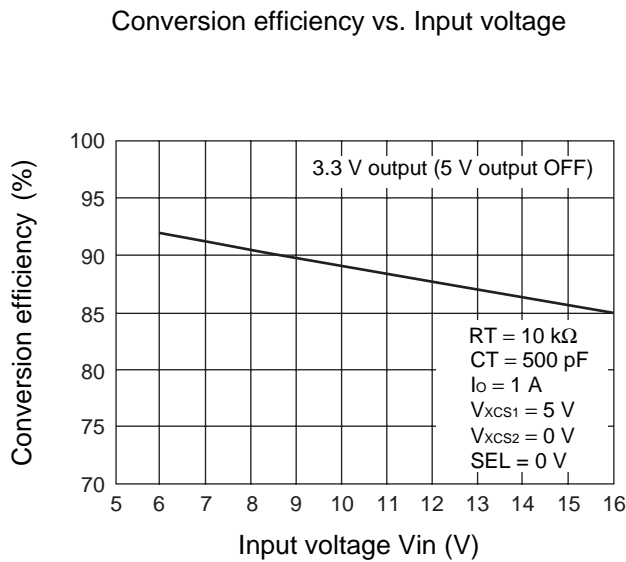
MB3821

■ REFERENCE DATA

• Load characteristic



• Normal mode

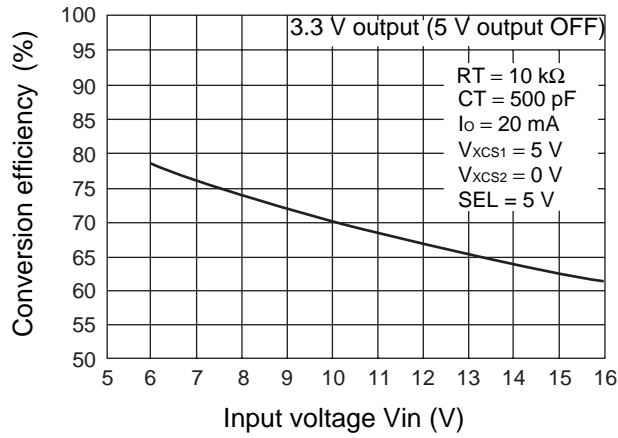


(Continued)

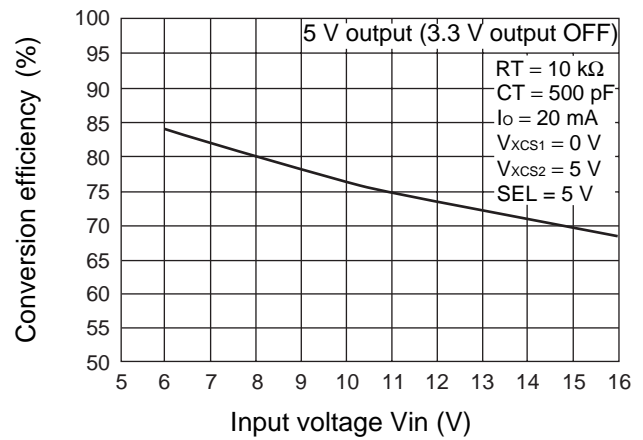
(Continued))

- **Low power mode**

Conversion efficiency vs. Input voltage



Conversion efficiency vs. Input voltage



MB3821

■ USAGE PRECAUTIONS

1. Never use setting exceeding maximum rated conditions.

Exceeding maximum rated conditions may cause permanent damage to the LSI.

Also, it is recommended that recommended operating conditions be observed in normal use.

Exceeding recommended operating conditions may adversely affect LSI reliability.

2. Use this device within recommended operating conditions.

Recommended operating conditions are values within which normal LSI operation is warranted.

Standard electrical characteristics are warranted within the range of recommended operating conditions and within the listed conditions for each parameter.

3. Printed circuit board ground lines should be set up with consideration for common impedance.

4. Take appropriate static electricity measures.

- Containers for semiconductor materials should have anti-static protection or be made of conductive material.
- After mounting, printed circuit boards should be stored and shipped in conductive bags or containers.
- Work platforms, tools, and instruments should be properly grounded.
- Working personnel should be grounded with resistance of 250 kΩ to 1 MΩ between body and ground.

■ ORDERING INFORMATION

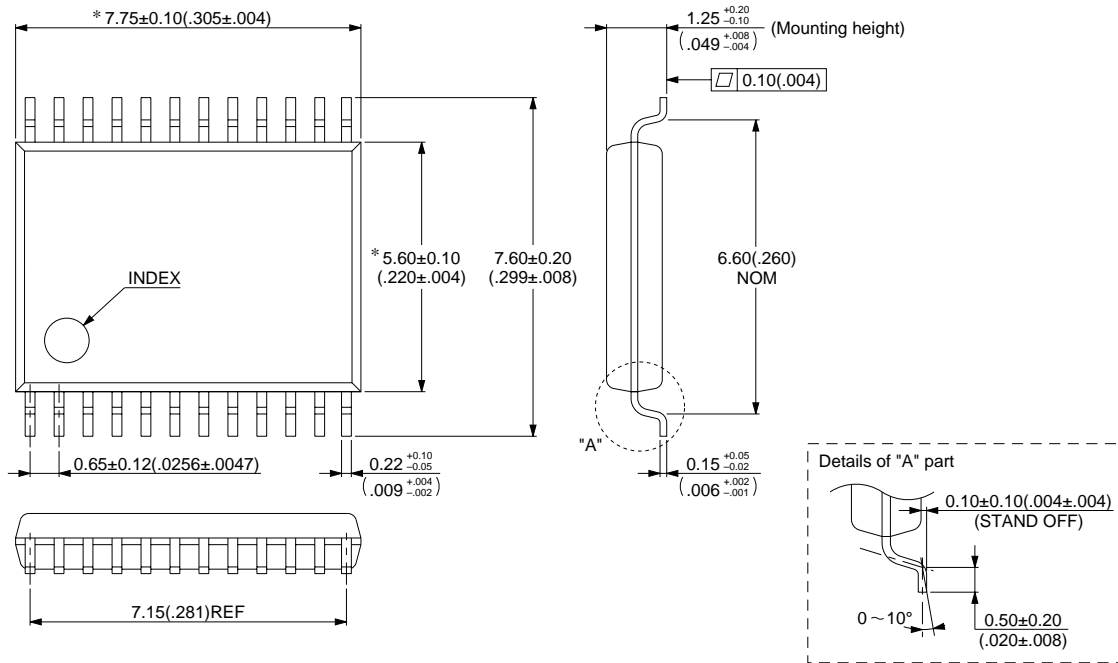
Part number	Package	Remarks
MB3821PFV	24-pin plastic LQFP (FPT-24P-M03)	

MB3821

■ PACKAGE DIMENSION

48-pin Plastic LQFP
(FPT-24P-M03)

*: These dimensions do not include resin protrusion.



© 1994 FUJITSU LIMITED F24018S-2C-2

Dimensions in: mm (inches)

MB3821

FUJITSU LIMITED

For further information please contact:

Japan

FUJITSU LIMITED
Corporate Global Business Support Division
Electronic Devices
KAWASAKI PLANT, 4-1-1, Kamikodanaka
Nakahara-ku, Kawasaki-shi
Kanagawa 211-8588, Japan
Tel: 81(44) 754-3763
Fax: 81(44) 754-3329

<http://www.fujitsu.co.jp/>

North and South America

FUJITSU MICROELECTRONICS, INC.
Semiconductor Division
3545 North First Street
San Jose, CA 95134-1804, USA
Tel: (408) 922-9000
Fax: (408) 922-9179

Customer Response Center
Mon. - Fri.: 7 am - 5 pm (PST)
Tel: (800) 866-8608
Fax: (408) 922-9179

<http://www.fujitsumicro.com/>

Europe

FUJITSU MIKROELEKTRONIK GmbH
Am Siebenstein 6-10
D-63303 Dreieich-Buchsschlag
Germany
Tel: (06103) 690-0
Fax: (06103) 690-122

<http://www.fujitsu-edc.com/>

Asia Pacific

FUJITSU MICROELECTRONICS ASIA PTE LTD
#05-08, 151 Lorong Chuan
New Tech Park
Singapore 556741
Tel: (65) 281-0770
Fax: (65) 281-0220

<http://www.fmap.com.sg/>

F9905

© FUJITSU LIMITED Printed in Japan

All Rights Reserved.

The contents of this document are subject to change without notice. Customers are advised to consult with FUJITSU sales representatives before ordering.

The information and circuit diagrams in this document are presented as examples of semiconductor device applications, and are not intended to be incorporated in devices for actual use. Also, FUJITSU is unable to assume responsibility for infringement of any patent rights or other rights of third parties arising from the use of this information or circuit diagrams.

FUJITSU semiconductor devices are intended for use in standard applications (computers, office automation and other office equipment, industrial, communications, and measurement equipment, personal or household devices, etc.).

CAUTION:

Customers considering the use of our products in special applications where failure or abnormal operation may directly affect human lives or cause physical injury or property damage, or where extremely high levels of reliability are demanded (such as aerospace systems, atomic energy controls, sea floor repeaters, vehicle operating controls, medical devices for life support, etc.) are requested to consult with FUJITSU sales representatives before such use. The company will not be responsible for damages arising from such use without prior approval.

Any semiconductor devices have an inherent chance of failure. You must protect against injury, damage or loss from such failures by incorporating safety design measures into your facility and equipment such as redundancy, fire protection, and prevention of over-current levels and other abnormal operating conditions.

If any products described in this document represent goods or technologies subject to certain restrictions on export under the Foreign Exchange and Foreign Trade Law of Japan, the prior authorization by Japanese government will be required for export of those products from Japan.