

## LED DISPLAY DRIVERS

- M5450 34 OUTPUTS/15mA SINK
- M5451 35 OUTPUTS/15mA SINK
- CURRENT GENERATOR OUTPUTS (NO EXTERNAL RESISTORS REQUIRED)
- CONTINUOUS BRIGHTNESS CONTROL
- SERIAL DATA INPUT
- ENABLE (ON M5450)
- WIDE SUPPLY VOLTAGE OPERATION
- TTL COMPATIBILITY

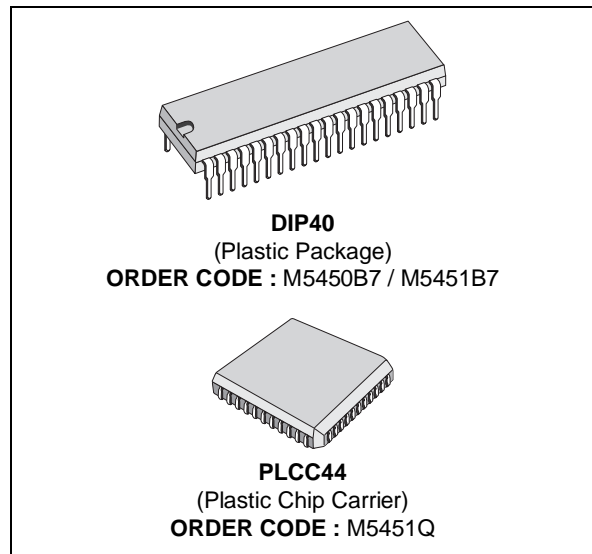
### Application Examples :

- MICROPROCESSOR DISPLAYS
- INDUSTRIAL CONTROL INDICATOR
- RELAY DRIVER
- INSTRUMENTATION READOUTS

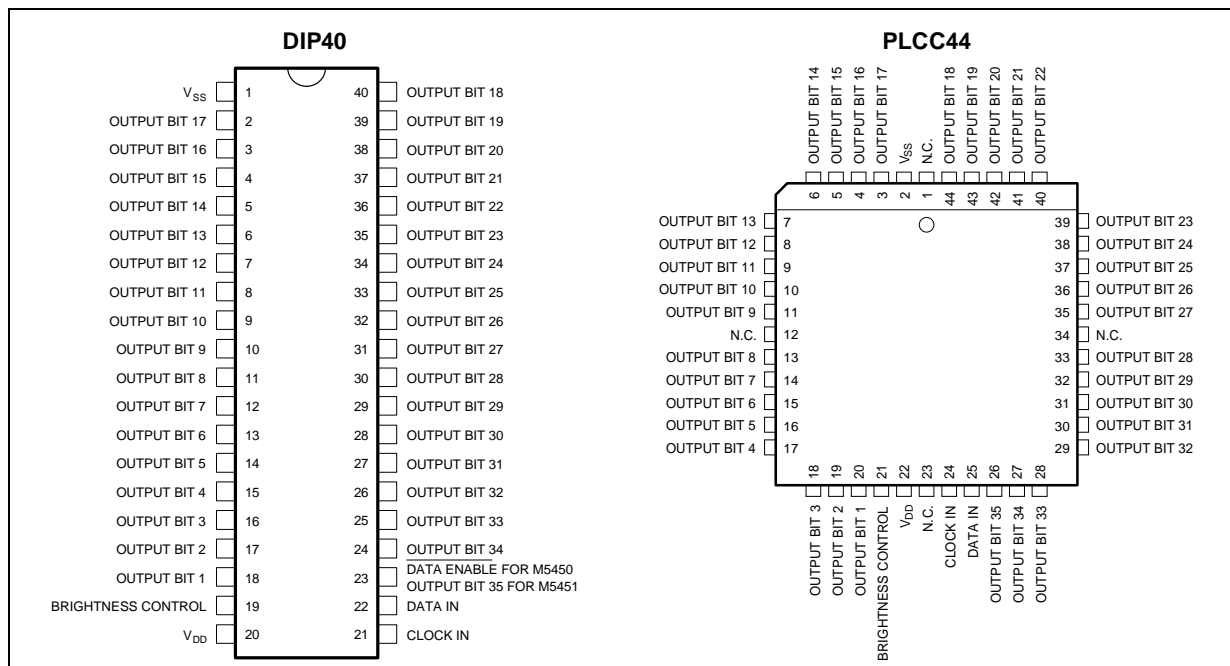
### DESCRIPTION

The M5450 and M5451 are monolithic MOS integrated circuits produced with an N-channel silicon gate technology. They are available in 40-pin dual in-line plastic packages.

A single pin controls the LED display brightness by setting a reference current through a variable resistor connected to  $V_{DD}$  or to a separate supply of 13.2V maximum.

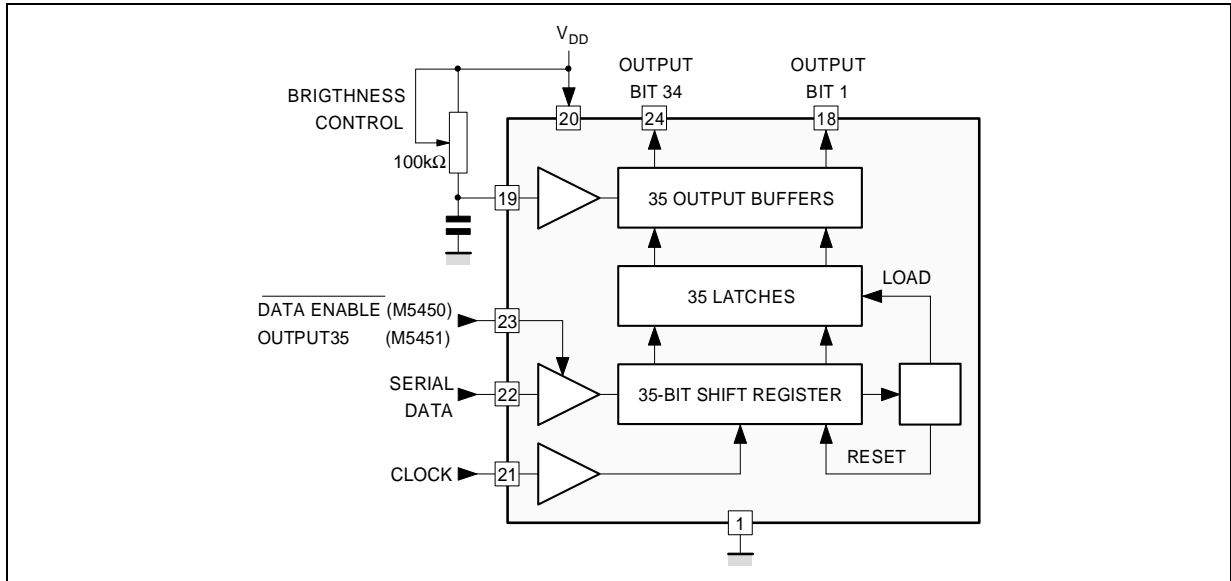


### PIN CONNECTION



5450-01.EPS - 5450-02.EPS

BLOCK DIAGRAM (Figure 1)



5450-03.EPS

ABSOLUTE MAXIMUM RATINGS

Symbol	Parameter	Value	Unit
V <sub>DD</sub>	Supply Voltage	- 0.3 to 15	V
V <sub>I</sub>	Input Voltage	- 0.3 to 15	V
V <sub>O(off)</sub>	Off State Output Voltage	15	V
I <sub>O</sub>	Output Sink Current	40	mA
P <sub>tot</sub>	Total Package Power Dissipation at 25°C at 85°C	1 560	W mW
T <sub>j</sub>	Junction Temperature	150	°C
T <sub>op</sub>	Operating Temperature Range	- 25 to 85	°C
T <sub>stg</sub>	Storage Temperature Range	- 65 to 150	°C

5450-01.TBL

Stresses above those listed under "Absolute Maximum Ratings" may causes permanent damage to the device. This is a stress rating only and functional operation of the device at these or any other conditions above those indicated in the operational sections of this specification is not implied. Exposure to absolute maximum rating conditions for extended periods may affect device reliability.

FUNCTIONAL DESCRIPTION

Both the M5450 and the M5451 are specially designed to operate 4 or 5-digit alphanumeric displays with minimal interface with the display and the data source. Serial data transfer from the data source to the display driver is accomplished with 2 signals, serial data and clock. Using a format of a leading "1" followed by the 35 data bits allows data transfer without an additional load signal. The 35 data bits are latched after the 36th bit is complete, thus providing non-multiplexed, direct drive to the display. Outputs change only if the serial data bits differ from the previous time. Display brightness is determined by control of the output current LED displays.

A 1nF capacitor should be connected to brightness control, pin 19, to prevent possible oscillations. A block diagram is shown in figure 1. For the M5450 a DATA ENABLE is used instead of the 35th output. The DATA ENABLE input is a metal option for the M5450. The output current is typically 20 times greater than the current into pin 19, which is set by an external variable resistor. There is an internal limiting resistor of 400Ω nominal value. Figure 2 shows the input data format. A start bit of logical "1" precedes the 35 bits of data. At the 36th clock a LOAD signal is generated synchronously with the high state of the clock, which loads the 35 bits of the shift registers into the latches.

At the low state of the clock a RESET signal is generated which clears all the shift registers for the next set of data. The shift registers are static master-slave configurations. There is no clear for the master portion of the first shift register, thus allowing continuous operation.

There must be a complete set of 36 clocks or the shift registers will not clear.

When power is first applied to the chip an internal power ON reset signal is generated which resets all registers and all latches. The START bit and the first clock return the chip to its normal operation.

Bit 1 is the first bit following the start bit and it will appear on Pin 18. A logical "1" at the input will turn on the appropriate LED.

Figure 3 shows the timing relationship between Data, Clock and DATA ENABLE.

A max clock frequency of 0.5MHz is assumed.

For applications where a lesser number of outputs are used, it is possible to either increase the current per output or operate the part at higher than 1V  $V_{OUT}$ .

The following equation can be used for calculations.

$$T_j = [(V_{OUT}) (I_{LED}) (\text{No. of segments}) + (V_{DD} \cdot 7\text{mA})] (124^\circ\text{C/W}) + T_{amb}$$

where :

$T_j$  = junction temperature (150°C max)

$V_{OUT}$  = the voltage at the LED driver outputs

$I_{LED}$  = the LED current

124°C/W = thermal coefficient of the package

$T_{amb}$  = ambient temperature

The above equation was used to plot Figures 4, 5 and 6.

## STATIC ELECTRICAL CHARACTERISTICS

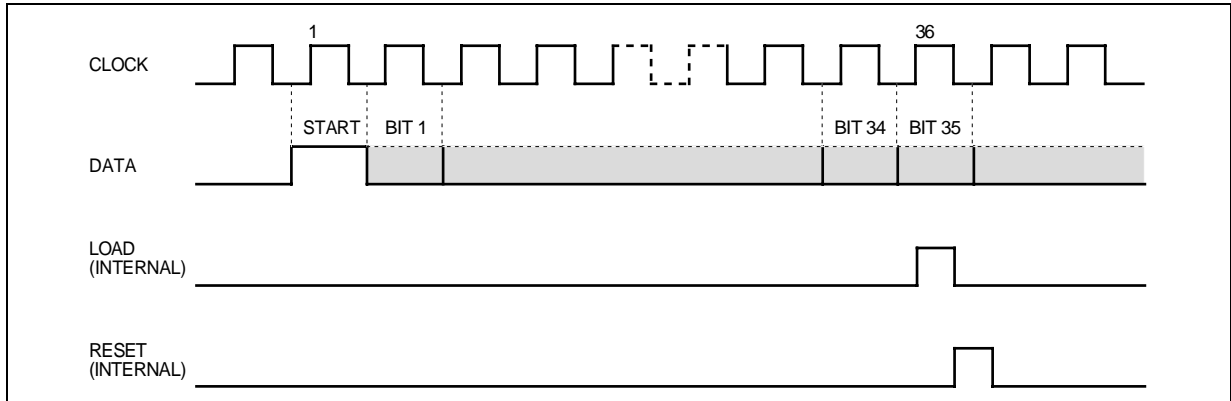
( $T_{amb}$  within operating range,  $V_{DD} = 4.75\text{V}$  to  $13.2\text{V}$ ,  $V_{SS} = 0\text{V}$ , unless otherwise specified)

Symbol	Parameter	Test Conditions	Min.	Typ.	Max.	Unit
$V_{DD}$	Supply Voltage		4.75		13.2	V
$I_{DD}$	Supply Current	$V_{DD} = 13.2\text{V}$			7	mA
$V_I$	Input Voltage	Logical "0" Level Logical "1" Level	$\pm 10\mu\text{A}$ Input Bias $4.75 \leq V_{DD} \leq 5.25$ $V_{DD} > 5.25$	-0.3 2.2 $V_{DD} - 2$	0.8 $V_{DD}$ $V_{DD}$	V V V
$I_B$	Brightness Input Current (note 2)		0		0.75	mA
$V_B$	Brightness Input Voltage (pin 19)	Input Current = $750\mu\text{A}$ , $T_{amb} = 25^\circ\text{C}$	3		4.3	V
$V_{O(off)}$	Off State Out. Voltage				13.2	V
$I_O$	Out. Sink Current (note 3) Segment OFF Segment ON	$V_O = 3\text{V}$ $V_O = 1\text{V}$ (note 4) Brightness In. = $0\mu\text{A}$ Brightness In. = $100\mu\text{A}$ Brightness In. = $750\mu\text{A}$	0 2 12	2.7 15	10 10 4 25	$\mu\text{A}$ $\mu\text{A}$ mA mA
$f_{clock}$	Input Clock Frequency		0		0.5	MHz
$I_O$	Output Matching (note 1)				$\pm 20$	%

- Notes :
- Output matching is calculated as the percent variation from  $I_{MAX} + I_{MIN}/2$ .
  - With a fixed resistor on the brightness input some variation in brightness will occur from one device to another.
  - Absolute maximum for each output should be limited to 40mA.
  - The  $V_O$  voltage should be regulated by the user. See figures 5 and 6 for allowable  $V_O$  versus  $I_O$  operation.

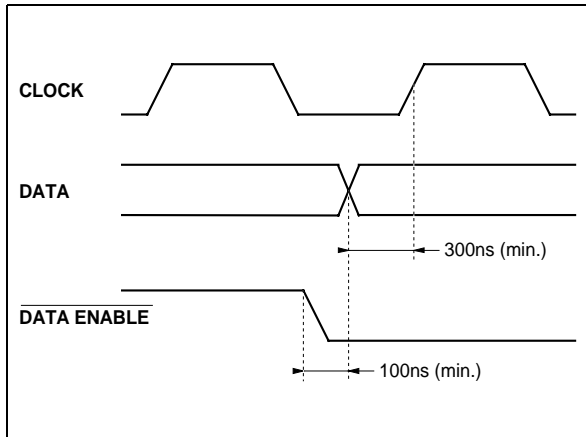
5450-02.TBL

Figure 2 : Input Data Format



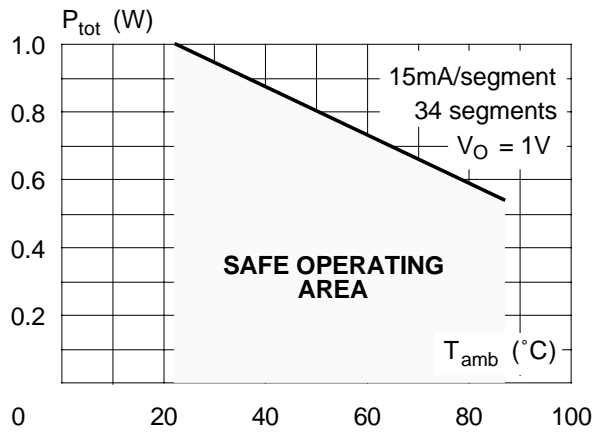
5450-04.EPS

Figure 3



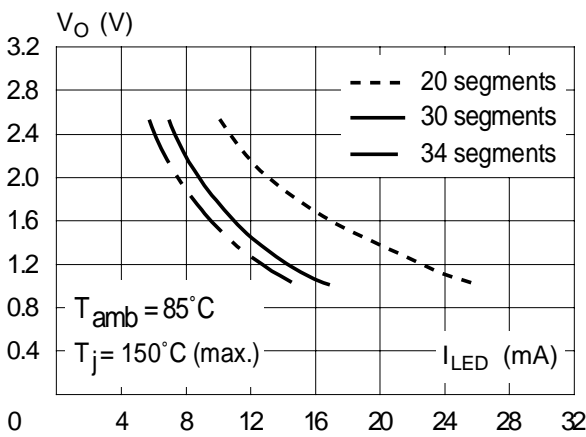
5450-05.EPS

Figure 4



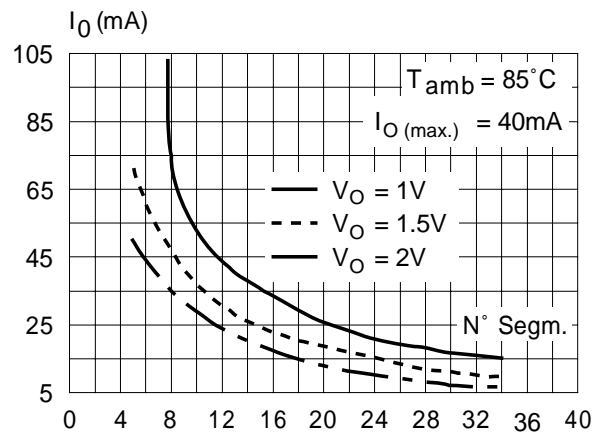
5450-06.EPS

Figure 5



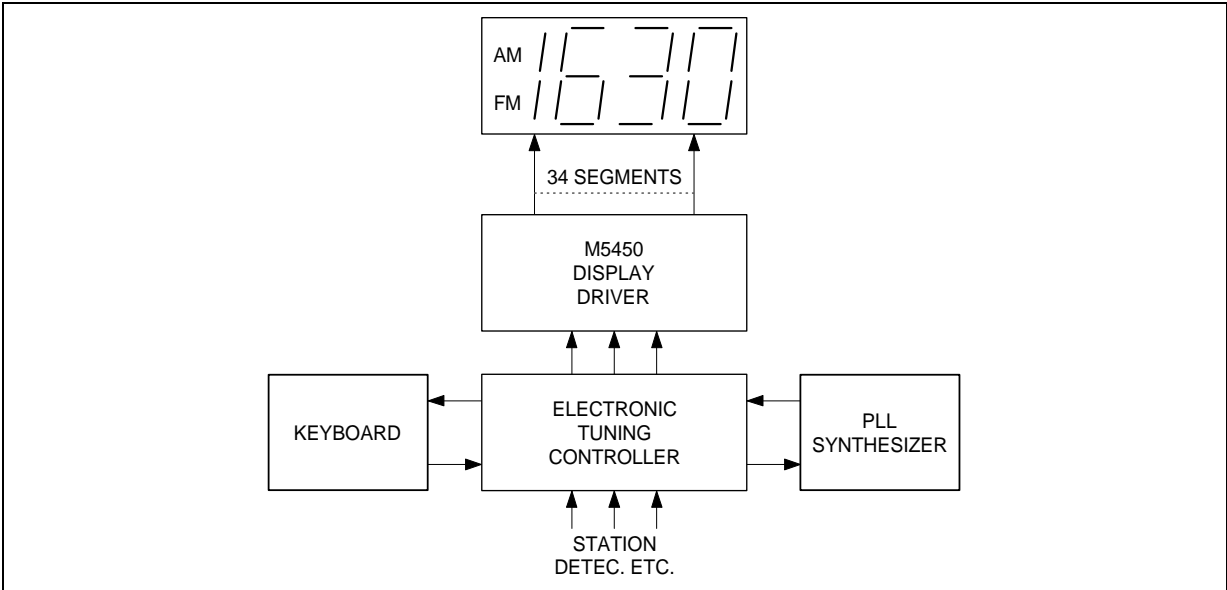
5450-07.EPS

Figure 6



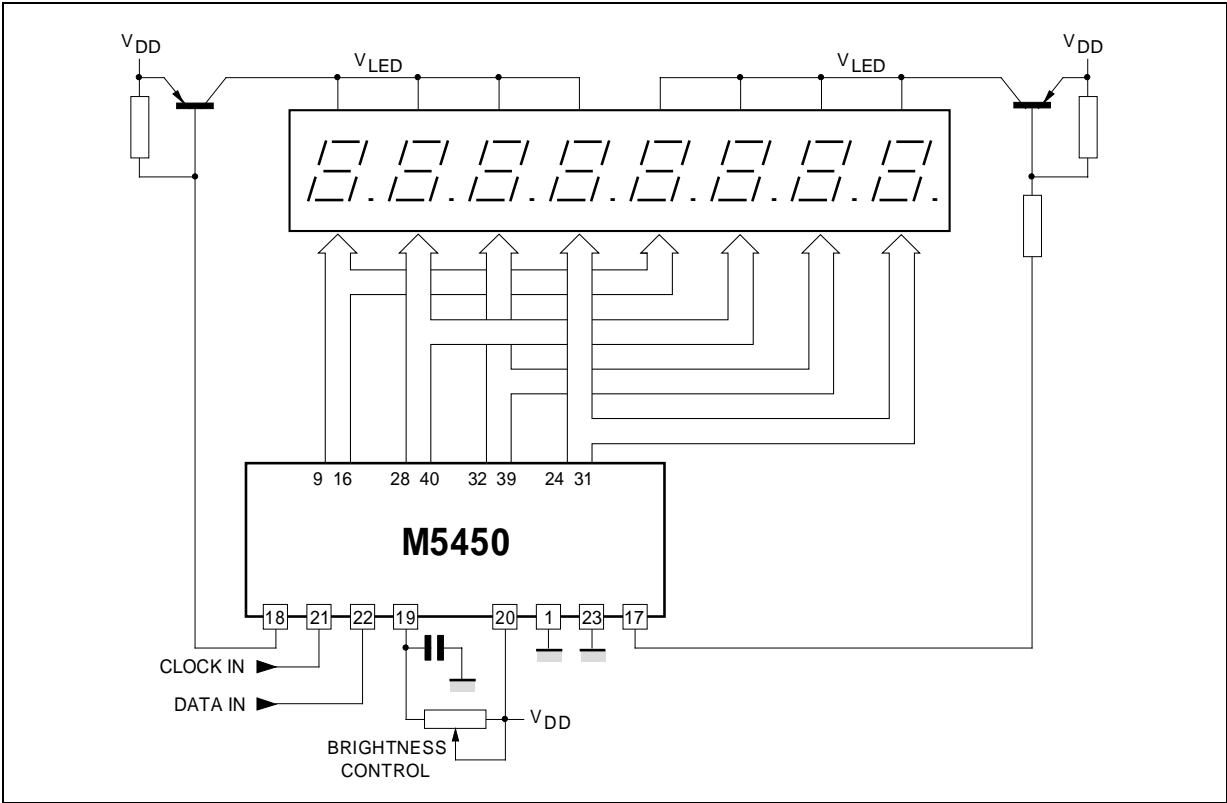
5450-08.EPS

**TYPICAL APPLICATIONS**  
**BASIC ELECTRONICALLY TUNED RADIO OR TV SYSTEM**



5450-09.EPS

**DUPLEXING 8 DIGITS WITH ONE M5450**

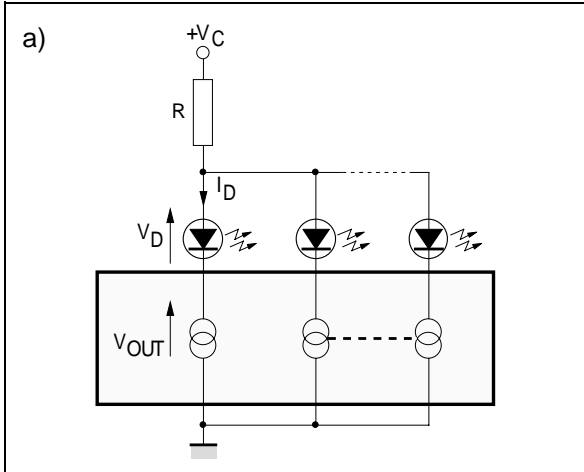


5450-10.EPS

**POWER DISSIPATION OF THE IC**

The power dissipation of the IC can be limited using different configurations.

a) In the application R must be chosen taking into account the worst operating conditions.



5450-11.EPS

R is determined by the maximum number of segments activated

$$R = \frac{V_C - V_{D\text{ MAX}} - V_{O\text{ MIN}}}{N_{\text{MAX}} \cdot I_D}$$

The worst case condition for the device is when roughly half of the maximum number of segments are activated.

It must be checked that the total power dissipation does not exceed the absolute maximum ratings of the device.

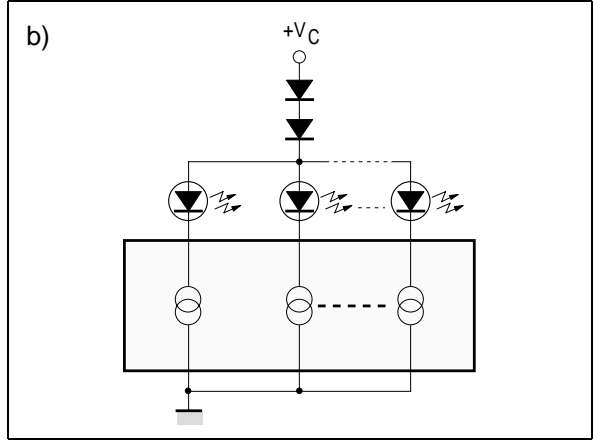
In critical cases more resistors can be used in conjunction with groups of segments.

In this case the current variation in the single resistor is reduced and  $P_{\text{tot}}$  limited.

b) In this configuration the drop on the serial con-

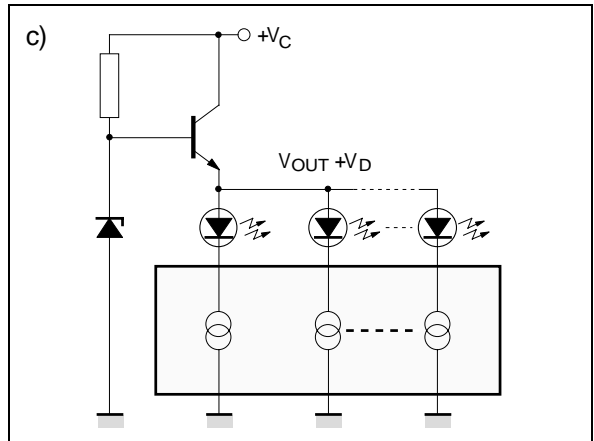
nected diodes is quite stable if the diodes are properly chosen.

The total power dissipation of the IC depends, in a first approximation, only on the number of segments activated.



5450-12.EPS

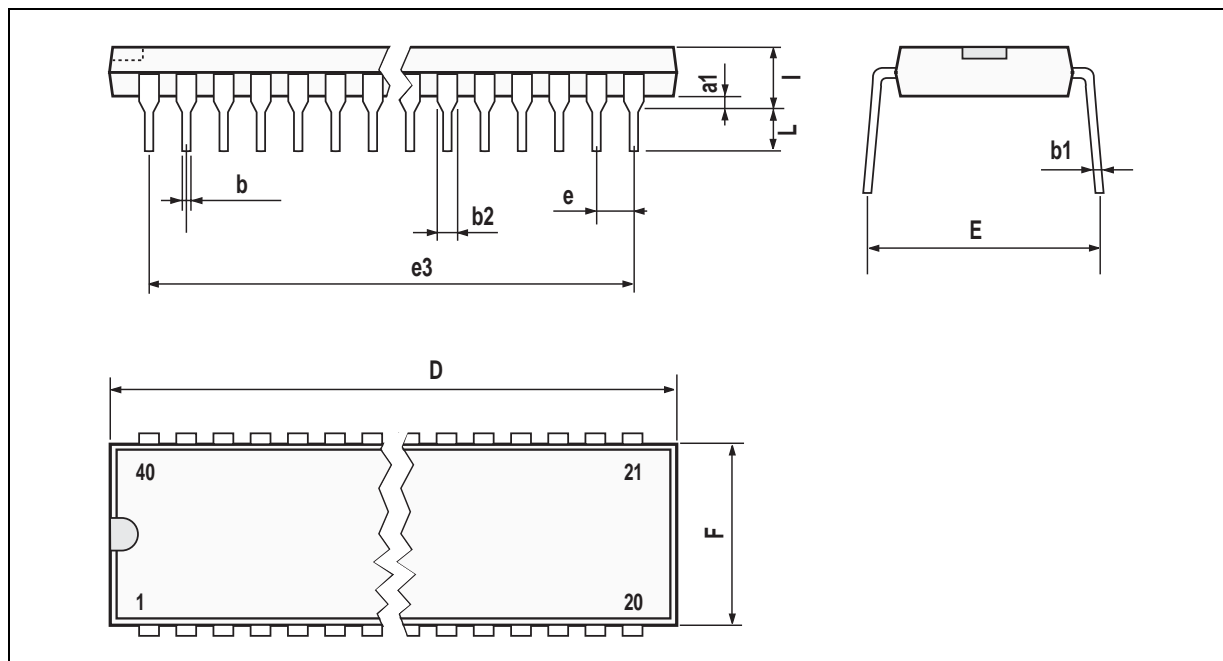
c) In this configuration  $V_{\text{OUT}} + V_D$  is constant. The total power dissipation of the IC depends only on the number of segments activated.



5450-13.EPS

**PACKAGE MECHANICAL DATA**

40 PINS - PLASTIC DIP



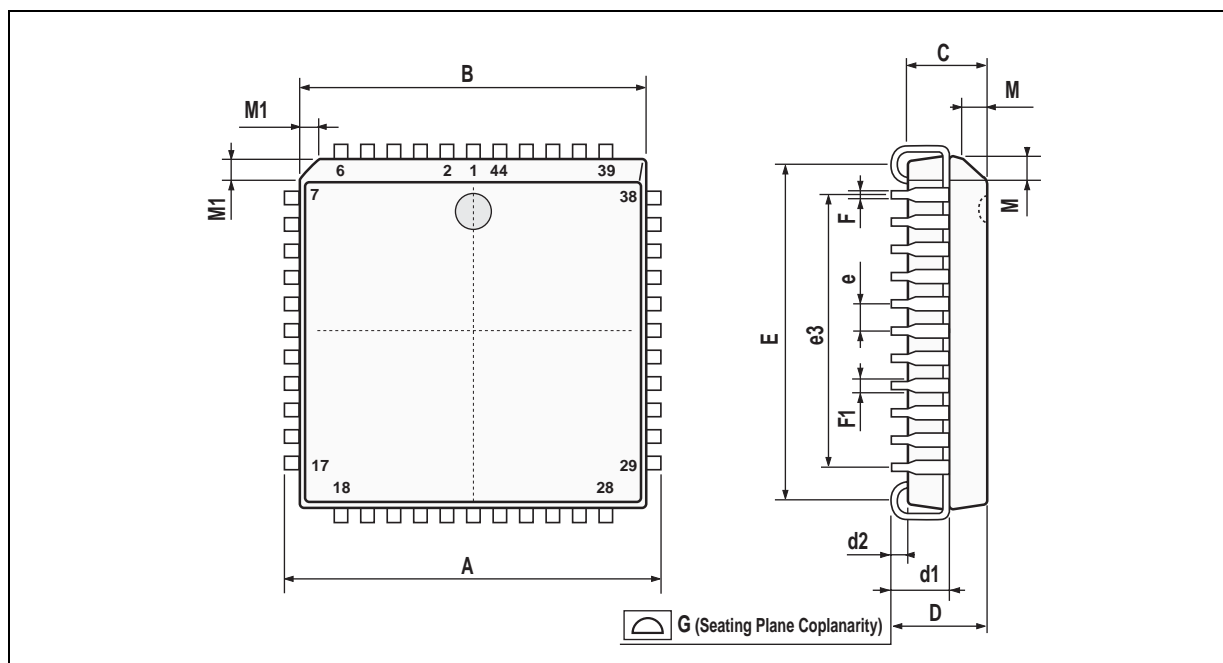
PM-DIP40.EPS

Dimensions	Millimeters			Inches		
	Min.	Typ.	Max.	Min.	Typ.	Max.
a1		0.63			0.025	
b		0.45			0.018	
b1	0.23		0.31	0.009		0.012
b2		1.27			0.050	
D			52.58			2.070
E	15.2		16.68	0.598		0.657
e		2.54			0.100	
e3		48.26			1.900	
F			14.1			0.555
i		4.445			0.175	
L		3.3			0.130	

DIP40.TBL

# M5450 - M5451

## PACKAGE MECHANICAL DATA 44 PINS - PLASTIC CHIP CARRIER



Dimensions	Millimeters			Inches		
	Min.	Typ.	Max.	Min.	Typ.	Max.
A	17.4		17.65	0.685		0.695
B	16.51		16.65	0.650		0.656
C	3.65		3.7	0.144		0.146
D	4.2		4.57	0.165		0.180
d1	2.59		2.74	0.102		0.108
d2		0.68			0.027	
E	14.99		16	0.590		0.630
e		1.27			0.050	
e3		12.7			0.500	
F		0.46			0.018	
F1		0.71			0.028	
G			0.101			0.004
M		1.16			0.046	
M1		1.14			0.045	

Information furnished is believed to be accurate and reliable. However, SGS-THOMSON Microelectronics assumes no responsibility for the consequences of use of such information nor for any infringement of patents or other rights of third parties which may result from its use. No licence is granted by implication or otherwise under any patent or patent rights of SGS-THOMSON Microelectronics. Specifications mentioned in this publication are subject to change without notice. This publication supersedes and replaces all information previously supplied. SGS-THOMSON Microelectronics products are not authorized for use as critical components in life support devices or systems without express written approval of SGS-THOMSON Microelectronics.

© 1994 SGS-THOMSON Microelectronics - All Rights Reserved

Purchase of I<sup>2</sup>C Components of SGS-THOMSON Microelectronics, conveys a license under the Philips I<sup>2</sup>C Patent. Rights to use these components in a I<sup>2</sup>C system, is granted provided that the system conforms to the I<sup>2</sup>C Standard Specifications as defined by Philips.

SGS-THOMSON Microelectronics GROUP OF COMPANIES

Australia - Brazil - China - France - Germany - Hong Kong - Italy - Japan - Korea - Malaysia - Malta - Morocco  
The Netherlands - Singapore - Spain - Sweden - Switzerland - Taiwan - Thailand - United Kingdom - U.S.A.