



3.3V-5V 256 Kbit (32Kb x8) TIMEKEEPER[®] SRAM

- INTEGRATED ULTRA-LOW POWER SRAM, REAL TIME CLOCK, POWER-FAIL CONTROL CIRCUIT and BATTERY
- FREQUENCY TEST OUTPUT for REAL TIME CLOCK
- YEAR 2000 COMPLIANT
- AUTOMATIC POWER-FAIL CHIP DESELECT and WRITE PROTECTION
- WATCHDOG TIMER
- WRITE PROTECT VOLTAGE (V_{PDF} = Power-Fail Deselect Voltage):
 - M48T37Y: 4.2V ≤ V_{PDF} ≤ 4.5V
 - M48T37V: 2.7V ≤ V_{PDF} ≤ 3.0V
- PACKAGING INCLUDES a 44-LEAD SOIC and SNAPHAT[®] TOP (to be Ordered Separately)
- SOIC PACKAGE PROVIDES DIRECT CONNECTION for a SNAPHAT TOP which CONTAINS the BATTERY and CRYSTAL
- MICROPROCESSOR POWER-ON RESET (Valid even during battery back-up mode)
- PROGRAMMABLE ALARM OUTPUT ACTIVE in the BATTERY BACKED-UP

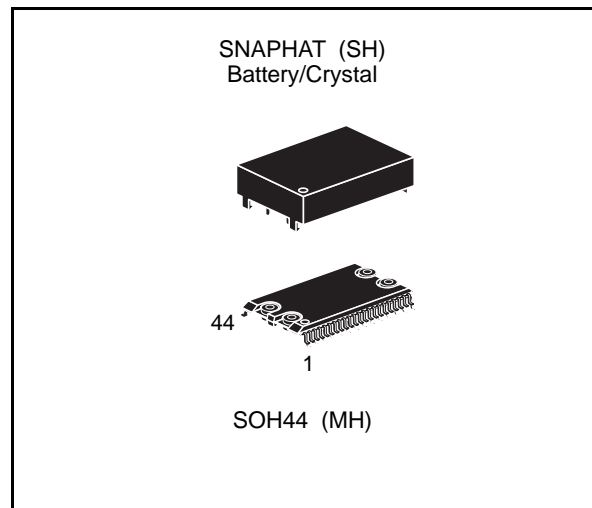
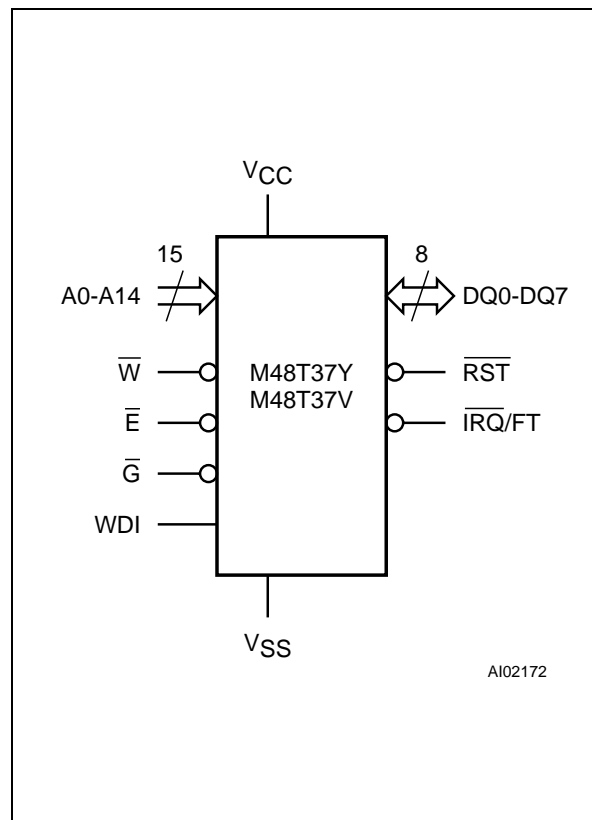


Figure 1. Logic Diagram



DESCRIPTION

The M48T37Y/37V TIMEKEEPER[®] RAM is a 32Kb x8 non-volatile static RAM and real time clock. The monolithic chip is available in a special package which provides a highly integrated battery backed-up memory and real time clock solution.

Table 1. Signal Names

A0-A14	Address Input
DQ0-DQ7	Data Input / Output
$\bar{IRQ/FT}$	Interrupt / Frequency Test Output (Open Drain)
\bar{RST}	Power Fail Reset Output (Open Drain)
WDI	Watchdog Input
\bar{E}	Chip Enable
\bar{G}	Output Enable
\bar{W}	Write Enable
V _{CC}	Supply Voltage
V _{SS}	Ground

M48T37Y, M48T37V

Table 2. Absolute Maximum Ratings ⁽¹⁾

Symbol	Parameter		Value	Unit
T _A	Ambient Operating Temperature	1	0 to 70	°C
		6	-40 to 85	
T _{STG}	Storage Temperature (V _{CC} Off, Oscillator Off)	SNAPHAT	-40 to 85	°C
		SOIC	-55 to 125	°C
T _{SLD} ⁽²⁾	Lead Solder Temperature for 10 seconds		260	°C
V _{IO}	Input or Output Voltages	M48T37Y	-0.3 to 7	V
		M48T37V	-0.3 to 4.6	V
V _{CC}	Supply Voltage	M48T37Y	-0.3 to 7	V
		M48T37V	-0.3 to 4.6	V
I _O	Output Current		10	mA
P _D	Power Dissipation		1	W

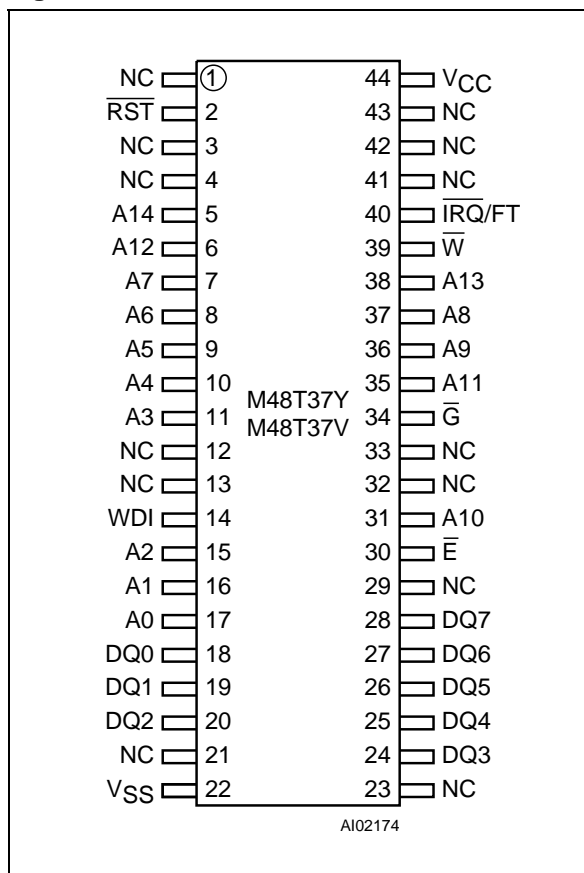
Notes: 1. Stresses greater than those listed under "Absolute Maximum Ratings" may cause permanent damage to the device. This is a stress rating only and functional operation of the device at these or any other conditions above those indicated in the operational section of this specification is not implied. Exposure to the absolute maximum rating conditions for extended periods of time may affect reliability.

2. Soldering temperature not to exceed 260°C for 10 seconds (total thermal budget net to exceed 150°C for longer than 30 seconds).

CAUTION: Negative undershoots below -0.3 volts are not allowed on any pin while in the Battery Back-up mode.

CAUTION: Do NOT wave solder SOIC to avoid damaging SNAPHAT sockets.

Figure 2. SOIC Pin Connections



Warning: NC = Not Connected.

DESCRIPTION (Cont'd)

The 44 lead 330mil SOIC package provides sockets with gold-plated contacts at both ends for direct connection to a separate SNAPHAT housing containing the battery and crystal. The unique design allows the SNAPHAT battery package to be mounted on top of the SOIC package after the completion of the surface mount process.

Insertion of the SNAPHAT housing after reflow prevents potential battery and crystal damage due to the high temperatures required for device surface-mounting. The SNAPHAT housing is keyed to prevent reverse insertion.

The SOIC and battery packages are shipped separately in plastic anti-static tubes or in Tape & Reel form. For the 44 lead SOIC, the battery/crystal package (i.e. SNAPHAT) part number is "M4T28-BR12SH1".

As Figure 3 shows, the static memory array and the quartz controlled clock oscillator of the M48T37Y/37V are integrated on one silicon chip. The memory locations, to provide user accessible BYTEWIDE clock information are in the bytes with addresses 7FF1 and 7FF9h-7FFFh (located in Table 11). The clock locations contain the century, year, month, date, day, hour, minute, and second in 24 hour BCD format. Corrections for 28, 29 (leap year-compliant until the year 2100), 30, and 31 day months are made automatically.

Figure 3. Block Diagram

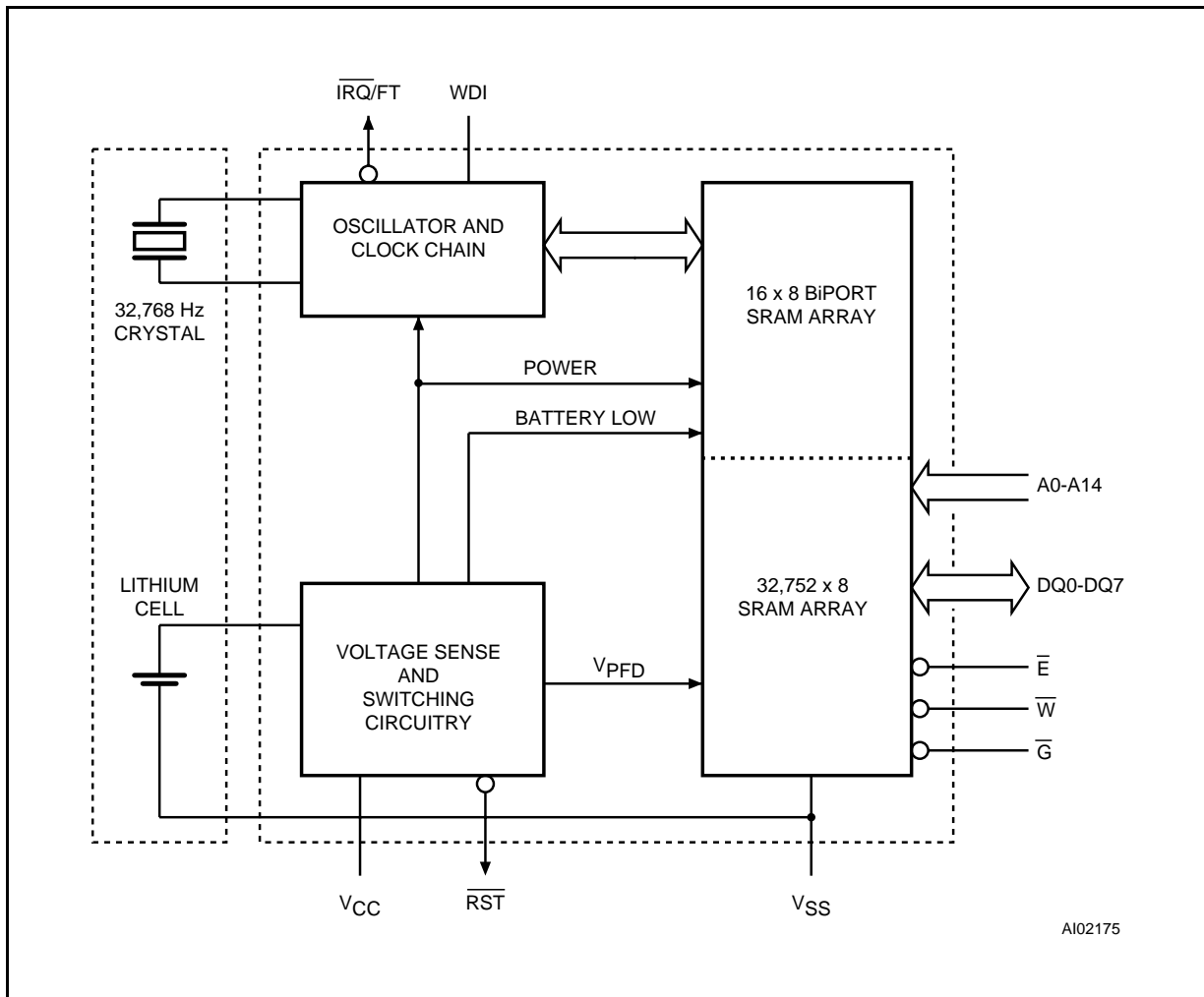


Table 3. Operating Modes ⁽¹⁾

Mode	V _{CC}	\bar{E}	\bar{G}	\bar{W}	DQ0-DQ7	Power
Deselect	4.5V to 5.5V (M48T37Y) or 3.0V to 3.6V (M48T37V)	V _{IH}	X	X	High Z	Standby
Write		V _{IL}	X	V _{IL}	D _{IN}	Active
Read		V _{IL}	V _{IL}	V _{IH}	D _{OUT}	Active
Read		V _{IL}	V _{IH}	V _{IH}	High Z	Active
Deselect	V _{SO} to V _{PFD} (min) ⁽²⁾	X	X	X	High Z	CMOS Standby
Deselect	≤ V _{SO}	X	X	X	High Z	Battery Back-up Mode

Notes: 1. X = V_{IH} or V_{IL}; V_{SO} = Battery Back-up Switchover Voltage.
2. See Table 7 for details.

Table 4. AC Measurement Conditions

Input Rise and Fall Times	≤ 5ns
Input Pulse Voltages	0 to 3V
Input and Output Timing Ref. Voltages	1.5V

Note that Output Hi-Z is defined as the point where data is no longer driven.

Figure 4. AC Testing Load Circuit

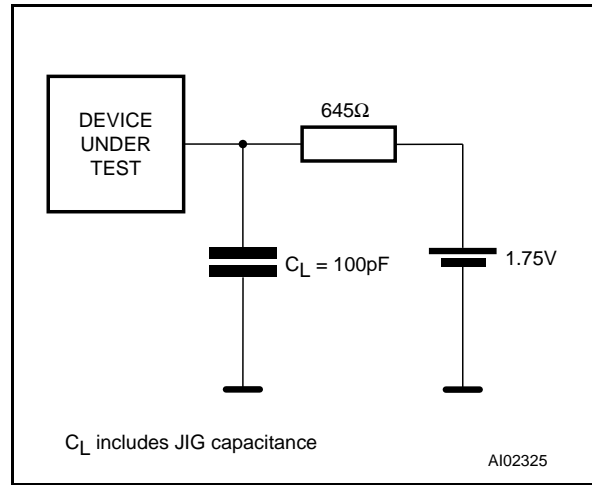


Table 5. Capacitance ^(1, 2)
($T_A = 25\text{ }^\circ\text{C}$, $f = 1\text{ MHz}$)

Symbol	Parameter	Test Condition	Min	Max	Unit
C_{IN}	Input Capacitance	$V_{IN} = 0V$		10	pF
C_{IO} ⁽³⁾	Input / Output Capacitance	$V_{OUT} = 0V$		10	pF

Notes: 1. Effective capacitance measured with power supply at 5V.
2. Sampled only, not 100% tested.
3. Outputs deselected

Table 6. DC Characteristics
($T_A = 0\text{ to }70\text{ }^\circ\text{C}$)

Symb	Parameter	Test Condition	M48T37Y		M48T37V		Unit
			$V_{CC} = 4.5V\text{ to }5.5V$		$V_{CC} = 3.0V\text{ to }3.6V$		
			Min	Max	Min	Max	
I_{LI} ⁽¹⁾	Input Leakage Current	$0V \leq V_{IN} \leq V_{CC}$		±1		±1	μA
I_{LO} ⁽¹⁾	Output Leakage Current	$0V \leq V_{OUT} \leq V_{CC}$		±5		±5	μA
I_{CC}	Supply Current	Outputs open		50		33	mA
I_{CC1}	Supply Current (Standby) TTL	$\bar{E} = V_{IH}$		3		2	mA
I_{CC2}	Supply Current (Standby) CMOS	$\bar{E} = V_{CC} - 0.2V$		3		2	mA
V_{IL} ⁽²⁾	Input Low Voltage		-0.3	0.8	-0.3	0.8	V
V_{IH}	Input High Voltage		2.2	$V_{CC} + 0.3$	2.2	$V_{CC} + 0.3$	V
V_{OL}	Output Low Voltage (standard)	$I_{OL} = 2.1mA$		0.4		0.4	V
	Output Low Voltage (open drain)	$I_{OL} = 10mA$		0.4		0.4	V
V_{OH} ⁽²⁾	Output High Voltage	$I_{OH} = -1mA$	2.4		2.4		V

Notes: 1. Outputs Deselected.
2. Negative spikes of -1V allowed for up to 10ns once per Cycle.

Table 7. Power Down/Up Trip Points DC Characteristics ⁽¹⁾
(T_A = 0 to 70°C)

Symbol	Parameter	Min	Typ	Max	Unit
V _{PFD}	Power-fail Deselect Voltage (M48T37Y, 5V)	4.2	4.4	4.5	V
	Power-fail Deselect Voltage (M48T37V, 3.3V)	2.7	2.9	3.0	V
V _{SO}	Battery Back-up Switchover Voltage (5V)		V _{BAT}		V
	Battery Back-up Switchover Voltage (3.3V)		V _{PFD} -100mV		V
t _{DR}	Expected Data Retention Time (25°C)	Grade 1	7		YEARS
		Grade 6	10 ⁽²⁾		

Notes: 1. All voltages referenced to V_{SS}.

2. Using larger M4T32-BR12SH6 SNAPHAT top (recommended for industrial temperature - grade 6 device).

Table 8. Power Down/Up Mode AC Characteristics
(T_A = 0 to 70°C)

Symbol	Parameter	Min	Max	Unit
t _F ⁽¹⁾	V _{PFD} (max) to V _{PFD} (min) V _{CC} Fall Time	300		μs
t _{FB} ⁽²⁾	V _{PFD} (min) to V _{SO} V _{CC} Fall Time	10		μs
t _R	V _{PFD} (min) to V _{PFD} (max) V _{CC} Rise Time	10		μs
t _{RB}	V _{SO} to V _{PFD} (min) V _{CC} Rise Time	1		μs
t _{REC} ⁽³⁾	V _{PFD} (max) to $\overline{\text{RST}}$ High	40	200	ms

Notes: 1. V_{PFD} (max) to V_{PFD} (min) fall time of less than t_F may result in deselection/write protection not occurring until 200 μs after V_{CC} passes V_{PFD} (min).

2. V_{PFD} (min) to V_{SO} fall time of less than t_{FB} may cause corruption of RAM data.

3. t_{REC} (min) = 20ms for industrial temperature grade 6 device.

Table 9. Read Mode AC Characteristics
(T_A = 0 to 70°C)

Symbol	Parameter	M48T37Y		M48T37V		Unit
		V _{CC} = 4.5V to 5.5V		V _{CC} = 3.0V to 3.6V		
		-70		-100		
		Min	Max	Min	Max	
t _{AVAV}	Read Cycle Time	70		100		ns
t _{AVQV} ⁽¹⁾	Address Valid to Output Valid		70		100	ns
t _{ELQV} ⁽¹⁾	Chip Enable Low to Output Valid		70		100	ns
t _{GLQV} ⁽¹⁾	Output Enable Low to Output Valid		35		50	ns
t _{ELQX} ⁽²⁾	Chip Enable Low to Output Transition	5		10		ns
t _{GLQX} ⁽²⁾	Output Enable Low to Output Transition	5		5		ns
t _{EHQZ} ⁽²⁾	Chip Enable High to Output Hi-Z		25		50	ns
t _{GHQZ} ⁽²⁾	Output Enable High to Output Hi-Z		25		40	ns
t _{AXQX} ⁽¹⁾	Address Transition to Output Transition	10		10		ns

Notes: 1. C_L = 100pF (see Figure 4).

2. C_L = 5pF (see Figure 4).

Figure 5. Power Down/Up Mode AC Waveforms

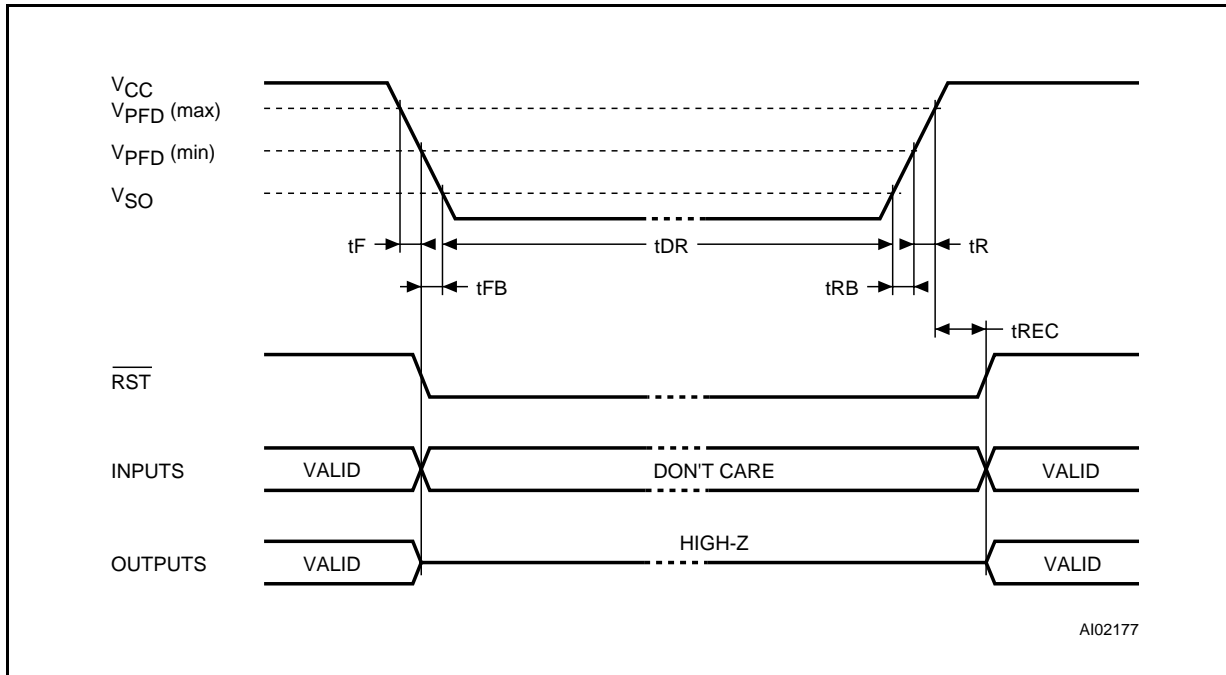
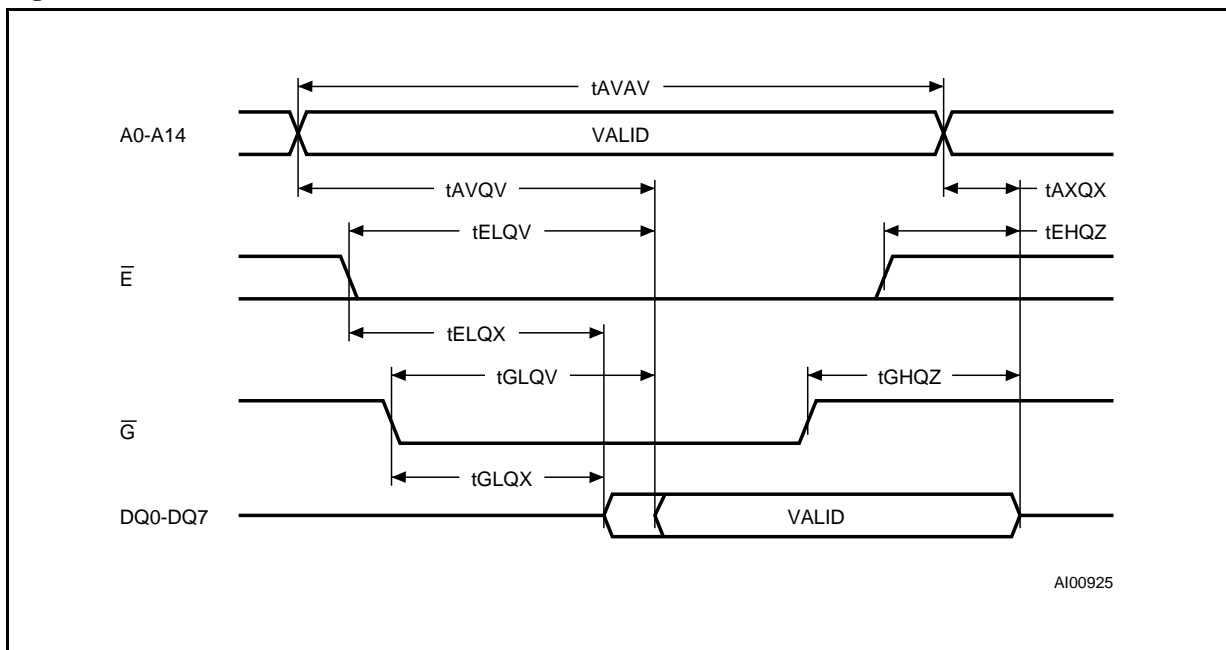


Figure 6. Read Mode AC Waveforms



Note: Write Enable (\bar{W}) = High.

Figure 7. Write Enable Controlled, Write AC Waveforms

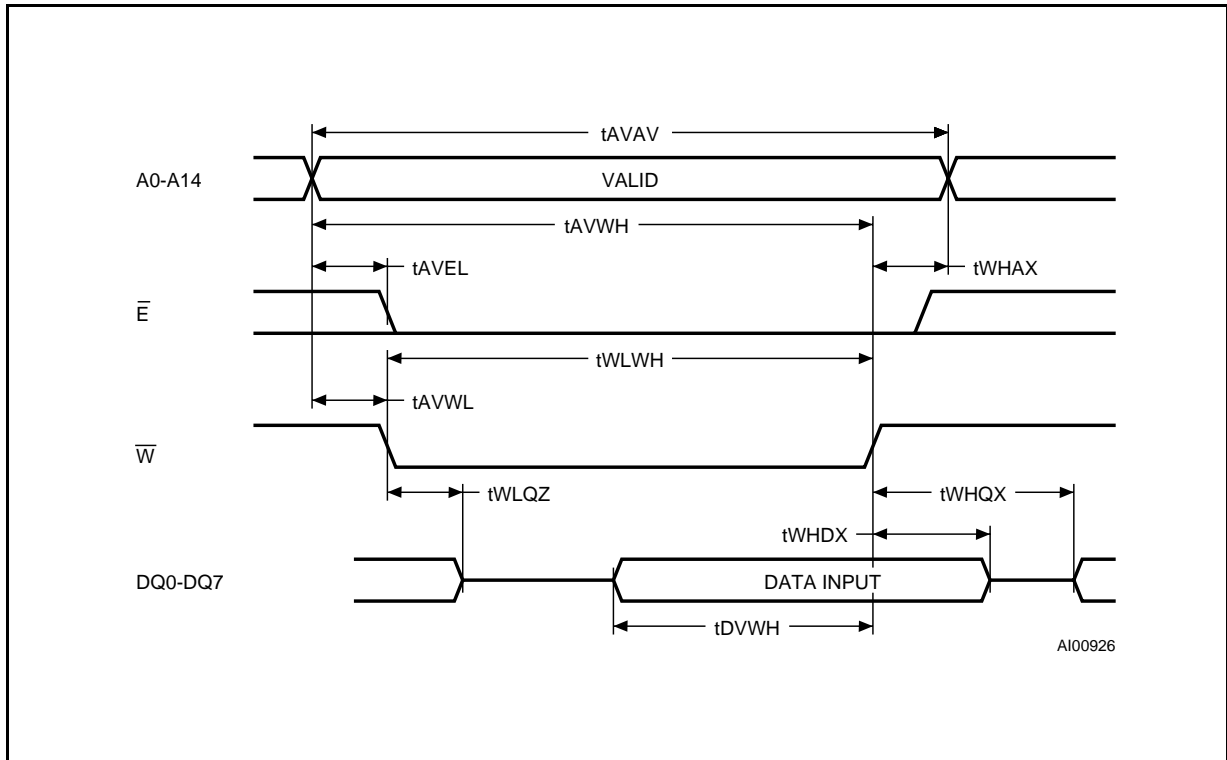


Figure 8. Chip Enable Controlled, Write AC Waveforms

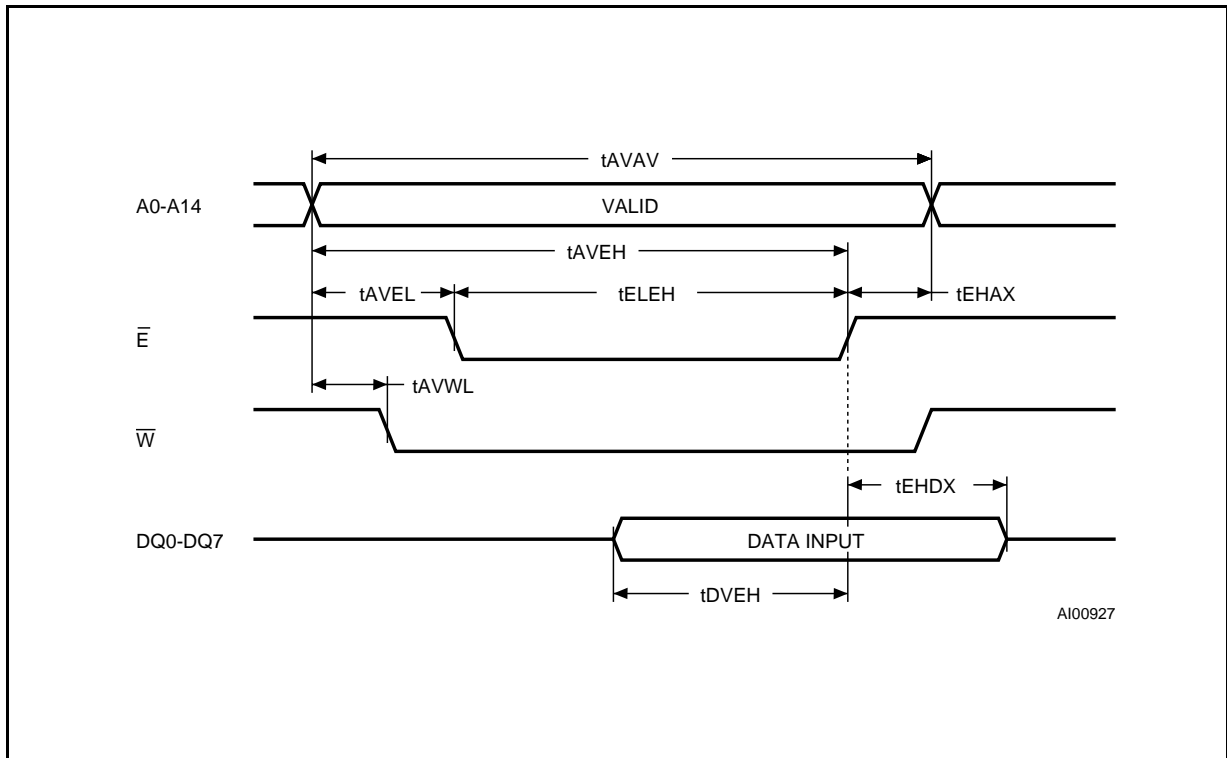


Table 10. Write Mode AC Characteristics
($T_A = 0$ to 70°C)

Symbol	Parameter	M48T37Y		M48T37V		Unit
		$V_{CC} = 4.5\text{V to }5.5\text{V}$		$V_{CC} = 3.0\text{V to }3.6\text{V}$		
		-70		-100		
		Min	Max	Min	Max	
t_{AVAV}	Write Cycle Time	70		100		ns
t_{AVWL}	Address Valid to Write Enable Low	0		0		ns
t_{AVEL}	Address Valid to Chip Enable Low	0		0		ns
t_{WLWH}	Write Enable Pulse Width	50		80		ns
t_{ELEH}	Chip Enable Low to Chip Enable High	55		80		ns
t_{WHAX}	Write Enable High to Address Transition	0		10		ns
t_{EHAX}	Chip Enable High to Address Transition	0		10		ns
t_{DVWH}	Input Valid to Write Enable High	30		50		ns
t_{DVEH}	Input Valid to Chip Enable High	30		50		ns
t_{WHDX}	Write Enable High to Input Transition	5		5		ns
t_{EHDX}	Chip Enable High to Input Transition	5		5		ns
$t_{WLQZ}^{(1, 2)}$	Write Enable Low to Output Hi-Z		25		50	ns
t_{AVWH}	Address Valid to Write Enable High	60		80		ns
t_{AVE1H}	Address Valid to Chip Enable High	60		80		ns
$t_{WHQX}^{(1, 2)}$	Write Enable High to Output Transition	5		10		ns

Notes: 1. $C_L = 5\text{pF}$ (see Figure 4).
2. If \overline{E} goes low simultaneously with \overline{W} going low, the outputs remain in the high impedance state.

DESCRIPTION (Cont'd)

Byte 7FF8h is the clock control register. This byte controls user access to the clock information and also stores the clock calibration setting.

Byte 7FF7h contains the watchdog timer setting. The watchdog timer redirects an out-of-control microprocessor and provides a reset or interrupt to it. Byte 7FF2h-7FF5h are reserved for clock alarm programming. These bytes can be used to set the alarm. This will generate an active low signal on the $\overline{IRQ/FT}$ pin when the alarm bytes match the date, hours, minutes and seconds of the clock. The eight clock bytes are not the actual clock counters themselves; they are memory locations consisting of BiPORT[®] read/write memory cells. The M48T37Y/37V includes a clock control circuit which updates the clock bytes with current information once per second. The information can be accessed by the user in the same manner as any other location in the static memory array.

The M48T37Y/37V also has its own Power-fail Detect circuit. The control circuitry constantly moni-

tors the single V_{CC} supply for an out of tolerance condition. When V_{CC} is out of tolerance, the circuit writes protects the SRAM, providing a high degree of data security in the midst of unpredictable system operation brought on by low V_{CC} . As V_{CC} falls below the Battery Back-up Switchover Voltage (V_{SO}), the control circuitry connects the battery which maintains data and clock operation until valid power returns.

READ MODE

The M48T37Y/37V is in the Read Mode whenever Write Enable (\overline{W}) is high and Chip Enable (\overline{E}) is low. The unique address specified by the 15 Address Inputs defines which one of the 32,752 bytes of data is to be accessed. Valid data will be available at the Data I/O pins within Address Access time (t_{AVQV}) after the last address input signal is stable, providing that the \overline{E} and Output Enable (\overline{G}) access times are also satisfied. If the \overline{E} and \overline{G} access times are not met, valid data will be available after the latter of the Chip Enable Access time (t_{ELQV}) or Output Enable Access time (t_{GLQV}).



Table 11. Register Map

Address	Data								Function/Range BCD Format	
	D7	D6	D5	D4	D3	D2	D1	D0		
7FFFh	10 Years				Year				Year	00-99
7FFEh	0	0	0	10 M	Month				Month	01-12
7FFDh	0	0	10 Date		Date				Date	01-31
7FFCh	0	FT	0	0	0	Day			Day	01-07
7FFBh	0	0	10 Hours		Hours				Hour	00-23
7FFAh	0	10 Minutes			Minutes				Minutes	00-59
7FF9h	ST	10 Seconds			Seconds				Seconds	00-59
7FF8h	W	R	S	Calibration					Control	
7FF7h	WDS	BMB4	BMB3	BMB2	BMB1	BMB0	RB1	RB0	Watchdog	
7FF6h	AFE	0	ABE	0	0	0	0	0	Interrupts	
7FF5h	RPT4	0	Al. 10 Date		Alarm Date				Alarm Date	01-31
7FF4h	RPT3	0	Al. 10 Hours		Alarm Hours				Alarm Hours	00-23
7FF3h	RPT2	Alarm 10 Minutes			Alarm Minutes				Alarm Minutes	00-59
7FF2h	RPT1	Alarm 10 Seconds			Alarm Seconds				Alarm Seconds	00-59
7FF1h	1000 Years				100 Years				Century	00-99
7FF0h	WDF	AF	Z	BL	Z	Z	Z	Z	Flags	

Keys: S = SIGN Bit
 FT = FREQUENCY TEST Bit
 R = READ Bit
 W = WRITE Bit
 ST = STOP Bit
 0 = Must be set to '0'
 Z = '0' and are Read only

WDS = Watchdog Steering Bit
 AF = Alarm Flag
 BL = Battery Low Flag
 WDS = Watchdog Steering Bit
 BMB0-BMB4 = Watchdog Multiplier Bits
 RB0-RB1 = Watchdog Resolution Bits
 AFE = Alarm Flag Enable
 ABE = Alarm in Battery Back-up Mode Enable
 RPT1-RPT4 = Alarm Repeat Mode Bits
 WDF = Watchdog Flag

READ MODE (Cont'd)

The state of the eight three-state Data I/O signals is controlled by \bar{E} and \bar{G} . If the outputs are activated before t_{AVQV} , the data lines will be driven to an indeterminate state until t_{AVQV} . If the Address Inputs are changed while \bar{E} and \bar{G} remain active, output data will remain valid for Output Data Hold time (t_{AXQX}) but will be indeterminate until the next Address Access.

WRITE MODE

The M48T37Y/37V is in the Write Mode whenever \bar{W} and \bar{E} are low. The start of a write is referenced from the latter occurring falling edge of \bar{W} or \bar{E} . A write is terminated by the earlier rising edge of \bar{W} or \bar{E} . The addresses must be held valid throughout the cycle. \bar{E} or \bar{W} must return high for a minimum

of t_{EHAX} from Chip Enable or t_{WHAX} from Write Enable prior to the initiation of another read or write cycle. Data-in must be valid t_{DVWH} prior to the end of write and remain valid for t_{WHDX} afterward. \bar{G} should be kept high during write cycles to avoid bus contention; although, if the output bus has been activated by a low on \bar{E} and \bar{G} a low on \bar{W} will disable the outputs t_{WLQZ} after \bar{W} falls.

DATA RETENTION MODE

With valid V_{CC} applied, the M48T37Y/37V operates as a conventional BYTEWIDE™ static RAM. Should the Supply Voltage decay, the RAM will automatically power-fail deselect, write protecting itself when V_{CC} falls within the V_{PFD} (max), V_{PFD} (min) window. All outputs become high impedance, and all inputs are treated as "don't care".

Note: A power failure during a write cycle may corrupt data at the currently addressed location, but does not jeopardize the rest of the RAM's content. At voltages below $V_{PFD(min)}$, the user can be assured the memory will be in a write protected state, provided the V_{CC} fall time is not less than t_F . The M48T37Y/37V may respond to transient noise spikes on V_{CC} that reach into the deselect window during the time the device is sampling V_{CC} . Therefore, decoupling of the power supply lines is recommended. When V_{CC} drops below V_{SO} , the control circuit switches power to the internal battery which preserves data and powers the clock. The internal button cell will maintain data in the M48T37Y/37V for an accumulated period of at least 7 years at room temperature when V_{CC} is less than V_{SO} . As system power returns and V_{CC} rises above V_{SO} , the battery is disconnected, and the power supply is switched to external V_{CC} . Normal RAM operation can resume t_{REC} after V_{CC} reaches $V_{PFD(max)}$.

For more information on Battery Storage Life refer to the Application Note AN1012.

POWER-ON RESET

The M48T37Y/37V continuously monitors V_{CC} . When V_{CC} falls to the power fail detect trip point, the \overline{RST} pulls low (open drain) and remains low on power-up for 40ms to 200ms after V_{CC} passes V_{PFD} . \overline{RST} is valid for all V_{CC} conditions. The \overline{RST} pin is an open drain output and an appropriate resistor should be chosen to control rise time.

PROGRAMMABLE INTERRUPTS

The M48T37Y/37V provides two programmable interrupts; an alarm and a watchdog. When an interrupt condition occurs, the M48T37Y/37V sets

the appropriate flag bit in the flag register 7FF0h. The interrupt enable bits in (AFE and ABE) in 7FF6h and the Watchdog Steering (WDS) bit in 7FF7h allow the interrupt to activate the $\overline{IRQ/FT}$ pin.

The interrupt flags and the $\overline{IRQ/FT}$ output are cleared by a read to the flags register. An interrupt condition reset will not occur unless the addresses are stable at the flag location for at least 15ns while the device is in the read mode as shown in Figure 11.

The $\overline{IRQ/FT}$ pin is an open drain output and requires a pull-up resistor (10k Ω recommended). The pin remains in the high impedance state unless an interrupt occurs or the frequency test mode is enabled.

CLOCK OPERATIONS

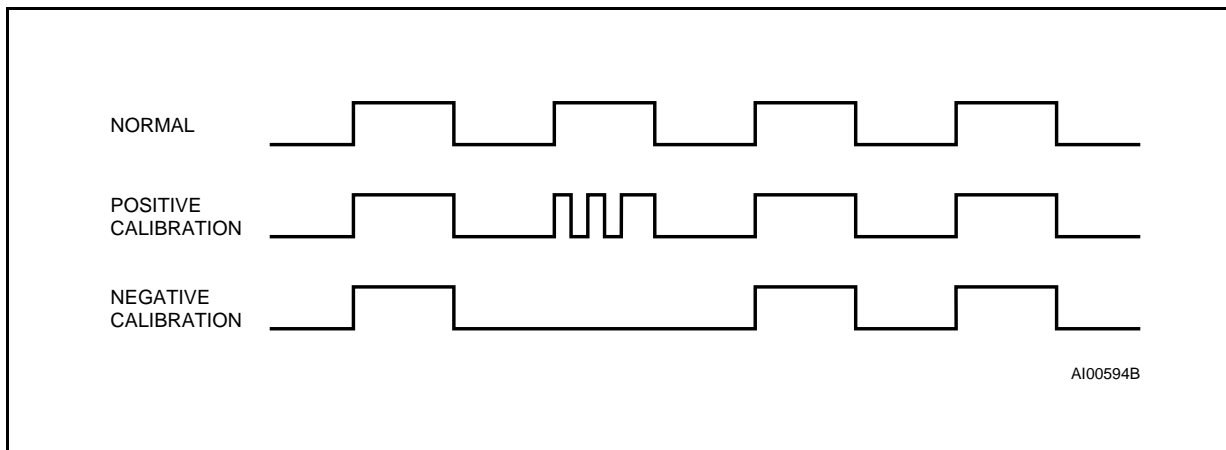
Reading the Clock

Updates to the TIMEKEEPER registers should be halted before clock data is read to prevent reading data in transition. Because the BiPORT TIMEKEEPER cells in the RAM array are only data registers, and not the actual clock counters, updating the registers can be halted without disturbing the clock itself.

Updating is halted when a '1' is written to the READ bit, D6 in the Control Register 7FF8h. As long as a '1' remains in that position, updating is halted. After a halt is issued, the registers reflect the count; that is, the day, date, and the time that were current at the moment the halt command was issued.

All of the TIMEKEEPER registers are updated simultaneously. A halt will not interrupt an update in progress. Updating will resume within a second after the bit is reset to a '0'.

Figure 9. Clock Calibration



Setting the Clock

Bit D7 of the Control Register 7FF8h is the WRITE bit. Setting the WRITE bit to a '1', like the READ bit, halts updates to the TIMEKEEPER registers. The user can then load them with the correct day, date, and time data in 24 hour BCD format (see Table 11). Resetting the WRITE bit to a '0' then transfers the values of all time registers 7FF9h-7FFFh to the actual TIMEKEEPER counters and allows normal operation to resume. After the WRITE bit is reset, the next clock update will occur in approximately one second.

Note: Upon power-up following a power failure, both the WRITE bit and the READ bit will be reset to '0'.

Stopping and Starting the Oscillator

The oscillator may be stopped at any time. If the device is going to spend a significant amount of time on the shelf, the oscillator can be turned off to minimize current drain on the battery. The STOP bit is the MSB of the seconds register. Setting it to a '1' stops the oscillator. The M48T37Y/37V is shipped from ST with the STOP bit set to a '1'. When reset to a '0', the M48T37Y/37V oscillator starts within one second.

Note: It is not necessary to set the WRITE bit when setting or resetting the FREQUENCY TEST bit (FT) or the STOP bit (ST).

Calibrating the Clock

The M48T37Y/37V is driven by a quartz controlled oscillator with a nominal frequency of 32,768 Hz. The devices are tested not to exceed ± 35 ppm (parts per million) oscillator frequency error at 25°C, which equates to about ± 1.53 minutes per month. With the calibration bits properly set, the accuracy of each M48T37Y/37V improves to better than $+4 / -2$ ppm at 25°C.

The oscillation rate of any crystal changes with temperature (see Figure 10). Most clock chips compensate for crystal frequency and temperature shift error with cumbersome trim capacitors. The M48T37Y/37V design, however, employs periodic counter correction. The calibration circuit adds or subtracts counts from the oscillator divider circuit at the divide by 256 stage, as shown in Figure 9. The number of times pulses are blanked (subtracted, negative calibration) or split (added, positive calibration) depends upon the value loaded into the five bit Calibration byte found in the Control Register. Adding counts speeds the clock up, subtracting counts slows the clock down.

The Calibration byte occupies the five lower order bits (D4-D0) in the Control Register 7FF8h. These bits can be set to represent any value between 0

and 31 in binary form. Bit D5 is a Sign bit; '1' indicates positive calibration, '0' indicates negative calibration. Calibration occurs within a 64 minute cycle. The first 62 minutes in the cycle may, once per minute, have one second either shortened by 128 or lengthened by 256 oscillator cycles. If a binary '1' is loaded into the register, only the first 2 minutes in the 64 minute cycle will be modified; if a binary 6 is loaded, the first 12 will be affected, and so on.

Therefore, each calibration step has the effect of adding 512 or subtracting 256 oscillator cycles for every 125, 829, 120 (64 minutes x 60 seconds/minute x 32,768 cycles/second) actual oscillator cycles, that is $+4.068$ or -2.034 ppm of adjustment per calibration step in the calibration register. Assuming that the oscillator is in fact running at exactly 32,768 Hz, each of the 31 increments in the Calibration byte would represent $+10.7$ or -5.35 seconds per month which corresponds to a total range of $+5.5$ or -2.75 minutes per month.

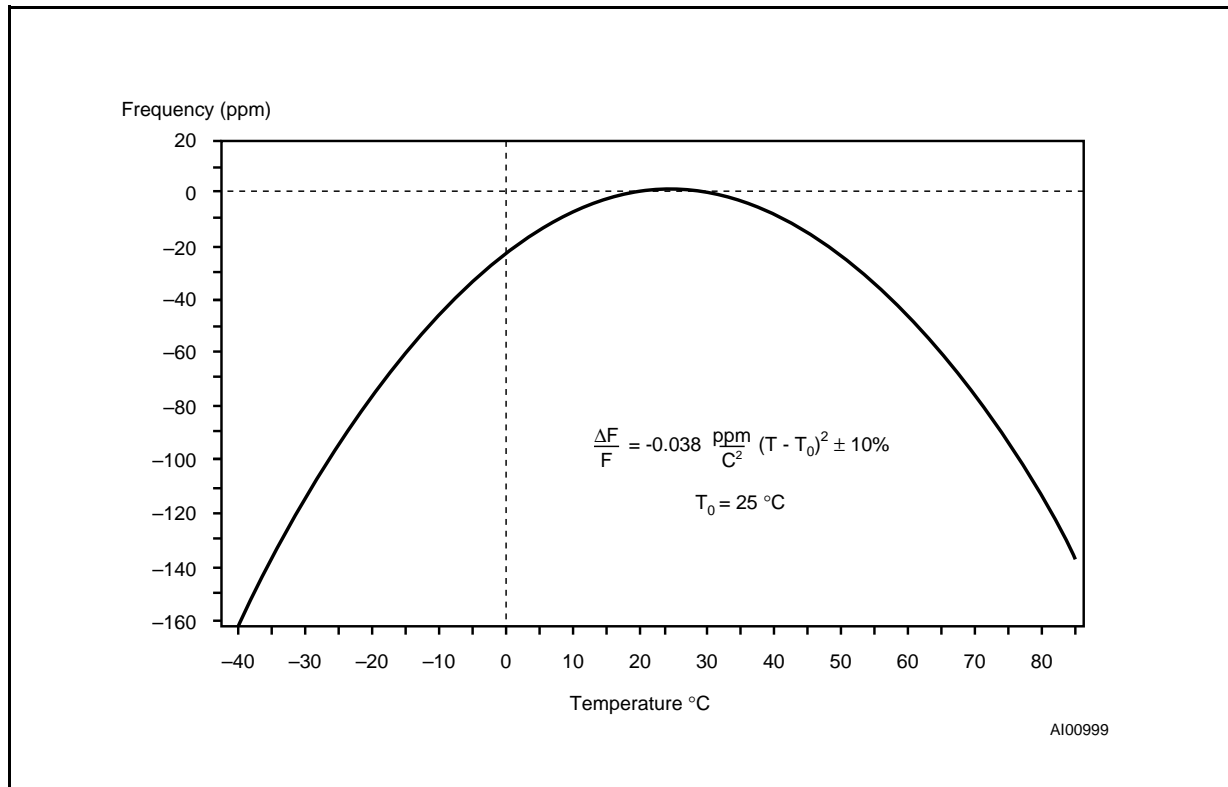
Two methods are available for ascertaining how much calibration a given M48T37Y/37V may require. The first involves simply setting the clock, letting it run for a month and comparing it to a known accurate reference (like WWW broadcasts). While that may seem crude, it allows the designer to give the end user the ability to calibrate his clock as his environment may require, even after the final product is packaged in a non-user serviceable enclosure. All the designer has to do is provide a simple utility that accesses the Calibration byte.

The second approach is better suited to a manufacturing environment, and involves the use of the $\overline{\text{IRQ}}/\text{FT}$ pin. The pin will toggle at 512Hz when the Stop bit (ST, D7 of 7FF9h) is '0', the Frequency Test Bit (FT, D6 of 7FFCh) is '1', the Alarm Flag Enable Bit (AFE, D7 of 7FF6h) is '0', and the Watchdog Steering bit (WDS, D7 of 7FF7h) is '1' or the Watchdog Register is reset (7FF7h=0).

Any deviation from 512 Hz indicates the degree and direction of oscillator frequency shift at the test temperature. For example, a reading of 512.01024 Hz would indicate a $+20$ ppm oscillator frequency error, requiring a -10 (WR001010) to be loaded into the Calibration Byte for correction. Note that setting or changing the Calibration Byte does not affect the Frequency test output frequency.

The $\overline{\text{IRQ}}/\text{FT}$ pin is an open drain output which requires a pull-up resistor for proper operation. A 500-10k Ω resistor is recommended in order to control the rise time. The FT bit is cleared on power-up.

Figure 10. Crystal Accuracy Across Temperature



SETTING ALARM CLOCK REGISTERS

7FF5h-7FF2h contain the alarm settings. The alarm can be configured to go off at a predetermined time on a specific day of the month or repeat every day, hour, minute, or second. It can also be programmed to go off while the M48T37Y/37V is in the battery back-up mode of operation to serve as a system wake-up call.

RPT1-RPT4 put the alarm in the repeat mode of operation. Table 12 shows the possible configurations. Codes not listed in the table default to the once per second mode to quickly alert the user of an incorrect alarm setting.

When the clock information matches the alarm clock settings based on the match criteria defined

by RPT1-RPT4, AF is set. If AFE is also set, the alarm condition activates the $\overline{\text{IRQ}}/\text{FT}$ pin. The alarm flag and the $\overline{\text{IRQ}}/\text{FT}$ output are cleared by a read to the Flags register as shown in Figure 11.

The $\overline{\text{IRQ}}/\text{FT}$ pin can also be activated in the battery back-up mode. The $\overline{\text{IRQ}}/\text{FT}$ will go low if an alarm occurs and both Alarm in Battery Back-up Mode Enable (ABE) and AFE are set. The ABE and AFE bits are reset during power-up, therefore an alarm generated during power-up will only set AF. The user can read the Flag Register at system boot-up to determine if an alarm was generated while the M48T37Y/37V was in the deselect mode during power-up. Figure 12 illustrates the back-up mode alarm timing.

WATCHDOG TIMER

The watchdog timer can be used to detect an out-of-control microprocessor. The user programs the watchdog timer by setting the desired amount of time-out into the eight bit Watchdog Register, address 7FF7h. The five bits (BMB4-BMB0) store a binary multiplier and the two lower order bits (RB1-RB0) select the resolution, where 00=1/16 second, 01=1/4 second, 10=1 second, and 11=4 seconds. The amount of time-out is then determined to be the multiplication of the five bit multiplier value with the resolution. (For example: writing 00001110 in the Watchdog Register = 3x1 or 3 seconds). If the processor does not reset the timer within the specified period, the M48T37Y/37V sets the Watchdog Flag (WDF) and generates a watchdog interrupt or a microprocessor reset.

The most significant bit of the Watchdog Register is the Watchdog Steering Bit. When set to a '0', the watchdog will activate the $\overline{\text{IRQ/FT}}$ pin when timed-out. When WDS is set to a '1', the watchdog will output a negative pulse on the $\overline{\text{RST}}$ pin for a duration of 40ms to 200ms. The Watchdog register and the FT bit will reset to a '0' at the end of a Watchdog time-out when the WDS bit is set to a '1'.

The watchdog timer resets when the microprocessor performs a re-write of the Watchdog Register or an edge transition, (low to high / high to low) on

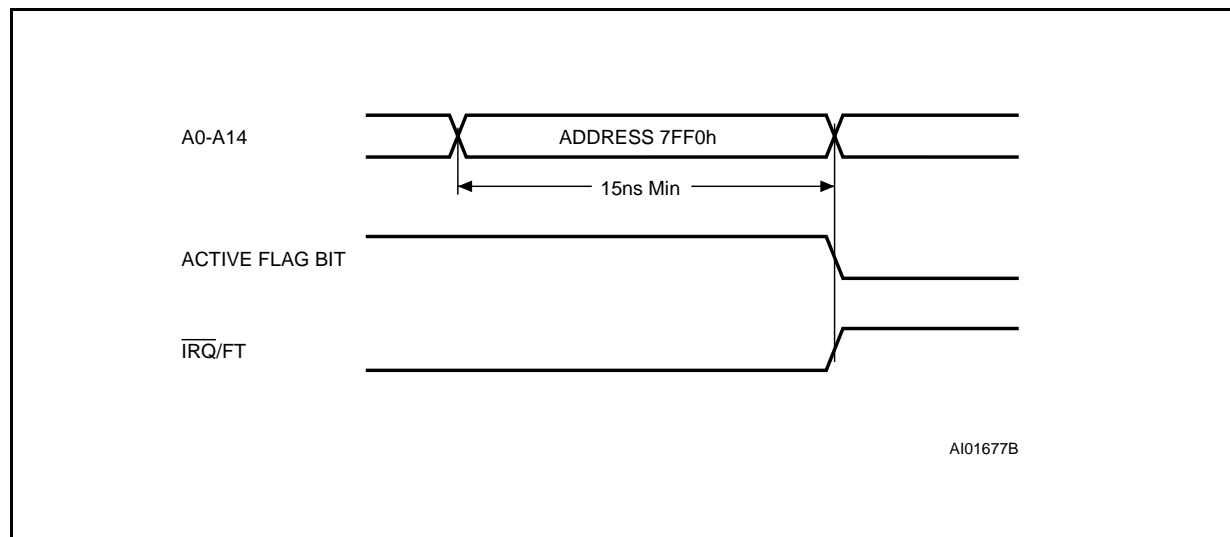
the WDI pin occurs. The time-out period then starts over. The watchdog timer is disabled by writing a value of 00000000 to the eight bits in the Watchdog Register. Should the watchdog timer time out, a value of 00h needs to be written to the Watchdog Register in order to clear the $\overline{\text{IRQ/FT}}$ pin.

The watchdog function is automatically disabled upon power-up and the Watchdog Register is cleared. If the watchdog function is set to output to the $\overline{\text{IRQ/FT}}$ pin and the frequency test function is activated, the watchdog function prevails and the frequency test function is denied. The WDI pin contains a pull-down resistor which is greater than 100k Ω , and therefore can be left unconnected if not used.

Table 12. Alarm Repeat Mode

RPT4	RPT3	RPT2	RPT1	Alarm Activated
1	1	1	1	Once per Second
1	1	1	0	Once per Minute
1	1	0	0	Once per Hour
1	0	0	0	Once per Day

Figure 11. Interrupt Reset Waveforms



BATTERY LOW FLAG

The M48T37Y/37V automatically performs periodic battery voltage monitoring upon power-up and at factory-programmed time intervals of 24 hours. The Battery Low Flag (BL), Bit D4 of Flags Register 7FF0h, will be asserted high if the internal or SNAPHAT battery is found to be less than approximately 2.5V. The BL flag will remain active until completion of battery replacement and subsequent battery low monitoring tests, either during the next power-up sequence or the next scheduled 24-hour interval.

If a battery low is generated during a power-up sequence, this indicates that the battery voltage is below 2.5V (approx.), which may be insufficient to maintain data integrity. Data should be considered suspect and verified as correct. A fresh battery should be installed.

If a battery low indication is generated during the 24-hour interval check, this indicates that the battery is near end of life. However, data has not been

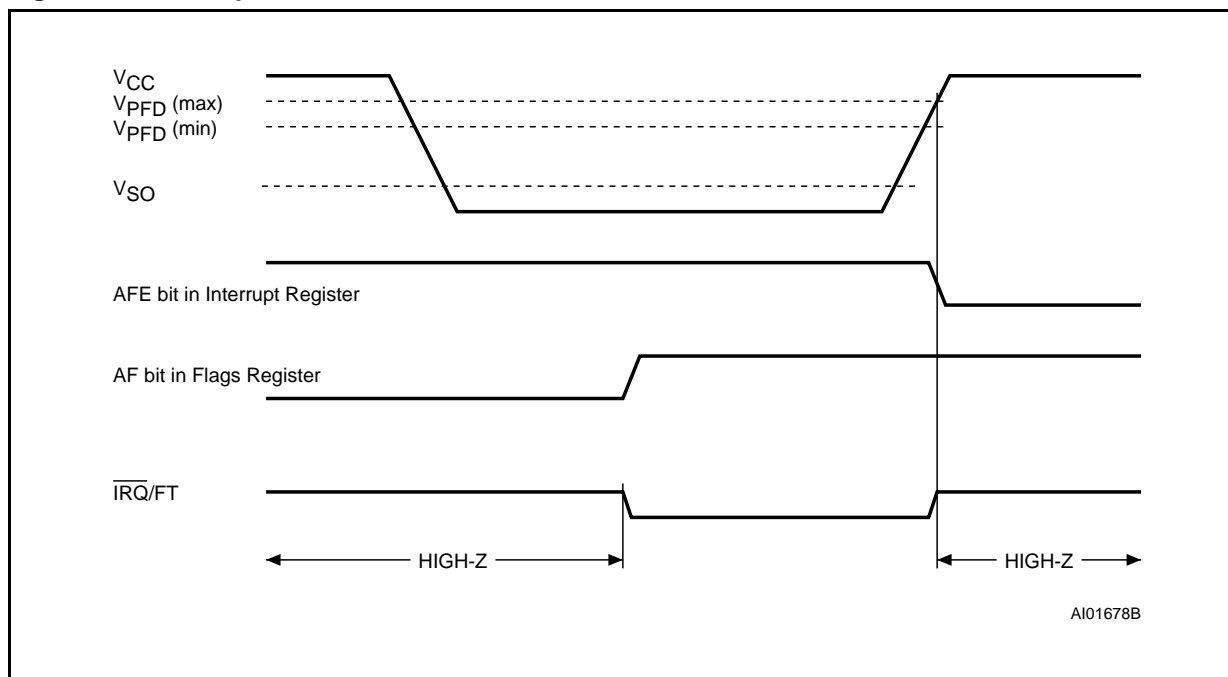
compromised due to the fact that a nominal Vcc is supplied. In order to insure data integrity during subsequent periods of battery back-up mode, it is recommended that the battery be replaced.

Note: Battery monitoring is a useful technique only when performed periodically. The M48T37Y/37V only monitors the battery when a nominal Vcc is applied to the device. Thus applications which require extensive durations in the battery back-up mode should be powered-up periodically (at least once every few months) in order for this technique to be beneficial. Additionally, if a battery low is indicated, data integrity should be verified upon power-up via a checksum or other technique.

POWER-ON DEFAULTS

Upon application of power to the device, the following register bits are set to a '0' state: WDS; BMB0-BMB4; RB0-RB1; AFE; ABE; W; R; FT.

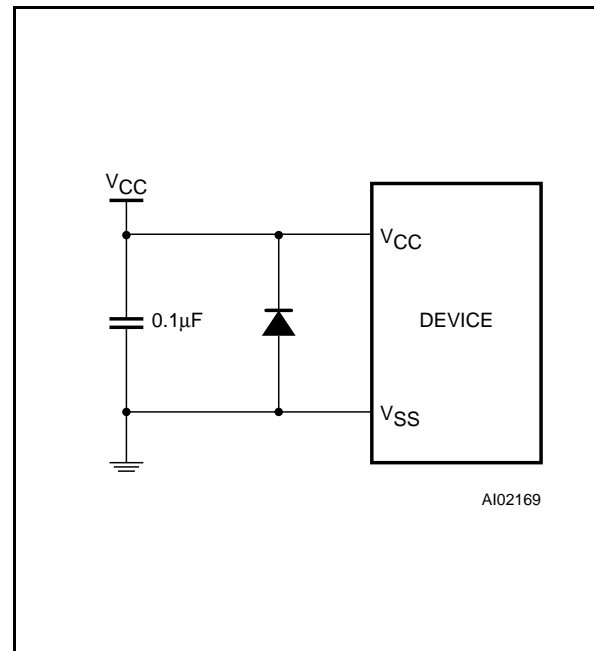
Figure 12. Back-up Mode Alarm Waveforms



POWER SUPPLY DECOUPLING and UNDER-SHOOT PROTECTION

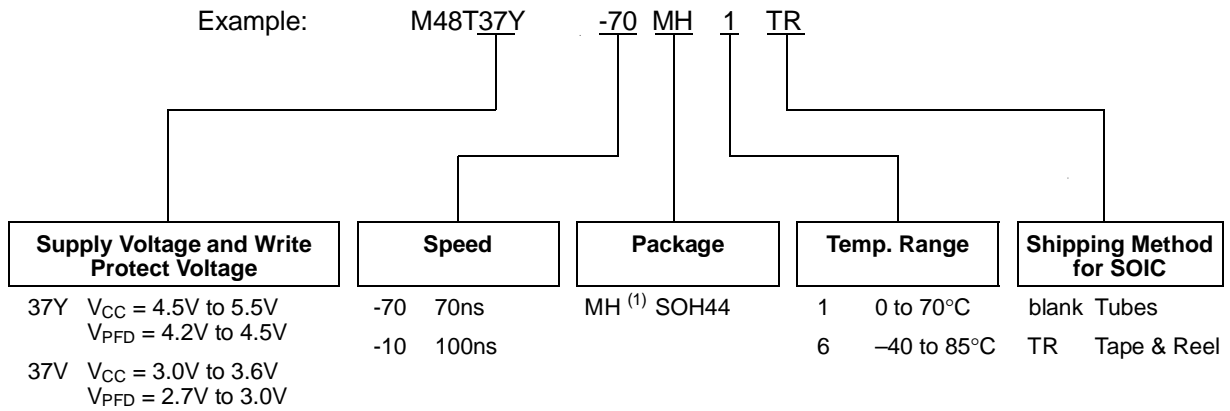
I_{CC} transients, including those produced by output switching, can produce voltage fluctuations, resulting in spikes on the V_{CC} bus. These transients can be reduced if capacitors are used to store energy, which stabilizes the V_{CC} bus. The energy stored in the bypass capacitors will be released as low going spikes are generated or energy will be absorbed when overshoots occur. A ceramic bypass capacitor value of 0.1μF (as shown in Figure 13) is recommended in order to provide the needed filtering.

In addition to transients that are caused by normal SRAM operation, power cycling can generate negative voltage spikes on V_{CC} that drive it to values below V_{SS} by as much as one Volt. These negative spikes can cause data corruption in the SRAM while in battery backup mode. To protect from these voltage spikes, it is recommended to connect a schottky diode from V_{CC} to V_{SS} (cathode connected to V_{CC}, anode to V_{SS}). Schottky diode 1N5817 is recommended for through hole and MBRS120T3 is recommended for surface mount.

Figure 13. Supply Voltage Protection

M48T37Y, M48T37V

ORDERING INFORMATION SCHEME



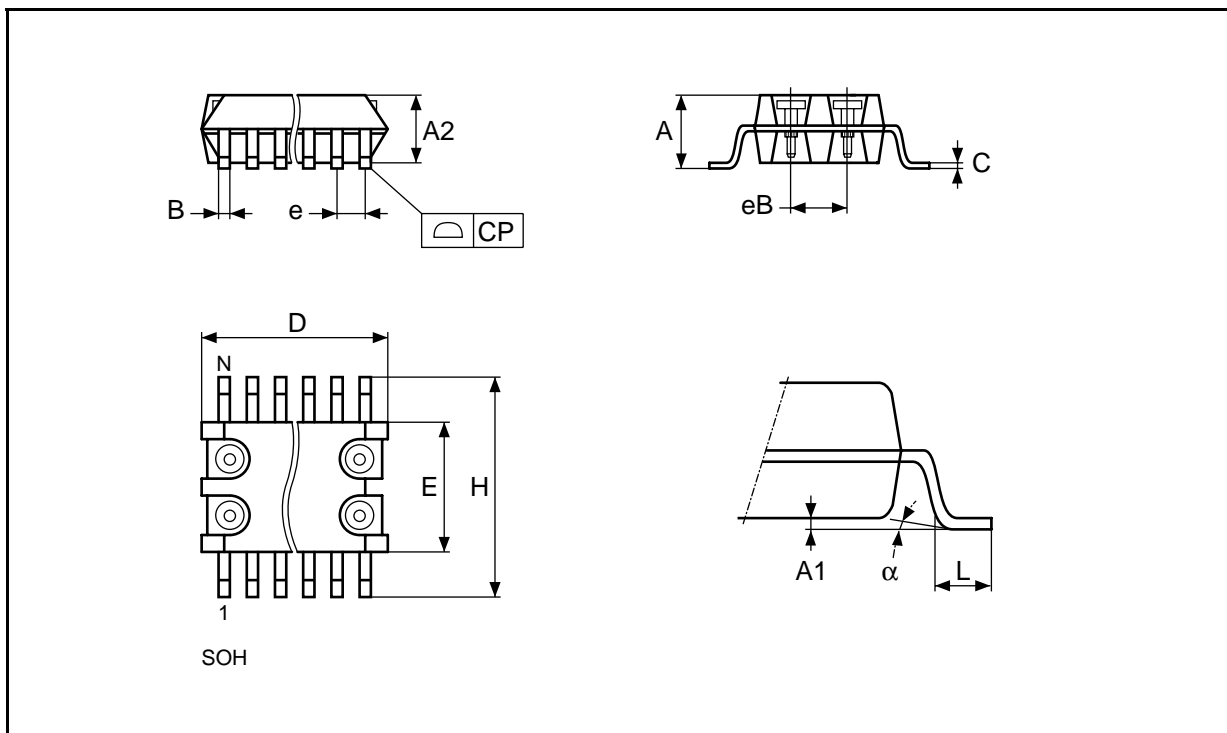
Note: 1. The SOIC package (SOH44) requires the battery/crystal package (SNAPHAT) which is ordered separately under the part number "M4TXX-BR12SH1" in plastic tube or "M4TXX-BR12SH1TR" in Tape & Reel form.

Caution: Do not place the SNAPHAT battery/crystal package "M4TXX-BR12SH1" in conductive foam since this will drain the lithium button-cell battery.

For a list of available options (Package, etc...) or for further information on any aspect of this device, please contact the STMicroelectronics Sales Office nearest to you.

SOH44 - 44 lead Plastic Small Outline, battery SNAPHAT

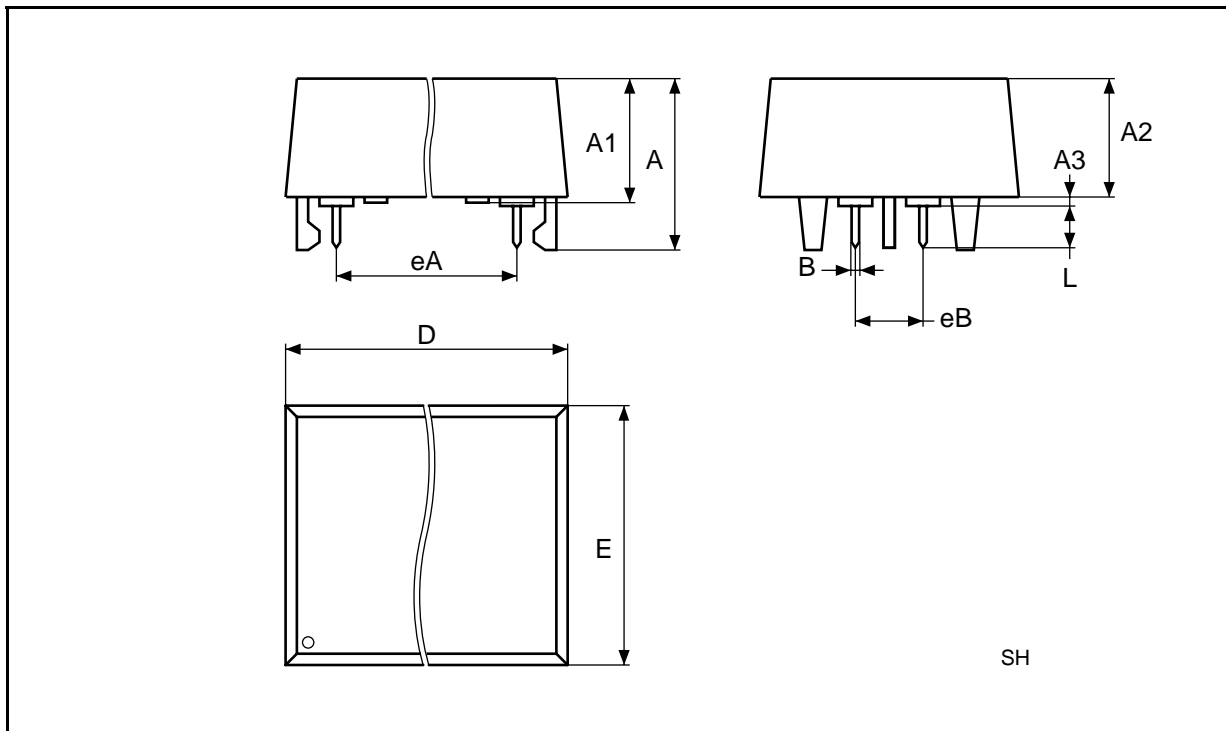
Symb	mm			inches		
	Typ	Min	Max	Typ	Min	Max
A			3.05			0.120
A1		0.05	0.36		0.002	0.014
A2		2.34	2.69		0.092	0.106
B		0.36	0.46		0.014	0.018
C		0.15	0.32		0.006	0.012
D		17.71	18.49		0.697	0.728
E		8.23	8.89		0.324	0.350
e	0.81	-	-	0.032	-	-
eB		3.20	3.61		0.126	0.142
H		11.51	12.70		0.453	0.500
L		0.41	1.27		0.016	0.050
α		0°	8°		0°	8°
N	44			44		
CP			0.10			0.004



Drawing is not to scale.

M4T28-BR12SH - SNAPHAT Housing for 28 lead Plastic Small Outline

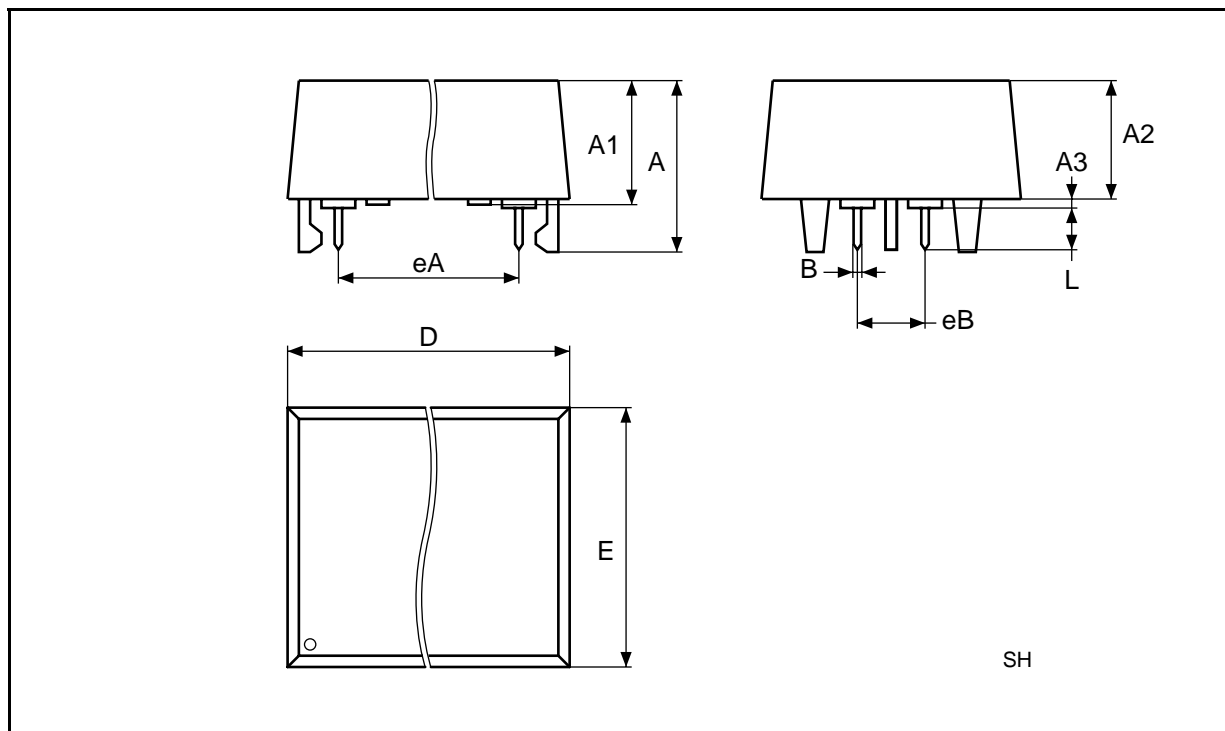
Symb	mm			inches		
	Typ	Min	Max	Typ	Min	Max
A			9.78			0.385
A1		6.73	7.24		0.265	0.285
A2		6.48	6.99		0.255	0.275
A3			0.38			0.015
B		0.46	0.56		0.018	0.022
D		21.21	21.84		0.835	0.860
E		14.22	14.99		0.560	0.590
eA		15.55	15.95		0.612	0.628
eB		3.20	3.61		0.126	0.142
L		2.03	2.29		0.080	0.090



Drawing is not to scale.

M4T32-BR12SH - SNAPHAT Housing for 32 lead Plastic Small Outline

Symb	mm			inches		
	Typ	Min	Max	Typ	Min	Max
A			10.54			0.415
A1		8.00	8.51		0.315	0.335
A2		7.24	8.00		0.285	0.315
A3			0.38			0.015
B		0.46	0.56		0.018	0.022
D		21.21	21.84		0.835	0.860
E		17.27	18.03		0.680	0.710
eA		15.55	15.95		0.612	0.628
eB		3.20	3.61		0.126	0.142
L		2.03	2.29		0.080	0.090



Drawing is not to scale.

Information furnished is believed to be accurate and reliable. However, STMicroelectronics assumes no responsibility for the consequences of use of such information nor for any infringement of patents or other rights of third parties which may result from its use. No license is granted by implication or otherwise under any patent or patent rights of STMicroelectronics. Specifications mentioned in this publication are subject to change without notice. This publication supersedes and replaces all information previously supplied. STMicroelectronics products are not authorized for use as critical components in life support devices or systems without express written approval of STMicroelectronics.

The ST logo is a registered trademark of STMicroelectronics

© 1998 STMicroelectronics - All Rights Reserved

® TIMEKEEPER and SNAPHAT are registered trademarks of STMicroelectronics

™ BiPORT is a trademark of STMicroelectronics

STMicroelectronics GROUP OF COMPANIES

Australia - Brazil - China - France - Germany - Italy - Japan - Korea - Malaysia - Malta - Mexico - Morocco - The Netherlands - Singapore - Spain - Sweden - Switzerland - Taiwan - Thailand - United Kingdom - U.S.A.

<http://www.st.com>