

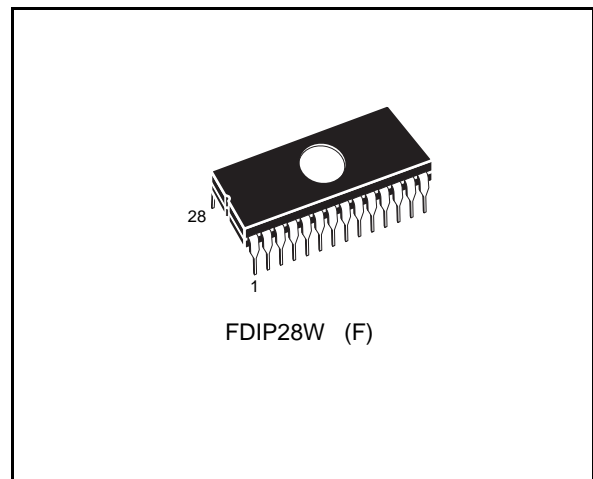
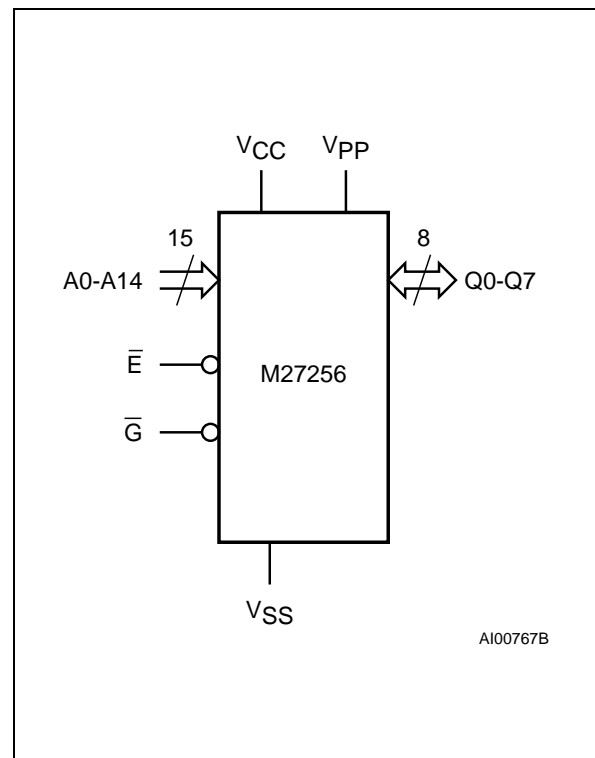
**256 Kbit (32Kb x 8) NMOS UV EPROM**
**DATA BRIEFING**

- FAST ACCESS TIME: 170ns
- EXTENDED TEMPERATURE RANGE
- SINGLE 5V SUPPLY VOLTAGE
- LOW STANDBY CURRENT: 40mA max
- TTL COMPATIBLE DURING READ and PROGRAM
- FAST PROGRAMMING ALGORITHM
- ELECTRONIC SIGNATURE
- PROGRAMMING VOLTAGE: 12V

**DESCRIPTION**

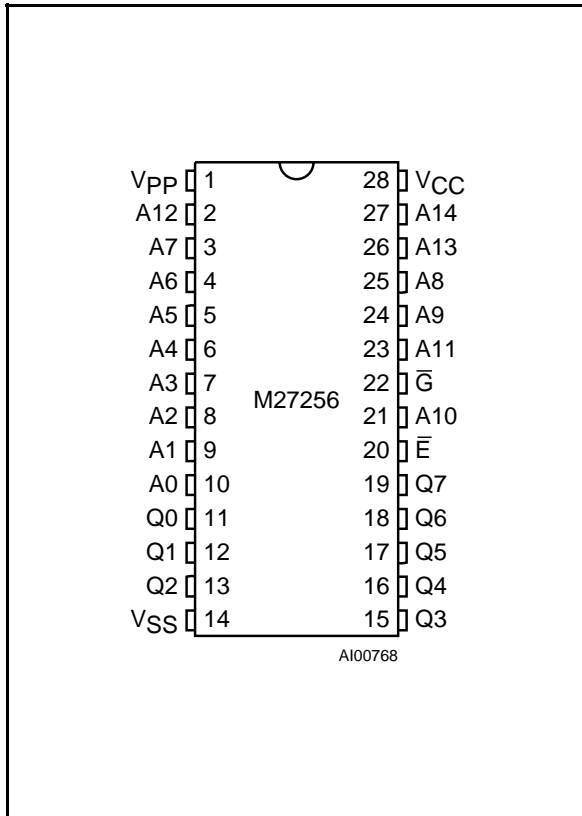
The M27256 is a 262,144 bit UV erasable and electrically programmable memory EPROM. It is organized as 32.768 words by 8 bits.

The M27256 is housed in a 28 pin Window Ceramic Frit-Seal Dual-in-Line package. The transparent lid allows the user to expose the chip to ultraviolet light to erase the bit pattern. A new pattern can then be written to the device by following the programming procedure.


**Logic Diagram**

**Signal Names**

A0-A14	Address Inputs
Q0-Q7	Data Outputs
$\bar{E}$	Chip Enable
$\bar{G}$	Output Enable
V <sub>PP</sub>	Program Supply
V <sub>CC</sub>	Supply Voltage
V <sub>SS</sub>	Ground

DIP Pin Connections



Ordering Information Scheme

For a list of available options or for further information on any aspect of this device, please contact the SGS-THOMSON Sales Office nearest to you.

Example: M27256 -2 F 1

<b>Speed and V<sub>CC</sub> Tolerance</b>	-2	F	1
-1	170ns, 5V±5%		
-2	200ns, 5V±5%		
blank	250ns, 5V±5%		
-3	300ns, 5V±5%		
-4	450ns, 5V±5%		
-20	200ns, 5V±10%		
-25	250ns, 5V±10%		
<b>Package</b>	F	FDIP28W	
<b>Temp. Range</b>	1	0 to 70 °C	
	6	-40 to 85 °C	