



No.1434G

LM7000, 7000N

**Direct PLL Frequency Synthesizer
for Electronic Tuning**

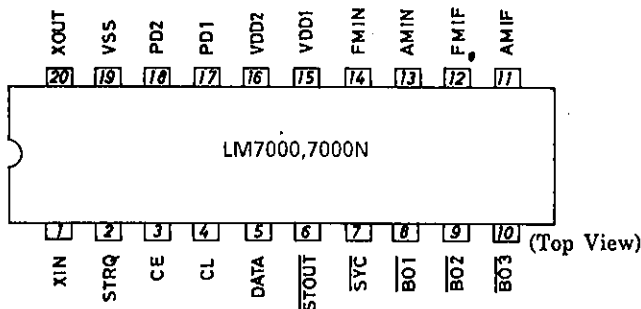
Features

- The LM7000N is a modified version of the LM7000 whose phase comparator dead zone is changed.
- High-speed programmable divider capable of direct dividing FM band VCO frequency.
- Reference frequency (7 kinds) : 100,50,25,10,9,5,1kHz
- Output for band select (3 bits)
- Clock output for controller (400kHz)
- Time base output for clock (8Hz)
- Data input : Serial input (CE,CL,DATA pins)
- On-chip IF count circuit : FM : $\pm 10\text{kHz}$
MW, SW : $\pm 3\text{kHz}$
LW : $\pm 0.6\text{kHz}$

Absolute Maximum Ratings at $T_a = 25^\circ\text{C}, V_{SS} = 0\text{V}$

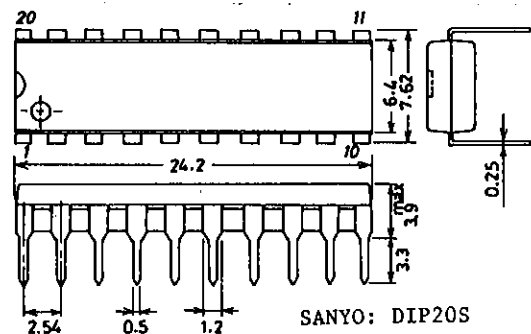
				unit
Maximum Supply Voltage	$V_{DD} \text{ max}$	V_{DD1}, V_{DD2}	-0.3 to +7.0	V
Maximum Input Voltage	$V_{IN1} \text{ max}$	CE, CL, DATA, STRQ	-0.3 to +7.0	V
	$V_{IN2} \text{ max}$	Input pins other than V_{IN1}	-0.3 to $V_{DD} + 0.3$	V
Maximum Output Voltage	$V_{OUT1} \text{ max}$	SYC, STOUT	-0.3 to +7.0	V
	$V_{OUT2} \text{ max}$	BO1, BO2, BO3	-0.3 to +13	V
	$V_{OUT3} \text{ max}$	Output pins other than $V_{OUT1,2}$	-0.3 to $V_{DD} + 0.3$	V
Allowable Power Dissipation	$P_d \text{ max}$	$T_a = 85^\circ\text{C}$	300	mW
Operating Temperature	T_{opr}		-40 to +85	$^\circ\text{C}$
Storage Temperature	T_{stg}		-55 to +125	$^\circ\text{C}$

Pin Assignment



Package Dimensions 3021B

(unit : mm)



LM7000,7000N

Allowable Operating Conditions at $T_a = -40$ to $+85^\circ\text{C}$, $V_{SS} = 0\text{V}$

				unit
Supply Voltage	V_{DD1}	V_{DD1} , PLL operation	4.5 to 6.5	V
	V_{DD2}	V_{DD2} , Xtal OSC time base	3.5 to 6.5	V
Input 'H'-Level Voltage	V_{IH}	CE, CL, DATA, STRQ	2.2 to 6.5	V
Input 'L'-Level Voltage	V_{IL}	CE, CL, DATA, STRQ	0 to 0.7	V
Output Voltage	V_{OUT1}	SYC, STOUT	0 to 6.5	V
	V_{OUT2}	BO1, BO2, BO3	0 to 13	V
Output Current	I_{OUT}	BO1, BO2, BO3, $V_{DD} = 4.5$ to 6.5V	0 to 3.0	mA
Input Frequency	f_{in1}	XIN, sine wave, capacitive coupling	1.0 to 7.2typ to 8.0	MHz
	f_{in2}	FMIN, " (Note 1), *(S=1)	45 to 130	MHz
	f_{in3}	FMIN, " (Note 2), *(S=1)	5 to 30	MHz
	f_{in4}	AMIN, " *(S=0)	0.5 to 10	MHz
	f_{in5}	FMIF, "	10.0 to 10.7typ to 11.5	MHz
	f_{in6}	AMIF, "	400 to 450typ to 500	kHz
Oscillation-Guaranteed Crystal Resonator	Xtal	XIN-XOUT, $C_I \leq 30\Omega$	5.0 to 7.2typ to 8.0	MHz
Input Amplitude	V_{in1}	XIN, sine wave, capacitive coupling	0.5 to 1.5	Vrms
	V_{in2}	FMIN, "	0.1 to 1.5	Vrms
	V_{in3}	AMIN, "	0.1 to 1.5	Vrms
	V_{in4}	FMIF, "	0.1 to 1.5	Vrms
	V_{in5}	AMIF, "	0.1 to 1.5	Vrms

* : 'S' : Control bit in serial data

(Note 1) : $f_{ref} = 100, 50, 25\text{kHz}$ (Note 2) : Reference frequency other than $f_{ref} =$ (Note 1)

Electrical Characteristics / Under allowable operating conditions

			min	typ	max	unit		
On-chip Feedback Resistance	R_{f1}	XIN		1.0		$M\Omega$		
	R_{f2}	FMIN		0.5		$M\Omega$		
	R_{f3}	AMIN		0.5		$M\Omega$		
	R_{f4}	FMIF		0.5		$M\Omega$		
	R_{f5}	AMIF		0.5		$M\Omega$		
Input 'H'-Level Current	I_{IH}	CE, CL, DATA, STRQ			5.0	μA		
Input 'L'-Level Current	I_{IL}	CE, CL, DATA, STRQ			5.0	μA		
Output 'L'-Level Voltage	V_{OL1}	FMIF, AMIF, FMIN, AMIN			3.5	V		
	V_{OL2}	SYC	$I_O = 0.1\text{mA}$, (Note 3)	0.02	0.3	V		
Output Off Leak Current	I_{off1}	SYC			5.0	μA		
Output 'L'-Level Voltage	V_{OL3}	STOUT			1.0	V		
Output Off Leak Current	I_{off2}	STOUT			5.0	μA		
Output 'L'-Level Voltage	V_{OL4}	BO1 to 3			1.0	V		
Output Off Leak Current	I_{off3}	BO1 to 3			3.0	μA		
Output 'H'-Level Voltage	V_{OH1}	PD1,2			$0.5V_{DD}$	V		
Output 'L'-Level Voltage	V_{OL5}	PD1,2			0.3	V		
'H'-Level Tri-state Off Leak Current	I_{offH}	PD1,2			0.01	10.0	nA	
	I_{offL}	PD1,2			0.01	10.0	nA	
Supply Voltage	I_{DD1}	$V_{DD1} + V_{DD2}$			25	40	mA	
	I_{DD2}	V_{DD2}			2.0	3.5	mA	
Input Capacitance	c_{in}	FMIN			1	2	3	pF

(Note 3) $V_{DD} = 3.5$ to 6.5V

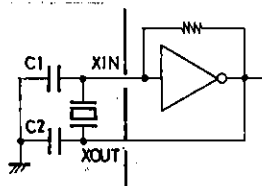
(Note 4) 7.2MHz Xtal connected across XIN and XOUT

$f_{in2} = 130\text{MHz}$

$V_{IN2} = 100\text{mVrms}$

Other input pins = V_{SS}

Output pins = Open



Kinseki Co., Ltd

HC43/U: 2114-84521 (1) : $CL = 10\text{pF}$ $C1 = 15$ (10 to 22)pF $C2 = 15\text{pF}$

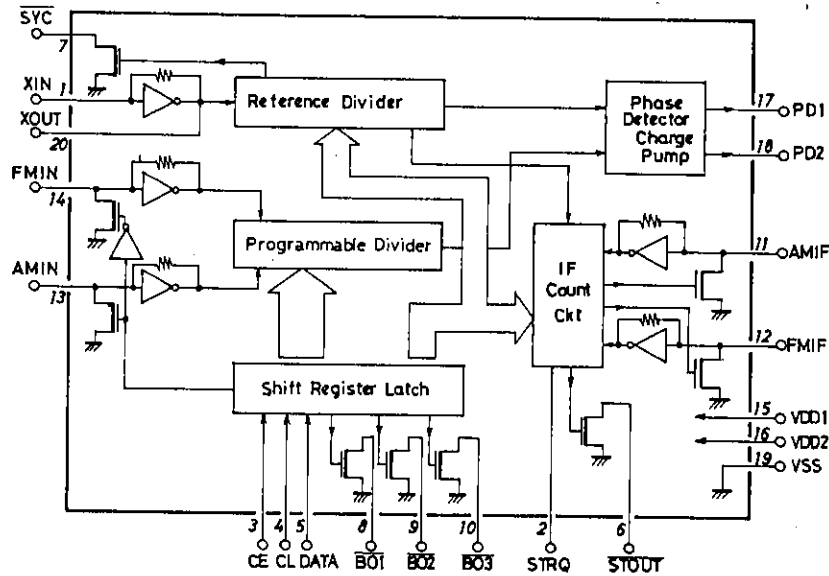
HC43/U: 2114-84521 (2) : $CL = 16\text{pF}$ $C1 = 22$ (15 to 33)pF $C2 = 33\text{pF}$

Nihon Denpa Kogyo Co., Ltd

NR-18: LM-X-0701 : $CL = 10\text{pF}$ $C1 = 15\text{pF}$ $C2 = 15\text{pF}$

LM7000, 7000N

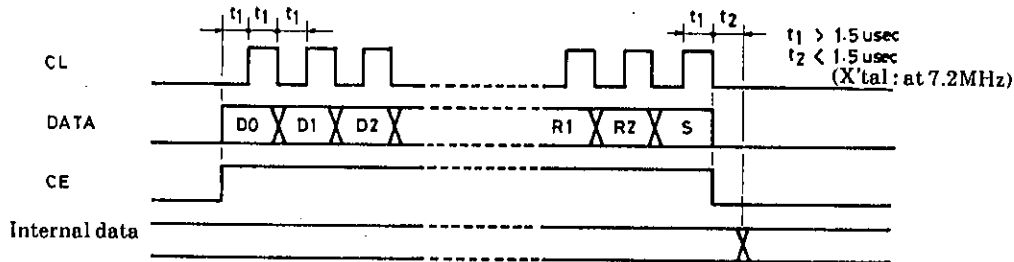
Equivalent Circuit Block Diagram



Pin Description

- SYC : Controller clock (400kHz)
- XIN, XOUT : Xtal OSC (7.2MHz), on-chip feedback resistor
- FMIN, AMIN : Local oscillation signal input
- CE, CL, DATA : Data input
- BO1, BO2, BO3 : Band data output, $\overline{BO1}$ can be also used for time base output (8Hz)
- STRQ : IF count request input
- STOUT : Auto search stop signal output
- VDD1, VDD2, VSS : Power supply (VDD2 is for backup)
- AMIF, FMIF : IF signal input
- PD1, PD2 : Charge pump output

Data Input



← Inputting starts at D0.

D0	D1	D2	D3	D4	D5	D6	D7	D8	D9	D10	D11	D12	D13	T0	T1	B0	B1	B2	TB	R0	R1	R2	S
----	----	----	----	----	----	----	----	----	----	-----	-----	-----	-----	----	----	----	----	----	----	----	----	----	---

(1) D0 (LSB) to D13 (MSB) : Division ratio data

For FMIN, use D0 to D13; for AMIN, use D4 to D13.

D0	D1	D2	D3	D4	D5	D6	D7	D8	D9	D10	D11	D12	D13
----	----	----	----	----	----	----	----	----	----	-----	-----	-----	-----

1	1	1	1	0	1	1	1	1	1	0	0	0	0		MSB	→ FMIN division ratio = 1007
X	X	X	X	1	0	0	0	1	0	0	1	0	0		MSB	→ AMIN division ratio = 145
				LSB												

Continued on next page.

Continued from preceding page.

Example

① FM 100kHz Step ($f_{ref}=100\text{kHz}$)

FM VCO = 100.7MHz (FM RF = 90.0MHz, IF = + 10.7MHz)

Division Ratio = 100.7MHz (FM VCO) \div 100kHz(f_{ref}) = 1007 \rightarrow 3EF_(HEX)

② AM 10kHz Step ($f_{ref}=10\text{kHz}$)

AM VCO = 1450kHz (AM RF = 1000kHz, IF = + 450kHz)

Division Ratio = 1450kHz (AM VCO) \div 10kHz (f_{ref}) = 145 \rightarrow 91_(HEX)

(2) T0, T1 : For LSI test (0, 0)

(3) B0 to B2, TB : Band data
: Time base data

Input				Output		
B0	B1	B2	TB	BO1	BO2	BO3
0	0	0	0	*	*	*
0	0	1	0	0	0	1
0	1	0	0	0	1	0
0	1	1	0	0	1	1
1	0	0	0	1	0	0
1	0	1	0	1	0	1
1	1	0	0	1	1	0
1	1	1	0	1	1	1
0	0	0	1	TB	*	*
×	1	0	1	TB	1	0
×	0	1	1	TB	0	1
×	1	1	1	TB	1	1
1	0	0	1	TB	0	0

* : Determined by R0 to R2

×

TB : 8Hz

(4) R0 to R2 : Reference frequency data

R0	R1	R2	fref	BO1	BO2	BO3	IF Count
0	0	0	100 kHz	1	1	0	10.7MHz \pm 10kHz
0	0	1	50	1	1	0	
0	1	0	25	1	1	0	
0	1	1	5	0	0	1	450kHz \pm 3 kHz
1	0	0	10	1	0	1	
1	0	1	9	1	0	1	
1	1	0	1	0	1	1	450kHz \pm 0.6kHz
1	1	1	5	0	0	1	450kHz \pm 3 kHz

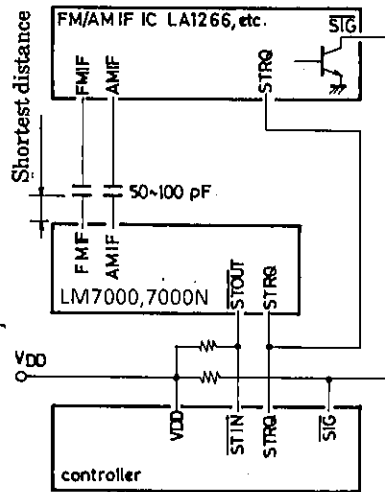
(Note) B0 to B2 = 0

(5) S : Divider select data

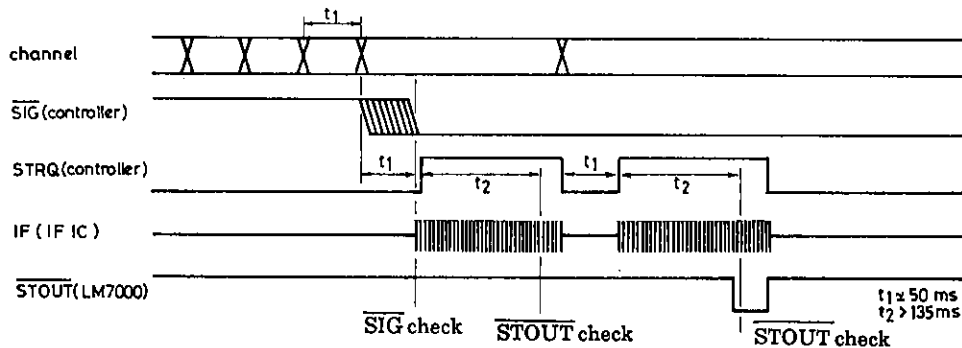
'1' : FMIN, '0' : AMIN

LM7000,7000N

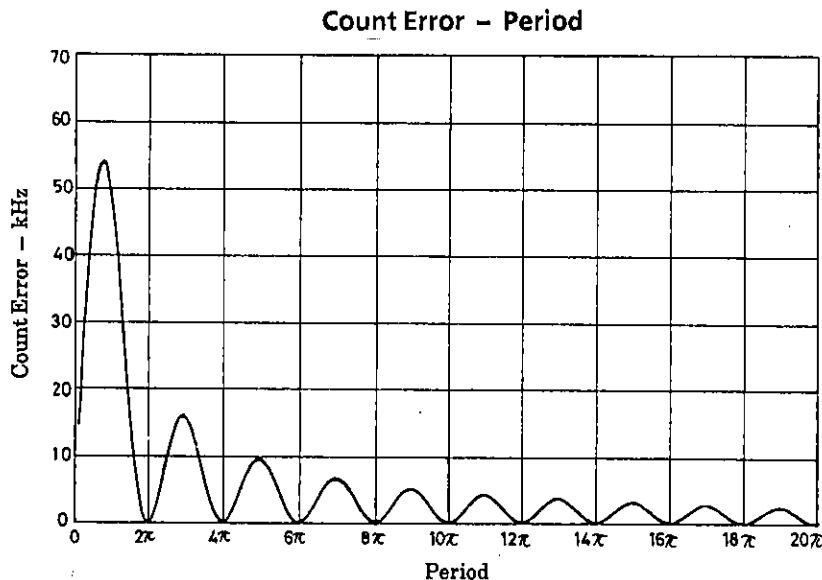
IF Count Circuit : Circuit to stop auto tuning



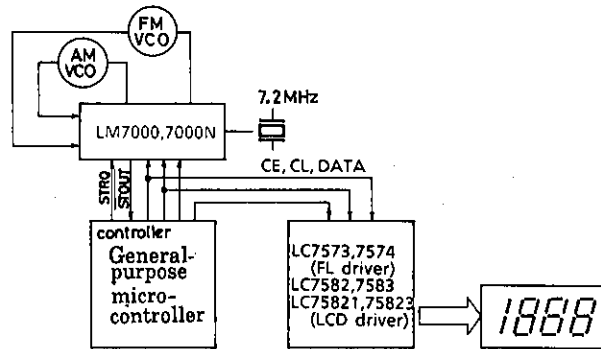
- When in the neighborhood of a broadcasting station, "SIG" signal is output, setting SIG of the controller to "0".
- "STRQ" signal is applied to the LM7000 and IF IC from the controller.
- IF signal is applied to the LM7000 from the IF IC and the LM7000 counts this signal.
- When a specified count value is reached, "STOUT" signal is applied to the controller from the LM7000, stopping auto tuning.



- Counting is performed only at "STRQ" = 1.
- The count time is 120msec.
- For FM, the count error is shown below.
(Example : For 50Hz-100% modulation, the maximum count error is 5kHz.)

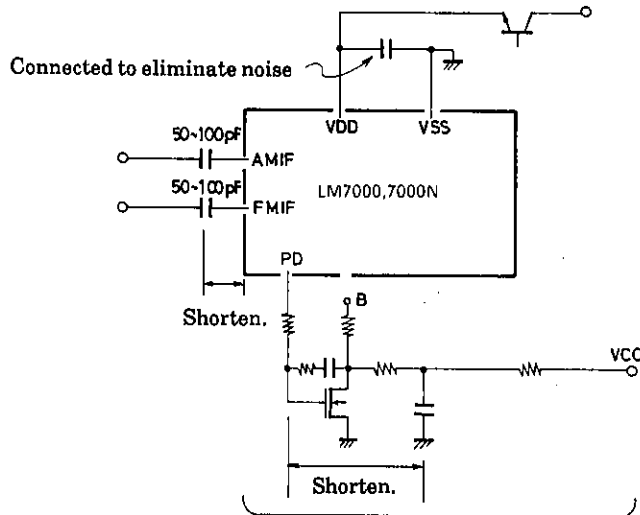


Sample Connection to Controller



Notes for Using PLL IC

(1) The layout nearby PLL-IC.



Surround this section with the ground pattern, because it is in a high impedance state and is very susceptible to noise.

(2) State of output ports ($\overline{BO1}$ to $\overline{BO3}$) at power-on.

The output ports are undefined until the control data is transmitted.

The $\overline{BO1}$ and $\overline{BO3}$ ports may output a internal clock of PLL-IC, and so don't forget to transmitte of control data after power-on.

The control data should be input only after X'tal OSC have become stable.

(3) VCO design.

At design of the VCO, try to do not stop oscillation no matter what Tuning Voltage(Vtune) is 0 Volt. When the VCO oscillation stops, the PLL is possible to become a dead -lock condition.

Differences Between the LM7000 and LM7000N

The only difference between LM7000 and LM7000N is the phase detector dead zone. Otherwise, they are identical.

Continued on next page.

Continued from preceding page.

Dead Zone

The phase detector shown in figure 1 compares the reference frequency (f_r) with f_p . The characteristics of the phase detector are shown in figure 2. A phase detector ideally should output a voltage proportional to the phase difference (ϕ) as shown by curve (A), but in reality, delays in the internal circuitry mean that small phase differences cannot be detected. This causes the dead zone shown by curve (B). To realize a large signal-to-noise ratio, this dead zone should be made as small as possible.

Standard models, however, can have a rather wide dead zone. When there is a strong RF input signal, with these models, the VCO can be modulated to compensate for part of the RF signal being leak to the VCO from the MIX. In the case of dead zone is small, the VCO output is modulated and a beat between the RF and VCO is created.

Figure 1

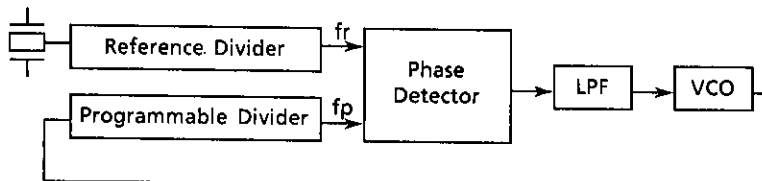
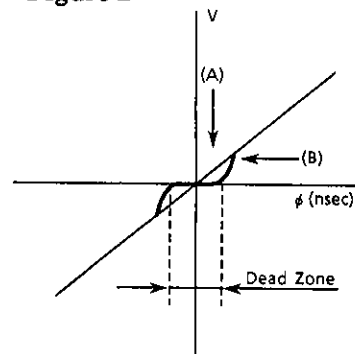


Figure 2



LM7000/LM7000N

Because of the above reasons, the LM7000 and LM7000N were developed with different dead zones.

LM7000 : Dead zone \approx 0 ns, S/N is 90 to 100 dB or greater

LM7000N : Dead zone \approx 5 to 10 ns, for standard models

Note

If the LM7000N is used in a circuit designed for the LM7000, the S/N ratio will decrease.

- No products described or contained herein are intended for use in surgical implants, life-support systems, aerospace equipment, nuclear power control systems, vehicles, disaster/crime-prevention equipment and the like, the failure of which may directly or indirectly cause injury, death or property loss.
- Anyone purchasing any products described or contained herein for an above-mentioned use shall:
 - ① Accept full responsibility and indemnify and defend SANYO ELECTRIC CO., LTD., its affiliates, subsidiaries and distributors and all their officers and employees, jointly and severally, against any and all claims and litigation and all damages, cost and expenses associated with such use:
 - ② Not impose any responsibility for any fault or negligence which may be cited in any such claim or litigation on SANYO ELECTRIC CO., LTD., its affiliates, subsidiaries and distributors or any of their officers and employees jointly or severally.
- Information (including circuit diagrams and circuit parameters) herein is for example only; it is not guaranteed for volume production. SANYO believes information herein is accurate and reliable, but no guarantees are made or implied regarding its use or any infringements of intellectual property rights or other rights of third parties.