



# LD2979 SERIES

## VERY LOW DROP VOLTAGE REGULATORS WITH INHIBIT

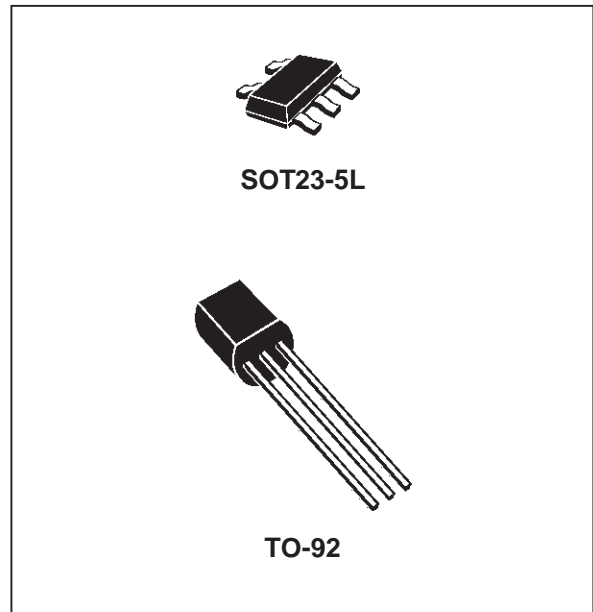
- VERY LOW DROPOUT VOLTAGE (0.2V TYP. AT 50mA LOAD)
- VERY LOW QUIESCENT CURRENT (TYP. 500 $\mu$ A AT 50mA LOAD)
- OUTPUT CURRENT UP TO 50 mA
- LOGIC-CONTROLLED ELECTRONIC SHUTDOWN
- OUTPUT VOLTAGES OF 2.85; 3.0; 3.2; 3.3; 3.8; 5.0V
- INTERNAL CURRENT AND THERMAL LIMIT
- SUPPLY VOLTAGE REJECTION: 63dB (TYP)
- ONLY 1 $\mu$ F FOR STABILITY
- SELECTION AT 25 °C
- TEMPERATURE RANGE: -25 TO 125 °C
- PACKAGE AVAILABLE: SOT23-5L AND TO-92

### DESCRIPTION

The LD2979 series are very Low Drop regulators available in SOT23-5L and TO-92.

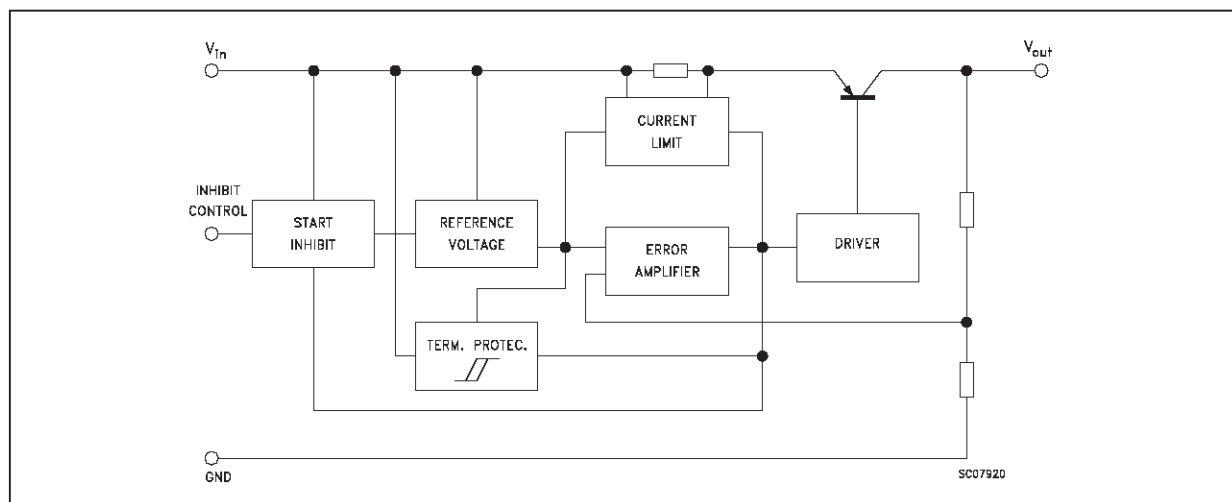
The very low drop-voltage and the very low quiescent current make them particularly suitable for low noise, low power applications and in battery powered systems.

Shutdown Logic Control function is available on five pin version (TTL compatible). This means



that when the device is used as local regulator, it is possible to put a part of the board in standby, decreasing the total power consumption.

### SCHEMATIC DIAGRAM



# LD2979

## ABSOLUTE MAXIMUM RATING

Symbol	Parameter	Value	Unit
$V_{IN}$	DC Input Voltage	16	V
$I_o$	Output Current	Internally limited	mA
$P_{tot}$	Power Dissipation	Internally limited	mW
$T_{stg}$	Storage Temperature Range	- 40 to 150	°C
$T_{op}$	Operating Junction Temperature Range	- 25 to 125	°C

## CONNECTION DIAGRAM (top view)



SYMBOL	NAME AND FUNCTION	PIN NUMBER	
		SOT23-5L	TO-92
$V_{IN}$	Input Voltage	1	3
GND	Ground	2	2
INHIBIT	Control Switch ON/OFF	3	-
NC	Not to be connected	4	-
$V_{OUT}$	Output Voltage	5	1

## ORDERING NUMBERS

SOT23-5L	TO-92	Output Voltage
LD2979M28	LD2979Z28	2.85 V
LD2979M30	LD2979Z30	3.0 V
LD2979M32	LD2979Z32	3.2 V
LD2979M33	LD2979Z33	3.3 V
LD2979M38	LD2979Z38	3.8 V
LD2979M50	LD2979Z50	5.0 V

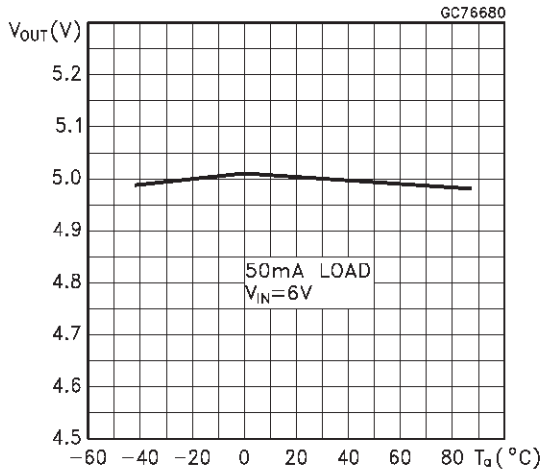
**ELECTRICAL CHARACTERISTICS FOR LD2979** (refer to the test circuits,  $T_a = 25\text{ }^\circ\text{C}$ ,  
 $V_{IN} = V_{O(NOM)} + 1$ ,  $C_O = 1\text{ }\mu\text{F}$ ,  $I_O = 1\text{ mA}$ ,  $V_{inh} = 2V^{(*)}$ ) (unless otherwise specified)

Symbol	Parameter	Test Conditions	Min.	Typ.	Max.	Unit
$V_o$	Output Voltage	$V_{IN} = 3.85\text{ V}$	2.793	2.85	2.907	V
		$1 < I_o < 50\text{ mA}$ , $-25 < T_a < 125\text{ }^\circ\text{C}$	2.736		2.964	V
$V_o$	Output Voltage	$V_{IN} = 4\text{ V}$	2.940	3	3.060	V
		$1 < I_o < 50\text{ mA}$ , $-25 < T_a < 125\text{ }^\circ\text{C}$	2.880		3.120	V
$V_o$	Output Voltage	$V_{IN} = 4.2\text{ V}$	3.136	3.2	3.264	V
		$1 < I_o < 50\text{ mA}$ , $-25 < T_a < 125\text{ }^\circ\text{C}$	3.072		3.328	V
$V_o$	Output Voltage	$V_{IN} = 4.3\text{ V}$	3.234	3.3	3.366	V
		$1 < I_o < 50\text{ mA}$ , $-25 < T_a < 125\text{ }^\circ\text{C}$	3.168		3.432	V
$V_o$	Output Voltage	$V_{IN} = 4.8\text{ V}$	3.724	3.8	3.876	V
		$1 < I_o < 50\text{ mA}$ , $-25 < T_a < 125\text{ }^\circ\text{C}$	3.648		3.952	V
$V_o$	Output Voltage	$V_{IN} = 6\text{ V}$	4.9	5	5.1	V
		$1 < I_o < 50\text{ mA}$ , $-25 < T_a < 125\text{ }^\circ\text{C}$	4.8		5.2	V
$I_{out}$	Output Current Limit		100			mA
$\Delta V_o$	Line Regulation	$V_{O(NOM)} + 1 < V_{IN} < 16\text{ V}$ , $I_o = 1\text{ mA}$ $-25 < T_a < 125\text{ }^\circ\text{C}$			0.028	%/ $V_{in}$
					0.064	
$I_d$	Quiescent Current	ON MODE		80	110	$\mu\text{A}$
		$I_o = 0\text{ mA}$			170	$\mu\text{A}$
		$I_o = 0\text{ mA}$ , $-25 < T_a < 125\text{ }^\circ\text{C}$		500	700	$\mu\text{A}$
		$I_o = 50\text{ mA}$ , $-25 < T_a < 125\text{ }^\circ\text{C}$			1300	$\mu\text{A}$
	OFF MODE (*)		0	1	$\mu\text{A}$	
	$V_{ihn} < 0.18\text{ V}$				$\mu\text{A}$	
	$V_{ihn} < 0.18\text{ V}$ , $-25 < T_a < 125\text{ }^\circ\text{C}$				$\mu\text{A}$	
SVR	Supply Voltage Rejection	$I_o = 50\text{ mA}$ , $f = 120\text{ Hz}$ , $C_{out} = 10\text{ }\mu\text{F}$		63		dB
$V_d$	Dropout Voltage	$I_o = 0\text{ mA}$		6	12	mV
		$I_o = 0\text{ mA}$ , $-25 < T_a < 125\text{ }^\circ\text{C}$			18	mV
		$I_o = 1\text{ mA}$		30	60	mV
		$I_o = 1\text{ mA}$ , $-25 < T_a < 125\text{ }^\circ\text{C}$			90	mV
		$I_o = 10\text{ mA}$		100	200	mV
		$I_o = 10\text{ mA}$ , $-25 < T_a < 125\text{ }^\circ\text{C}$			300	mV
		$I_o = 50\text{ mA}$		200	400	mV
		$I_o = 50\text{ mA}$ , $-25 < T_a < 125\text{ }^\circ\text{C}$			600	mV
$V_{il}$	Control Input Logic Low	$-25 < T_a < 125\text{ }^\circ\text{C}$ (*)			0.18	V
$V_{ih}$	Control Input Logic High	$-25 < T_a < 125\text{ }^\circ\text{C}$ (*)	2			V
$I_i$	Control Input Current	$V_{inhibit} = 0\text{ V}$ (*)		5	15	$\mu\text{A}$
		$V_{inhibit} = 5\text{ V}$ , $-25 < T_a < 125\text{ }^\circ\text{C}$ (*)		0	-1	$\mu\text{A}$
eN	Output Noise Voltage (RMS)	$BW = 300\text{ Hz to } 50\text{ KHz}$ , $C_{out} = 10\text{ }\mu\text{F}$		160		$\mu\text{V}$

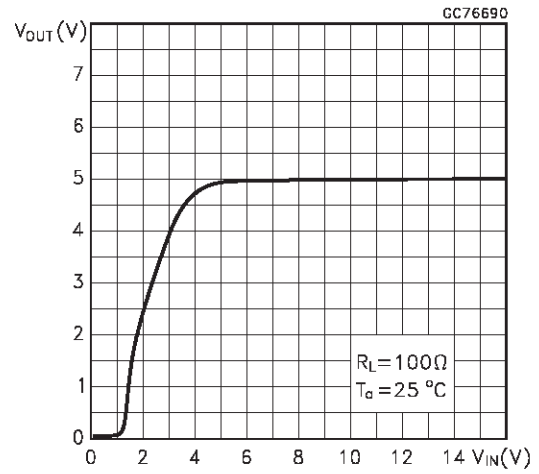
(\*) Note: Only for types in SOT23-5L

**TYPICAL PERFORMANCE CHARACTERISTICS** (unless otherwise specified  $T_a=25^\circ\text{C}$ )

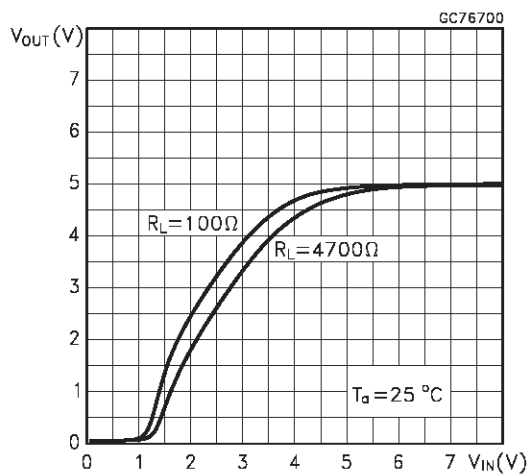
Output Voltage vs Temperature



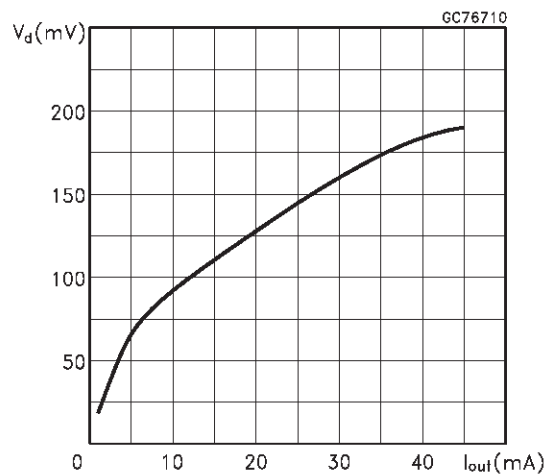
Output Voltage vs Input Voltage



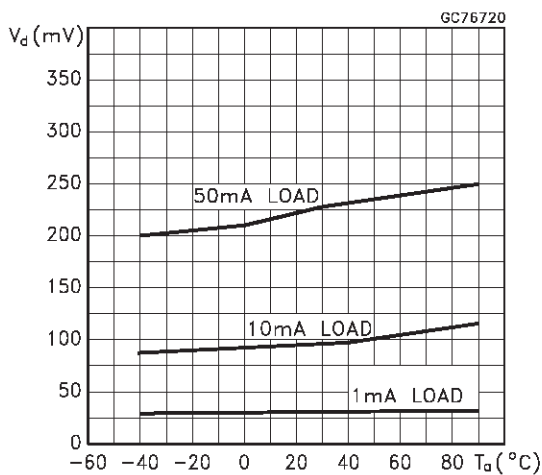
Output Voltage vs Input Voltage



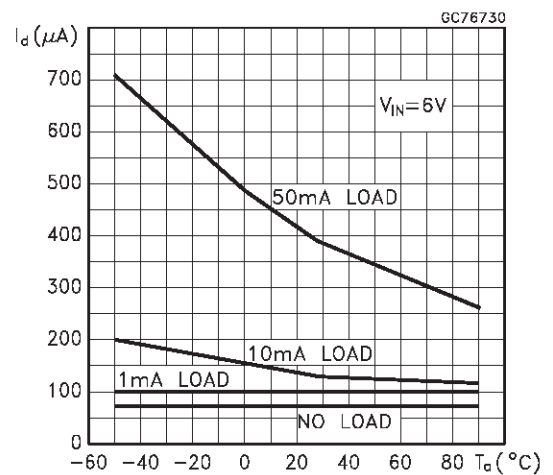
Dropout Voltage vs Output Current



Dropout Voltage vs Temperature

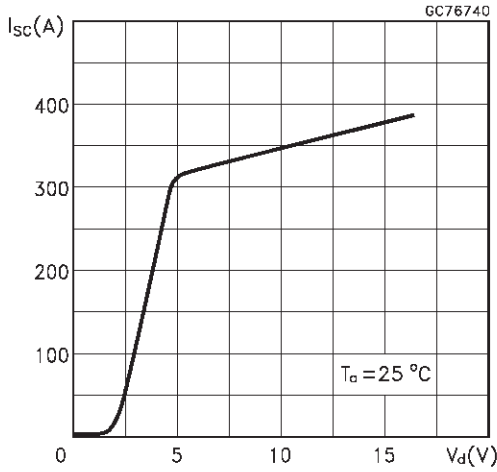


Quiescent Current vs Temperature

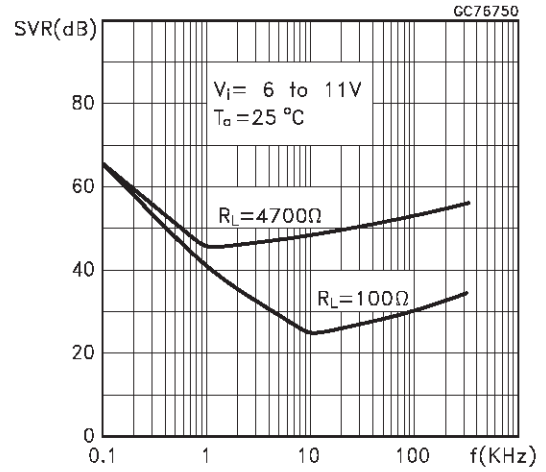


TYPICAL PERFORMANCE CHARACTERISTICS (continued)

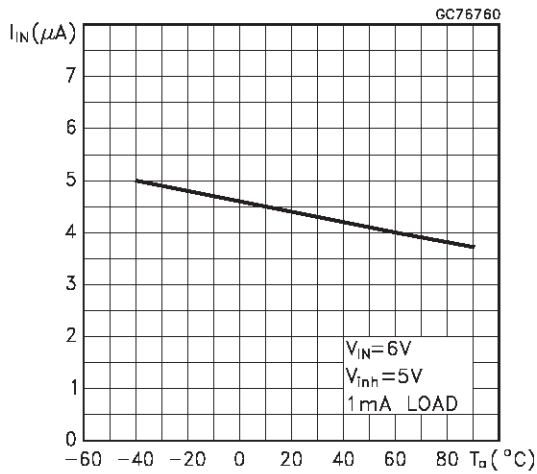
Short Circuit Current vs Dropout Voltage



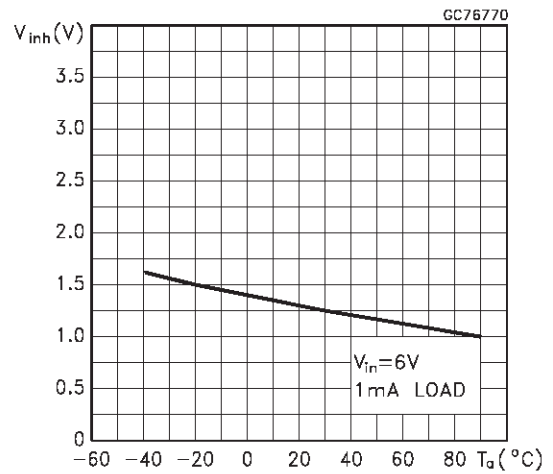
S.V.R. vs Frequency



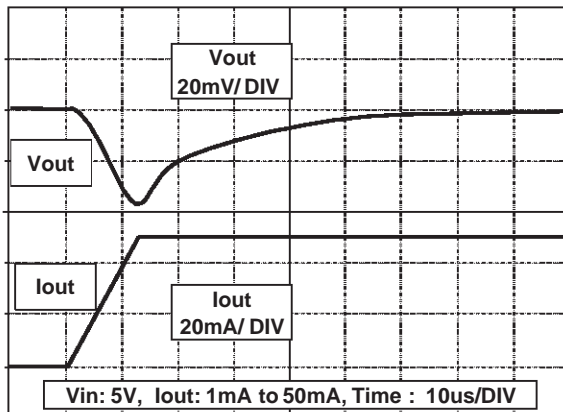
Inhibit Current vs Temperature



Inhibit Voltage vs Temperature

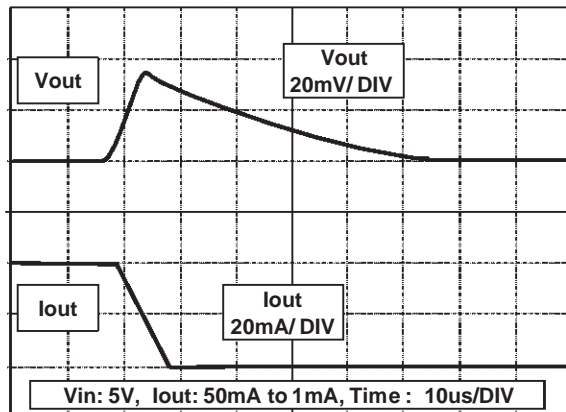


Load Transient Response



$C_o = 10\mu\text{F}$  (ESR= $1\Omega$  at 1KHz)

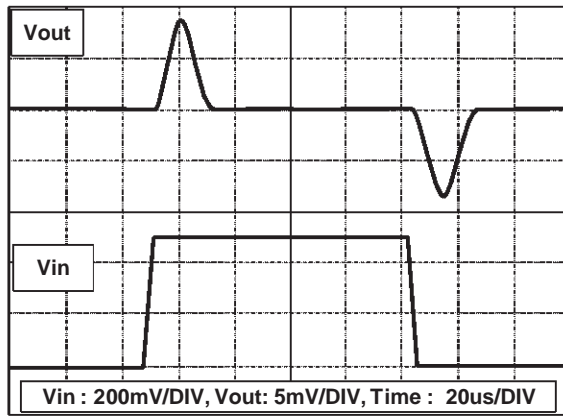
Load Transient Response



$C_o = 10\mu\text{F}$  (ESR= $1\Omega$  at 1KHz)

**TYPICAL PERFORMANCE CHARACTERISTICS** (continued)

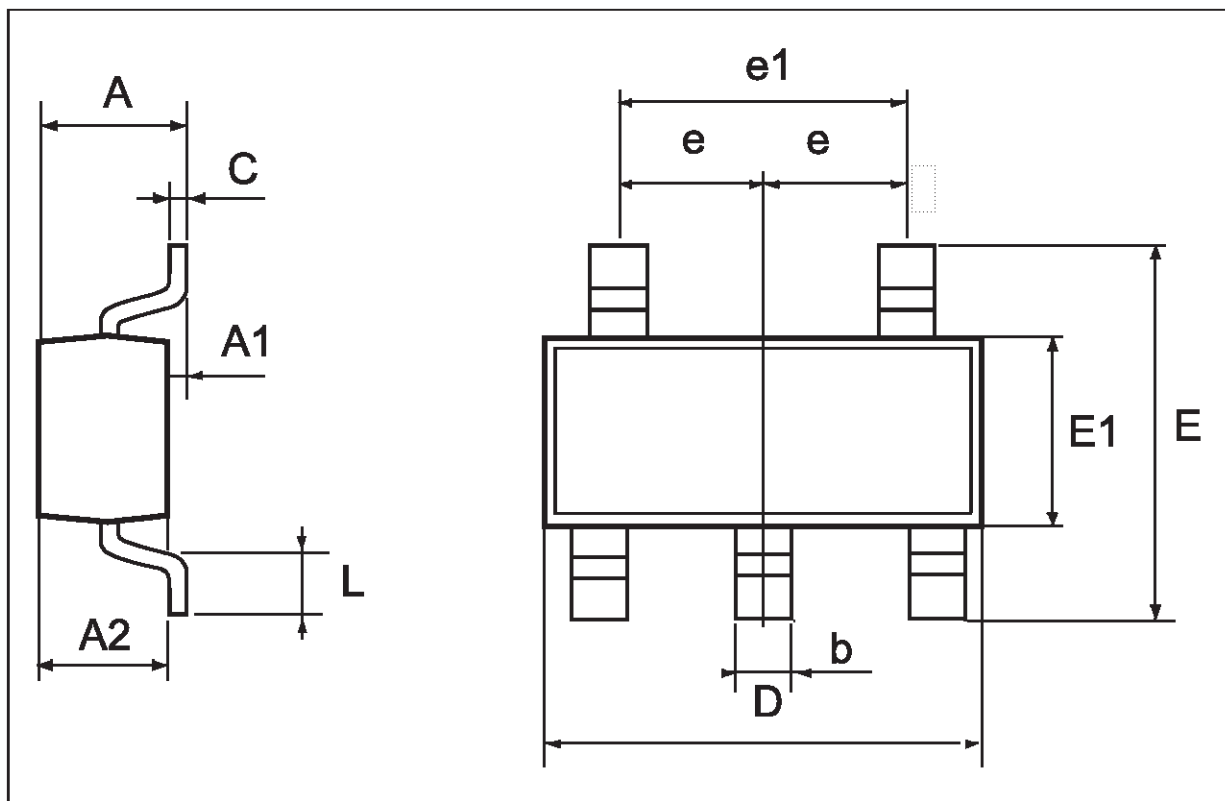
Line Transient Response



$V_{CC} = 4.75$  to  $5.25V$ ,  $I_{OUT} = 0.1A$ ,  $C_O = 10\mu F$  (ESR= $1\Omega$  at 1KHz)

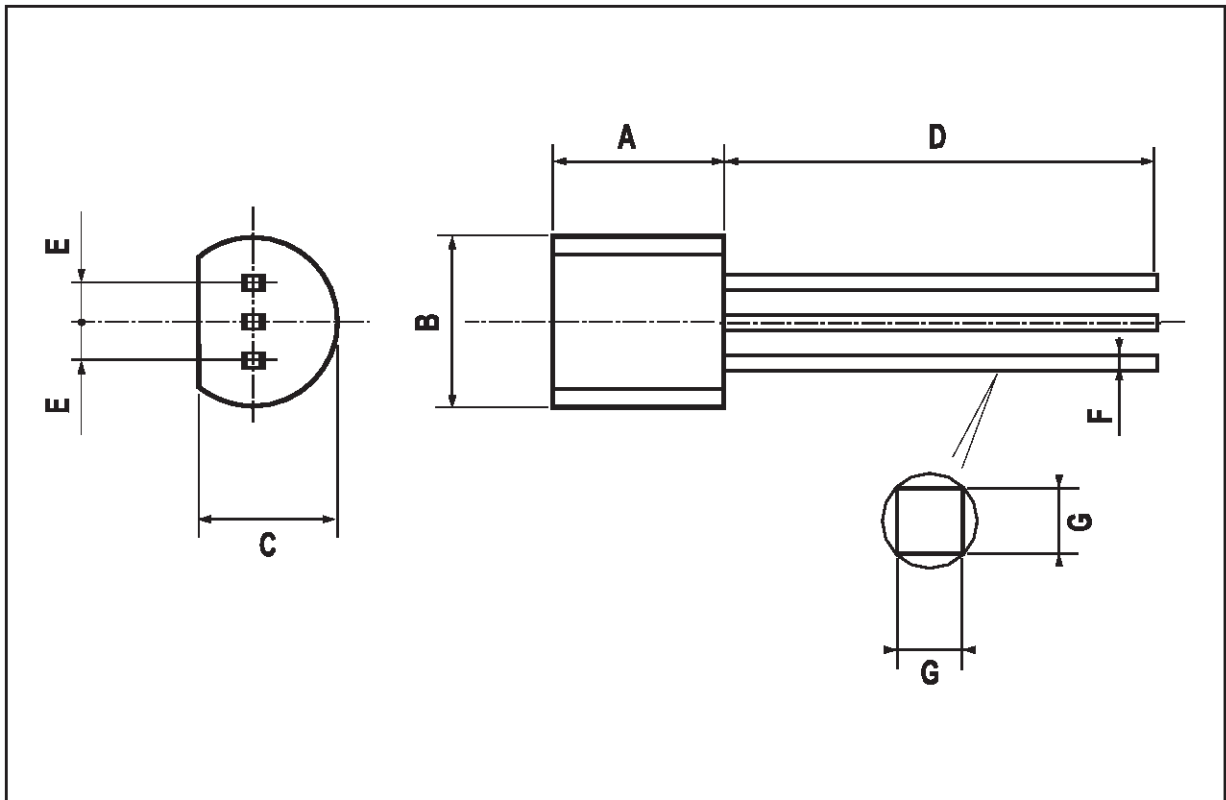
## SOT23-5L MECHANICAL DATA

DIM.	mm			mils		
	MIN.	TYP.	MAX.	MIN.	TYP.	MAX.
A	0.90		1.45	35.4		57.1
A1	0.00		0.15	0.0		5.9
A2	0.90		1.30	35.4		51.2
b	0.35		0.50	13.7		19.7
C	0.09		0.20	3.5		7.8
D	2.80		3.00	110.2		118.1
E	2.60		3.00	102.3		118.1
E1	1.50		1.75	59.0		68.8
L	0.35		0.55	13.7		21.6
e		0.95			37.4	
e1		1.9			74.8	



**TO-92 MECHANICAL DATA**

DIM.	mm			inch		
	MIN.	TYP.	MAX.	MIN.	TYP.	MAX.
A	4.58		5.33	0.180		0.210
B	4.45		5.2	0.175		0.204
C	3.2		4.2	0.126		0.165
D	12.7			0.500		
E		1.27			0.050	
F	0.4		0.51	0.016		0.020
G	0.35			0.14		





Information furnished is believed to be accurate and reliable. However, STMicroelectronics assumes no responsibility for the consequences of use of such information nor for any infringement of patents or other rights of third parties which may result from its use. No license is granted by implication or otherwise under any patent or patent rights of STMicroelectronics. Specification mentioned in this publication are subject to change without notice. This publication supersedes and replaces all information previously supplied. STMicroelectronics products are not authorized for use as critical components in life support devices or systems without express written approval of STMicroelectronics.

The ST logo is a trademark of STMicroelectronics

© 1998 STMicroelectronics – Printed in Italy – All Rights Reserved

STMicroelectronics GROUP OF COMPANIES

Australia - Brazil - Canada - China - France - Germany - Italy - Japan - Korea - Malaysia - Malta - Mexico - Morocco - The Netherlands - Singapore - Spain - Sweden - Switzerland - Taiwan - Thailand - United Kingdom - U.S.A.

