



LC5824, LC5823, LC5822

4-Bit Single-Chip Microcontrollers Featuring 4 KB to 8 KB of ROM, 1 Kbit of RAM, and an LCD Driver for Medium Speed Small-Scale Control Applications

Overview

The LC5822, LC5823, and LC5824 are CMOS microcontrollers that feature the low-voltage operation required for battery-power applications and that provide 4 KB, 6 KB, or 8 KB of ROM, 1 kilobit of RAM, and an LCD driver.

These microcontrollers support an instruction set based on that of the earlier LC5800, LC5812, and LC5814 for excellent efficiency in software development.

Applications

- LCD display in multi-function watches, timers, and other products
- Control and LCD display in timers
- Control and LCD display in miniature test equipment, health maintenance equipment, and other products
- These microcontrollers are optimal for products that include an LCD display, especially battery powered products.

Wide Allowable Operating Ranges

Power options supply	Cycle times	Supply voltage range	Notes
EXT-V	10 μ s	$V_{DD} = 2.3$ to 3.6 V	When an 800-kHz ceramic oscillator is used
EXT-V	20 μ s	$V_{DD} = 2.3$ to 3.6 V	When an 400-kHz ceramic oscillator is used
EXT-V	61 μ s	$V_{DD} = 2.3$ to 3.6 V	When an 65-kHz crystal oscillator is used
EXT-V	122 μ s	$V_{DD} = 2.0$ to 3.6 V	When an 32-kHz crystal oscillator is used
Li	122 μ s	$V_{DD} = 2.6$ to 3.6 V*	When an 32-kHz crystal oscillator is used
Ag	122 μ s	$V_{DD} = 1.3$ to 1.65 V	When an 32-kHz crystal oscillator is used

Note*: When the backup flag is set, the BAK pin is connected to V_{DD} .

Features

- These microcontrollers are high-end versions of the LC5800 and provide the following features.

Low Current Drain * In halt mode (typical)

- Ceramic oscillator 400 kHz (3.0 V) 200 μ A
- Crystal oscillator 32 kHz (1.5 V, Ag specifications) 3.0 μ A (LCD biases other than 1/3) 4.5 μ A (LCD drive: 1/3 bias)
- Crystal oscillator 32 kHz (3.0 V, Li specifications) 2.0 μ A (LCD biases other than 1/3) 6.0 μ A (LCD drive: 1/3 bias)

Timer and Counter Functions

- One 8-bit programmable timer (May be used as an event counter)
- One 8-bit programmable reload timer
- Time base timer (for clocks)
- Watchdog timer
- 8-bit serial I/O (3-pin synchronous system)

Standby Functions

- Clock standby function (halt mode)
Only the oscillator circuits, the divider circuit, and the LCD driver operate. All other internal operations are stopped. This provides a power-saving function in which current drain is minimized, and allows a clock function to be implemented easily with low power dissipation. Furthermore, low-speed and high-speed modes can be implemented by setting the operating modes of the two oscillator circuits.
- Full standby function (hold mode)
- Halt mode can be cleared by any of two external and two internal interrupts.

■ Any and all SANYO products described or contained herein do not have specifications that can handle applications that require extremely high levels of reliability, such as life-support systems, aircraft's control systems, or other applications whose failure can be reasonably expected to result in serious physical and/or material damage. Consult with your SANYO representative nearest you before using any SANYO products described or contained herein in such applications.

■ SANYO assumes no responsibility for equipment failures that result from using products at values that exceed, even momentarily, rated values (such as maximum ratings, operating condition ranges, or other parameters) listed in products specifications of any and all SANYO products described or contained herein.

SANYO Electric Co., Ltd. Semiconductor Business Headquarters

TOKYO OFFICE Tokyo Bldg., 1-10, 1 Chome, Ueno, Taito-ku, TOKYO, 110-8534 JAPAN

Improved I/O Functions

- External interrupt pins
- Input pins that can clear halt mode:
 - 10 pins (maximum)
- Input ports with input resistors that can be controlled from software: 8 pins (maximum)
- Pins with a function that prevents the input port floating state: 8 pins (maximum)
- LCD drive pins: 4 pins (common), 42 pins (segment outputs)
- General-purpose I/O ports:
 - 16 pins (when all 4 P port pins are used)
- General-purpose inputs: 8 pins
- General-purpose outputs (1): 1 pin (the ALM pin)
- General-purpose outputs (2): 42 pins (when all 42 of the LCD segment outputs are switched over to function as general-purpose outputs)
- 8-bit serial output port: 1 set (3 pins: output, input, and clock)

Functional Overview

- Program ROM:
 - 4096 × 16 bits LC5824
 - 3072 × 16 bits LC5823
 - 2048 × 16 bits LC5822
- Internal RAM: 256 × 4 bits
- All instructions execute in a single cycle.
- Extensive set of interrupt functions for clearing halt and hold mode
 - 8 halt mode clearing functions
 - 5 hold mode clearing functions
 - 6 interrupt functions
 - Subroutines can be nested up to 8 levels (Special-purpose registers that are shared with the interrupt function are built in.)
- Powerful hardware to increase system processing capacity
 - Segment port related hardware
 - Built-in segment PLA circuit
 - Built-in segment decoder
 - Support for six different LCD drive specifications
 - Outputs can be switched to CMOS levels
 - Built-in 8-bit synchronous serial I/O circuit
 - 8-bit read/write timer (plus a separate 8-bit prescaler; can be used as an event counter)
 - 8-bit reload timer (plus built-in 8-bit prescaler)
 - Built-in 8-bit prescaler (for use with timer 1, timer 2, and the serial counter)
 - All of RAM can be used as a working area (RAM bank system)
 - Dedicated data pointer register for RAM access
 - 15-stage divider circuit for clocks (also used as the LCD voltage alternation frequency generator)
 - 8-bit table reference function (reads 8-bit ROM data)
 - Chattering prevention circuit (on two ports)
 - Alarm signal generation circuit

- LCD panel drive output pins with high flexibility (42 pins)

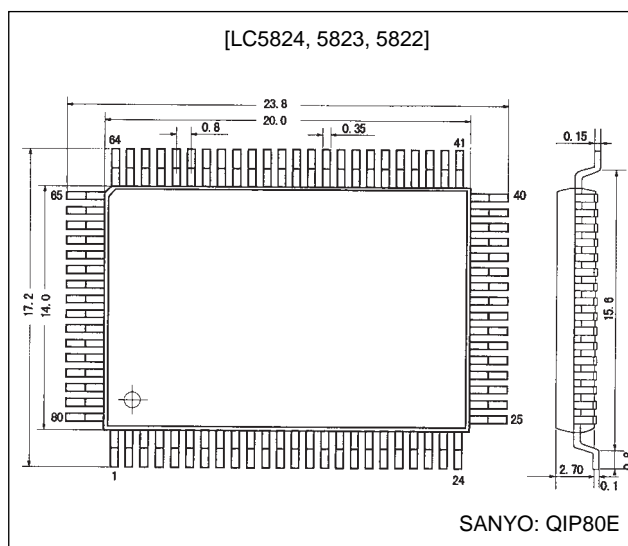
Drive system	Number of driven segments	Required number of common pins
bias · duty	168 segments	4 pins
bias · duty	126 segments	3 pins
bias · duty	168 segments	4 pins
bias · duty	126 segments	3 pins
bias · duty	84 segments	2 pins
Static drive	42 segments	1 pin

- The LCD output pins can be switched to function as general-purpose outputs.
 - CMOS/p-channel/n-channel type combinations: Up to 42 pins
 - An alternation frequency appropriate for the LCD panel used can be selected.
 - An oscillator appropriate for your system's specifications can be selected.
 - A 32- or 65-kHz crystal oscillator can be selected (Used when a clock function is required or for low current drain operation.)
 - A ceramic oscillator with a frequency from 400 kHz to 2 MHz can be selected (when high-speed operation is required.)
- Available delivery formats: QIP-80 and chip

Package Dimensions

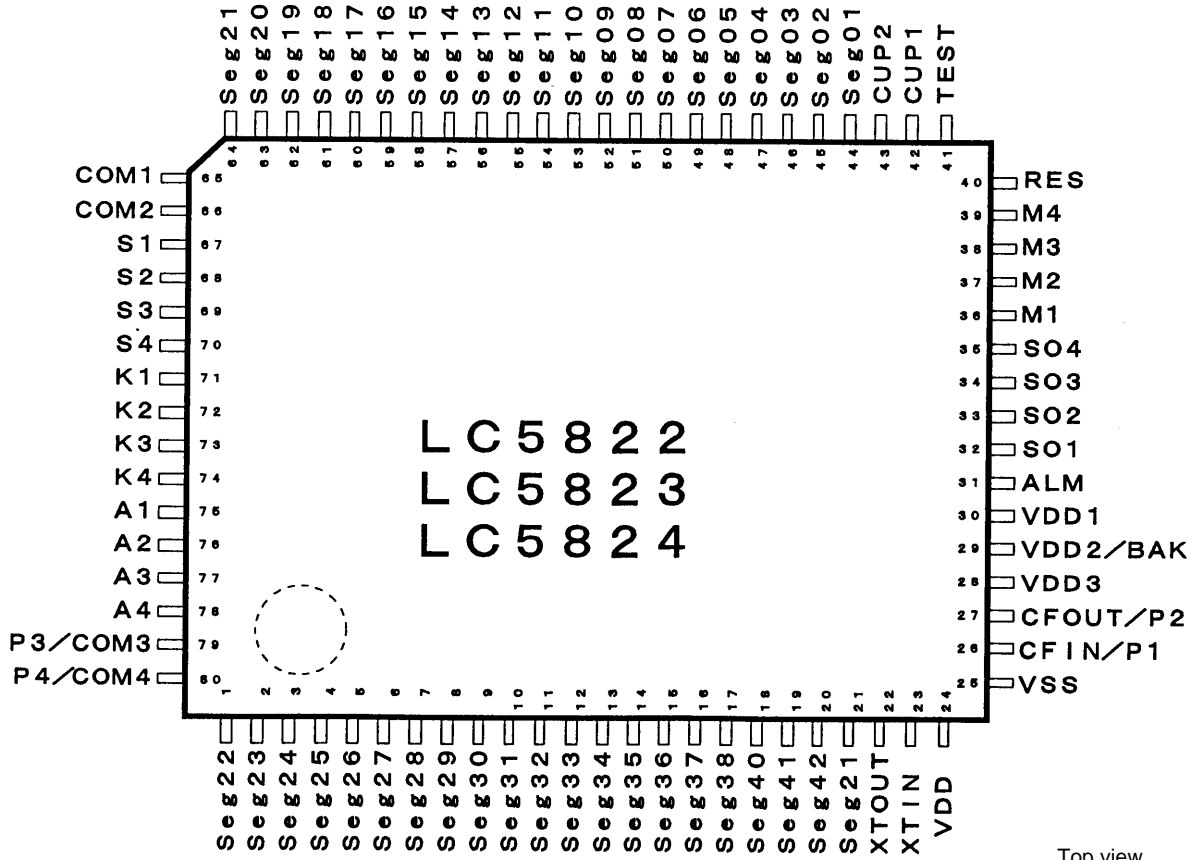
unit: mm

3174-QFP80E



LC5824, LC5823, LC5822

Pin Assignment

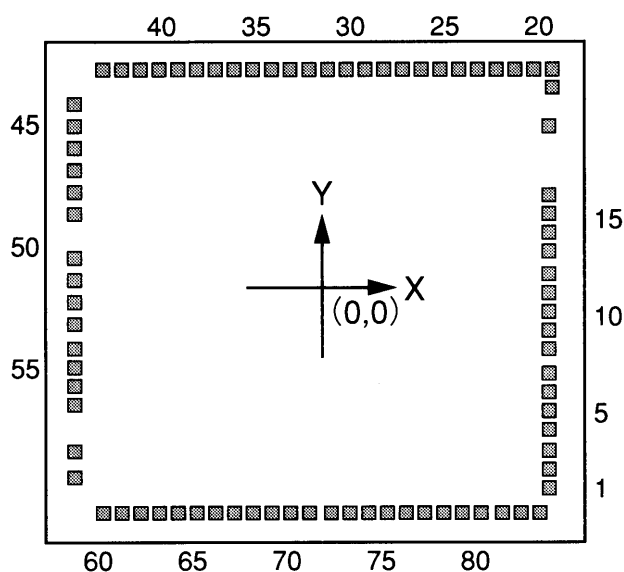


Top view

LC5824, LC5823, LC5822

Pad Arrangement

Chip size: 4.92 mm × 5.15 mm
 Pad size: 120 μm × 120 μm
 Chip thickness 480 μm (chip specifications)

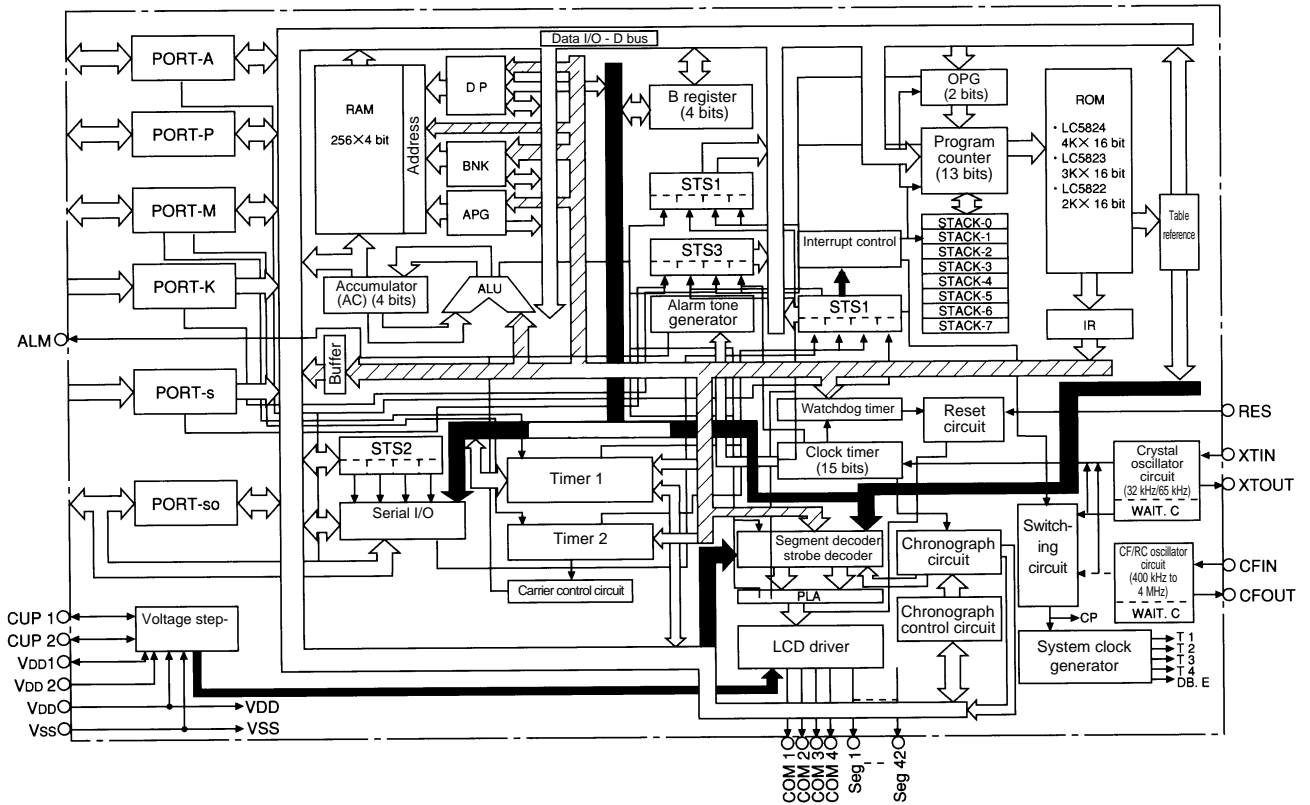


Pad Coordinates

PAD No.	Pin	Coordinates		PAD No.	Pin	Coordinates		PAD No.	Pin	Coordinates	
		X μm	Y μm			X μm	Y μm			X μm	Y μm
60	Seg 22	-2030	-2178	5	V _{DD3}	2257	-1212	33	Seg 11	-194	2178
61	Seg 23	-1850	-2178	6	V _{DD2} /BAK	2257	-1032	34	Seg 12	-374	2178
62	Seg 24	-1670	-2178	7	V _{DD1}	2257	-852	35	Seg 13	-546	2178
63	Seg 25	-1490	-2178	8	ALM	2257	-601	36	Seg 14	-726	2178
64	Seg 26	-1310	-2178	9	SO1	2257	-419	37	Seg 15	-906	2178
65	Seg 27	-1130	-2178	10	SO2 I/O port	2257	-236	38	Seg 16	-1086	2178
66	Seg 28	-950	-2178	11	SO3 I/O port	2257	56	39	Seg 17	-1266	2178
67	Seg 29	-770	-2178	12	SO4 I/O port	2257	132	40	Seg 18	-1446	2178
68	Seg 30	-590	-2178	13	M1	2257	364	41	Seg 19	-1626	2178
69	Seg 31	-410	-2178	14	M2 I/O port	2257	544	42	Seg 20	-1806	2178
70	Seg 32	-230	-2178	15	M3 I/O port	2257	724	43	Seg 21	-1986	2178
71	Seg 33	-50	-2178	16	M4 I/O port	2257	904	44	COM1	-2270	1871
72	Seg 34	122	-2178	17	RES I/O port	2257	1636	45	COM2	-2270	1628
73	Seg 35	302	-2178	18	Test	2330	1998	46	S1	-2270	1367
74	Seg 36	482	-2178	19	Test	2330	2178	47	S2 Input port	-2270	1140
75	Seg 37	662	-2178	20	TST	2150	2178	48	S3 Input port	-2270	960
76	Seg 38	842	-2178	21	CUP1	1970	2178	49	S4 Input port	-2270	734
77	Seg 39	1022	-2178	22	CUP2	1790	2178	50	K1	-2270	328
78	Seg 40	1202	-2178	23	Seg 1	1606	2178	51	K2 Input port	-2270	88
79	Seg 41	1382	-2178	24	Seg 2	1426	2178	52	K3 Input port	-2270	-140
80	Seg 42	1562	-2178	25	Seg 3	1246	2178	53	K4 Input port	-2270	-380
81	XC	1774	-2178	26	Seg 4	1066	2178	54	A1	-2270	-593
82	XTOUT	1954	-2178	27	Seg 5	886	2178	55	A2 I/O ports	-2270	-773
83	XTIN	2134	-2178	28	Seg 6	706	2178	56	A3 I/O ports	-2270	-953
1	V _{DD}	2257	-1959	29	Seg 7	526	2178	57	A4 I/O ports	-2270	-1133
2	V _{SS}	2257	-1779	30	Seg 8	346	2178	58	COM3/P3	-2270	-1602
3	CFIN/P1	2257	-1599	31	Seg 9	166	2178	59	COM4/P4	-2270	-1846
4	CFOUT/P2	2257	-1402	32	Seg 10	-14	2178				

- Note:
- The pin numbers are the QIP-80E mass-production package pin numbers.
 - The test pin (TST) must be connected to V_{SS}.
 - Pads number 42 and 43 in the chip version must be left open.
 - Do not use solder dip techniques to mount the QIP-80E package version.
 - In the chip version, the substrate must be either connected to V_{SS} or left open.

System Block Diagram



- | | |
|--------------------------------|--|
| RAM: Data memory | PC: Program counter |
| ROM: Program memory | IR: Instruction register |
| DP: Data pointer register | STS1: Status register 1 |
| BNK: Bank register | STS2: Status register 2 |
| APG: RAM page flag | STS3: Status register 3 |
| AC: Accumulator | STS4: Status register 4 |
| ALU: Arithmetic and logic unit | PLA: Programmed logic array used for segment data and strobe functions |
| B: B register | WAIT.C: Wait time counter |
| OPG: ROM page flag | |

LC5824, LC5823, LC5822

Pin Functions

Pin No.	Pin	I/O	Function	Options	Status at reset																																																																				
24 25	V _{DD} V _{SS}	— —	Power supply																																																																						
30 29 28	V _{DD1} V _{DD2} /BAK V _{DD3}	— — —	LCD drive power supply <table border="1" style="font-size: small;"> <thead> <tr> <th rowspan="2">Power supply specifications</th> <th colspan="3">Ag</th> <th colspan="2">Li</th> <th colspan="3">EXTV</th> </tr> <tr> <th>Pin</th> <th>bias</th> <th>NON&1/1&1/2</th> <th>1/3</th> <th>NON&1/1&1/2</th> <th>1/3</th> <th>NON&1/1&1/2</th> <th>1/2</th> <th>1/3</th> </tr> </thead> <tbody> <tr> <td>VDD</td> <td>○</td> <td>○</td> <td>○</td> <td>○</td> <td>○</td> <td>○</td> <td>○</td> <td>○</td> <td>○</td> </tr> <tr> <td>VDD3</td> <td>○</td> <td>○</td> <td>○</td> <td>○</td> <td>○</td> <td>○</td> <td>○</td> <td>○</td> <td>○</td> </tr> <tr> <td>VDD2/BAK</td> <td>○</td> <td>○</td> <td>○</td> <td>○</td> <td>○</td> <td>○</td> <td>○</td> <td>○</td> <td>○</td> </tr> <tr> <td>VDD1</td> <td>○</td> <td>○</td> <td>○</td> <td>○</td> <td>○</td> <td>○</td> <td>○</td> <td>○</td> <td>○</td> </tr> <tr> <td>VSS</td> <td>○</td> <td>○</td> <td>○</td> <td>○</td> <td>○</td> <td>○</td> <td>○</td> <td>○</td> <td>○</td> </tr> </tbody> </table>	Power supply specifications	Ag			Li		EXTV			Pin	bias	NON&1/1&1/2	1/3	NON&1/1&1/2	1/3	NON&1/1&1/2	1/2	1/3	VDD	○	○	○	○	○	○	○	○	○	VDD3	○	○	○	○	○	○	○	○	○	VDD2/BAK	○	○	○	○	○	○	○	○	○	VDD1	○	○	○	○	○	○	○	○	○	VSS	○	○	○	○	○	○	○	○	○	<ul style="list-style-type: none"> • Ag specifications • Li specifications • EXT-V specifications 	
Power supply specifications	Ag				Li		EXTV																																																																		
	Pin	bias	NON&1/1&1/2	1/3	NON&1/1&1/2	1/3	NON&1/1&1/2	1/2	1/3																																																																
VDD	○	○	○	○	○	○	○	○	○																																																																
VDD3	○	○	○	○	○	○	○	○	○																																																																
VDD2/BAK	○	○	○	○	○	○	○	○	○																																																																
VDD1	○	○	○	○	○	○	○	○	○																																																																
VSS	○	○	○	○	○	○	○	○	○																																																																
42 43	CUP1 CUP2	— —	Connections of the LCD power supply step-up (step-down) capacitors																																																																						
26 27	CFIN CFOUT	Input Output	System clock oscillator connections <ul style="list-style-type: none"> • Ceramic element connections (CF specifications) • RC component connections (RC specifications) *: This oscillator circuit is stopped when a STOP or SLOW instruction is executed.	<ul style="list-style-type: none"> • CF specifications • RC specifications • Unused 																																																																					
23 22	XTIN XTOUT	Input Output	Used for reference counting (clock specifications, LCD alternation frequency) and as the system clock. <ul style="list-style-type: none"> • 32-kHz crystal oscillator • 65-kHz crystal oscillator *: This oscillator circuit is stopped when a STOP instruction is executed.	<ul style="list-style-type: none"> • 32-kHz specifications • 65-kHz specifications • 38-kHz specifications • Unused 																																																																					
—	XC	—	Used for the phase compensation capacitor connected between this pin and XTOUT and XTIN. This pin is only used in the chip product.																																																																						
67 68 69 70	S1 S2 S3 S4	Input	Input-only port <ul style="list-style-type: none"> • Input pins used to acquire input data to RAM • 1.95-ms and 7.8-ms chattering exclusion circuits included. • Pull-down resistors are built in. Note: the 1.95 ms and 7.8 ms values are for a $\emptyset 0$ of 32.768 kHz.	<ul style="list-style-type: none"> • Presence or absence of low-level hold transistors 	<ul style="list-style-type: none"> • Pull-down resistors enabled Note: After a reset is cleared, these pins go to the floating state.																																																																				
71 72 73 74	K1 K2 K3 K4	Input	Input-only port <ul style="list-style-type: none"> • Input pins used to acquire input data to RAM • 1.95-ms and 7.8-ms chattering exclusion circuits included. • Pull-down resistors are built in. Note: the 1.95 ms and 7.8 ms values are for a $\emptyset 0$ of 32.768 kHz.	<ul style="list-style-type: none"> • Presence or absence of low-level hold transistors 	<ul style="list-style-type: none"> • Pull-down resistors enabled Note: After a reset is cleared, these pins go to the floating state.																																																																				
36 37 38 39	M1 M2 M3 M4	I/O	I/O port <ul style="list-style-type: none"> • Input pins used to acquire input data to RAM. • Output pins used to output RAM data. • M4 is also used as the TM1 external clock input in TM1 mode 3. • M3 is also used for HEF8 halt mode clear control. *: The minimum period for clock signal inputs is twice the cycle time <ul style="list-style-type: none"> • Pull-down resistors are built in. 	<ul style="list-style-type: none"> • Presence or absence of low-level hold transistors • Output type: CMOS or p-channel 	<ul style="list-style-type: none"> • Pull-down resistors enabled Note: After a reset is cleared, these pins go to the floating state. <ul style="list-style-type: none"> • Input mode • The output latch data is set to 1. 																																																																				
26 27 79 80	P1 P2 P3 P4	I/O	I/O port <ul style="list-style-type: none"> • Input pins used to acquire input data to RAM. • Output pins used to output RAM data. • Pull-down resistors are built in. 	The same as those for M1 to M4. However, only for valid ports.	The same as those for M1 to M4. However, only for valid ports.																																																																				
76 77 78 79	A1 A2 A3 A4	I/O	I/O port <ul style="list-style-type: none"> • Input pins used to acquire input data to RAM. • Output pins used to output RAM data. • Pull-down resistors are built in. • A1 is also used as the external interrupt request control input signal (INT). 	The same as those for M1 to M4.	The same as those for M1 to M4.																																																																				

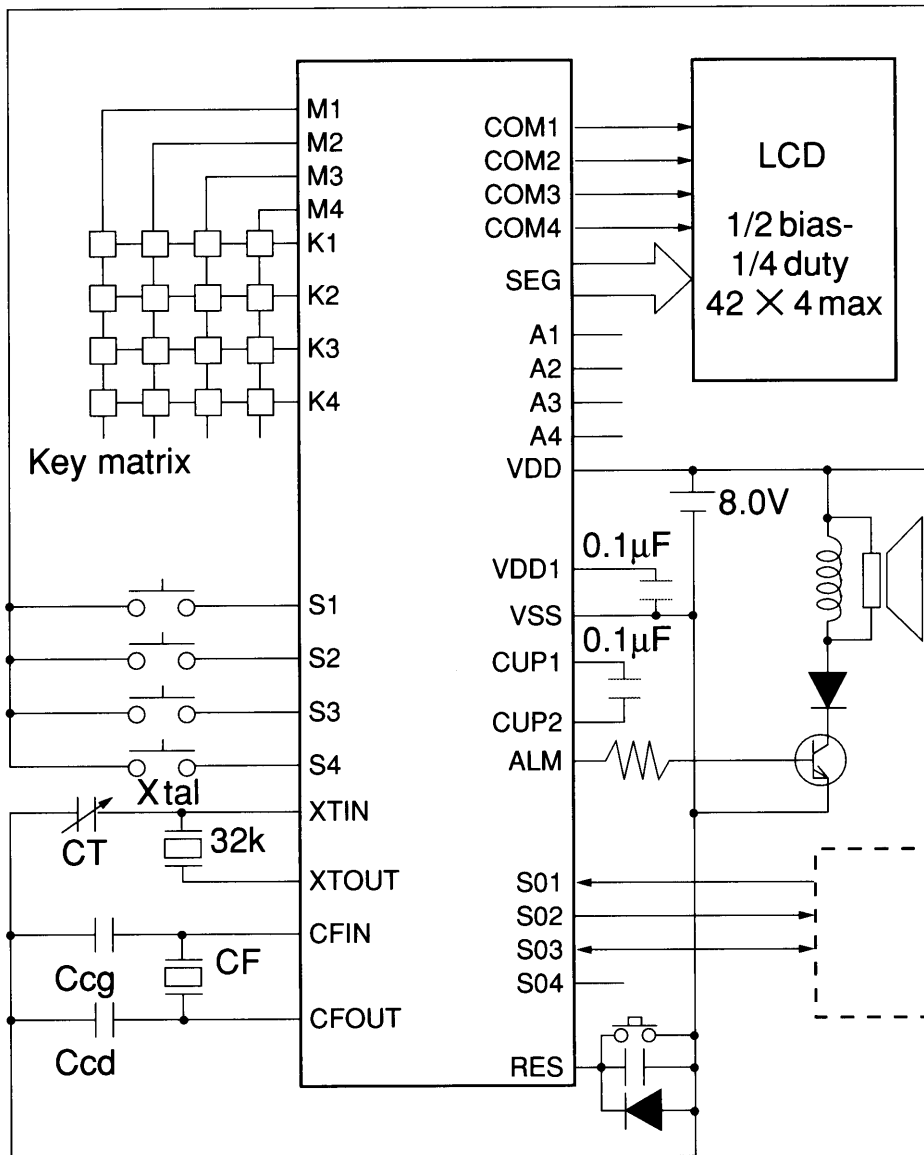
Continued on next page.

LC5824, LC5823, LC5822

Continued from preceding page.

Pin No.	Pin	I/O	Function	Options	Status at reset																														
32 33 34 35	SO1 SO2 SO3 SO4	I/O	<p>I/O port</p> <ul style="list-style-type: none"> Input pins used to acquire input data to RAM. Output pins used to output RAM data. Pull-down resistors are built in. <p>SO1 to SO3 are also used as the serial interface pins.</p> <ul style="list-style-type: none"> The serial interface function can be selected under program control. Pin functions: SO1: Serial input SO2: Serial output SO3: Serial clock <p>The serial clock can be taken from either internal or external sources, and can be set up to detect either rising or falling edges under program control.</p>	Identical to M1 through M4	Identical to M1 through M4																														
31	ALM	Output	<p>Output-only pin</p> <ul style="list-style-type: none"> A signal modulated by $\varnothing 0$, $\varnothing 3$, or $\varnothing 4$ can be output under program control. 		Low-level output																														
40	RES	Input	<p>IC internal reset input</p> <ul style="list-style-type: none"> The program counter is set to point to location 00H. The reset input level can be set to be either high or low. Either a pull-up or a pull-down resistor is built in. <p>Note: Applications must apply the reset signal level for at least 500 μs to effect a reset.</p>	<ul style="list-style-type: none"> Selection of a pull-up or pull-down resistor Selection of active-low or active-high reset logic 																															
44 64 1 21	Seg 22 Seg 21 Seg 22 Seg 42	Output	<p>LCD panel drive outputs/general-purpose outputs</p> <ul style="list-style-type: none"> LCD panel drive <ul style="list-style-type: none"> (1) Static (2) 1/2 bias 1/2 duty (3) 1/2 bias 1/3 duty (4) 1/2 bias 1/4 duty (5) 1/3 bias 1/3 duty (6) 1/3 bias 1/4 duty One of items (1) through (5) is selected as a mask option. General-purpose output ports <ul style="list-style-type: none"> (1) CMOS output (2) p-channel open-drain output (3) n-channel open-drain output One of items (1) through (3) is selected as a mask option. The adoption of the segment PLA in these microcontrollers means that there is no need for programs to control the LCD/general-purpose output states of these pins. Output latch control is supported in the oscillator stopped standby states and during a reset. Any combination of LCD and general-purpose output functions may be used. 	<ul style="list-style-type: none"> Switching between LCD drive output and general-purpose output Switching between the LCD drive type options <ul style="list-style-type: none"> —Static —1/2 bias 1/2 duty —1/2 bias 1/3 duty —1/2 bias 1/4 duty —1/3 bias 1/3 duty —1/3 bias 1/4 duty General-purpose output type switching <ul style="list-style-type: none"> —CMOS —p-channel open-drain —n-channel open-drain Standby mode output latch control 	<ul style="list-style-type: none"> When used for LCD drive: <ul style="list-style-type: none"> —All lit —All off * Determined by the master options When used as general-purpose outputs: <ul style="list-style-type: none"> —High level —Low level * Determined by the master options <p>Note: When a combination of LCD drive and general-purpose outputs is selected, these pins will be either: All lit/high-level output, or All off/low-level output.</p> <ul style="list-style-type: none"> During the reset period, the LCD drive functions as static drive. 																														
65 66 79 80	COM1 COM2 COM3 COM4	Output	<p>Common drive outputs for the LCD panel</p> <p>The table below lists which pins are used in each of the drive types.</p> <p>However, note that the listed alternation frequencies are the typical specifications when $\varnothing 0$ is 32.768 kHz.</p> <table border="1" style="margin-left: auto; margin-right: auto;"> <thead> <tr> <th></th> <th>Static</th> <th>1/2 duty</th> <th>1/3 duty</th> <th>1/4/duty</th> </tr> </thead> <tbody> <tr> <td>COM1</td> <td style="text-align: center;">○</td> <td style="text-align: center;">○</td> <td style="text-align: center;">○</td> <td style="text-align: center;">○</td> </tr> <tr> <td>COM2</td> <td style="text-align: center;">×</td> <td style="text-align: center;">○</td> <td style="text-align: center;">○</td> <td style="text-align: center;">○</td> </tr> <tr> <td>COM3</td> <td style="text-align: center;">×</td> <td style="text-align: center;">×</td> <td style="text-align: center;">○</td> <td style="text-align: center;">○</td> </tr> <tr> <td>COM4</td> <td style="text-align: center;">×</td> <td style="text-align: center;">×</td> <td style="text-align: center;">×</td> <td style="text-align: center;">○</td> </tr> <tr> <td>Alternation frequency</td> <td style="text-align: center;">32 Hz</td> <td style="text-align: center;">32 Hz</td> <td style="text-align: center;">42.7 Hz</td> <td style="text-align: center;">64 Hz</td> </tr> </tbody> </table> <p>Note: Note that the "X" symbol indicates that the corresponding common pin cannot be used in that drive type.</p>		Static	1/2 duty	1/3 duty	1/4/duty	COM1	○	○	○	○	COM2	×	○	○	○	COM3	×	×	○	○	COM4	×	×	×	○	Alternation frequency	32 Hz	32 Hz	42.7 Hz	64 Hz		<ul style="list-style-type: none"> * In products with the CF specifications, the alternation frequency signal stops briefly.
	Static	1/2 duty	1/3 duty	1/4/duty																															
COM1	○	○	○	○																															
COM2	×	○	○	○																															
COM3	×	×	○	○																															
COM4	×	×	×	○																															
Alternation frequency	32 Hz	32 Hz	42.7 Hz	64 Hz																															
41	TST	Input	<p>Test input</p> <ul style="list-style-type: none"> In the QIP-80 version, this pin must be connected to V_{SS}. In the chip version, this pin must be left open or connected to V_{SS}. 																																
— —	TEST TEST	— —	<p>Test pins.</p> <p>(These are not used in the device user interface.)</p>																																

Sample Application Circuit
 LCD : 1/2 bias — 1/4 duty



Oscillator Circuit Options

Option	Circuit type	Notes
<p>RC & Xtal</p>		<ul style="list-style-type: none"> • The cycle time is 4 times the f_1 period. • The divider circuit outputs ($\phi 1$ through $\phi 15$) are used as the clock time base, the LCD drive waveform generation clock, and for S/K port chattering prevention. • OSC1 is stopped by the execution of a SLOW instruction.
<p>CF & Xtal</p> <ul style="list-style-type: none"> • 400 kHz (CF) • 4 MHz (CF) 		<ul style="list-style-type: none"> • The cycle time is 4 times n times the f_1 period. ($n:1$) • The divider circuit outputs ($\phi 1$ through $\phi 15$) are used as the clock time base, the LCD drive waveform generation clock, and for S/K port chattering prevention. • OSC1 is stopped by the execution of a SLOW instruction.
<p>RC</p>		<ul style="list-style-type: none"> • The cycle time is 4 times the f_1 period. • The divider circuit outputs ($\phi 1$ through $\phi 15$) are used as the clock time base, the LCD drive waveform generation clock, and for S/K port chattering prevention.

Continued on next page.

LC5824, LC5823, LC5822

Continued from preceding page.

Option	Circuit type	Notes
<p>CF</p> <ul style="list-style-type: none"> • 400 kHz • 4 MHz 		<ul style="list-style-type: none"> • The cycle time is 4 times n times the f1 period. (n:1) • The divider circuit outputs (ø1 through ø15) are used as the clock time base, the LCD drive frequency generation clock, and for S/K port chattering prevention.
<p>Xtal</p> <ul style="list-style-type: none"> • 32 kHz • 55 kHz 		<ul style="list-style-type: none"> • The cycle time is 4 times the f2 period. • The divider circuit outputs (ø1 through ø15) are used as the clock time base, the LCD drive waveform generation clock, and for S/K port chattering prevention. <p>Note that the CFIN and CFOUT pins are switched over to function as the P1 and P2 pins.</p>

Crystal Oscillator Circuit Options

Option	Circuit type	Notes
Used at 32 kHz		The resistor RD is built into the IC when this circuit is used at 32 kHz.
Used at 38 kHz Used at 65 kHz		<ul style="list-style-type: none"> The cycle time is 4 times n times the f1 period. (n:2) The divider circuit outputs (ø1 through ø15) are used as the clock time base, the LCD drive frequency generation clock, and for S/K port chattering prevention. OSC1 is stopped by the execution of a SLOW instruction.

Input Port Options

Option	Circuit type	Notes
Low level hold transistor selection		<p>When use of the hold transistor is selected, it is used to minimize the current drain that flows in the pull-down resistor when a push-button switch is used with S1 or a slide switch is used with S2.</p> <ul style="list-style-type: none"> When the input open specifications are selected, before reading the input, the pull-down transistor is turned on. Then the input state is read and the pull-down transistor is turned off. If the input was in the floating state, the low level hold transistor operates to hold the level. <p>If use of the hold transistor is not selected:</p> <ul style="list-style-type: none"> The circuit is used with the pull-down transistor turned on. Select unused if the external control signal line connected to this input will never be in the floating state.

RES Pin

Option	Circuit type	Notes
Pull-up resistor, pull-down resistor, resistors left open, and level selections		<p>Internal resistor and polarity selections</p> <ul style="list-style-type: none"> Reset on low, pull-up resistor included Reset on high, pull-down resistor included Reset on low, no resistors connected Reset on high, no resistors connected

Mask Option List

Voltage specifications

- Ag specifications
- Li specifications
- EXT-V specifications

LCD driver

- Static
- 1/2 bias — 1/2 duty
 - 1/2 bias — 1/3 duty
 - 1/2 bias — 1/4 duty
 - 1/3 bias — 1/3 duty
 - 1/3 bias — 1/4 duty
- Unused

Segment port states during a reset

LCD driver pins

- All lit
- All off

CMOS p/n-channel pins

- High level
- Low level

Oscillator specifications

- CF only (ceramic oscillator element)
- RC only (using a resistor and a capacitor)
- Crystal only
- CF + crystal
- RC + crystal

CF

- 400 kHz
- 800 kHz
- 1 MHz
- 2 MHz
- 4 MHz

RC

- 400 kHz
- 800 kHz
- 1 MHz

Crystal

- 32 kHz
- 65 kHz
- 38 kHz

LCD alternation frequency

- SLOW
- TYP
- FAST

External reset circuit

- RES pin
- RES pin + S1 to S4 pressed at the same time

Internal reset circuit (power on reset)

- Selected
- Disabled

RES pin

- Reset on low, pull-up resistor included
- Reset on high, pull-down resistor included
- Reset on low, no resistors connected
- Reset on high, no resistors connected

Alarm output initial level

- Low level
- High level

Chronometer and strobe selection

- 00H
- 10H
- 00H & 10H
- Unused

Port S low level hold transistors

- Low level hold transistors present
- Low level hold transistors disabled

Port K low level hold transistors

- Low level hold transistors present
- Low level hold transistors disabled

Port M low level hold transistors

- Low level hold transistors present
- Low level hold transistors disabled

Port P low level hold transistors

- Low level hold transistors present
- Low level hold transistors disabled

Port SO low level hold transistors

- Low level hold transistors present
- Low level hold transistors disabled

Port A low level hold transistors

- Low level hold transistors present
- Low level hold transistors disabled

M1 to M4 outputs

- CMOS
- p-channel
- n-channel

P1 to P4 outputs

- CMOS
- p-channel
- n-channel

A1 to A4 outputs

- CMOS
- p-channel
- n-channel

LC5824, LC5823, LC5822

These electrical characteristics are provisional and the values are subject to change.

Ag Specifications

Absolute Maximum Ratings at $T_a = 25^\circ\text{C} \pm 2^\circ\text{C}$, $V_{SS} = 0\text{ V}$

Parameter	Symbol	Conditions and applicable pins	Ratings			Unit
			min	typ	max	
Maximum supply voltage	V_{DD}		-0.3		+4.0	V
	V_{DD1}		-0.3		+4.0	V
	V_{DD2}		-0.3		+5.5	V
	V_{DD3}	For 1/3-bias LCD drive techniques	-0.3		+4.0	V
	V_{DD3}	For LCD drive techniques other than 1/3 bias	-0.3		+4.0	V
Maximum input voltage	V_{IN1}	S1 to S4, K1 to K4, M1 to M4, A1 to A4, SO1 to SO4, RES, TST	-0.3		$V_{DD} + 0.3$	V
Maximum output voltage	V_{OUT1}	M1 to M4, A1 to A4, SO1 to SO4, ALM, CUP2 (With M1 to M4, A1 to A4, and SO1 to SO4 in input mode)	-0.3		+0.3	V
	V_{OUT2}	SEGOUT, COM1 to COM4, CUP1	-0.3		$V_{DD3} + 0.3$	V
Operating temperature	Topg		-20		+65	$^\circ\text{C}$
Storage temperature	Tstg		-30		+125	$^\circ\text{C}$

Allowable Operating Ranges at $T_a = 25^\circ\text{C} \pm 2^\circ\text{C}$, $V_{SS} = 0\text{ V}$

Parameter	Symbol	Conditions and applicable pins	Ratings			Unit
			min	typ	max	
Supply voltage	V_{DD} V_{DD1}	$V_{BAK} = V_{DD1}$	1.3		1.65	V
	V_{DD2}		2.4		3.3	V
	V_{DD3}	For 1/3-bias LCD drive techniques	3.7		4.95	V
	V_{DD3}	For LCD drive techniques other than 1/3 bias	2.4		3.3	V
High-level input voltage	V_{IH}	S1 to S4, K1 to K4, M1 to M4, A1 to A4, SO1 to SO4, (With M1 to M4, A1 to A4, and SO1 to SO4 in input mode) RES	$V_{DD} - 0.2$		V_{DD}	V
Low-level input voltage	V_{IL}	S1 to S4, K1 to K4, M1 to M4, A1 to A4, SO1 to SO4, (With M1 to M4, A1 to A4, and SO1 to SO4 in input mode) RES	0		0.2	V
Operating frequency	fopg	$T_a = -20$ to $+65^\circ\text{C}$	32		33	kHz

Electrical Characteristics at $T_a = 25^\circ\text{C} \pm 2^\circ\text{C}$, $V_{SS} = 0\text{ V}$, $V_{DD} = V_{DD1}$

Parameter	Symbol	Conditions and applicable pins	Ratings			Unit
			min	typ	max	
Input resistance	R_{IN1A}	$V_{DD} = 1.5\text{ V}$, Low level hold transistor $V_{IN} = 0.35 V_{DD}$ *1 Figure 1	50		500	$\text{k}\Omega$
	R_{IN1B}	$V_{DD} = 1.5\text{ V}$, Programmable pull-down resistor $V_{IN} = 0.7 V_{DD}$ *1 Figure 1	50		1000	$\text{k}\Omega$
	R_{IN2A}	$V_{DD} = 1.5\text{ V}$, Low level hold transistor $V_{IN} = 0.35 V_{DD}$, Input mode *2, Figure 1	50		500	$\text{k}\Omega$
	R_{IN2B}	$V_{DD} = 1.5\text{ V}$, Programmable pull-down resistor $V_{IN} = 0.7 V_{DD}$, Input mode *2, Figure 1	50		1000	$\text{k}\Omega$
	R_{IN3}	$V_{DD} = 1.5\text{ V}$, The RES pin pull-up/pull-down resistor $V_{IN} = 0.7 V_{DD}/0.3 V_{DD}$	10		300	$\text{k}\Omega$
High-level output voltage	V_{OH1}	$V_{DD} = 1.3\text{ V}$, $I_{OH} = -250\ \mu\text{A}$, ALM	$V_{DD} - 0.65$			V
Low-level output voltage	V_{OL1}	$V_{DD} = 1.3\text{ V}$, $I_{OL} = 250\ \mu\text{A}$, ALM			0.65	V
High-level output voltage	V_{OH2}	$V_{DD} = 1.5\text{ V}$, M1 to 4, A1 to 4, SO1 to 4 $I_{OH} = -20\ \mu\text{A}$, (With M1 to M4, A1 to A4, and SO1 to SO4 in output mode)	$V_{DD} - 0.2$			V
Low-level output voltage	V_{OL2}	$V_{DD} = 1.5\text{ V}$, M1 to 4, A1 to 4, SO1 to 4 $I_{OL} = 20\ \mu\text{A}$, (With M1 to M4, A1 to A4, and SO1 to SO4 in output mode)			0.2	V

Continued on next page.

LC5824, LC5823, LC5822

Continued from preceding page.

Parameter	Symbol	Conditions and applicable pins	Ratings			Unit
			min	typ	max	
Segment driver output impedance						
[When Set Up as CMOS Output Ports]						
High-level output voltage	V _{OH3}	V _{DD} = 1.5 V, I _{OH} = -3 μA, Segment 1 to 42	V _{DD} - 1.0			V
Low-level output voltage	V _{OL3}	V _{DD} = 1.5 V, I _{OL} = 3 μA, Segment 1 to 42			1.0	V
[When Set Up as P-Channel Open-Drain Output Ports]						
High-level output voltage	V _{OH3}	V _{DD} = 1.5 V, I _{OH} = -3 μA, Segment 1 to 42		0.3	1.0	V
Output off leakage current	I _{OFF}	V _{DD} = 1.5 V, V _{OL} = V _{SS} , Segment 1 to 42			1.0	μA
[Static Drive]						
High-level output voltage	V _{OH3}	V _{DD} = 1.5 V, I _{OH} = -0.4 μA, SEGOUT	V _{DD2} - 0.2			V
Low-level output voltage	V _{OL3}	V _{DD} = 1.5 V, I _{OL} = 0.4 μA, SEGOUT			0.2	V
High-level output voltage	V _{OH4}	V _{DD} = 1.5 V, I _{OH} = -4 μA, COM1	V _{DD2} - 0.2			V
Low-level output voltage	V _{OL4}	V _{DD} = 1.5 V, I _{OL} = 4 μA, COM1			0.2	V
[Duplex Drive (1/2 bias - 1/2 duty)]						
High-level output voltage	V _{OH3}	V _{DD} = 1.5 V, I _{OH} = -0.4 μA, SEGOUT	V _{DD2} - 0.2			V
Low-level output voltage	V _{OL3}	V _{DD} = 1.5 V, I _{OL} = 0.4 μA, SEGOUT			0.2	V
High-level output voltage	V _{OH4}	V _{DD} = 1.5 V, I _{OH} = -4 μA, COM1 to COM2	V _{DD2} - 0.2			V
Middle-level output voltage	V _{OM}	V _{DD} = 1.5 V, I _{OH} = -4 μA, I _{OL} = 4 μA, COM1 to COM2	V _{DD1} - 0.2		V _{DD1} + 0.2	V
Low-level output voltage	V _{OL4}	V _{DD} = 1.5 V, I _{OL} = 4 μA, COM1 to COM2			0.2	V
[1/2 Bias - 1/3 Duty and 1/2 Bias - 1/4 Duty Drive]						
High-level output voltage	V _{OH3}	V _{DD} = 1.5 V, I _{OH} = -0.4 μA, SEGOUT	V _{DD2} - 0.2			V
Low-level output voltage	V _{OL3}	V _{DD} = 1.5 V, I _{OL} = 0.4 μA, SEGOUT			0.2	V
High-level output voltage	V _{OH4}	V _{DD} = 1.5 V, I _{OH} = -4 μA, COM1 to COM3 (1/3 duty) COM1 to COM4 (1/4 duty)	V _{DD2} - 0.2			V
Middle-level output voltage	V _{OM}	V _{DD} = 1.5 V, I _{OH} = -4 μA, I _{OL} = 4 μA, COM1 to COM3 (1/3 duty), COM1 to COM4 (1/4 duty)	V _{DD1} - 0.2		V _{DD1} + 0.2	V
Low-level output voltage	V _{OL4}	V _{DD} = 1.5 V, I _{OL} = 4 μA, COM1 to 2 COM1 to COM3 (1/3 duty), COM1 to COM4 (1/4 duty)			0.2	V
[1/3 Bias - 1/3 Duty and 1/3 Bias - 1/4 Duty Drive]						
High-level output voltage	V _{OH3}	V _{DD} = 1.5 V, I _{OH} = -0.4 μA, SEGOUT	V _{DD3} - 0.2			V
M1-level output voltage	V _{OM1-3}	V _{DD} = 1.5 V, I _{OH} = -0.4 μA, I _{OL} = 0.4 μA, SEGOUT	V _{DD2} - 0.2		V _{DD2} + 0.2	V
M2-level output voltage	V _{OM2-3}	V _{DD} = 1.5 V, I _{OH} = -0.4 μA, I _{OL} = 0.4 μA, SEGOUT	V _{DD1} - 0.2		V _{DD1} + 0.2	V
Low-level output voltage	V _{OL3}	V _{DD} = 1.5 V, I _{OL} = 0.4 μA, SEGOUT			0.2	V
High-level output voltage	V _{OH4}	V _{DD} = 1.5 V, I _{OH} = -4 μA, COM1 to COM3 (1/3 duty) COM1 to COM4 (1/4 duty)	V _{DD3} - 0.2			V
M1-level output voltage	V _{OM1-4}	V _{DD} = 1.5 V, I _{OH} = -4 μA, I _{OL} = 4 μA, COM1 to COM3 (1/3 duty), COM1 to COM4 (1/4 duty)	V _{DD2} - 0.2		V _{DD2} + 0.2	V
M2-level output voltage	V _{OM2-4}	V _{DD} = 1.5 V, I _{OH} = -4 μA, I _{OL} = 4 μA, COM1 to COM3 (1/3 duty), COM1 to COM4 (1/4 duty)	V _{DD1} - 0.2		V _{DD1} + 0.2	V
Low-level output voltage	V _{OL4}	V _{DD} = 1.5 V, I _{OL} = 4 μA, COM1 to COM3 (1/3 duty), COM1 to COM4 (1/4 duty)			0.2	V

Continued on next page.

LC5824, LC5823, LC5822

Continued from preceding page.

Parameter	Symbol	Conditions and applicable pins	Ratings			Unit
			min	typ	max	
[Output Voltage]						
LCD drive method: 1/3 bias						
(doubler)	V _{DD2}	V _{DD} = 1.35 V, f _{opg} = 32.768 kHz, C1 to C3 = 0.1 μF Figure 2	2.5			V
(tripler)	V _{DD3}	V _{DD} = 1.35 V, f _{opg} = 32.768 kHz, C1 to C3 = 0.1 μF Figure 2	3.75			V
LCD drive method: 1/2 bias						
(doubler)	V _{DD2}	V _{DD} = 1.35 V, f _{opg} = 32.768 kHz, C1 to C2 = 0.1 μF Figure 3	2.5			V
[Current Drain (with the backup flag cleared)]						
LCD drive method: 1/3 bias	I _{DD}	V _{DD} = 1.5 V, In halt mode, C1 to C3 = 0.1 μF, C _I = 25 kΩ, Figure 2, C _o = C _g = 20 pF, 32.768 kHz Xtal		3.5		μA
LCD drive methods other than 1/3 bias	I _{DD}	V _{DD} = 1.5 V, In halt mode, C1 = C2 = 0.1 μF, C _I = 25 kΩ, Figure 3, C _o = C _g = 20 pF, 32.768 kHz Xtal		2.0		μA
Oscillator start voltage	V _{stt}	C _o = C _g = 20 pF, C _I = 25 kΩ, Figure 3, 32.768 kHz Xtal			1.35	V
Oscillator hold voltage	V _{HOLD}	V _{BAK} = V _{DD1} , C _I = 25 kΩ, Figures 2 and 3 C _o = C _g = 20 pF, 32.768 kHz Xtal	1.3		1.65	V
Oscillator start time	T _{stt}	V _{DD} = 1.35 V, C _I = 25 kΩ, Figure 4, C _o = C _g = 20 pF, 32.768 kHz Xtal			10	sec
Oscillator correction capacitance	10P	XC	8	10	12	pF
	20P	XTOUT	16	20	24	pF

LC5824, LC5823, LC5822

Li Specifications

Absolute Maximum Ratings at $T_a = 25^\circ\text{C} \pm 2^\circ\text{C}$, $V_{SS} = 0\text{ V}$

Parameter	Symbol	Conditions and applicable pins	Ratings			Unit
			min	typ	max	
Maximum supply voltage	V_{DD}		-0.3		+4.0	V
	V_{DD1}	$V_{BAK} = V_{DD1}$ or V_{DD2}	-0.3		+4.0	V
	V_{DD2}		-0.3		+4.0	V
	V_{DD3}	(LCD drive method: 1/3 bias)	-0.3		+5.5	V
	V_{DD3}	(LCD drive methods other than 1/3 bias)	-0.3		+4.0	V
Maximum input voltage	V_{IN1}	S1 to S4, K1 to K4, M1 to M4, A1 to A4, SO1 to SO4, (With M1 to M4, A1 to A4, and SO1 to SO4 in input mode) RES, TST	-0.3		$V_{DD} + 0.3$	V
Maximum output voltage (LCD drive method: 1/3 bias)	V_{OUT1}	M1 to M4, A1 to A4, SO1 to SO4, (With M1 to M4, A1 to A4, and SO1 to SO4 in output mode) ALM, CUP2	-0.3		$V_{DD} + 0.3$	V
	V_{OUT2}	SEGOUT, COM1 to COM4, CUP1	-0.3		$V_{DD3} + 0.3$	V
(LCD drive methods other than 1/3 bias)	V_{OUT2}	M1 to M4, A1 to A4, SO1 to SO4, (With M1 to M4, A1 to A4, and SO1 to SO4 in output mode) ALM, SEGOUT, COM1 to COM4, CUP1, CUP2	-0.3		$V_{DD} + 0.3$	V
Operating temperature	T_{opg}		-20		+65	$^\circ\text{C}$
Storage temperature	T_{stg}		-30		+125	$^\circ\text{C}$

Allowable Operating Ranges at $T_a = 25^\circ\text{C} \pm 2^\circ\text{C}$, $V_{SS} = 0\text{ V}$

Parameter	Symbol	Conditions and applicable pins	Ratings			Unit
			min	typ	max	
Supply voltage	$\left\{ \begin{matrix} V_{DD} \\ V_{DD2} \end{matrix} \right\}$	$V_{BAK} = V_{DD} / 2$ (With the backup flag cleared)	2.0		3.6	V
	$\left\{ \begin{matrix} V_{DD} \\ V_{DD2} \end{matrix} \right\}$	$V_{BAK} = V_{DD}$ (With the backup flag uncleared)	1.3		3.6	V
	V_{DD3}	(LCD drive method: 1/3-bias)	3.9		5.0	V
	V_{DD3}	(LCD drive methods other than 1/3 bias)		$V_{DD3} = V_{DD2}$		V
High-level input voltage	V_{IH}	S1 to S4, K1 to K4, M1 to M4, A1 to A4, SO1 to SO4, (With M1 to M4, A1 to A4, and SO1 to SO4 in input mode) RES	$V_{DD} - 0.4$		V_{DD}	V
Low-level input voltage	V_{IL}	S1 to S4, K1 to K4, M1 to M4, A1 to A4, SO1 to SO4, (With M1 to M4, A1 to A4, and SO1 to SO4 in input mode) RES	0		0.4	V
Operating frequency	fopg	$T_a = -20$ to $+65^\circ\text{C}$	32		33	kHz

Electrical Characteristics at $T_a = 25^\circ\text{C} \pm 2^\circ\text{C}$, $V_{SS} = 0\text{ V}$, $V_{DD} = V_{DD2}$

Parameter	Symbol	Conditions and applicable pins	Ratings			Unit
			min	typ	max	
Input resistance	R_{IN1A}	$V_{DD} = 3.0\text{ V}$, $V_{IN} = 0.35 V_{DD}$ Low level hold transistor *1, Figure 5	50		500	$\text{k}\Omega$
	R_{IN1B}	$V_{DD} = 3.0\text{ V}$, $V_{IN} = 0.7V_{DD}$ Programmable pull-down resistor *1, Figure 5	50		1000	$\text{k}\Omega$
	R_{IN2A}	$V_{DD} = 3.0\text{ V}$, input mode, Low level hold transistor *1, $V_{IN} = 0.35 V_{DD}$, Figure 5	50		500	$\text{k}\Omega$
	R_{IN2B}	$V_{DD} = 3.0\text{ V}$, Programmable pull-down resistor, *2, $V_{IN} = 0.7 V_{DD}$, input mode, Figure 5	50		1000	$\text{k}\Omega$
	R_{IN3}	$V_{DD} = 3.0\text{ V}$, RES pin pull-up/pull-down resistor $V_{IN} = 0.7 V_{DD}/0.3 V_{DD}$	10		300	$\text{k}\Omega$

LC5824, LC5823, LC5822

Electrical Characteristics at Ta = 25°C ±2°C, VSS = 0 V, VDD = VDD2

Parameter	Symbol	Conditions and applicable pins	Ratings			Unit
			min	typ	max	
High-level output voltage	VOH1	VDD = 2.5 V, IOH = -250 µA, ALM	VDD - 0.65			V
Low-level output voltage	VOL1	VDD = 2.5 V, IOL = 250 µA, ALM			0.65	V
High-level output voltage	VOH2	VDD = 3.0 V, IOH = -40 µA, M1 to M4, A1 to A4, SO1 to SO4, (With M1 to M4, A1 to A4, and SO1 to SO4 in output mode)	VDD - 0.4			V
Low-level output voltage	VOL2	VDD = 3.0 V, IOL = 40 µA, M1 to M4, A1 to A4, SO1 to SO4, (With M1 to M4, A1 to A4, and SO1 to SO4 in output mode)			0.4	V
Segment driver output impedance						
[When Set Up as CMOS Output Ports]						
High-level output voltage	VOH3	VDD = 3.0 V, IOH = -5 µA, Segment 1 to 42	VDD - 1			V
Low-level output voltage	VOL3	VDD = 3.0 V, IOL = 5 µA, Segment 1 to 42			1	V
[When Set Up as P-Channel Open-Drain Output Ports]						
High-level output voltage	VOH3	VDD = 2.5 V, IOH = -10 µA, Segment 1 to 42		0.3	1	V
Output off leakage current	IOFF	VDD = 3.0 V, VOL = VSS			1	µA
[Static Drive]						
High-level output voltage	VOH3	VDD = 3.0 V, IOH = -0.4 µA, SEGOUT	VDD - 0.2			V
Low-level output voltage	VOL3	VDD = 3.0 V, IOL = 0.4 µA, SEGOUT			0.2	V
High-level output voltage	VOH4	VDD = 3.0 V, IOH = -4 µA, COM1	VDD - 0.2			V
Low-level output voltage	VOL4	VDD = 3.0 V, IOL = 4 µA, COM1			0.2	V
[Duplex Drive (1/2 bias - 1/2 duty)]						
High-level output voltage	VOH3	VDD = 3.0 V, IOH = -0.4 µA, SEGOUT	VDD - 0.2			V
Low-level output voltage	VOL3	VDD = 3.0 V, IOL = 0.4 µA, SEGOUT			0.2	V
High-level output voltage	VOH4	VDD = 3.0 V, IOH = -4 µA, COM1 to COM2	VDD - 0.2			V
Middle-level output voltage	VOM	VDD = 3.0 V, IOH = -4 µA, IOL = 4 µA, COM1 to COM2	VDD1 - 0.2		VDD1 + 0.2	V
Low-level output voltage	VOL4	VDD = 3.0 V, IOL = 4 µA, COM1 to COM2			0.2	V
[1/2 Bias - 1/3 Duty and 1/2 Bias - 1/4 Duty Drive]						
High-level output voltage	VOH3	VDD = 3.0 V, IOH = -0.4 µA, SEGOUT	VDD - 0.2			V
Low-level output voltage	VOL3	VDD = 3.0 V, IOL = 0.4 µA, SEGOUT			0.2	V
High-level output voltage	VOH4	VDD = 3.0 V, IOH = -4 µA, COM1 to COM3 (1/3 duty) COM1 to COM4 (1/4 duty)	VDD - 0.2			V
Middle-level output voltage	VOM	VDD = 3.0 V, IOH = -4 µA, IOL = 4 µA, COM1 to COM3 (1/3 duty) COM1 to COM4 (1/4 duty)	VDD1 - 0.2		VDD1 + 0.2	V
Low-level output voltage	VOL4	VDD = 3.0 V, IOL = 4 µA, COM1 to COM3 (1/3 duty) COM1 to COM4 (1/4 duty)			0.2	V

Continued on next page.

LC5824, LC5823, LC5822

Continued from preceding page.

Parameter	Symbol	Conditions and applicable pins	Ratings			Unit
			min	typ	max	
[1/3 Bias - 1/3 Duty and 1/3 Bias - 1/4 Duty Drive]						
High-level output voltage	V _{OH3}	V _{DD} = 3.0 V, I _{OH} = -0.4 μA, SEGOUT	V _{DD3} - 0.2			V
M1-level output voltage	V _{OM1-3}	V _{DD} = 3.0 V, I _{OH} = -0.4 μA, I _{OL} = 0.4 μA, SEGOUT	V _{DD2} - 0.2		V _{DD2} + 0.2	V
M2-level output voltage	V _{OM2-3}	V _{DD} = 3.0 V, I _{OH} = -0.4 μA, I _{OL} = 0.4 μA, SEGOUT	V _{DD1} - 0.2		V _{DD1} + 0.2	V
Low-level output voltage	V _{OL3}	V _{DD} = 3.0 V, I _{OL} = 0.4 μA, SEGOUT			0.2	V
High-level output voltage	V _{OH4}	V _{DD} = 3.0 V, I _{OH} = -4 μA, COM1 to COM3 (in 1/3 duty mode) COM1 to COM4 (in 1/4 duty mode)	V _{DD3} - 0.2			V
M1-level output voltage	V _{OH1-4}	V _{DD} = 3.0 V, I _{OH} = -4 μA, I _{OL} = 4 μA, COM1 to COM3 (in 1/3 duty mode) COM1 to COM4 (in 1/4 duty mode)	V _{DD2} - 0.2		V _{DD2} + 0.2	V
M2-level output voltage	V _{OM2-4}	V _{DD} = 3.0 V, I _{OH} = -4 μA, I _{OL} = 4 μA, COM1 to COM3 (in 1/3 duty mode) COM1 to COM4 (in 1/4 duty mode)	V _{DD1} - 0.2		V _{DD1} + 0.2	V
Low-level output voltage	V _{OL4}	V _{DD} = 3.0 V, I _{OL} = 4 μA, COM1 to COM3 (in 1/3 duty mode) COM1 to COM4 (in 1/4 duty mode)			0.2	V
[Output Voltage]						
LCD drive method: 1/3 bias						
(halver)	V _{DD1}	V _{DD} = 3.0 V, f _{opg} = 32.768 kHz, C1 to C4 = 0.1 μF, Figure 6	1.35			V
(trippler)	V _{DD3}	V _{DD} = 3.0 V, f _{opg} = 32.768 kHz, C1 to C4 = 0.1 μF, Figure 6	4.1			V
LCD drive method: 1/2 bias						
(halver)	V _{DD1}	V _{DD} = 3.0 V, f _{opg} = 32.768 kHz, C1 = C2 = 0.1 μF, Figure 7	1.35			V
[Current Drain (With the backup flag cleared)]						
LCD drive method: 1/3 bias	I _{DD}	V _{DD} = 3.0 V, Halt mode C1 to C4 = 0.1 μF, C1 = 25 kΩ, Figure 6 C _o = C _g = 20 pF, 32.768 kHz Xtal		2.0		μA
LCD drive methods other than 1/3 bias	I _{DD}	V _{DD} = 3.0 V, Halt mode C1 = C2 = 0.1 μF, C1 = 25 kΩ, Figure 7 C _o = C _g = 20 pF, 32.768 kHz Xtal		1.0		μA
Oscillator start capacitor	V _{stt}	V _{DD1} = V _{DD} , C1 = 25 kΩ, Figure 4 C _o = C _g = 20 pF, 32.768 kHz Xtal			1.35	V
Oscillator hold voltage (with the backup flag cleared)	V _{HOLD}	V _{BAK} = V _{DD1} = V _{DD} /2, C1 = 25 kΩ, Figures 6 and 7 C _o = C _g = 20 pF, 32.768 kHz Xtal	2.6			V
Oscillator start time	T _{stt}	V _{DD1} = V _{DD} = 1.35 V, C1 = 25 kΩ, Figure 4 C _o = C _g = 20 pF, 32.768 kHz Xtal			10	sec
Oscillator correction capacitance	10P	XC	8	10	12	pF
	20P	XTOUT	16	20	24	pF

LC5824, LC5823, LC5822

EXT-V Specifications

Absolute Maximum Ratings at $T_a = 25^\circ\text{C} \pm 2^\circ\text{C}$, $V_{SS} = 0\text{ V}$

Parameter	Symbol	Conditions and applicable pins	Ratings			Unit
			min	typ	max	
Maximum supply voltage	V_{DD}		-0.3		+4.0	V
	V_{DD1}		-0.3		+4.0	V
	V_{DD2}		-0.3		+4.0	V
	V_{DD3}	(LCD drive method: 1/3 bias)	-0.3		+5.5	V
	V_{DD3}	(LCD drive methods other than 1/3 bias)	-0.3		+4.0	V
Maximum input voltage	V_{IN2}	S1 to S4, K1 to K4, M1 to M4, A1 to A4, SO1 to SO4, (With M1 to M4, A1 to A4, and SO1 to SO4 in input mode) RES, TST	-0.3		$V_{DD} + 0.3$	V
Maximum output voltage (LCD drive method: 1/3 bias)	V_{OUT2}	M1 to M4, A1 to A4, SO1 to SO4, (With M1 to M4, A1 to A4, and SO1 to SO4 in output mode) ALM, CUP2	-0.3		$V_{DD} + 0.3$	V
	V_{OUT3}	SEGOUT, COM1 to COM4, CUP1	-0.3		$V_{DD3} + 0.3$	V
(LCD drive methods other than 1/3 bias)	V_{OUT2}	M1 to M4, A1 to A4, SO1 to SO4, (With M1 to M4, A1 to A4, and SO1 to SO4 in output mode) ALM, SEGOUT, COM1 to COM4, CUP1	-0.3		$V_{DD} + 0.3$	V
Operating temperature	T_{opg}		-20		+65	$^\circ\text{C}$
Storage temperature	T_{stg}		-30		+125	$^\circ\text{C}$

Allowable Operating Ranges at $T_a = 25^\circ\text{C} \pm 2^\circ\text{C}$, $V_{SS} = 0\text{ V}$

Parameter	Symbol	Conditions and applicable pins	Ratings			Unit
			min	typ	max	
Supply voltage	V_{DD1}		1.3		3.6	V
	V_{DD} V_{DD2}		2.0		3.6	V
	V_{DD3}	(LCD drive method: 1/3-bias)	3.9		5.0	V
	V_{DD3}	(LCD drive methods other than 1/3 bias)	$V_{DD3} = V_{DD2}$			V
High-level input voltage	V_{IH}	S1 to S4, K1 to K4, M1 to M4, A1 to A4, SO1 to SO4, (With M1 to M4, A1 to A4, and SO1 to SO4 in input mode) RES	$V_{DD} - 0.4$		V_{DD}	V
Low-level input voltage	V_{IL}	S1 to S4, K1 to K4, M1 to M4, A1 to A4, SO1 to SO4, (With M1 to M4, A1 to A4, and SO1 to SO4 in input mode) RES	0		0.4	V
Operating frequency	f_{opg}	$T_a = -20 + 65^\circ\text{C}$	32		33	kHz

Electrical Characteristics at $T_a = 25^\circ\text{C} \pm 2^\circ\text{C}$, $V_{SS} = 0\text{ V}$, $V_{DD} = V_{DD2}$

Parameter	Symbol	Conditions and applicable pins	Ratings			Unit
			min	typ	max	
Input resistance	R_{IN1A}	$V_{DD} = 3.0\text{ V}$, $V_{IN} = 0.35 V_{DD}$, Low level hold transistor *1, Figure 5	50		500	$\text{k}\Omega$
	R_{IN1B}	$V_{DD} = 3.0\text{ V}$, $V_{IN} = 0.7 V_{DD}$, Programmable pull-down resistor *1, Figure 5	50		1000	$\text{k}\Omega$
	R_{IN2A}	$V_{DD} = 3.0\text{ V}$, $V_{IN} = 0.35 V_{DD}$, Input mode, Low level hold transistor *1, Figure 5	50		500	$\text{k}\Omega$
	R_{IN2B}	$V_{DD} = 3.0\text{ V}$, $V_{IN} = 0.7 V_{DD}$, input mode, Programmable pull-down resistor *2, Figure 5	50		1000	$\text{k}\Omega$
	R_{IN3}	$V_{DD} = 3.0\text{ V}$, $V_{IN} = 0.7 V_{DD}/0.3 V_{DD}$ RES pin pull-up/pull-down resistor	10		300	$\text{k}\Omega$

Continued on next page.

LC5824, LC5823, LC5822

Continued from preceding page.

Parameter	Symbol	Conditions and applicable pins	Ratings			Unit
			min	typ	max	
High-level output voltage	V _{OH1}	V _{DD} = 2.5 V, I _{OH} = -250 μA, ALM	V _{DD} - 0.65			V
Low-level output voltage	V _{OL1}	V _{DD} = 2.5 V, I _{OL} = 250 μA, ALM			0.65	V
High-level output voltage	V _{OH2}	V _{DD} = 3.0 V, I _{OH} = -40 μA, M1 to M4, A1 to A4, SO1 to SO4 (With M1 to M4, A1 to A4, and SO1 to SO4 in output mode)	V _{DD} - 0.4			V
Low-level output voltage	V _{OL2}	V _{DD} = 3.0 V, I _{OL} = 40 μA, M1 to M4, A1 to A4, SO1 to SO4 (With M1 to M4, A1 to A4, and SO1 to SO4 in output mode)			0.4	V
Segment driver output impedance						
[When Set Up as CMOS Output Ports]						
High-level output voltage	V _{OH3}	V _{DD} = 2.4 V, I _{OH} = -10 μA, Segment 1 to 42	V _{DD} - 1			V
Low-level output voltage	V _{OL3}	V _{DD} = 2.4 V, I _{OL} = 40 μA			1	V
High-level output voltage	V _{OH4}	V _{DD} = 2.4 V, I _{OH} = -5 μA, Segment 1 to 42	V _{DD} - 1			V
Low-level output voltage	V _{OL4}	V _{DD} = 2.4 V, I _{OL} = 20 μA			1	V
[When Set Up as P-Channel Open-Drain Output Ports]						
High-level output voltage	V _{OH3}	V _{DD} = 2.4 V, I _{OH} = -10 μA, Segment 1 to 42	V _{DD} - 0.2	0.3	1	V
Output off leakage current	I _{OFF}	V _{DD} = 2.6 V, V _{OL} = V _{SS}			1	μA
[Static Drive]						
High-level output voltage	V _{OH5}	V _{DD} = 3.0 V, I _{OH} = -0.4 μA, SEGOUT	V _{DD} - 0.2			V
Low-level output voltage	V _{OL5}	V _{DD} = 3.0 V, I _{OL} = 0.4 μA, SEGOUT			0.2	V
High-level output voltage	V _{OH6}	V _{DD} = 3.0 V, I _{OH} = -4 μA, COM1	V _{DD} - 0.2			V
Low-level output voltage	V _{OL6}	V _{DD} = 3.0 V, I _{OL} = 4 μA, COM1			0.2	V
[Duplex Drive (1/2 bias - 1/2 duty)]						
High-level output voltage	V _{OH5}	V _{DD} = 3.0 V, I _{OH} = -0.4 μA, SEGOUT	V _{DD2} - 0.2			V
Low-level output voltage	V _{OL5}	V _{DD} = 3.0 V, I _{OL} = 0.4 μA, SEGOUT			0.2	V
High-level output voltage	V _{OH6}	V _{DD} = 3.0 V, I _{OH} = -4 μA, COM1 to COM2	V _{DD1} - 0.2			V
Middle-level output voltage	V _{OM}	V _{DD} = 3.0 V, I _{OH} = -4 μA, I _{OL} = 4 μA, COM1 to COM2			V _{DD1} + 0.2	V
Low-level output voltage	V _{OL6}	V _{DD} = 3.0 V, I _{OL} = 4 μA, COM1 to COM2			0.2	V
[1/2 Bias - 1/3 Duty and 1/2 Bias - 1/4 Duty Drive]						
High-level output voltage	V _{OH5}	V _{DD} = 3.0 V, I _{OH} = -0.4 μA, SEGOUT	V _{DD} - 0.2			V
Low-level output voltage	V _{OL5}	V _{DD} = 3.0 V, I _{OL} = 0.4 μA, SEGOUT			0.2	V
High-level output voltage	V _{OH6}	V _{DD} = 3.0 V, I _{OH} = -4 μA, COM1 to COM3 (1/3 duty) COM1 to COM4 (1/4 duty)	V _{DD2} - 0.2			V
Middle-level output voltage	V _{OM}	V _{DD} = 3.0 V, I _{OH} = -4 μA, I _{OL} = 4 μA, COM1 to COM3 (1/3 duty) COM1 to COM4 (1/4 duty)	V _{DD1} - 0.2		V _{DD1} + 0.2	V
Low-level output voltage	V _{OL6}	V _{DD} = 3.0 V, I _{OL} = 4 μA, COM1 to COM3 (1/3 duty) COM1 to COM4 (1/4 duty)			0.2	V

Continued on next page.

LC5824, LC5823, LC5822

Continued from preceding page.

Parameter	Symbol	Conditions and applicable pins	Ratings			Unit
			min	typ	max	
[1/3 Bias - 1/3 Duty and 1/3 Bias - 1/4 Duty Drive]						
High-level output voltage	V _{OH5}	V _{DD} = 3.0 V, I _{OH} = -0.4 μA, SEGOUT	V _{DD3} + 0.2			V
Middle-level output voltage	V _{OM1-5}	V _{DD} = 3.0 V, I _{OH} = -0.4 μA, I _{OL} = 0.4 μA, SEGOUT	V _{DD2} - 0.2		V _{DD2} + 0.2	V
	V _{OM2-5}	V _{DD} = 3.0 V, I _{OH} = -0.4 μA, I _{OL} = 0.4 μA, SEGOUT	V _{DD1} - 0.2		V _{DD1} + 0.2	V
Low-level output voltage	V _{OL5}	V _{DD} = 3.0 V, I _{OL} = 0.4 μA, SEGOUT			0.2	V
High-level output voltage	V _{OH6}	V _{DD} = 3.0 V, I _{OH} = -0.4 μA, COM1 to COM3 (in 1/3 duty mode) COM1 to COM4 (in 1/4 duty mode)	V _{DD3} + 0.2			V
Middle-level output voltage	V _{OM1-6}	V _{DD} = 3.0 V, I _{OH} = -0.4 μA, I _{OL} = 0.4 μA, COM1 to COM3 (in 1/3 duty mode) COM1 to COM4 (in 1/4 duty mode)	V _{DD2} - 0.2		V _{DD2} + 0.2	V
	V _{OM2-6}	V _{DD} = 3.0 V, I _{OH} = -0.4 μA, I _{OL} = 0.4 μA, COM1 to COM3 (in 1/3 duty mode) COM1 to COM4 (in 1/4 duty mode)	V _{DD1} - 0.2		V _{DD1} + 0.2	V
Low-level output voltage	V _{OL6}	V _{DD} = 3.0 V, I _{OL} = 0.4 μA			0.2	V
[Output Voltage]						
LCD drive method: 1/3 bias						
(halver)	V _{DD1}	V _{DD} = 3.0 V, f _{opg} = 32.768 kHz, C1 to C4 = 0.1 μF, Figure 6	1.35			V
(tripler)	V _{DD3}	V _{DD} = 3.0 V, f _{opg} = 32.768 kHz, C1 to C4 = 0.1 μF, Figure 6	4.1			V
LCD drive method: 1/2 bias						
(halver)	V _{DD1}	V _{DD} = 3.0 V, f _{opg} 32.768 kHz, C1 = C2 = 0.1 μF, Figure 7	1.35			V
[Current Drain (With the backup flag cleared)]						
LCD drive method: 1/3 bias	I _{DD}	V _{DD} = 3.0 V, Halt mode, C1 to C4 = 0.1 μF, C _I = 25 kΩ C _o = C _g = 20 pF, 32.768 kHz Xtal, Figure 6		5.0		μA
LCD drive methods other than 1/3 bias	I _{DD}	V _{DD} = 3.0 V, Halt mode, C1 to C2 = 0.1 μF, C _I = 25 kΩ, Figure 7, C _o = C _g = 20 pF, 32.768 kHz, Xtal		5.0		μA
Oscillator start voltage	V _{stt}	V _{DD} = V _{DD2} , C _I = 25 kΩ, Figure 4, C _o = C _g = 20 pF, 32.768 kHz Xtal			2.2	V
Oscillator hold voltage (with the backup flag cleared)	V _{HOLD}	V _{DD} = V _{DD2} , C _I = 25 kΩ, , Figures 5, 6, 7, and 8, C _o = C _g = 20 pF, 32.768 kHz Xtal	2.0			V
Oscillator start time	T _{stt}	V _{DD} = V _{DD2} = 2.2 V, C _I = 25 kΩ, Figure 4 C _o = C _g = 20 pF, 32.768 kHz Xtal			10	sec
Oscillator correction capacitance	10P	XC	8	10	12	pF
	20P	XTOUT	16	20	24	pF

Note : 1. S1 to 4, K1 to 4
2. M1 to 4, A1 to 4, SO1 to 4

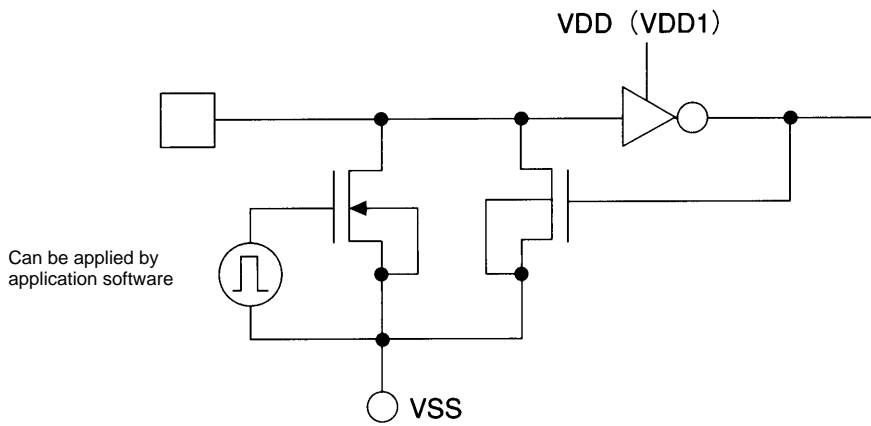


Figure 1 S1 to S4, K1 to K4, M1 to M4, A1 to A4, and SO1 to SO4

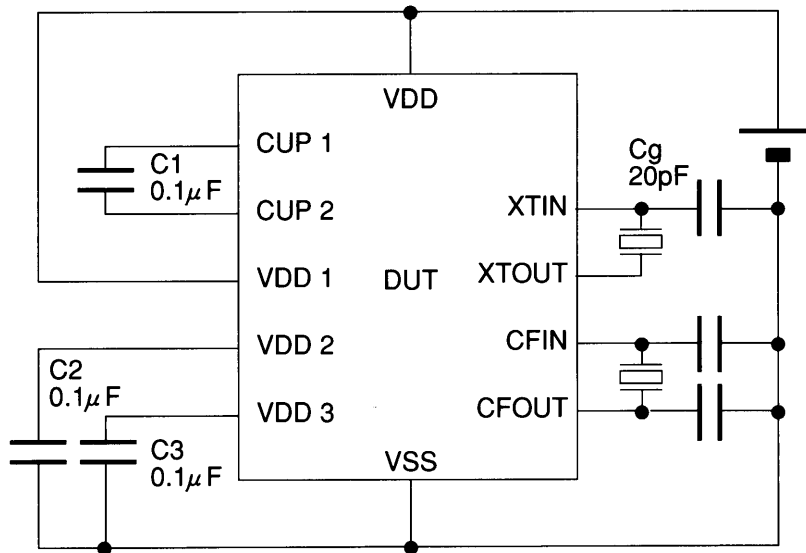


Figure 2 Output Voltage, Current Drain, and Oscillator Hold Voltage Test Circuit

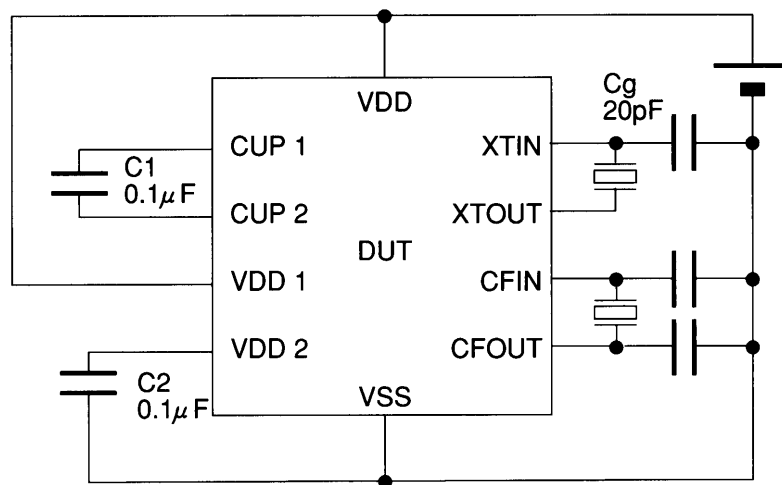


Figure 3 Output Voltage, Current Drain, and Oscillator Hold Voltage Test Circuit

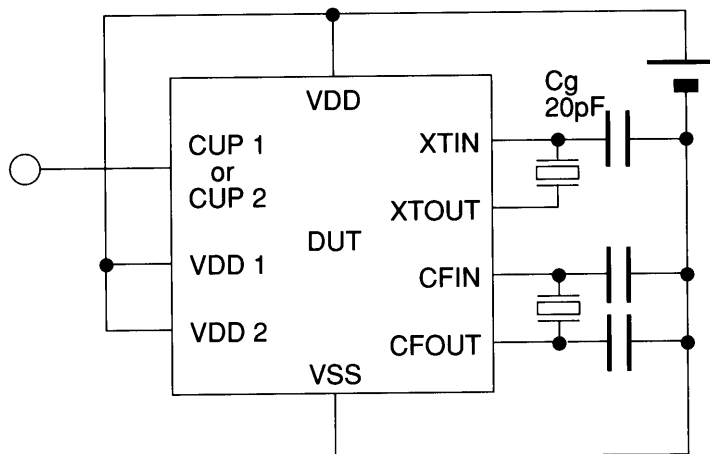


Figure 4 Oscillator Start Voltage, Oscillator Start Time, and Frequency Stability Test Circuit

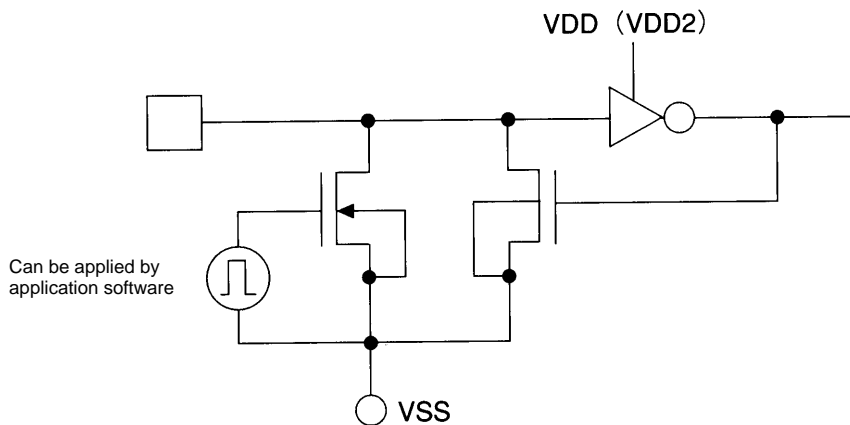


Figure 5 S1 to S4, K1 to K4, M1 to M4, A1 to A4, and SO1 to SO4

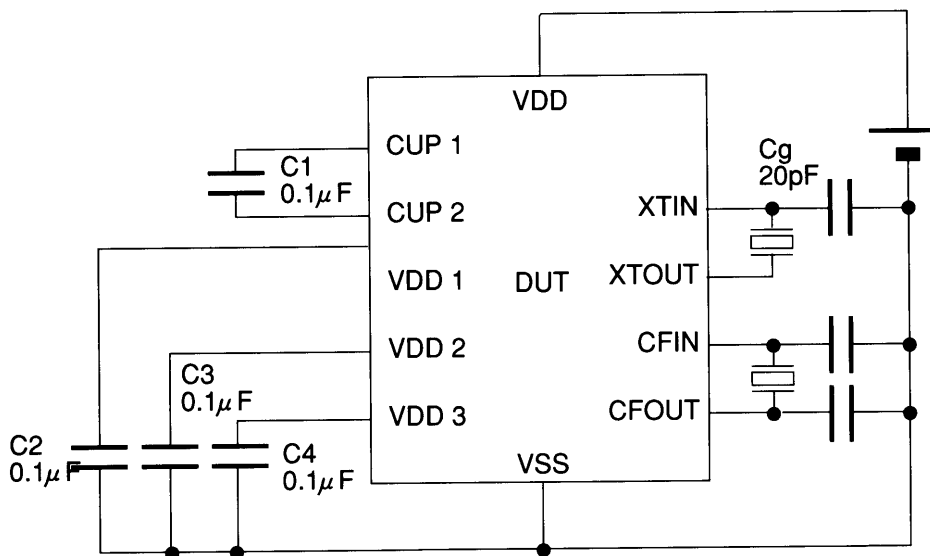


Figure 6 Output Voltage, Current Drain, and Oscillator Hold Voltage Test Circuit

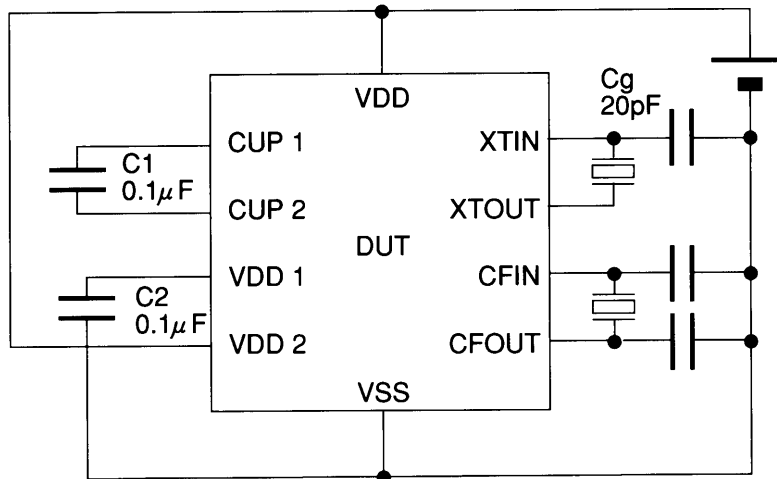


Figure 7 Output Voltage, Current Drain, and Oscillator Hold Voltage Test Circuit

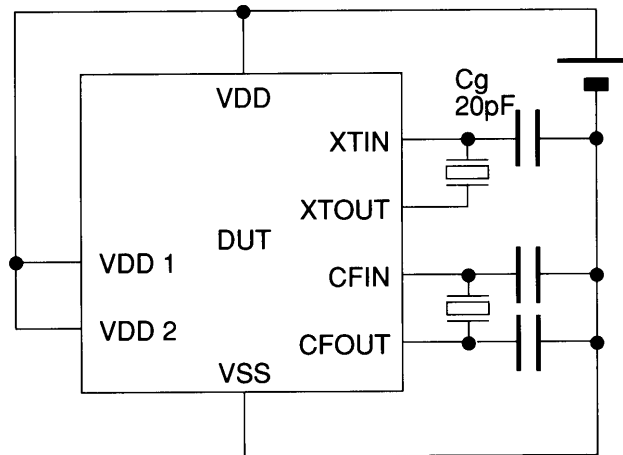


Figure 8 Output Voltage, Current Drain, and Oscillator Hold Voltage Test Circuit

- Specifications of any and all SANYO products described or contained herein stipulate the performance, characteristics, and functions of the described products in the independent state, and are not guarantees of the performance, characteristics, and functions of the described products as mounted in the customer's products or equipment. To verify symptoms and states that cannot be evaluated in an independent device, the customer should always evaluate and test devices mounted in the customer's products or equipment.
- SANYO Electric Co., Ltd. strives to supply high-quality high-reliability products. However, any and all semiconductor products fail with some probability. It is possible that these probabilistic failures could give rise to accidents or events that could endanger human lives, that could give rise to smoke or fire, or that could cause damage to other property. When designing equipment, adopt safety measures so that these kinds of accidents or events cannot occur. Such measures include but are not limited to protective circuits and error prevention circuits for safe design, redundant design, and structural design.
- In the event that any and all SANYO products described or contained herein fall under strategic products (including services) controlled under the Foreign Exchange and Foreign Trade Control Law of Japan, such products must not be exported without obtaining export license from the Ministry of International Trade and Industry in accordance with the above law.
- No part of this publication may be reproduced or transmitted in any form or by any means, electronic or mechanical, including photocopying and recording, or any information storage or retrieval system, or otherwise, without the prior written permission of SANYO Electric Co., Ltd.
- Any and all information described or contained herein are subject to change without notice due to product/technology improvement, etc. When designing equipment, refer to the "Delivery Specification" for the SANYO product that you intend to use.
- Information (including circuit diagrams and circuit parameters) herein is for example only; it is not guaranteed for volume production. SANYO believes information herein is accurate and reliable, but no guarantees are made or implied regarding its use or any infringements of intellectual property rights or other rights of third parties.

This catalog provides information as of August, 1998. Specifications and information herein are subject to change without notice.