



LC4131C

LCD Dot Matrix Common Driver for STN Displays

Preliminary

Overview

The LC4131C is a common driver for large-scale dot matrix LCD panels. It includes a 120-bit bidirectional shift register and 4-level LCD driver circuits. The number of bits can be further increased by using the provided input and output pins to connect multiple LC4131Cs in cascade. The LC4131C and LC4104C form a large-screen LCD panel driver chip set.

Features

- Fabricated in a CMOS (P-sub) high-voltage process.
- LCD drive voltage: 36 V
- Logic system power-supply voltage: 2.7 to 5.5 V
- fcp max: 2.5 MHz
- Slim chip (output pads are concentrated on one of the longer sides)
- Bidirectional shift register
- The shift register can be split into two 60-bit registers. (Two screens drivable)
- DISPOFF function that locks the drive voltages output to the LCD at fixed levels.
- Display duty: 1/160 to 1/480
- Appropriate for COG (chip on glass) mounting. (A gold bump structure is adopted in the pad areas.)

Specifications

The electrical characteristics values shown below are for devices encapsulated in the Sanyo standard PGA-208 package.

Absolute Maximum Ratings at $V_{SS} = 0$ V

Parameter	Symbol	Applicable pins	Ratings			Unit
			min	typ	max	
Supply voltage	$V_{DD \text{ max}}$	V_{DD}	-0.3		7.0	V
	$V_{EE \text{ max}}$	V_{EE}	-0.3		40.0	V
Input voltage	$V_{SSH \text{ max}}$	V_{SSH}	-0.3		0.3	V
	V_{IN}	*1	-0.3		$V_{DD} + 0.3$	V
	V_0, V_1	V_0, V_1 *2	$V_{EE} - 7.0$		$V_{EE} + 0.3$	V
	V_4	V_4 *2	-0.3		$V_{SS} + 7.0$	V
	V_5	V_5 *2	-0.3		+0.3	V
Operating temperature	T_{opr}		-20		+75	°C
Storage temperature	T_{stg}		-55		+125	°C

Note: 1. LOAD, RS/LS, DISP, DF, DIO1, DIO120, DMIN and MODE

2. The voltages $V_0, V_1, V_4,$ and V_5 must obey the relationships $V_{EE} \geq V_0 \geq V_1 \geq V_{EE} - 7$ V, and 7 V $\geq V_4 \geq V_5 \geq V_{SSH}$.

Allowable Operating Ranges at $V_{SS} = 0$ V, $T_a = -20$ to $+75$ °C

Parameter	Symbol	Applicable pins	Ratings			Unit
			min	typ	max	
Supply voltage	V_{DD}	V_{DD}	2.7		5.5	V
	V_{EE}	V_{EE}	14		36	V
	V_{SSH}	V_{SSH}		0		V
Input high-level voltage	V_{IH}	*1	$0.8 \times V_{DD}$		V_{DD}	V
Input low-level voltage	V_{IL}	*1	0		$0.2 \times V_{DD}$	V
Input voltage	V_0, V_1	V_0, V_1 *2	$V_{EE} - 7.0$		V_{EE}	V
	V_4	V_4 *2	0		$V_{SSH} + 7.0$	V
	V_5	V_5 *2		0		V

Note: 1. LOAD, RS/LS, DISP, DF, DIO1, DIO120, DMIN and MODE

2. The voltages $V_0, V_1, V_4,$ and V_5 must obey the relationships $V_{EE} \geq V_0 \geq V_1 \geq V_{EE} - 7$ V, and 7 V $\geq V_4 \geq V_5 \geq V_{SSH}$.

When turning on the power supplies, first turn on the logic system power supply and then turn on the high-voltage system power supply; alternatively, turn both on at the same time.

When turning off the power supplies, first turn off the high-voltage system power supply and then turn off the logic system power supply; alternatively, turn both off at the same time.

SANYO Electric Co., Ltd. Semiconductor Business Headquarters

TOKYO OFFICE Tokyo Bldg., 1-10, 1 Chome, Ueno, Taito-ku, TOKYO, 110-8534 JAPAN

LC4131C

Electrical Characteristics at $T_a = -20$ to $+75^\circ\text{C}$, $V_{DD} = 2.7$ to 5.5 V, $V_{SS} = 0$ V

Parameter	Symbol	Conditions	Ratings			Unit
			min	typ	max	
Input high-level current	I_{IH}	$V_{IN} = V_{DD}^{*1}$			1	μA
Input low-level current	I_{IL}	$V_{IN} = V_{SS}^{*1}$	-1			
Output high-level voltage	V_{OH}	$I_{OH} = -0.4$ mA, DIO1, DIO120	$0.8 \times V_{DD}$		V_{DD}	V
Output low-level voltage	V_{OL}	$I_{OL} = 0.4$ mA, DIO1, DIO120	V_{SS}		$0.2 \times V_{DD}$	
Output on resistance	RON0	$V_{OUT} = V_0 - 0.5$ V *2, OUT1 to 120			1000	Ω
	RON1	$V_{OUT} = V_1 - 0.5$ V *2, OUT1 to 120			1000	
	RON4	$V_{OUT} = V_4 + 0.5$ V *2, OUT1 to 120			1000	
	RON5	$V_{OUT} = V_5 + 0.5$ V *2, OUT1 to 120			1000	
Current drain 1	I_{DD}	V_{DD}^{*3}			200	μA
Current drain 2	I_{DDH}	V_{DD}^{*4}			500	

Note: 1. LOAD, RS/LS, DISP, DF, DIO1, DIO120, DMIN and MODE

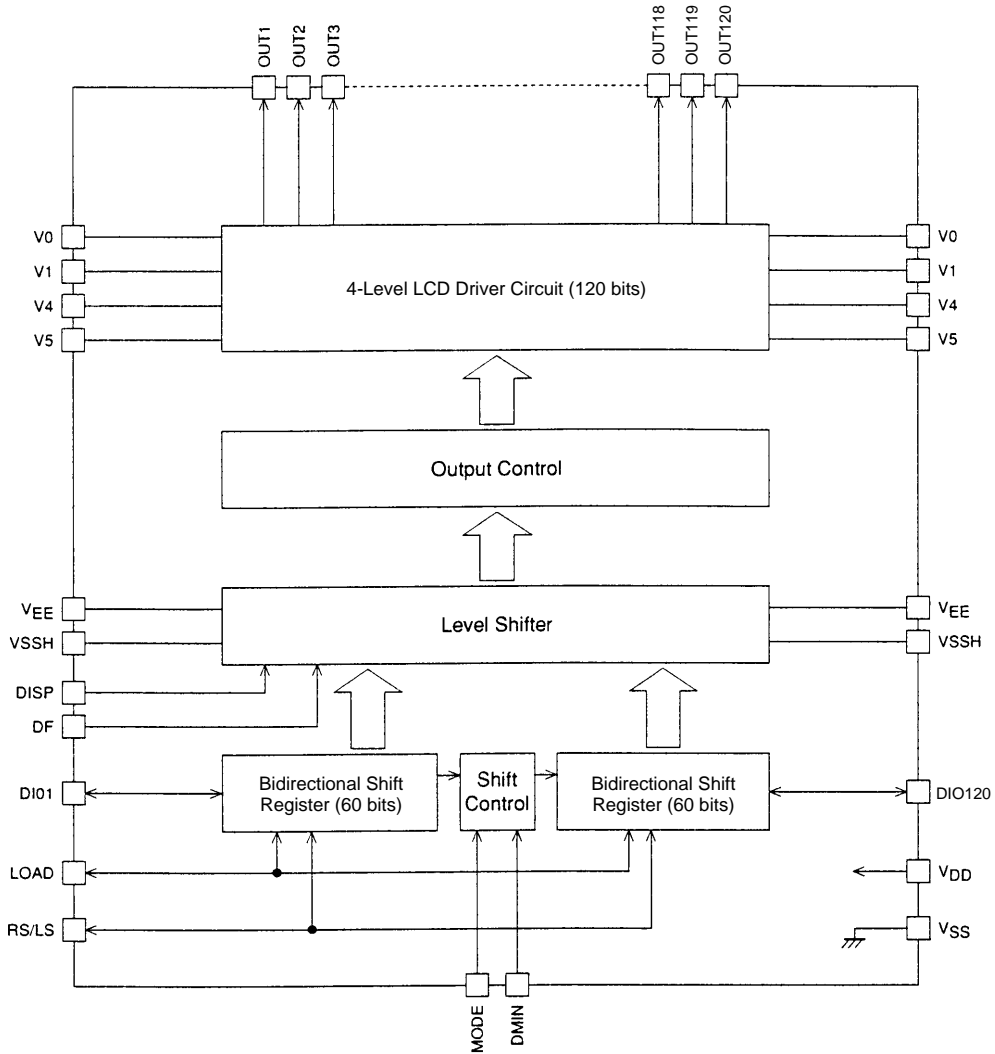
2. V_{OUT} is the voltage applied to on-state outputs. $V_0 = V_{EE}$, $V_1 = 19/20 (V_{EE} - V_{SSH})$, $V_4 = 1/20 (V_{EE} - V_{SSH})$, $V_5 = V_{SSH}$, $V_{SSH} = V_{SS}$

3. $V_{DD} = 2.7$ to 5.5 V, $f_{CP} = 50$ kHz

4. $f_{DF} = 100$ Hz, with no output load, $V_{EE} = 36$ V, for a single data shift

* This IC must be handled carefully enough because the ESD Is not so firm.

Block Diagram



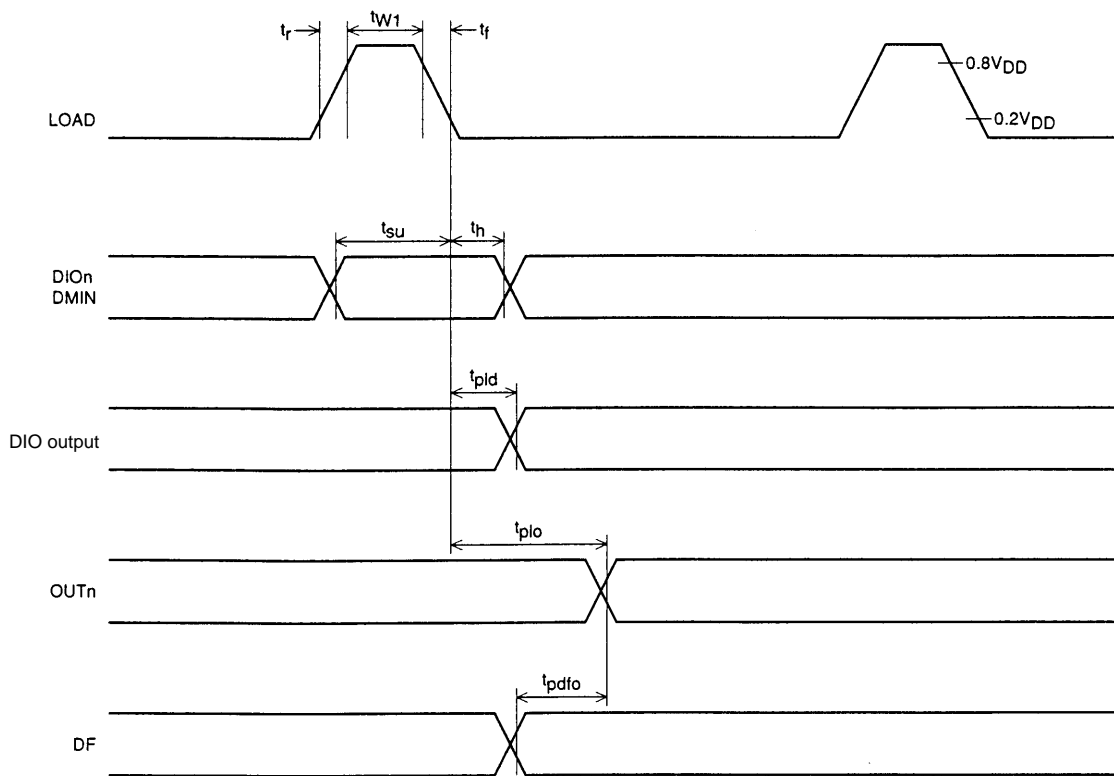
A09114

LC4131C

Switching Characteristics at $V_{DD} = 2.7$ to 5.5 V, $T_a = -20$ to $+75^\circ\text{C}$, $V_{SS} = 0$ V

Parameter	Symbol	Conditions	Ratings			Unit
			min	typ	max	
Clock frequency	fload	LOAD			2.5	MHz
High-level clock pulse width	twl	LOAD	100			ns
Input setup time	tsu	LOAD, DIO _n , DMIN	100			
Input hold time	th	LOAD, DIO _n , DMIN	30			
LOAD rise time	tr	LOAD			30	
LOAD fall time	tf	LOAD			30	
DIO output delay time	tpld	LOAD, DIO _n : 30 pF capacitance load			200	
LOAD-on delay time	tplo	LOAD, OUT _n : 100 pF capacitance load			1.0	
DF-on delay time	tpdfo	DF, OUT _n : 100 pF capacitance load			1.0	μs

Switching Characteristics



A09115

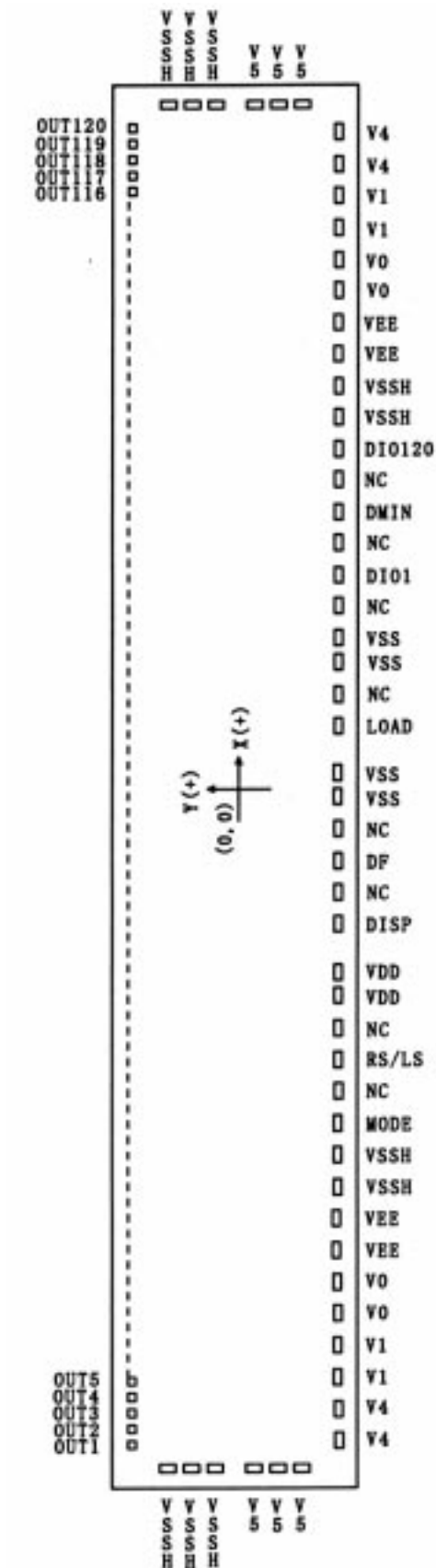
LC4131C

Pin Functions

Symbol	I/O	Function																														
OUT1 to OUT120	O	LCD drive outputs																														
		<table border="1" style="display: inline-table;"> <thead> <tr> <th>DF</th> <th>Data</th> <th>DISP</th> <th>OUTn</th> </tr> </thead> <tbody> <tr> <td>L</td> <td>H</td> <td>H</td> <td>V0</td> </tr> <tr> <td>H</td> <td>L</td> <td>H</td> <td>V1</td> </tr> <tr> <td>L</td> <td>L</td> <td>H</td> <td>V4</td> </tr> <tr> <td>H</td> <td>H</td> <td>H</td> <td>V5</td> </tr> <tr> <td>*</td> <td>*</td> <td>L</td> <td>V5</td> </tr> </tbody> </table>	DF	Data	DISP	OUTn	L	H	H	V0	H	L	H	V1	L	L	H	V4	H	H	H	V5	*	*	L	V5						
		DF	Data	DISP	OUTn																											
		L	H	H	V0																											
		H	L	H	V1																											
		L	L	H	V4																											
H	H	H	V5																													
*	*	L	V5																													
*: don't care																																
V0	I	V0 level drive voltage input																														
V1	I	V1 level drive voltage input																														
V4	I	V4 level drive voltage input																														
V5	I	V5 level drive voltage input																														
V _{EE}	—	High-voltage block power supply																														
V _{SSH}	—	High-voltage block ground																														
DISP	I	All outputs will be held at a fixed V5 level when this pin is low.																														
DF	I	Alternation input																														
LOAD	I	Data shift pulse input (falling edge)																														
MODE	I	Data shift direction specification input																														
RS/LS	I																															
DIO1 DMIN DIO120	I/O																															
	I																															
	I/O																															
		<table border="1" style="display: inline-table;"> <thead> <tr> <th>MODE</th> <th>RS/LS</th> <th>Shift direction</th> <th>DIO1</th> <th>DIO160</th> <th>DMIN</th> </tr> </thead> <tbody> <tr> <td>L</td> <td>L</td> <td>OUT120 → OUT1</td> <td>OUT</td> <td>IN</td> <td>*</td> </tr> <tr> <td>L</td> <td>H</td> <td>OUT1 → OUT120</td> <td>IN</td> <td>OUT</td> <td>*</td> </tr> <tr> <td>H</td> <td>L</td> <td>OUT120 → OUT61 OUT60 → OUT1</td> <td>OUT</td> <td>IN</td> <td>IN</td> </tr> <tr> <td>H</td> <td>H</td> <td>OUT1 → OUT60 OUT61 → OUT120</td> <td>IN</td> <td>OUT</td> <td>IN</td> </tr> </tbody> </table>	MODE	RS/LS	Shift direction	DIO1	DIO160	DMIN	L	L	OUT120 → OUT1	OUT	IN	*	L	H	OUT1 → OUT120	IN	OUT	*	H	L	OUT120 → OUT61 OUT60 → OUT1	OUT	IN	IN	H	H	OUT1 → OUT60 OUT61 → OUT120	IN	OUT	IN
MODE	RS/LS	Shift direction	DIO1	DIO160	DMIN																											
L	L	OUT120 → OUT1	OUT	IN	*																											
L	H	OUT1 → OUT120	IN	OUT	*																											
H	L	OUT120 → OUT61 OUT60 → OUT1	OUT	IN	IN																											
H	H	OUT1 → OUT60 OUT61 → OUT120	IN	OUT	IN																											
		*: don't care (Must be fixed at low or high.)																														
V _{DD}	—	Logic system power supply																														
V _{SS}	—	Logic system ground																														

LC4131C

Pad Assignment



Chip size : 12.11 x 2.00 mm

LC4131C

LC4131C Pad Coordinates

Pin	X coordinate	Y coordinate	Pad type	Pin	X coordinate	Y coordinate	Pad type
OUT1	-5652.9	718.5	B	OUT51	-902.9	718.5	B
OUT2	-5557.9	718.5	B	OUT52	-807.9	718.5	B
OUT3	-5462.9	718.5	B	OUT53	-712.9	718.5	B
OUT4	-5367.9	718.5	B	OUT54	-617.9	718.5	B
OUT5	-5272.9	718.5	B	OUT55	-522.9	718.5	B
OUT6	-5177.9	718.5	B	OUT56	-427.9	718.5	B
OUT7	-5082.9	718.5	B	OUT57	-332.9	718.5	B
OUT8	-4987.9	718.5	B	OUT58	-237.9	718.5	B
OUT9	-4892.9	718.5	B	OUT59	-142.9	718.5	B
OUT10	-4797.9	718.5	B	OUT60	-47.9	718.5	B
OUT11	-4702.9	718.5	B	OUT61	47.1	718.5	B
OUT12	-4607.9	718.5	B	OUT62	142.1	718.5	B
OUT13	-4512.9	718.5	B	OUT63	237.1	718.5	B
OUT14	-4417.9	718.5	B	OUT64	332.1	718.5	B
OUT15	-4322.9	718.5	B	OUT65	427.1	718.5	B
OUT16	-4227.9	718.5	B	OUT66	522.1	718.5	B
OUT17	-4132.9	718.5	B	OUT67	617.1	718.5	B
OUT18	-4037.9	718.5	B	OUT68	712.1	718.5	B
OUT19	-3942.9	718.5	B	OUT69	807.1	718.5	B
OUT20	-3847.9	718.5	B	OUT70	902.1	718.5	B
OUT21	-3752.9	718.5	B	OUT71	997.1	718.5	B
OUT22	-3657.9	718.5	B	OUT72	1092.1	718.5	B
OUT23	-3562.9	718.5	B	OUT73	1187.1	718.5	B
OUT24	-3467.9	718.5	B	OUT74	1282.1	718.5	B
OUT25	-3372.9	718.5	B	OUT75	1377.1	718.5	B
OUT26	-3277.9	718.5	B	OUT76	1472.1	718.5	B
OUT27	-3182.9	718.5	B	OUT77	1567.1	718.5	B
OUT28	-3087.9	718.5	B	OUT78	1622.1	718.5	B
OUT29	-2992.9	718.5	B	OUT79	1757.1	718.5	B
OUT30	-2897.9	718.5	B	OUT80	1852.1	718.5	B
OUT31	-2802.9	718.5	B	OUT81	1947.1	718.5	B
OUT32	-2707.9	718.5	B	OUT82	2042.1	718.5	B
OUT33	-2612.9	718.5	B	OUT83	2137.1	718.5	B
OUT34	-2517.9	718.5	B	OUT84	2232.1	718.5	B
OUT35	-2422.9	718.5	B	OUT85	2327.1	718.5	B
OUT36	-2327.9	718.5	B	OUT86	2422.1	718.5	B
OUT37	-2232.9	718.5	B	OUT87	2517.1	718.5	B
OUT38	-2137.9	718.5	B	OUT88	2612.1	718.5	B
OUT39	-2042.9	718.5	B	OUT89	2707.1	718.5	B
OUT40	-1947.9	718.5	B	OUT90	2802.1	718.5	B
OUT41	-1852.9	718.5	B	OUT91	2897.1	718.5	B
OUT42	-1757.9	718.5	B	OUT92	2992.1	718.5	B
OUT43	-1662.9	718.5	B	OUT93	3087.1	718.5	B
OUT44	-1567.9	718.5	B	OUT94	3182.1	718.5	B
OUT45	-1472.9	718.5	B	OUT95	3277.1	718.5	B
OUT46	-1377.9	718.5	B	OUT96	3372.1	718.5	B
OUT47	-1282.9	718.5	B	OUT97	3467.1	718.5	B
OUT48	-1187.9	718.5	B	OUT98	3562.1	718.5	B
OUT49	-1092.9	718.5	B	OUT99	3657.1	718.5	B
OUT50	-997.9	718.5	B	OUT100	3752.1	718.5	B

Pad type	Size
A	120 μm \times 60 μm
B	75 μm \times 60 μm
C	100 μm \times 60 μm

Continued on next page.

LC4131C

Continued from preceding page.

Pin	X coordinate	Y coordinate	Pad type	Pin	X coordinate	Y coordinate	Pad type
OUT101	3847.1	718.5	B	V _{SS}	88.6	-804.0	A
OUT102	3942.1	718.5	B	LOAD	475.2	-804.0	A
OUT103	4037.1	718.5	B	Dammy	757.0	-804.0	A
OUT104	4132.1	718.5	B	Dammy	1502.6	-804.0	A
OUT105	4227.1	718.5	B	DIO1	1785.4	-804.0	A
OUT106	4322.1	718.5	B	Dammy	2065.4	-804.0	A
OUT107	4417.1	718.5	B	DMIN	2348.2	-804.0	A
OUT108	4512.1	718.5	B	Dammy	2631.0	-804.0	A
OUT109	4607.1	718.5	B	DIO120	2913.8	-804.0	A
OUT110	4702.1	718.5	B	V _{SSH}	3196.6	-803.8	A
OUT111	4797.1	718.5	B	V _{SSH}	3476.6	-803.8	A
OUT112	4892.1	718.5	B	V _{EE}	3756.6	-823.8	A
OUT113	4987.1	718.5	B	V _{EE}	4036.6	-823.8	A
OUT114	5082.1	718.5	B	V0	4316.6	-813.8	A
OUT115	5177.1	718.5	B	V0	4596.6	-813.8	A
OUT116	5272.1	718.5	B	V1	4876.6	-791.0	A
OUT117	5367.1	718.5	B	V1	5156.6	-791.0	A
OUT118	5462.1	718.5	B	V4	5436.6	-790.1	A
OUT119	5557.1	718.5	B	V4	5716.6	-790.1	A
OUT120	5652.1	718.5	B	V _{SS}	1039.8	-783.6	A
V4	-5713.8	-790.8	A	V _{SS}	1219.8	-783.6	A
V4	-5433.8	-790.8	A	V1	-5153.8	-786.9	A
V _{EE}	-4033.8	-813.8	A	V1	-4873.8	-786.9	A
V _{EE}	-3753.8	-813.8	A	V0	-4593.8	-786.9	A
V _{SSH}	-3473.8	-811.2	A	V0	-4313.8	-786.9	A
V _{SSH}	-3193.8	-811.2	A	V5	5895.0	-462.5	C
MODE	-2911.0	-804.0	A	V5	-5891.7	-459.5	C
Dammy	-2631.0	-804.0	A	V5	5895.0	-322.5	C
RSLs	-2347.2	-804.0	A	V5	-5891.7	-319.5	C
Dammy	-2065.4	-804.0	A	V5	5895.0	-182.5	C
V _{DD}	-1782.6	-804.0	A	V5	-5891.7	-179.5	C
V _{DD}	-1605.4	-804.0	A	V _{SSH}	-5885.7	87.5	C
DISP	-1219.8	-804.0	A	V _{SSH}	5885.6	87.5	C
Dammy	-939.8	-804.0	A	V _{SSH}	-5885.7	227.5	C
DF	-654.2	-804.0	A	V _{SSH}	5885.6	227.5	C
Dammy	-374.2	-804.0	A	V _{SSH}	-5885.7	367.5	C
V _{SS}	-91.4	-804.0	A	V _{SSH}	5885.6	367.5	C

- No products described or contained herein are intended for use in surgical implants, life-support systems, aerospace equipment, nuclear power control systems, vehicles, disaster/crime-prevention equipment and the like, the failure of which may directly or indirectly cause injury, death or property loss.
- Anyone purchasing any products described or contained herein for an above-mentioned use shall:
 - ① Accept full responsibility and indemnify and defend SANYO ELECTRIC CO., LTD., its affiliates, subsidiaries and distributors and all their officers and employees, jointly and severally, against any and all claims and litigation and all damages, cost and expenses associated with such use:
 - ② Not impose any responsibility for any fault or negligence which may be cited in any such claim or litigation on SANYO ELECTRIC CO., LTD., its affiliates, subsidiaries and distributors or any of their officers and employees jointly or severally.
- Information (including circuit diagrams and circuit parameters) herein is for example only; it is not guaranteed for volume production. SANYO believes information herein is accurate and reliable, but no guarantees are made or implied regarding its use or any infringements of intellectual property rights or other rights of third parties.

This catalog provides information as of April, 1998. Specifications and information herein are subject to change without notice.