

**SANYO**

No. 4915A

**LC35256AM, AT-10LV/12LV/15LV****256K (32768 words × 8 bits) SRAM  
with  $\overline{OE}$  and  $\overline{CE}$  Control Pins**

## Overview

The LC35256AM, AT-10LV/12LV/15LV are asynchronous silicon-gate CMOS SRAMs with a 32K-word by 8-bit organization and a 6-transistor structure full-CMOS type memory cell. The LC35256AM, AT-10LV/12LV/15LV feature an ultralow voltage operation, a low operating current and an ultralow standby current. The LC35256AM, AT-10LV/12LV/15LV control signal inputs include an  $\overline{OE}$  input for high-speed memory access and a  $\overline{CE}$  (chip enable) input for device selection. Thus these products are optimal for systems that require low power and battery backup, and they allow memory system capacity to be expanded easily. The LC35256AM, AT-10LV/12LV/15LV ultralow standby current means that capacitor backup is also possible. These products feature 3 V operation to support 3 V power supply systems and a battery operation function that allows directly connected battery drive.

## Features

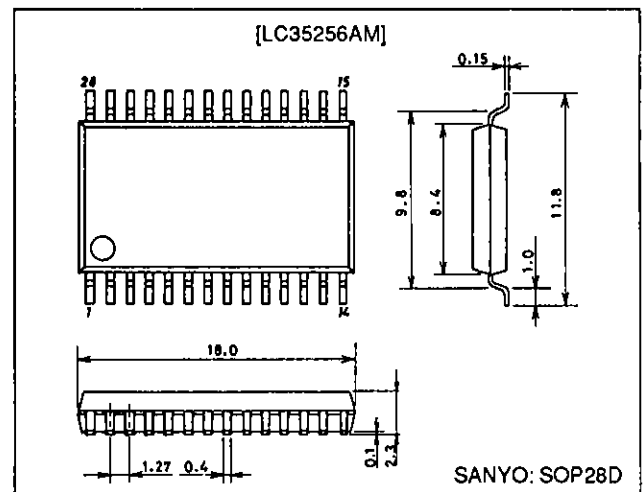
- Power supply voltage range: 2.0 to 3.6 V  
3 V operation: 2.7 to 3.6 V  
Battery operation: 2.0 to 3.6 V
- Access times
  - 3 V operation
    - LC35256AM, AT-10LV: 100 ns (max.)
    - LC35256AM, AT-12LV: 120 ns (max.)
    - LC35256AM, AT-15LV: 150 ns (max.)
  - Battery operation
    - LC35256AM, AT-10LV: 200 ns (max.)
    - LC35256AM, AT-12LV: 240 ns (max.)
    - LC35256AM, AT-15LV: 300 ns (max.)
- Standby current: 0.8  $\mu$ A ( $T_a \leq 60^\circ\text{C}$ )  
4.0  $\mu$ A ( $T_a \leq 85^\circ\text{C}$ )
- Operating temperature range:  $-40$  to  $+85^\circ\text{C}$
- Data retention power supply voltage: 2.0 to 3.6 V
- Input level: CMOS compatible  
( $0.8 V_{CC}/0.2 V_{CC}$ )
- 28-pin SOP (450 mil) plastic package: LC35256AM Series
- 28-pin TSOP (TYPE-I) plastic package: LC35256AT Series

- Shared I/O pins, 3-state outputs
- No clock required (completely static circuits)

## Package Dimensions

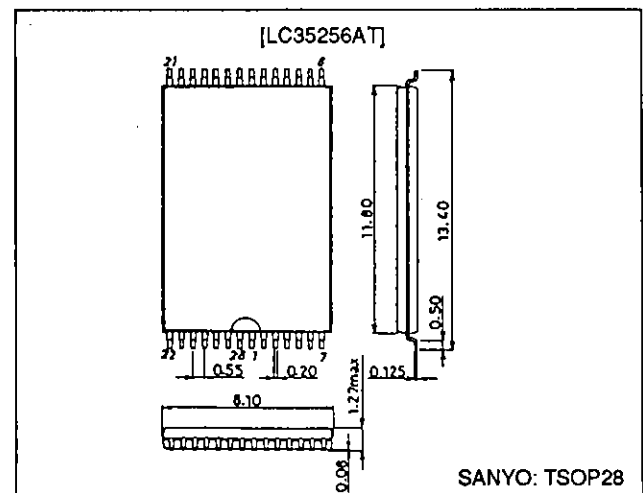
unit: mm

### 3187-SOP28D



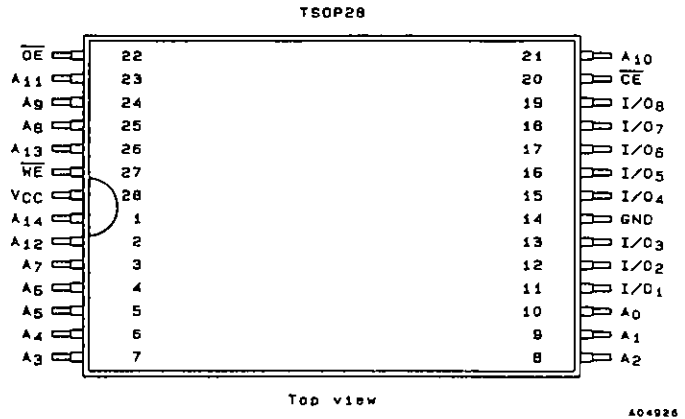
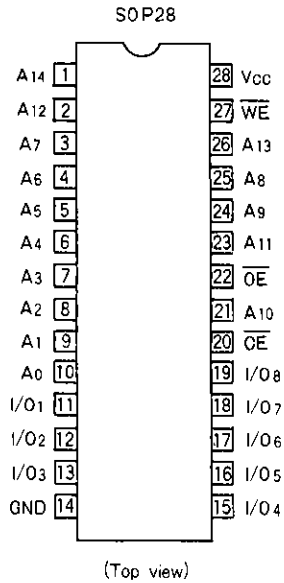
unit: mm

### 3221-TSOP28

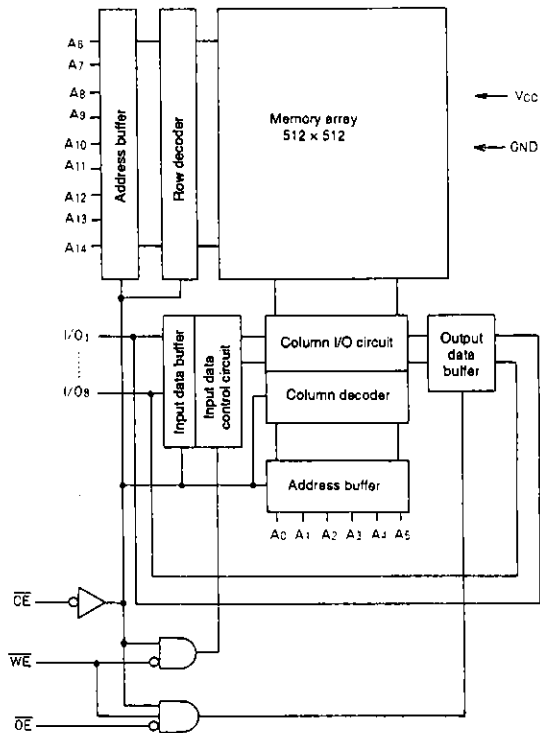
**SANYO Electric Co., Ltd. Semiconductor Business Headquarters**

TOKYO OFFICE Tokyo Bldg., 1-10, 1 Chome, Ueno, Taito-ku, TOKYO, 110 JAPAN

Pin Assignment



Block Diagram



Pin Functions

A <sub>0</sub> to A <sub>14</sub>	Address input
WE	Read/write control input
OE	Output enable input
CE	Chip enable input
I/O <sub>1</sub> to I/O <sub>8</sub>	Data I/O
V <sub>CC</sub> , GND	Power, ground

Truth Table

Mode	CE	OE	WE	I/O	Current drain
Read cycle	L	L	H	Data output	I <sub>CCA</sub>
Write cycle	L	X	L	Data input	I <sub>CCA</sub>
Output disable	L	H	H	High impedance	I <sub>CCA</sub>
Deselect	H	X	X	High impedance	I <sub>CCS</sub>

X: Either a high or low level

## Specifications

### Absolute Maximum Ratings\*1

Parameter	Symbol	Conditions	Ratings	Unit
Maximum supply voltage	$V_{CC\ max}$		4.6	V
Input pin voltage	$V_{IN}$		-0.3*2 to $V_{CC} + 0.3$	V
I/O pins voltage	$V_{IO}$		-0.3 to $V_{CC} + 0.3$	V
Operating temperature	$T_{opr}$		-40 to +85	°C
Storage temperature	$T_{stg}$		-55 to +125	°C

Note: 1. A minimum value of -2.0 V is allowable for pulse widths under 30 ns.  
 2. Permanent device damage may occur if Absolute Maximum Ratings are exceeded. Functional operation should be restricted to DC Allowable Operating Ranges. Exposure to higher than recommended voltages for extended periods of time could affect device reliability.

### Input/Output Capacitances at $T_a = 25^\circ\text{C}$ , $f = 1\ \text{MHz}$

Parameter	Symbol	Conditions	min	typ	max	Unit
I/O pin capacitance	$C_{IO}$	$V_{IO} = 0\ \text{V}$		6	10	pF
Input pin capacitance	$C_I$	$V_{IN} = 0\ \text{V}$		6	10	pF

Note: These values are sampled values, and are not measured for all products.

## 3 V Operation

### DC Recommended Operating Ranges at $T_a = -40\ \text{to}\ +85^\circ\text{C}$ , $V_{CC} = 2.7\ \text{to}\ 3.6\ \text{V}$

Parameter	Symbol	Conditions	min	typ	max	Unit
Supply voltage	$V_{CC}$		2.7	3.0	3.6	V
Input voltage	$V_{IH}$		$0.8\ V_{CC}$		$V_{CC} + 0.3$	V
	$V_{IL}$		-0.3*		$0.2\ V_{CC}$	V

Note: \* A minimum value of -2.0 V is allowable for pulse widths under 30 ns.

### DC Electrical Characteristics at $T_a = -40\ \text{to}\ +85^\circ\text{C}$ , $V_{CC} = 2.7\ \text{to}\ 3.6\ \text{V}$

Parameter	Symbol	Conditions	min	typ*	max	Unit	
Input leakage current	$I_{LI}$	$V_{IN} = 0\ \text{to}\ V_{CC}$	-1.0		+1.0	$\mu\text{A}$	
Output leakage current	$I_{LO}$	$V_{CE} = V_{IH}$ or $V_{OE} = V_{IH}$ or $V_{WE} = V_{IL}$ , $V_{IO} = 0\ \text{to}\ V_{CC}$	-1.0		+1.0	$\mu\text{A}$	
Output high level voltage	$V_{OH1}$	$I_{OH1} = -2.0\ \text{mA}$		$V_{CC} - 0.4$		V	
	$V_{OH2}$	$I_{OH2} = -100\ \mu\text{A}$		$V_{CC} - 0.1$		V	
Output low level voltage	$V_{OL1}$	$I_{OL1} = 2.0\ \text{mA}$			0.4	V	
	$V_{OL2}$	$I_{OL2} = 100\ \mu\text{A}$			0.1	V	
Operating current	CMOS inputs	$I_{CCA2}$	$V_{CE} = V_{IL}$ , $I_{IO} = 0\ \text{mA}$ , $V_{IN} = V_{IH}$ or $V_{IL}$		1.2	$\text{mA}$	
		$I_{CCA3}$	$V_{CE} = V_{IL}$ , $V_{IN} = V_{IH}$ or $V_{IL}$ , $I_{IO} = 0\ \text{mA}$ , duty 100%	min			
	cycle			LC35256AM, AT-10LV	15	18	$\text{mA}$
				LC35256AM, AT-12LV	12	15	
	LC35256AM, AT-15LV	9	12				
Standby current	$V_{CC} - 0.2\ \text{V}$ / $0.2\ \text{V}$ inputs	$I_{CCS1}$	$V_{CE} \geq V_{CC} - 0.2\ \text{V}$ , $V_{IN} = 0\ \text{to}\ V_{CC}$	$T_a \leq 25^\circ\text{C}$	0.01	$\mu\text{A}$	
				$T_a \leq 60^\circ\text{C}$			
				$T_a \leq 85^\circ\text{C}$	0.8		
	CMOS inputs	$I_{CCS2}$	$V_{CE} = V_{IH}$ , $V_{IN} = 0\ \text{to}\ V_{CC}$			0.4	$\text{mA}$

Note: \* Reference values when  $V_{CC} = 3\ \text{V}$  and  $T_a = 25^\circ\text{C}$

### AC Electrical Characteristics at $T_a = -40\ \text{to}\ +85^\circ\text{C}$ , $V_{CC} = 2.7\ \text{to}\ 3.6\ \text{V}$

#### AC test conditions

Input pulse voltage level:  $0.2\ V_{CC}$  to  $0.8\ V_{CC}$   
 Input rise and fall times: 5 ns  
 Input and output timing levels:  $1/2\ V_{CC}$   
 Output load: 30 pF (including the jig capacitance)

## LC35256AM, AT-10LV/12LV/15LV

### Read Cycle

Parameter	Symbol	LC35256AM, AT						Unit
		-10LV		-12LV		-15LV		
		min	max	min	max	min	max	
Read cycle time	$t_{RC}$	100		120		150		ns
Address access time	$t_{AA}$		100		120		150	ns
$\overline{CE}$ access time	$t_{CA}$		100		120		150	ns
$\overline{OE}$ access time	$t_{OA}$		50		60		70	ns
Output hold time	$t_{OH}$	10		10		10		ns
$\overline{CE}$ output enable time	$t_{COE}$	10		10		10		ns
$\overline{OE}$ output enable time	$t_{OOE}$	5		5		5		ns
$\overline{CE}$ output disable time	$t_{COD}$		35		40		40	ns
$\overline{OE}$ output disable time	$t_{OOD}$		30		35		35	ns

### Write Cycle

Parameter	Symbol	LC35256AM, AT						Unit
		-10LV		-12LV		-15LV		
		min	max	min	max	min	max	
Write cycle time	$t_{WC}$	100		120		150		ns
Address setup time	$t_{AS}$	0		0		0		ns
Write pulse width	$t_{WP}$	80		90		100		ns
$\overline{CE}$ setup time	$t_{CW}$	90		100		110		ns
Write recovery time	$t_{WR}$	0		0		0		ns
$\overline{CE}$ write recovery time	$t_{WR1}$	0		0		0		ns
Data setup time	$t_{DS}$	50		55		60		ns
Data hold time	$t_{DH}$	0		0		0		ns
$\overline{CE}$ data hold time	$t_{DH1}$	0		0		0		ns
$\overline{WE}$ output enable time	$t_{WOE}$	5		5		5		ns
$\overline{WE}$ output disable time	$t_{WOD}$		35		40		40	ns

### Battery Operation

#### DC Recommended Operating Ranges at $T_a = -40$ to $+85^\circ\text{C}$ , $V_{CC} = 2.0$ to $3.6$ V

Parameter	Symbol	Conditions	min	typ	max	Unit
Supply voltage	$V_{CC}$		2.0	3.0	3.6	V
Input voltage	$V_{IH}$		$0.8 V_{CC}$		$V_{CC} + 0.3$	V
	$V_{IL}$		$-0.3^*$		$0.2 V_{CC}$	V

Note: \* A minimum value of  $-1.0$  V is allowable for pulse widths under 30 ns.

#### DC Electrical Characteristics at $T_a = -40$ to $+85^\circ\text{C}$ , $V_{CC} = 2.0$ to $3.6$ V

Parameter	Symbol	Conditions	min	typ*	max	Unit		
Input leakage current	$I_{LI}$	$V_{IN} = 0$ to $V_{CC}$	$-1.0$		$+1.0$	$\mu\text{A}$		
Output leakage current	$I_{LO}$	$V_{CE} = V_{IH}$ or $V_{OE} = V_{IH}$ or $V_{WE} = V_{IL}$ , $V_{IO} = 0$ to $V_{CC}$	$-1.0$		$+1.0$	$\mu\text{A}$		
Output high level voltage	$V_{OH1}$	$I_{OH1} = -0.5$ mA	$V_{CC} - 0.2$			V		
	$V_{OH2}$	$I_{OH2} = -100$ $\mu\text{A}$	$V_{CC} - 0.1$			V		
Output low level voltage	$V_{OL1}$	$I_{OL1} = 0.5$ mA			0.2	V		
	$V_{OL2}$	$I_{OL2} = 100$ $\mu\text{A}$			0.1	V		
Operating current	CMOS inputs	$I_{CCA2}$	$V_{CE} = V_{IL}$ , $I_{IO} = 0$ mA, $V_{IN} = V_{IH}$ or $V_{IL}$		1.2	mA		
		$I_{CCA3}$	$V_{CE} = V_{IL}$ , $V_{IN} = V_{IH}$ or $V_{IL}$ , $I_{IO} = 0$ mA, duty 100%	min cycle	LC35256AM, AT-10LV	7.0	10.0	mA
					LC35256AM, AT-12LV	6.0	8.0	
					LC35256AM, AT-15LV	5.0	7.0	
	1 $\mu\text{s}$ cycle		1.5	2.5				
Standby current	$V_{CC} - 0.2$ V/ $0.2$ V inputs	$I_{CCS1}$	$V_{CE} \geq V_{CC} - 0.2$ V, $V_{IN} = 0$ to $V_{CC}$	$T_a \leq 25^\circ\text{C}$	0.01		$\mu\text{A}$	
				$T_a \leq 60^\circ\text{C}$		0.8		
				$T_a \leq 85^\circ\text{C}$		4.0		
	CMOS inputs	$I_{CCS2}$	$V_{CE} = V_{IH}$ , $V_{IN} = 0$ to $V_{CC}$			0.4	mA	

Note: \* Reference values when  $V_{CC} = 3$  V and  $T_a = 25^\circ\text{C}$

## LC35256AM, AT-10LV/12LV/15LV

### AC Electrical Characteristics at $T_a = -40$ to $+85^\circ\text{C}$ , $V_{CC} = 2.0$ to $3.6\text{ V}$

AC test conditions

Input pulse voltage level:  $0.2 V_{CC}$  to  $0.8 V_{CC}$

Input rise and fall times: 10 ns

Input and output timing levels:  $1/2 V_{CC}$

Output load: 30 pF (including the jig capacitance)

#### Read Cycle

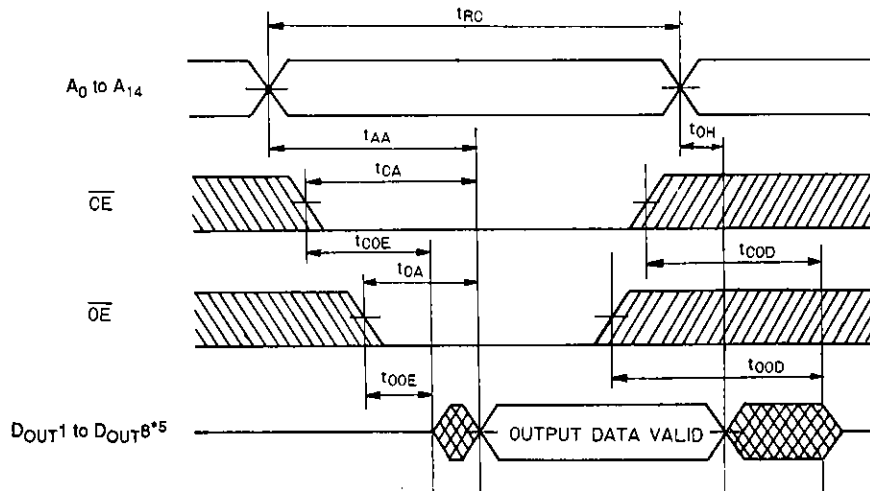
Parameter	Symbol	LC35256AM, AT						Unit
		-10LV		-12LV		-15LV		
		min	max	min	max	min	max	
Read cycle time	$t_{RC}$	200		240		300		ns
Address access time	$t_{AA}$		200		240		300	ns
$\overline{CE}$ access time	$t_{CA}$		200		240		300	ns
$\overline{OE}$ access time	$t_{OA}$		100		120		150	ns
Output hold time	$t_{OH}$	10		10		10		ns
$\overline{CE}$ output enable time	$t_{COE}$	10		10		10		ns
$\overline{OE}$ output enable time	$t_{OOE}$	5		5		5		ns
$\overline{CE}$ output disable time	$t_{COD}$		70		80		80	ns
$\overline{OE}$ output disable time	$t_{OOD}$		60		70		75	ns

#### Write Cycle

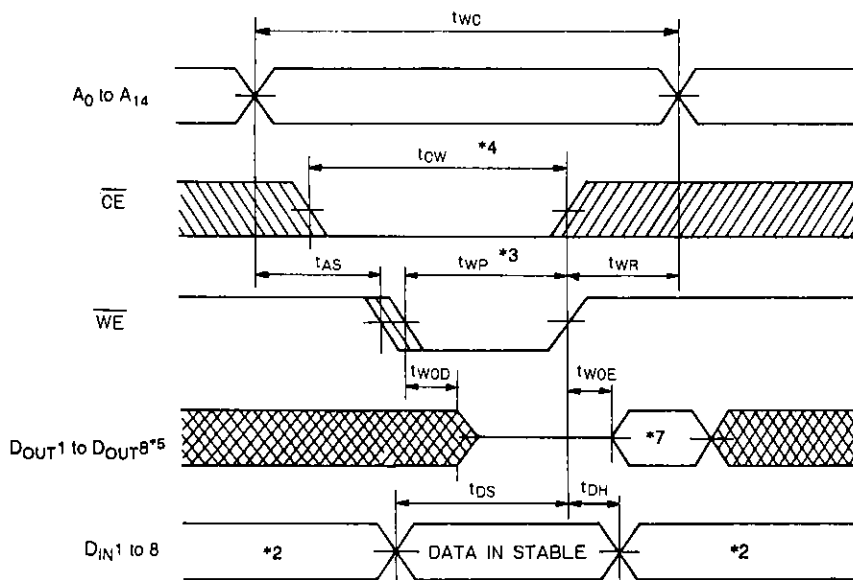
Parameter	Symbol	LC35256AM, AT						Unit
		-10LV		-12LV		-15LV		
		min	max	min	max	min	max	
Write cycle time	$t_{WC}$	200		240		300		ns
Address setup time	$t_{AS}$	0		0		0		
Write pulse width	$t_{WP}$	160		180		200		
$\overline{CE}$ setup time	$t_{CW}$	180		200		220		
Write recovery time	$t_{WR}$	0		0		0		
$\overline{CE}$ write recovery time	$t_{WR1}$	0		0		0		
Data setup time	$t_{DS}$	100		110		120		
Data hold time	$t_{DH}$	0		0		0		
$\overline{CE}$ data hold time	$t_{DH1}$	0		0		0		
$\overline{WE}$ output enable time	$t_{WOE}$	5		5		5		
$\overline{WE}$ output disable time	$t_{WOD}$		70		80		80	

#### Timing Chart

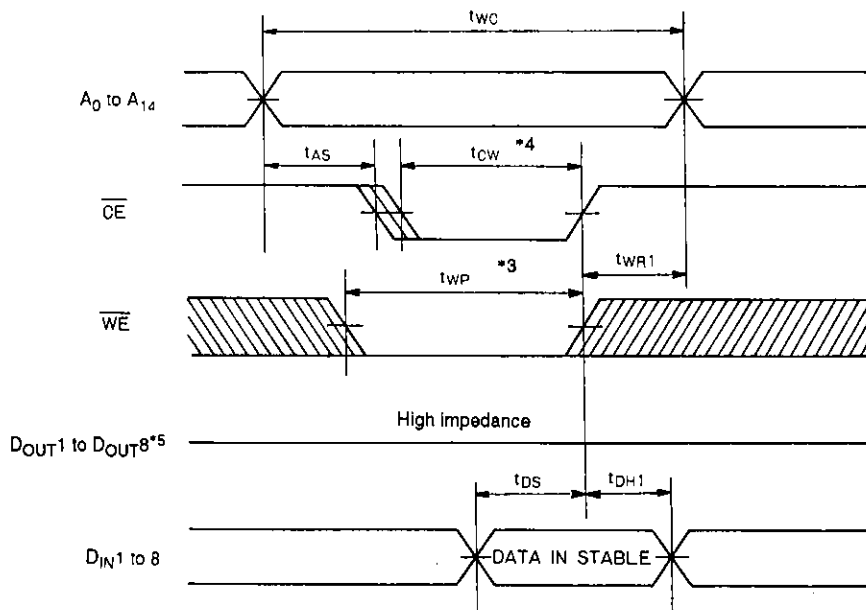
##### Read Cycle\*1



Write Cycle 1 ( $\overline{WE}$  write)\*6



Write Cycle 2 ( $\overline{CE}$  write)\*6



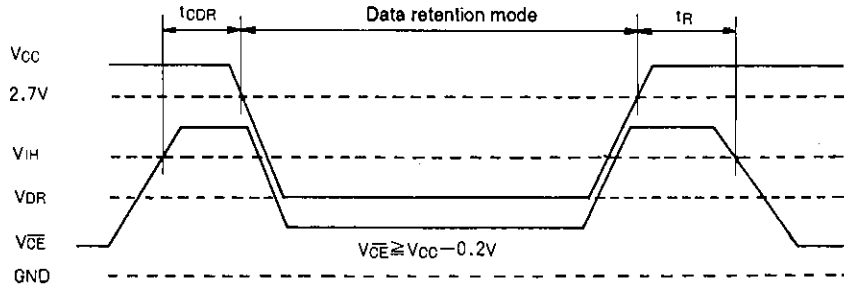
- Note:
1. Set  $\overline{WE}$  high during the read cycle.
  2. An external reverse phase signal must not be applied when  $D_{OUT}$  is in the output state.
  3.  $t_{WP}$  is defined to be the period, when both  $\overline{CE}$  and  $\overline{WE}$  are low, from the fall of  $\overline{WE}$  to the point where the first of either  $\overline{CE}$  or  $\overline{WE}$  rises.
  4.  $t_{CW}$  is defined to be the period, when both  $\overline{CE}$  and  $\overline{WE}$  are low, from the fall of  $\overline{CE}$  to the point where the first of either  $\overline{CE}$  or  $\overline{WE}$  rises.
  5.  $D_{OUT}$  goes to the high impedance state when either  $\overline{OE}$  is high,  $\overline{CE}$  is high, or  $\overline{WE}$  is low.
  6.  $\overline{OE}$  must be set either high or low during the write cycle.
  7.  $D_{OUT}$  has the same phase as the write data for the current write cycle.

**Data Retention Characteristics at Ta = -40 to +85°C**  
**3 V Operation**

Parameter	Symbol	Conditions	min	typ	max	Unit
Data retention supply voltage	V <sub>DR</sub>	V <sub>CE</sub> ≥ V <sub>CC</sub> - 0.2 V	2.0		3.6	V
Chip enable setup time	t <sub>CDR</sub>		0			ns
Chip enable hold time	t <sub>R</sub>		t <sub>RC</sub> *			ns

Note: \* t<sub>RC</sub> is the read cycle time.

**Data Retention Waveform**



A04931

**Battery Operation**

Parameter	Symbol	Conditions	min	typ	max	Unit
Data retention supply voltage	V <sub>DR</sub>	V <sub>CE</sub> ≥ V <sub>CC</sub> - 0.2 V	2.0		3.6	V

- No products described or contained herein are intended for use in surgical implants, life-support systems, aerospace equipment, nuclear power control systems, vehicles, disaster/crime-prevention equipment and the like, the failure of which may directly or indirectly cause injury, death or property loss.
- Anyone purchasing any products described or contained herein for an above-mentioned use shall:
  - ① Accept full responsibility and indemnify and defend SANYO ELECTRIC CO., LTD., its affiliates, subsidiaries and distributors and all their officers and employees, jointly and severally, against any and all claims and litigation and all damages, cost and expenses associated with such use:
  - ② Not impose any responsibility for any fault or negligence which may be cited in any such claim or litigation on SANYO ELECTRIC CO., LTD., its affiliates, subsidiaries and distributors or any of their officers and employees jointly or severally.
- Information (including circuit diagrams and circuit parameters) herein is for example only; it is not guaranteed for volume production. SANYO believes information herein is accurate and reliable, but no guarantees are made or implied regarding its use or any infringements of intellectual property rights or other rights of third parties.

This catalog provides information as of January, 1996. Specifications and information herein are subject to change without notice.