

SANYO

No. 4916A

LC35256A, AS, AM, AT-70/85/10**256K (32768 words × 8 bits) SRAM with \overline{OE}
and \overline{CE} Control Pins**

Overview

The LC35256A, AS, AM, and AT are 32768 words × 8-bits asynchronous silicon gate CMOS SRAMs. These products feature a 6-transistor full-CMOS memory cell, low voltage operation, a low operating current, and an ultra-low standby current.

The LC35256A series product control signal inputs include both an \overline{OE} pin for high-speed access and a chip enable (\overline{CE}) pin device selection; thus the LC35256A series products allow easy memory expansion and are optimal for systems that require low power battery backup.

The ultra low standby current allows capacitor backup to be used.

The 3 volt operation means that the LC35256A series is optimal for use in portable battery-operated systems.

Features

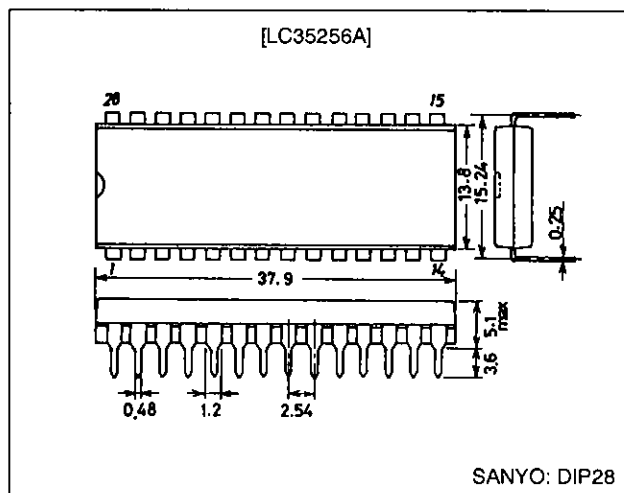
- Supply voltage range: 2.7 to 5.5 V
 - 5 V operation: 5.0 V ±10%
 - 3 V operation: 2.7 to 3.6 V
- Access times
 - 5 V operation
 - LC35256A, AS, AM, AT-70: 70 ns (max.)
 - LC35256A, AS, AM, AT-85: 85 ns (max.)
 - LC35256A, AS, AM, AT-10: 100 ns (max.)
 - 3 V operation
 - LC35256A, AS, AM, AT-70: 200 ns (max.)
 - LC35256A, AS, AM, AT-85: 250 ns (max.)
 - LC35256A, AS, AM, AT-10: 500 ns (max.)
- Standby current
 - 5 V operation: 1.0 μA ($T_a \leq 60^\circ\text{C}$), 5.0 μA ($T_a \leq 85^\circ\text{C}$)
 - 3 V operation: 0.8 μA ($T_a \leq 60^\circ\text{C}$), 4.0 μA ($T_a \leq 85^\circ\text{C}$)
- Operating temperature range: -40 to +85°C
- Data retention supply voltage: 2.0 to 5.5 V
- Input levels
 - 5 V operation: TTL compatible
 - 3 V operation: $V_{CC} - 0.2 \text{ V}/0.2 \text{ V}$
- 28-pin DIP (600 mil) plastic package: LC35256A Series
- 28-pin DIP (300 mil) plastic package: LC35256AS Series
- 28-pin SOP (450 mil) plastic package: LC35256AM Series

- 28-pin TSOP ($8 \times 13.4\text{mm}$) plastic package: LC35256AT
- Shared I/O pins, three-state outputs
- No clock required (completely static circuit)

Package Dimensions

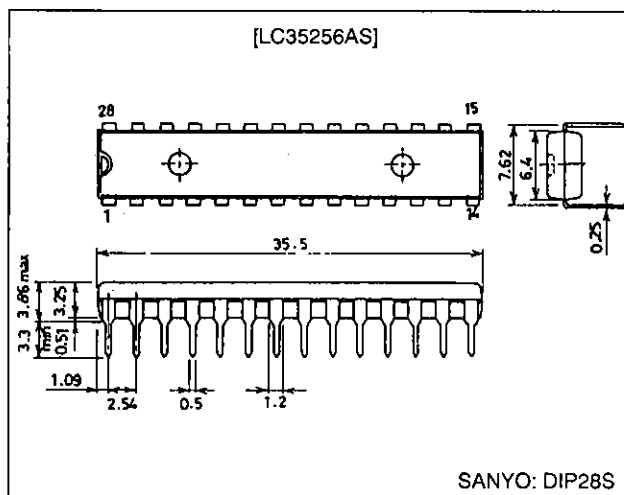
unit: mm

3012A-DIP28



unit: mm

3133-DIP28S

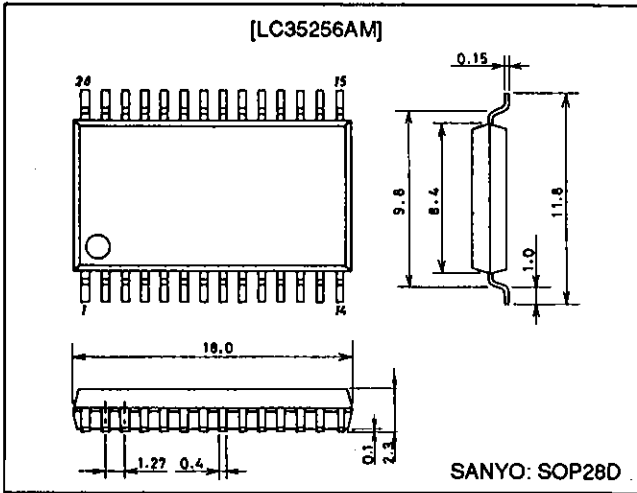
**SANYO Electric Co., Ltd. Semiconductor Business Headquarters**

TOKYO OFFICE Tokyo Bldg., 1-10, 1 Chome, Ueno, Taito-ku, TOKYO, 110 JAPAN

LC35256A, AS, AM, AT-70/85/10

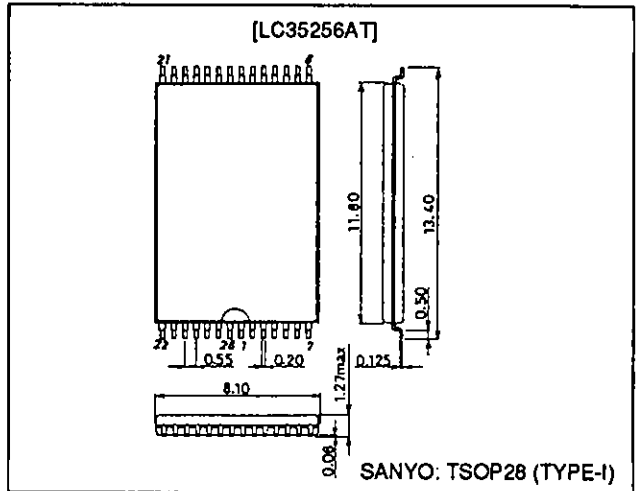
unit: mm

3187-SOP28D

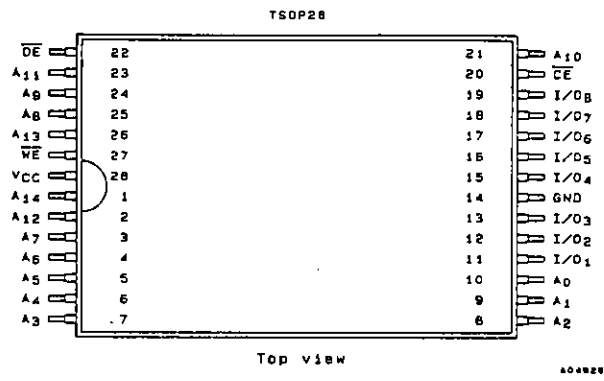
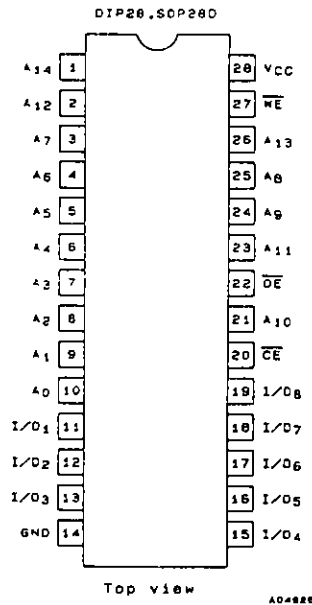


unit: mm

3221-TSOP28



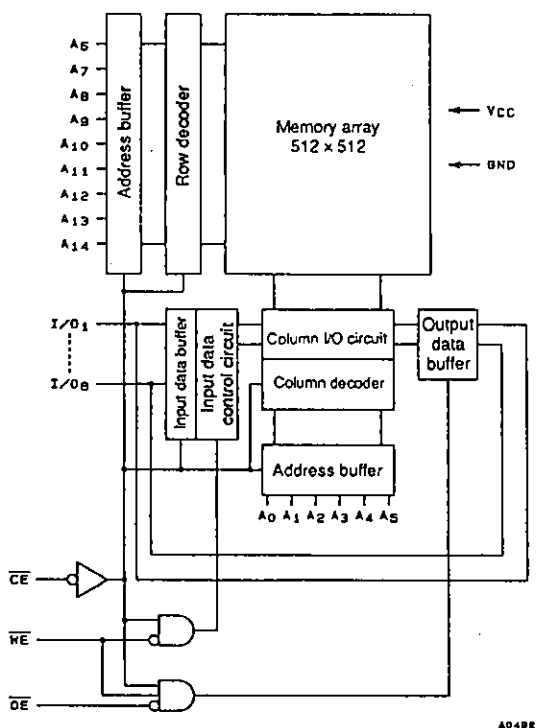
Pin Assignments



Pin Functions

A ₀ to A ₁₄	Address input
WE	Read/write control input
OE	Output enable input
CE	Chip enable input
I/O ₁ to I/O ₈	Data I/O
V _{CC} , GND	Power, ground

Block Diagram



LC35256A, AS, AM, AT-70/85/10

Truth Table

Mode	CE	OE	WE	I/O	Current
Read cycle	L	L	H	Data output	I_{CCA}
Write cycle	L	X	L	Data input	I_{CCA}
Output disable	L	H	H	High impedance	I_{CCA}
Unselected	H	X	X	High impedance	I_{CCS}

X: H or L

Specifications

Absolute Maximum Ratings

Parameter	Symbol	Conditions	Rating	Unit
Maximum supply voltage	$V_{CC\ max}$		7.0	V
Input pin voltage	V_{IN}		-0.3* to $V_{CC} + 0.3$	V
I/O pin voltage	V_{IO}		-0.3 to $V_{CC} + 0.3$	V
Operating temperature	T_{opr}		-40 to +85	°C
Storage temperature	T_{stg}		-55 to +125	°C

Note: * A minimum value of -3.0 V is allowable for pulse widths under 30 ns.

Input/Output Capacitances at $T_a = 25^\circ\text{C}$, $f = 1\ \text{MHz}$

Parameter	Symbol	Conditions	min	typ	max	Unit
I/O pin capacitance	C_{IO}	$V_{IO} = 0\ \text{V}$		6	10	pF
Input pin capacitance	C_{IN}	$V_{IN} = 0\ \text{V}$		6	10	pF

Note: * These values are sampled values, and are not measured for all products.

5 V Operation

DC Recommended Operating Ranges at $T_a = -40$ to $+85^\circ\text{C}$, $V_{CC} = 4.5$ to $5.5\ \text{V}$

Parameter	Symbol	Conditions	min	typ	max	Unit
Supply voltage	V_{CC}		4.5	5.0	5.5	V
Input voltage	V_{IH}		2.2		$V_{CC} + 0.3$	V
	V_{IL}		-0.3*		0.8	V

Note: * A minimum value of -3.0V is allowable for pulse widths under 30 ns.

DC Electrical Characteristics at $T_a = -40$ to $+85^\circ\text{C}$, $V_{CC} = 4.5$ to $5.5\ \text{V}$

Parameter	Symbol	Conditions	min	typ*	max	Unit
Input leakage current	I_{LI}	$V_{IN} = 0$ to V_{CC}	-1.0		+1.0	μA
Output leakage current	I_{LO}	$V_{CE} = V_{IH}$ or $V_{OE} = V_{IH}$ or $V_{WE} = V_{IL}$, $V_{IO} = 0$ to V_{CC}	-1.0		+1.0	μA
Output high level voltage	V_{OH}	$I_{OH} = -1.0\ \text{mA}$	2.4			V
Output low level voltage	V_{OL}	$I_{OL} = 2.0\ \text{mA}$			0.4	V
Operating current	I_{CCA2}	$V_{CE} = V_{IL}$, $I_{IO} = 0\ \text{mA}$, $V_{IN} = V_{IH}$ or V_{IL}			5.0	mA
	I_{CCA3}	$V_{CE} = V_{IL}$, $V_{IN} = V_{IH}$ or V_{IL} , $I_{IO} = 0\ \text{mA}$, duty 100%	min cycle	LC35256A, AS, AM, AT-70	35	40
			1 μs cycle	LC35256A, AS, AM, AT-85	30	35
			LC35256A, AS, AM, AT-10	25	30	
				3.5	6.0	
Standby current	I_{CCS1}	$V_{CE} \geq V_{CC} - 0.2\ \text{V}$, $V_{IN} = 0$ to V_{CC}	$T_a \leq 25^\circ\text{C}$	0.01		μA
			$T_a \leq 60^\circ\text{C}$			
	$T_a \leq 85^\circ\text{C}$		1.0			
	I_{CCS2}	$V_{CE} = V_{IH}$, $V_{IN} = 0$ to V_{CC}			1.0	mA

Note: * Reference values when $V_{CC} = 5\ \text{V}$ and $T_a = 25^\circ\text{C}$.

LC35256A, AS, AM, AT-70/85/10

AC Electrical Characteristics at $T_a = -40$ to $+85^\circ\text{C}$, $V_{CC} = 4.5$ to 5.5 V

AC test conditions

Input pulse voltage level: 0.6 to 2.4 V

Input rise and fall times: 5 ns

Input and output timing level: 1.5 V

Output load LC35256A, AS, AM, AT-70: 30 pF + 1 TTL gate (including the jig capacitance)

LC35256A, AS, AM, AT-85/10: 100 pF + 1 TTL gate (including the jig capacitance)

Read Cycle

Parameter	Symbol	LC35256A, AS, AM, AT						Unit
		-70		-85		-10		
		min	max	min	max	min	max	
Read cycle time	t_{RC}	70		85		100		ns
Address access time	t_{AA}		70		85		100	ns
\overline{CE} access time	t_{CA}		70		85		100	ns
\overline{OE} access time	t_{OA}		35		45		50	ns
Output hold time	t_{OH}	10		10		10		ns
\overline{CE} output enable time	t_{COE}	10		10		10		ns
\overline{OE} output enable time	t_{OOE}	5		5		5		ns
\overline{CE} output disable time	t_{COD}		30		30		30	ns
\overline{OE} output disable time	t_{OOD}		25		25		25	ns

Write Cycle

Parameter	Symbol	LC35256A, AS, AM, AT						Unit
		-70		-85		-10		
		min	max	min	max	min	max	
Write cycle time	t_{WC}	70		85		100		ns
Address setup time	t_{AS}	0		0		0		ns
Write pulse width	t_{WP}	55		55		60		ns
\overline{CE} setup time	t_{CW}	60		65		70		ns
Write recovery time	t_{WR}	0		0		0		ns
\overline{CE} write recovery time	t_{WR1}	0		0		0		ns
Data setup time	t_{DS}	35		40		40		ns
Data hold time	t_{DH}	0		0		0		ns
\overline{CE} data hold time	t_{DH1}	0		0		0		ns
\overline{WE} output enable time	t_{WOE}	5		5		5		ns
\overline{WE} output disable time	t_{WOD}		30		30		30	ns

3 V Operation

DC Recommended Operating Ranges at $T_a = -40$ to $+85^\circ\text{C}$, $V_{CC} = 2.7$ to 3.6 V

Parameter	Symbol	Conditions	min	typ	max	Unit
Supply voltage	V_{CC}		2.7	3.0	3.6	V
Input voltage	V_{IH}		$V_{CC} - 0.2$		$V_{CC} + 0.3$	V
	V_{IL}		-0.3*		0.2	V

Note: * A minimum value of -2.0 V is allowable for pulse widths under 30 ns.

LC35256A, AS, AM, AT-70/85/10

DC Electrical Characteristics at $T_a = -40$ to $+85^\circ\text{C}$, $V_{CC} = 2.7$ to 3.6 V

Parameter	Symbol	Conditions	min	typ*	max	Unit		
Input leakage current	I_{LI}	$V_{IN} = 0$ to V_{CC}	-1.0		+1.0	μA		
Output leakage current	I_{LO}	$V_{CE} = V_{IH}$ or $V_{OE} = V_{IH}$ or $V_{WE} = V_{IL}$, $V_{IO} = 0$ to V_{CC}	-1.0		+1.0	μA		
Output high level voltage	V_{OH}	$I_{OH} = -0.5$ mA	$V_{CC} - 0.2$			V		
Output low level voltage	V_{OL}	$I_{OL} = 1.0$ mA			0.2	V		
Operating current	$V_{CC} - 0.2$ V/ 0.2 V inputs	I_{CCA4}	$V_{CE} = V_{IL}$, $V_{IN} = V_{IH}$ or V_{IL} , $I_{IO} = 0$ mA, duty 100%	min cycle	LC35256A, AS, AM, AT-70	7	10	mA
					LC35256A, AS, AM, AT-85	6	8	
					LC35256A, AS, AM, AT-10	3	5	
			1 μs cycle			1.5	2.5	
Standby current	$V_{CC} - 0.2$ V/ 0.2 V inputs	I_{CCS1}	$V_{CE} \geq V_{CC} - 0.2$ V, $V_{IN} = 0$ to V_{CC}	$T_a \leq 25^\circ\text{C}$		0.01		μA
				$T_a \leq 60^\circ\text{C}$			0.8	
				$T_a \leq 85^\circ\text{C}$			4.0	

Note: Reference values when $V_{CC} = 3$ V and $T_a = 25^\circ\text{C}$.

AC Electrical Characteristics at $T_a = -40$ to $+85^\circ\text{C}$, $V_{CC} = 2.7$ to 3.6 V

AC test conditions

Input pulse voltage level: 0.2 V to $V_{CC} - 2.0$ V

Input rise and fall times: 10 ns

Input and output timing level: 1.5 V

Output load LC35256A, AS, AM, AT-70: 30 pF (including the jig capacitance)

LC35256A, AS, AM, AT-85/10: 100 pF (including the jig capacitance)

Read Cycle

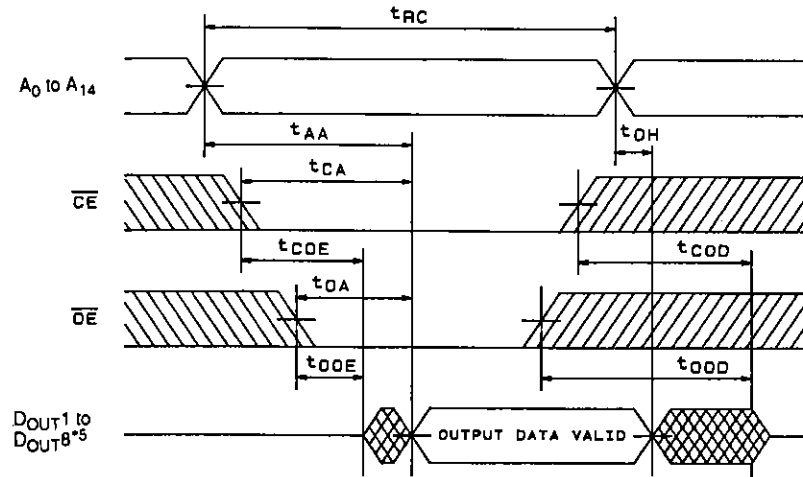
Parameter	Symbol	LC35256A, AS, AM, AT						Unit
		-70		-85		-10		
		min	max	min	max	min	max	
Read cycle time	t_{RC}	200		250		500		ns
Address access time	t_{AA}		200		250		500	ns
$\overline{\text{CE}}$ access time	t_{CA}		200		250		500	ns
$\overline{\text{OE}}$ access time	t_{OA}		100		130		250	ns
Output hold time	t_{OH}	20		20		20		ns
$\overline{\text{CE}}$ output enable time	t_{COE}	20		20		20		ns
$\overline{\text{OE}}$ output enable time	t_{OOE}	10		10		10		ns
$\overline{\text{CE}}$ output disable time	t_{COD}		60		80		120	ns
$\overline{\text{OE}}$ output disable time	t_{OOD}		50		70		100	ns

Write Cycle

Parameter	Symbol	LC35256A, AS, AM, AT						Unit
		-70		-85		-10		
		min	max	min	max	min	max	
Write cycle time	t_{WC}	200		250		500		ns
Address setup time	t_{AS}	0		0		0		ns
Write pulse width	t_{WP}	140		160		200		ns
$\overline{\text{CE}}$ setup time	t_{CW}	150		180		250		ns
Write recovery time	t_{WR}	0		0		0		ns
$\overline{\text{CE}}$ write recovery time	t_{WR1}	0		0		0		ns
Data setup time	t_{DS}	130		150		180		ns
Data hold time	t_{DH}	0		0		0		ns
$\overline{\text{CE}}$ data hold time	t_{DH1}	0		0		0		ns
$\overline{\text{WE}}$ output enable time	t_{WOE}	10		10		10		ns
$\overline{\text{WE}}$ output disable time	t_{WOD}		60		80		120	ns

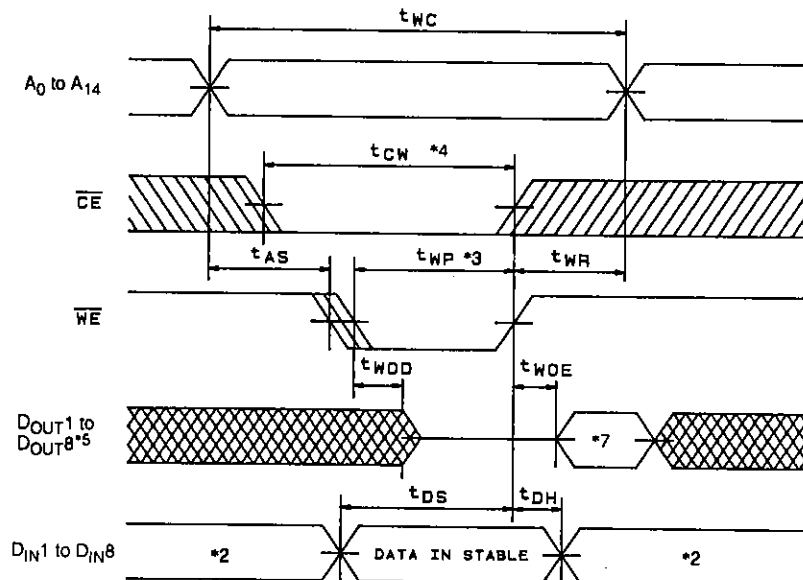
Timing Chart

Read Cycle*1



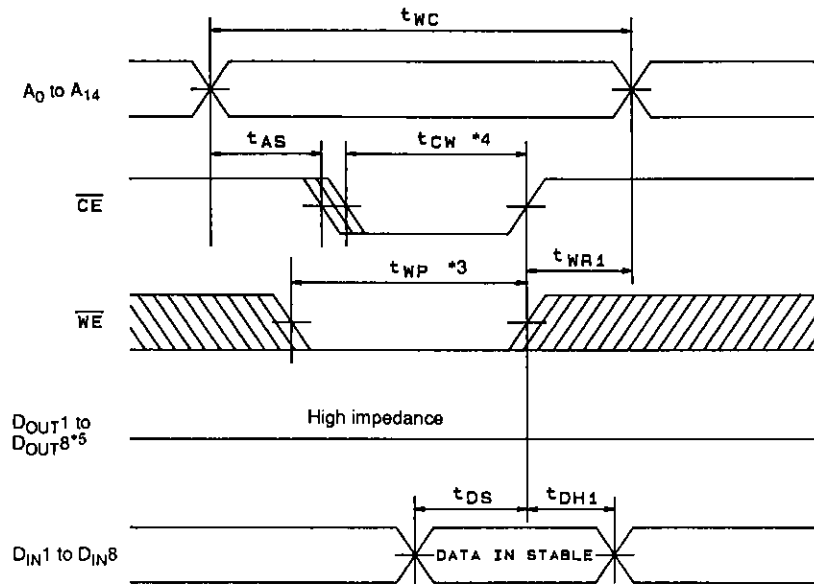
A04928

Write Cycle 1 (\overline{WE} write)*6



A04928

Write Cycle 2 (\overline{CE} write)*6



A04930

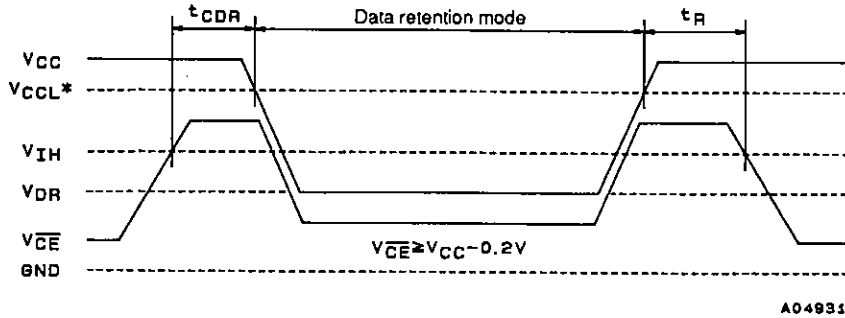
- Note:
1. Set \overline{WE} high during the read cycle.
 2. External reverse phase signals must not be applied when D_{OUT} is in the output state.
 3. The t_{WP} period is defined to be the period where both \overline{CE} and \overline{WE} are low. In particular, it is the period between the point where \overline{WE} falls and the rise of \overline{CE} or \overline{WE} , whichever rises first.
 4. The t_{CW} period is defined to be the period where both \overline{CE} and \overline{WE} are low. In particular, it is the period between the point where \overline{CE} falls and the rise of \overline{CE} or \overline{WE} , whichever rises first.
 5. D_{OUT} goes to the high impedance state in any of the following conditions: when \overline{OE} is high, when \overline{CE} is high, or when \overline{WE} is low.
 6. \overline{OE} must be held either high or low during the write cycle.
 7. D_{OUT} has the same phase as the write data for this write cycle.

Data Retention Characteristics at $T_a = -40$ to $+85^\circ\text{C}$

Parameter	Symbol	Conditions	min	typ*1	max	Unit
Data retention supply voltage	V_{DR}	$V_{\overline{CE}} \geq V_{CC} - 0.2\text{ V}$	2.0		5.5	V
Data retention supply current	I_{CCDR}	$V_{CC} = 3.0\text{ V}, V_{\overline{CE}} \geq V_{CC} - 0.2\text{ V}$	$T_a \leq 25^\circ\text{C}$	0.01		μA
			$T_a \leq 60^\circ\text{C}$		0.7	
			$T_a \leq 85^\circ\text{C}$		3.5	
Chip enable setup time	t_{CDR}		0			ns
Chip enable hold time	t_R		t_{RC} *2			ns

- Note:
1. Reference values when $V_{CC} = 3\text{ V}$ and $T_a = 25^\circ\text{C}$.
 2. t_{RC} : read cycle time

Data Retention Waveforms



* V_{CCL} { 5 V operation: 4.5 V
3 V operation: 2.7 V

- No products described or contained herein are intended for use in surgical implants, life-support systems, aerospace equipment, nuclear power control systems, vehicles, disaster/crime-prevention equipment and the like, the failure of which may directly or indirectly cause injury, death or property loss.
- Anyone purchasing any products described or contained herein for an above-mentioned use shall:
 - ① Accept full responsibility and indemnify and defend SANYO ELECTRIC CO., LTD., its affiliates, subsidiaries and distributors and all their officers and employees, jointly and severally, against any and all claims and litigation and all damages, cost and expenses associated with such use;
 - ② Not impose any responsibility for any fault or negligence which may be cited in any such claim or litigation on SANYO ELECTRIC CO., LTD., its affiliates, subsidiaries and distributors or any of their officers and employees jointly or severally.
- Information (including circuit diagrams and circuit parameters) herein is for example only; it is not guaranteed for volume production. SANYO believes information herein is accurate and reliable, but no guarantees are made or implied regarding its use or any infringements of intellectual property rights or other rights of third parties.

This catalog provides information as of May, 1996. Specifications and information herein are subject to change without notice.