



LC321667BJ, BM, BT-70/80

1 MEG (65536 Words × 16 Bits) DRAM EDO Page Mode Byte Write

Preliminary

Overview

The LC321667BJ series is a CMOS dynamic RAM operating on a single 5 V power source and having a 65536 words × 16 bits configuration. Equipped with large capacity capabilities, high speed transfer rates and low power dissipation, this series is suited for a wide variety of applications ranging from computer main memory and expansion memory to commercial equipment.

Address input utilizes a multiplexed address bus which permits it to be enclosed in a compact plastic package of 40-pin SOJ. Refresh rates are within 4 ms with 256 row address (A0 to A7) selection and support Row Address Strobe ($\overline{\text{RAS}}$)-only refresh, Column Address Strobe ($\overline{\text{CAS}}$)-before- $\overline{\text{RAS}}$ refresh and hidden refresh settings. There are functions such as Extended Data Out (EDO) page mode, read-modify-write and byte write.

Features

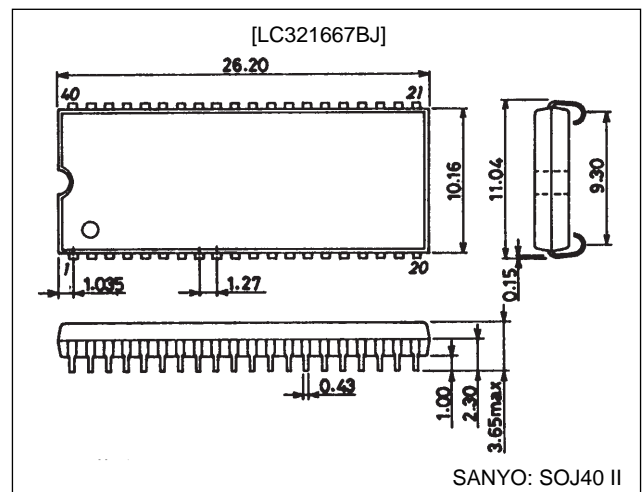
- 65536 words × 16 bits configuration.
- Single 5 V ± 10% power supply.
- All input and output (I/O) TTL compatible.
- Supports EDO page mode, read-modify-write and byte write.
- Supports output buffer control using early write and Output Enable ($\overline{\text{OE}}$) control.

- 4 ms refresh using 256 refresh cycles.
- Supports $\overline{\text{RAS}}$ -only refresh, $\overline{\text{CAS}}$ -before- $\overline{\text{RAS}}$ refresh and hidden refresh.
- Packages
SOJ 40-pin plastic package (400 mil): LC321667BJ
SOP 40-pin plastic package (525 mil): LC321667BM
TSOP 44-pin plastic package (400 mil): LC321667BT
- $\overline{\text{RAS}}$ access time/column address access time/ $\overline{\text{CAS}}$ access time/cycle time/power dissipation.

Package Dimensions

unit: mm

3200-SOJ40 II



Parameter		LC321667BJ, BM, BT-70	LC321667BJ, BM, BT-80
RAS access time		70 ns	80 ns
Column address access time		40 ns	45 ns
CAS access time		25 ns	25 ns
Cycle time		125 ns	135 ns
Power consumption (max)	During operation	688 mW	633 mW
	During standby	5.5 mW (CMOS level)/11 mW (TTL level)	

■ Any and all SANYO products described or contained herein do not have specifications that can handle applications that require extremely high levels of reliability, such as life-support systems, aircraft's control systems, or other applications whose failure can be reasonably expected to result in serious physical and/or material damage. Consult with your SANYO representative nearest you before using any SANYO products described or contained herein in such applications.

■ SANYO assumes no responsibility for equipment failures that result from using products at values that exceed, even momentarily, rated values (such as maximum ratings, operating condition ranges, or other parameters) listed in products specifications of any and all SANYO products described or contained herein.

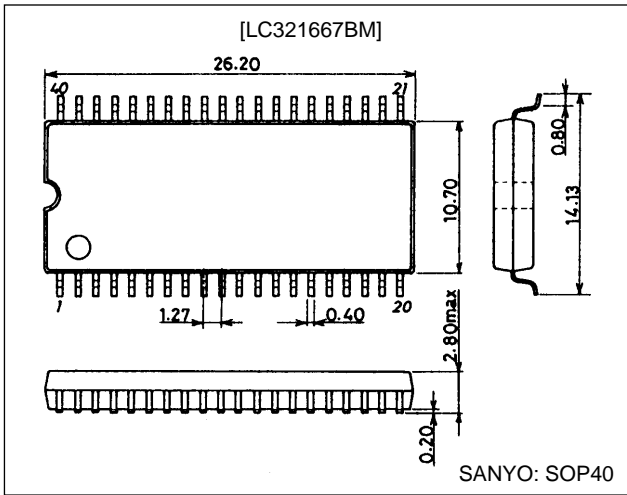
SANYO Electric Co., Ltd. Semiconductor Business Headquarters

TOKYO OFFICE Tokyo Bldg., 1-10, 1 Chome, Ueno, Taito-ku, TOKYO, 110-8534 JAPAN

Package Dimensions

unit: mm

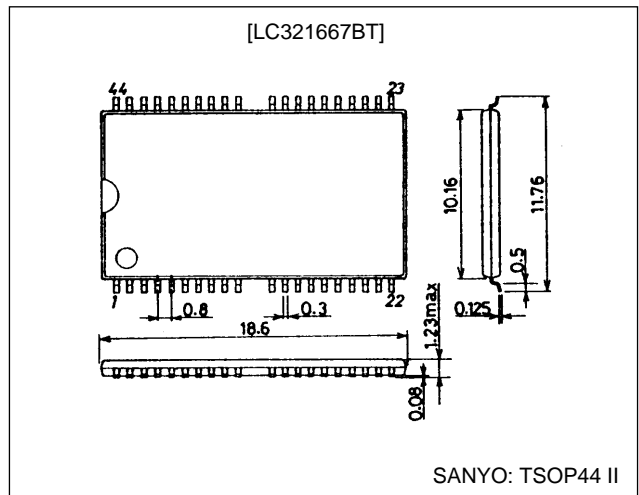
3195-SOP40



Package Dimensions

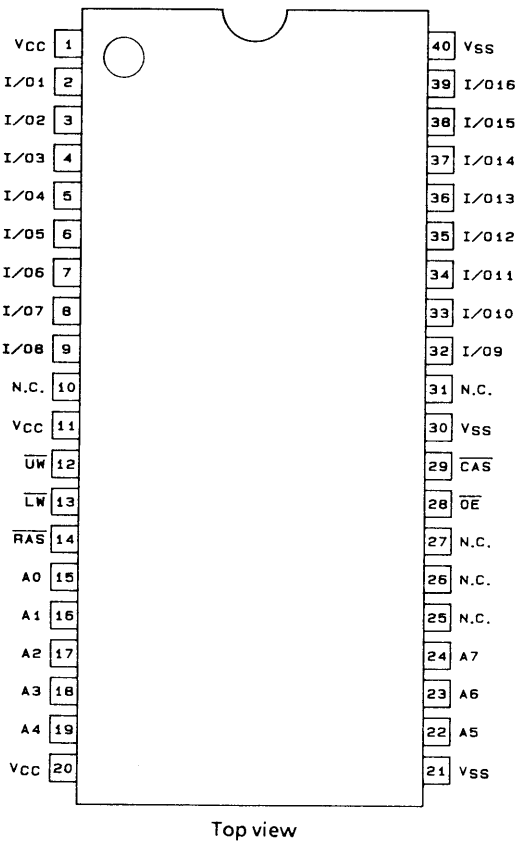
unit: mm

3207-TSOP44 II



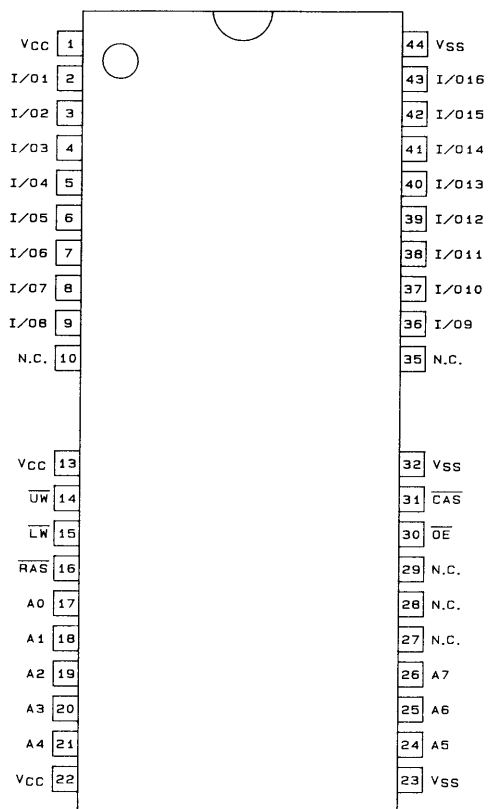
Pin Assignments

SOJ40, SOP40



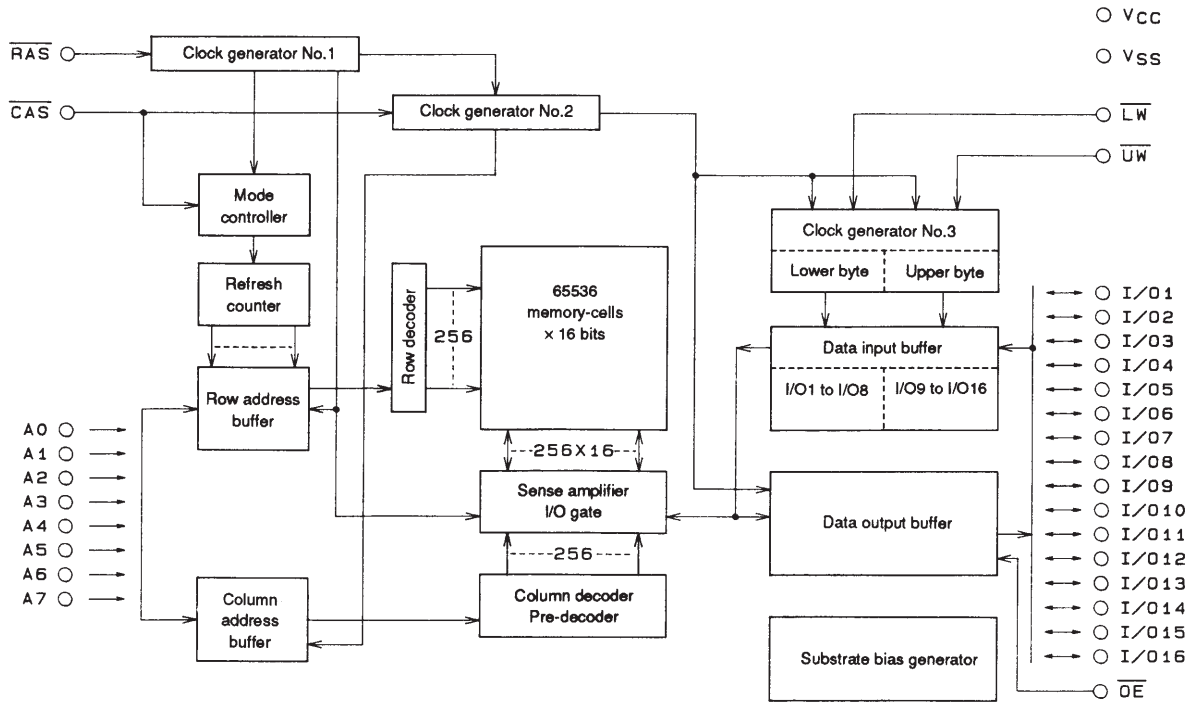
A02123

TSOP44



A02943

Block Diagram



A02125

Specifications

Absolute Maximum Ratings

Parameter	Symbol	Ratings	Unit	Note
Maximum supply voltage	$V_{CC\ max}$	-1.0 to +7.0	V	1
Input voltage	V_{IN}	-1.0 to +7.0	V	1
Output voltage	V_{OUT}	-1.0 to +7.0	V	1
Operating temperature range	T_{opr}	0 to +70	°C	1
Storage temperature range	T_{stg}	-55 to +150	°C	1
Allowable power dissipation	LC321667BJ, BM-70/80	800	mW	1
	LC321667BT-70/80	700		
Output short-circuit current	I_{OUT}	50	mA	1

Note: 1. Stresses greater than the above listed maximum values may result in damage to the device.

DC Recommended Operating Ranges at $T_a = 0$ to $+70^\circ\text{C}$

Parameter	Symbol	min	typ	max	Unit	Note
Power supply voltage	V_{CC}	4.5	5.0	5.5	V	2
Input high level voltage	V_{IH}	2.4		6.5	V	2
Input low level voltage (A0 to A7, RAS, CAS, \overline{UW} , \overline{LW} , \overline{OE})	V_{IL}	-1.0*1		+0.8	V	2
Input low level voltage (I/O1 to I/O16)	V_{IL}	-0.5*1		+0.8	V	2

Note: 2. All voltages are referenced to V_{SS} .

A bypass capacitor of about 0.1 μF should be connected between V_{CC} and V_{SS} of the device.

*1: -2.0 V when pulse width is less than 20 ns.

LC321667BJ, BM, BT-70/80

DC Electrical Characteristics at $T_a = 0$ to $+70^\circ\text{C}$, $V_{CC} = 5\text{ V} \pm 10\%$

Parameter	Symbol	Conditions	LC321667 BJ, BM, BT-70		LC321667 BJ, BM, BT-80		Unit	Note
			min	max	min	max		
Operating current (Average current during operation)	I_{CC1}	$\overline{\text{RAS}}, \overline{\text{CAS}}$, address cycling: $t_{RC} = t_{RC\ min}$		125		115	mA	3, 4, 5
Standby current	I_{CC2}	$\overline{\text{RAS}} = \overline{\text{CAS}} = V_{IH}$		2		2	mA	
$\overline{\text{RAS}}$ -only refresh current	I_{CC3}	$\overline{\text{RAS}}$ cycling, $\overline{\text{CAS}} = V_{IH}$: $t_{RC} = t_{RC\ min}$		125		115	mA	3, 5
EDO page mode current	I_{CC4}	$\overline{\text{RAS}} = V_{IL}$, $\overline{\text{CAS}}$, address cycling: $t_{PC} = t_{PC\ min}$		110		100	mA	3, 4, 5
Standby current	I_{CC5}	$\overline{\text{RAS}} = \overline{\text{CAS}} = V_{CC} - 0.2\text{ V}$		1		1	mA	
$\overline{\text{CAS}}$ -before- $\overline{\text{RAS}}$ refresh current	I_{CC6}	$\overline{\text{RAS}}, \overline{\text{CAS}}$ cycling: $t_{RC} = t_{RC\ min}$		125		115	mA	3
Input leakage current	I_{IL}	$0\text{ V} \leq V_{IN} \leq 6.5\text{ V}$, pins other than test pin = 0 V	-10	+10	-10	+10	μA	
Output leakage current	I_{OL}	D_{OUT} disable, $0\text{ V} \leq V_{OUT} \leq 5.5\text{ V}$	-10	+10	-10	+10	μA	
Output high level voltage	V_{OH}	$I_{OUT} = -2.5\text{ mA}$	2.4		2.4		V	
Output low level voltage	V_{OL}	$I_{OUT} = 2.1\text{ mA}$		0.4		0.4	V	

Note: 3. All current values are measured at minimum cycle rate. Since current flows immoderately, if cycle time is longer than shown here, current value becomes smaller.

4. I_{CC1} and I_{CC4} are dependent on output loads. Maximum values for I_{CC1} and I_{CC4} represent values with output open.

5. Address change is less than or equal to one time during $\overline{\text{RAS}} = V_{IL}$. Concerning I_{CC4} , it is less than or equal to one time during 1 cycle (t_{PC}).

AC Electrical Characteristics at $T_a = 0$ to $+70^\circ\text{C}$, $V_{CC} = 5\text{ V} \pm 10\%$ (note 6, 7 and 8)

Parameter	Symbol	LC321667BJ, BM, BT-70		LC321667BJ, BM, BT-80		Unit	Note
		min	max	min	max		
Random read or write cycle time	t_{RC}	125		135		ns	
Read-write/read-modify-write cycle time	t_{RWC}	170		180		ns	
EDO page mode cycle time	t_{PC}	35		40		ns	
EDO page mode read-write/read-modify-write cycle time	t_{PRWC}	85		90		ns	
$\overline{\text{RAS}}$ access time	t_{RAC}		70		80	ns	9, 14, 15
$\overline{\text{CAS}}$ access time	t_{CAC}		25		25	ns	9, 14
Column address access time	t_{AA}		40		45	ns	9, 15
$\overline{\text{CAS}}$ precharge access time	t_{CPA}		45		50	ns	9
Output low-impedance time from $\overline{\text{CAS}}$ low	t_{CLZ}	0		0		ns	9
Output buffer turn-off delay time from $\overline{\text{RAS}}$ or $\overline{\text{CAS}}$	t_{OFF}	0	20	0	20	ns	10, 17
Rise and fall time	t_T	2.5	50	2.5	50	ns	
$\overline{\text{RAS}}$ precharge time	t_{RP}	45		45		ns	
$\overline{\text{RAS}}$ pulse width	t_{RAS}	70	10000	80	10000	ns	
$\overline{\text{RAS}}$ pulse width for EDO page mode cycle only	t_{RASP}	70	100000	80	100000	ns	
$\overline{\text{RAS}}$ hold time	t_{RSH}	20		25		ns	
$\overline{\text{CAS}}$ hold time	t_{CSH}	60		70		ns	
$\overline{\text{CAS}}$ pulse width	t_{CAS}	20	10000	25	10000	ns	
$\overline{\text{RAS}}$ to $\overline{\text{CAS}}$ delay time	t_{RCD}	20	45	20	55	ns	14
$\overline{\text{RAS}}$ to column address delay time	t_{RAD}	15	30	15	35	ns	15
$\overline{\text{CAS}}$ to $\overline{\text{RAS}}$ precharge time	t_{CRP}	10		10		ns	
$\overline{\text{CAS}}$ precharge time	t_{CP}	10		10		ns	
Row address setup time	t_{ASR}	0		0		ns	
Row address hold time	t_{RAH}	10		10		ns	
Column address setup time	t_{ASC}	0		0		ns	
Column address hold time	t_{CAH}	15		15		ns	
Column address hold time referenced to $\overline{\text{RAS}}$	t_{AR}	50		55		ns	
Column address to $\overline{\text{RAS}}$ lead time	t_{RAL}	25		30		ns	
Read command setup time	t_{RCS}	0		0		ns	
Read command hold time referenced to $\overline{\text{CAS}}$	t_{RCH}	0		0		ns	11
Read command hold time referenced to $\overline{\text{RAS}}$	t_{RRH}	0		0		ns	11
Write command hold time	t_{WCH}	15		15		ns	
Write command hold time referenced to $\overline{\text{RAS}}$	t_{WCR}	50		55		ns	
Write command pulse width	t_{WP}	15		15		ns	

Continued on next page.

LC321667BJ, BM, BT-70/80

Continued from preceding page.

Parameter	Symbol	LC321667BJ, BM, BT-70		LC321667BJ, BM, BT-80		Unit	Note
		min	max	min	max		
Write command to $\overline{\text{RAS}}$ lead time	t_{RWL}	20		20		ns	
Write command to $\overline{\text{CAS}}$ lead time	t_{CWL}	20		20		ns	
Data input setup time	t_{DS}	0		0		ns	12
Data input hold time	t_{DH}	15		15		ns	12
Data input hold time referenced to $\overline{\text{RAS}}$	t_{DHR}	50		55		ns	
Refresh time	t_{REF}		4		4	ms	
Write command setup time	t_{WCS}	0		0		ns	13
$\overline{\text{CAS}}$ to $\overline{\text{UW}}$ or $\overline{\text{LW}}$ delay time	t_{CWD}	45		45		ns	13
$\overline{\text{RAS}}$ to $\overline{\text{UW}}$ or $\overline{\text{LW}}$ delay time	t_{RWD}	90		100		ns	13
Column address to $\overline{\text{UW}}$ or $\overline{\text{LW}}$ delay time	t_{AWD}	60		65		ns	13
CAS precharge $\overline{\text{UW}}$ or $\overline{\text{LW}}$ delay time for 70 EDO page mode cycle only	t_{CPWD}	65		70		ns	13
$\overline{\text{CAS}}$ setup time for CAS-before-RAS	t_{CSR}	10		10		ns	
$\overline{\text{CAS}}$ hold time for CAS-before-RAS	t_{CHR}	10		10		ns	
$\overline{\text{RAS}}$ precharge $\overline{\text{CAS}}$ active time	t_{RPC}	10		10		ns	
$\overline{\text{CAS}}$ precharge time for CAS-before-RAS counter test	t_{CPT}	40		40		ns	
$\overline{\text{RAS}}$ hold time referenced to $\overline{\text{OE}}$	t_{ROH}	15		15		ns	
$\overline{\text{OE}}$ access time	t_{OEA}		25		25	ns	9
$\overline{\text{OE}}$ delay time	t_{OED}	15		15		ns	
$\overline{\text{OE}}$ output buffer turn-off delay time	t_{OEZ}	0	15	0	15	ns	10
$\overline{\text{OE}}$ command hold time	t_{OEH}	20		20		ns	
$\overline{\text{OE}}$ setup time to $\overline{\text{CAS}}$ high	t_{OCH}	5		5		ns	16
$\overline{\text{OE}}$ hold time from $\overline{\text{CAS}}$ high	t_{CHO}	10		10		ns	16
$\overline{\text{OE}}$ command pulse width	t_{OEP}	10		10		ns	
Data output hold time	t_{DOH}	5		5		ns	
$\overline{\text{WE}}$ output buffer turn-off delay time	t_{WEZ}	0	15	0	15	ns	
Data input to $\overline{\text{CAS}}$ delay time	t_{DZC}	0		0		ns	16
Data input to $\overline{\text{OE}}$ delay time	t_{DZO}	0		0		ns	16
Masked write setup time	t_{MCS}	0		0		ns	
Masked write hold time referenced to $\overline{\text{RAS}}$	t_{MRH}	0		0		ns	
Masked write hold time referenced to $\overline{\text{CAS}}$	t_{MCH}	0		0		ns	

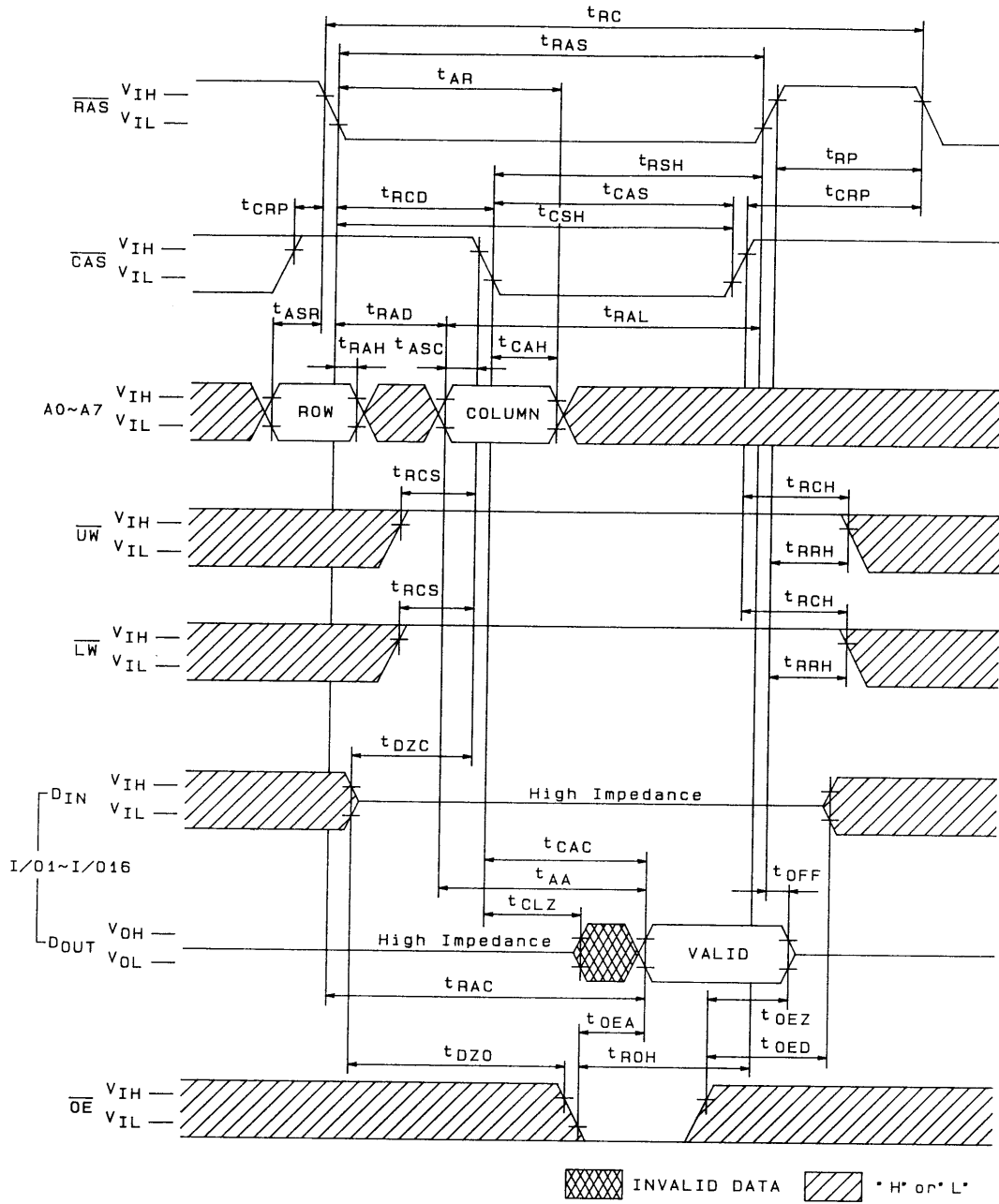
Input/Output Capacitance at $T_a = 25^\circ\text{C}$, $f = 1\text{ MHz}$, $V_{\text{CC}} = 5\text{ V} \pm 10\%$

Parameter	Symbol	min	max	Unit	Note
Input capacitance (A0 to A7, $\overline{\text{RAS}}$, $\overline{\text{CAS}}$, $\overline{\text{UW}}$, $\overline{\text{LW}}$, $\overline{\text{OE}}$)	C_{IN}		7	pF	
Input/Output capacitance (I/O1 to I/O16)	$C_{\text{I/O}}$		7	pF	

- Note: 6. An initial pause of 200 μs is required after power-up followed by eight $\overline{\text{RAS}}$ -only refresh cycles before proper device operation is achieved. In case of using refresh counter, a minimum of eight CAS-before- $\overline{\text{RAS}}$ refresh cycles instead of eight $\overline{\text{RAS}}$ -only refresh cycles are required.
7. Measured at $t_T = 2.5\text{ ns}$.
8. When measuring input signal timing, V_{IH} (min) and V_{IL} (max) are used for reference points. In addition, rise and fall time are defined between V_{IH} and V_{IL} .
9. Measured using an equivalent of 50 pF and one standard TTL loads.
10. t_{OFF} (max) and t_{OEZ} (max) are defined as the time until output voltage can no longer be measured when output switches to a high impedance condition.
11. Operation is guaranteed if either t_{RRH} or t_{RCH} is satisfied.
12. These parameters are measured from the falling edge of $\overline{\text{CAS}}$ for an early-write cycle, and from the falling edge of $\overline{\text{UW}}$ and $\overline{\text{LW}}$ for a read-write/read-modify-write cycle.
13. t_{WCS} , t_{CWD} , t_{RWD} , t_{AWD} and t_{CPWD} are not restrictive operating parameters for memory in that they specify the operating mode. If $t_{\text{WCS}} \geq t_{\text{WCS}}$ (min), the cycle switches to an early-write cycle and output pins switch to high impedance throughout the cycle. If $t_{\text{CWD}} \geq t_{\text{CWD}}$ (min), $t_{\text{RWD}} \geq t_{\text{RWD}}$ (min), $t_{\text{AWD}} \geq t_{\text{AWD}}$ (min) and $t_{\text{CPWD}} \geq t_{\text{CPWD}}$ (min) for fast page mode cycle only, the cycle switches to a read-write/read-modify-write cycle and data output equal information in the selected cells. If neither of the above timings are satisfied, output pins are in an undefined state.
14. t_{RCD} (max) is not a restrictive operating parameter but instead represents the point at which the access time t_{RAC} (max) is guaranteed. If $t_{\text{RCD}} \geq t_{\text{RCD}}$ (max), access time is determined according to t_{CAC} .
15. t_{RAD} (max) is not a restrictive operating parameter but instead represents the point at which the access time t_{RAC} (max) is guaranteed. If $t_{\text{RAD}} \geq t_{\text{RAD}}$ (max), access time is determined according to t_{AA} .
16. Operation is guaranteed if either t_{DZC} or t_{DZO} is satisfied.
17. t_{OFF} is referenced from the rising edge of $\overline{\text{RAS}}$ or $\overline{\text{CAS}}$, whichever occurs last.

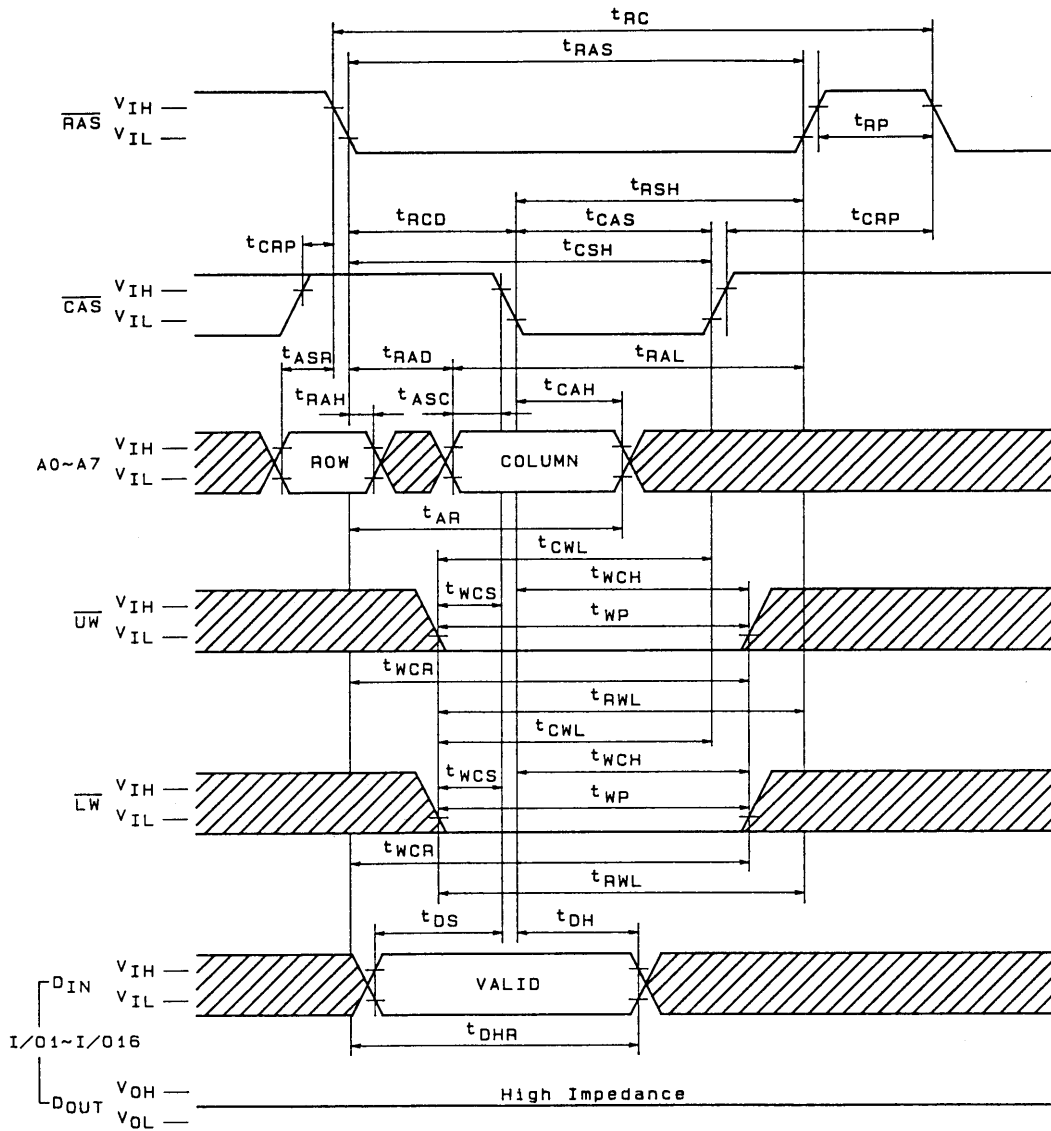
Timing Chart

Read Cycle



A03721

Early Write Cycle

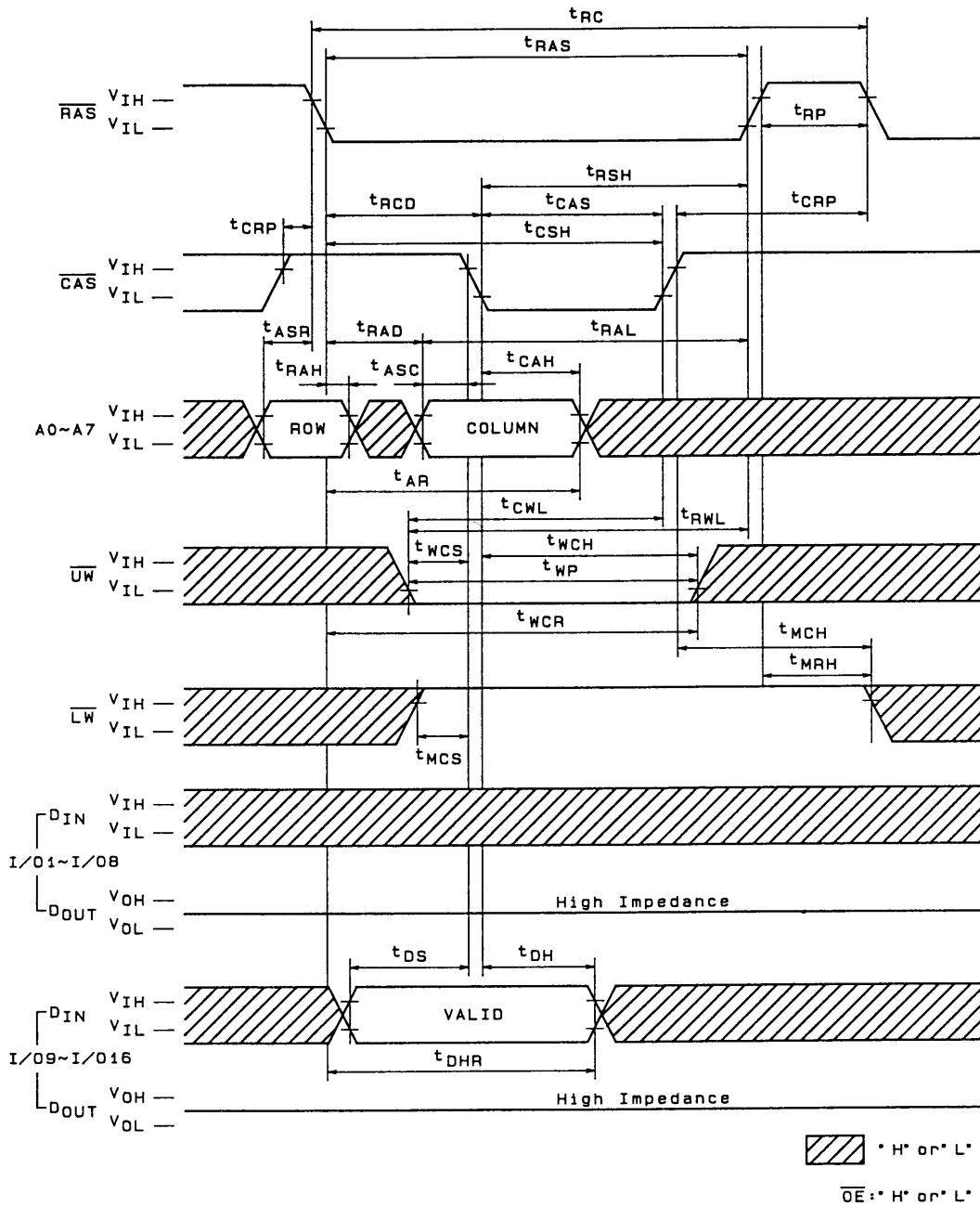


* H* or L*

\overline{OE} : * H* or L*

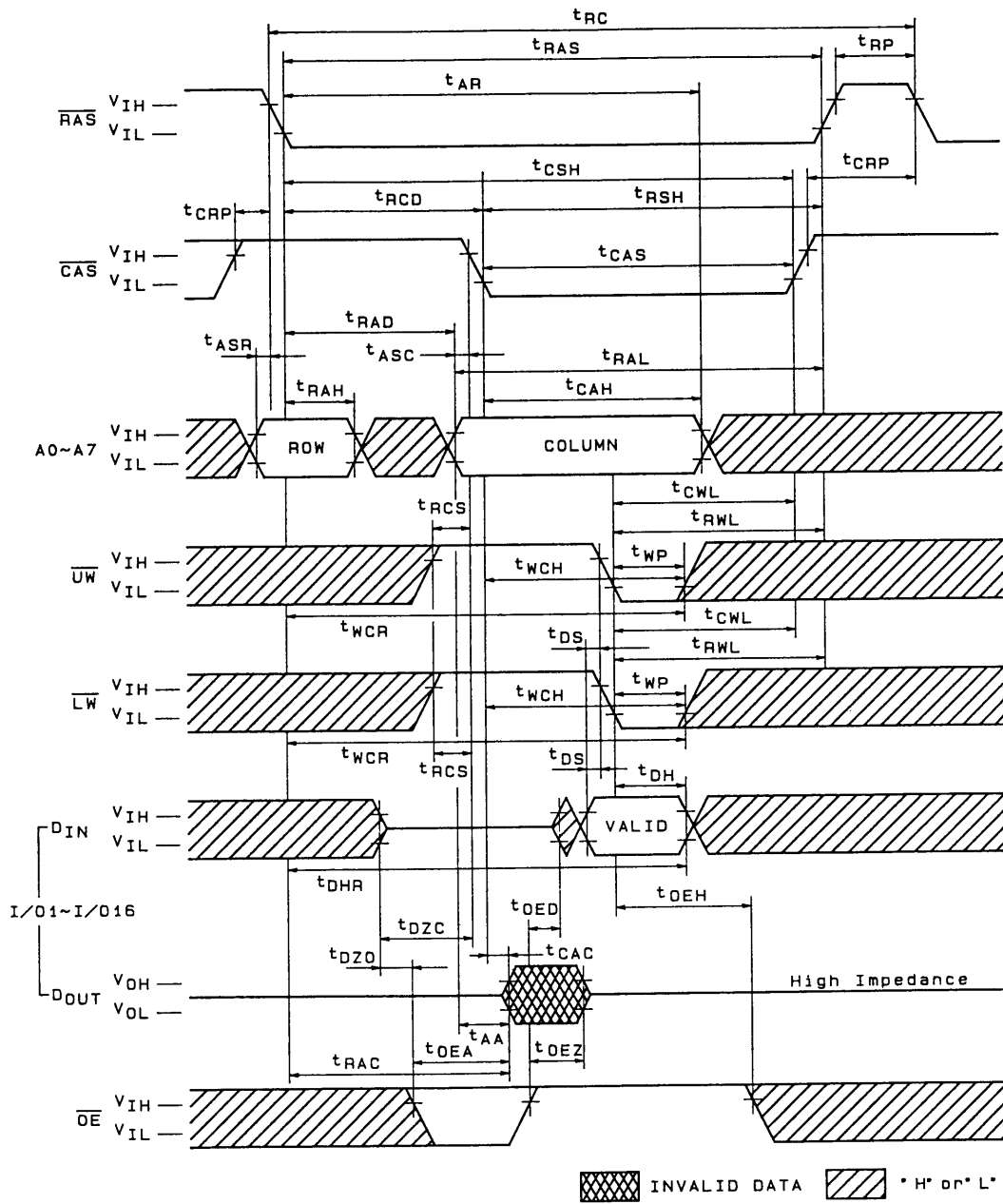
A02140

Upper Byte Early Write Cycle



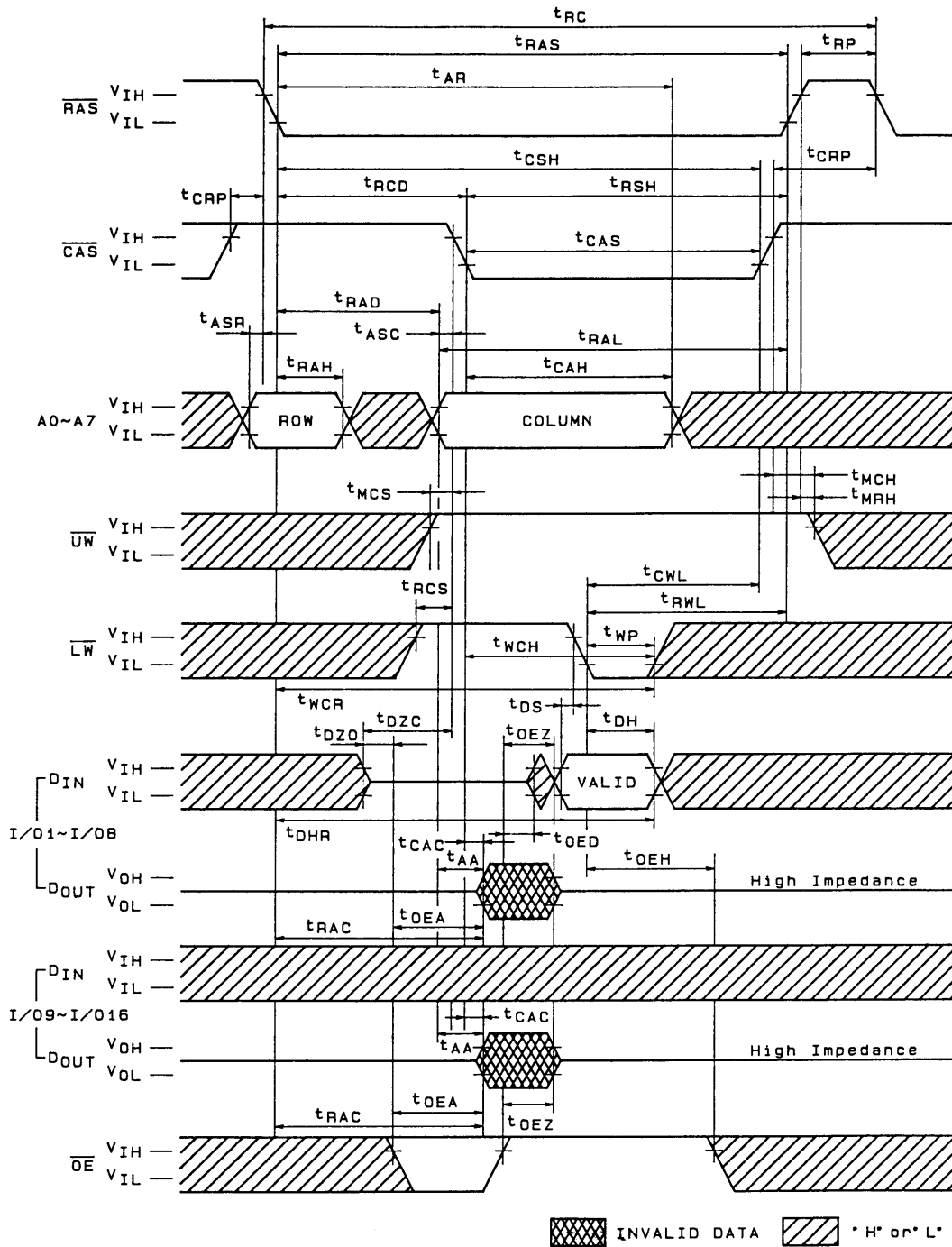
A02141

Write Cycle (\overline{OE} Control)



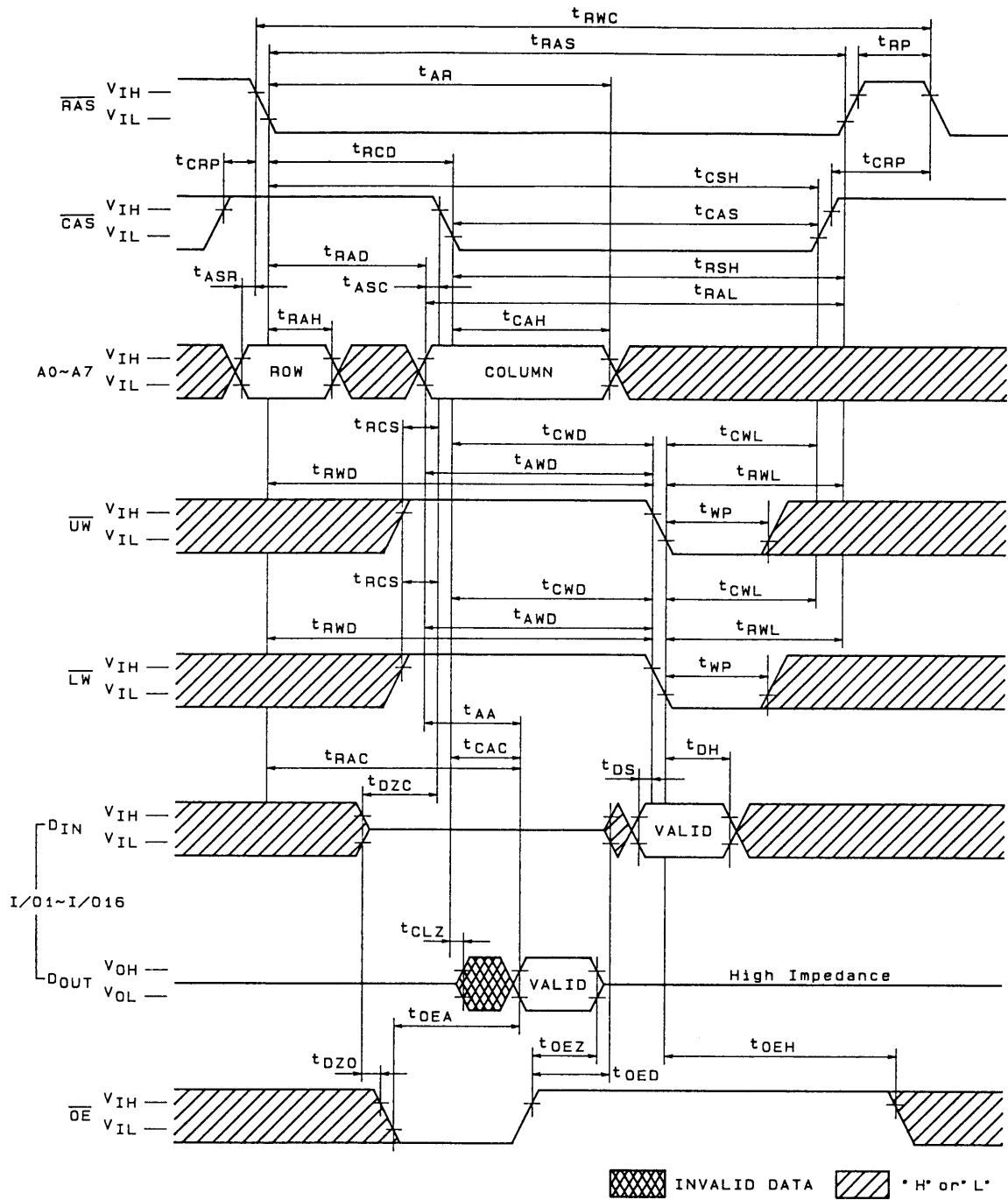
A02143

Lower Byte Write Cycle (\overline{OE} Control)



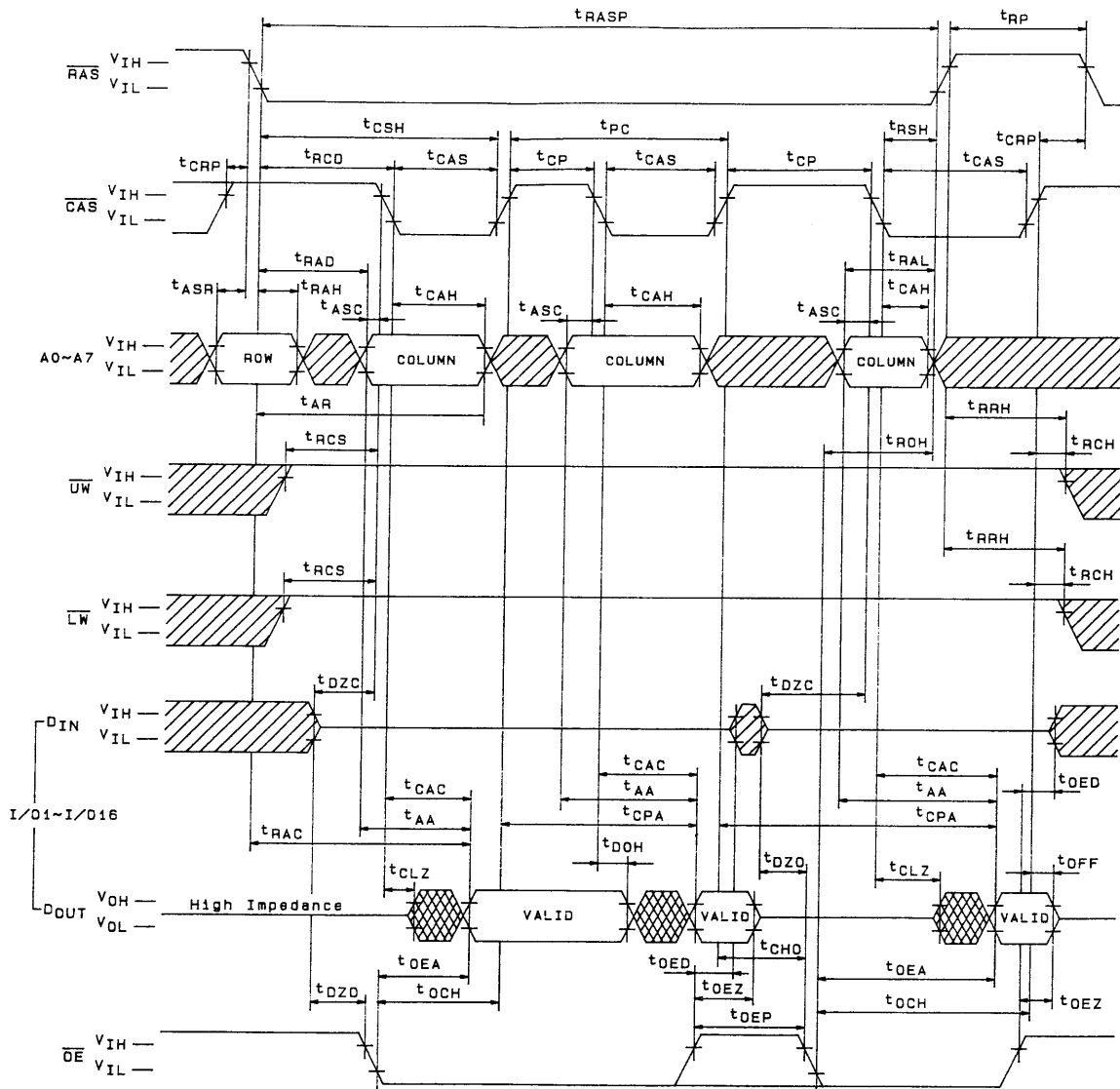
A02145

Read-Modify Write Cycle



A02146

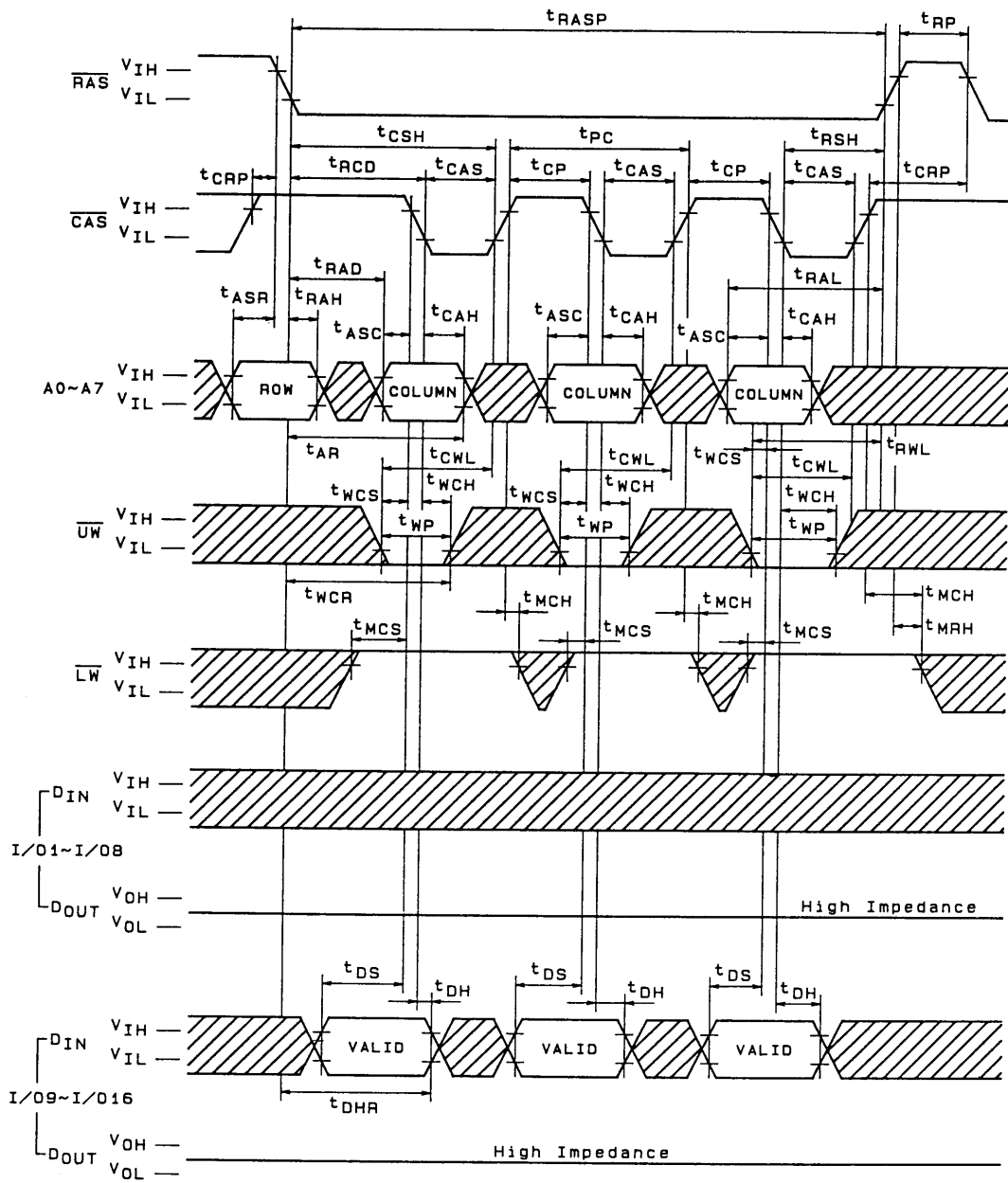
EDO Page Mode Read Cycle



INVALID DATA *H* or *L*

A04085

EDO Page Mode Upper Byte Early Write Cycle

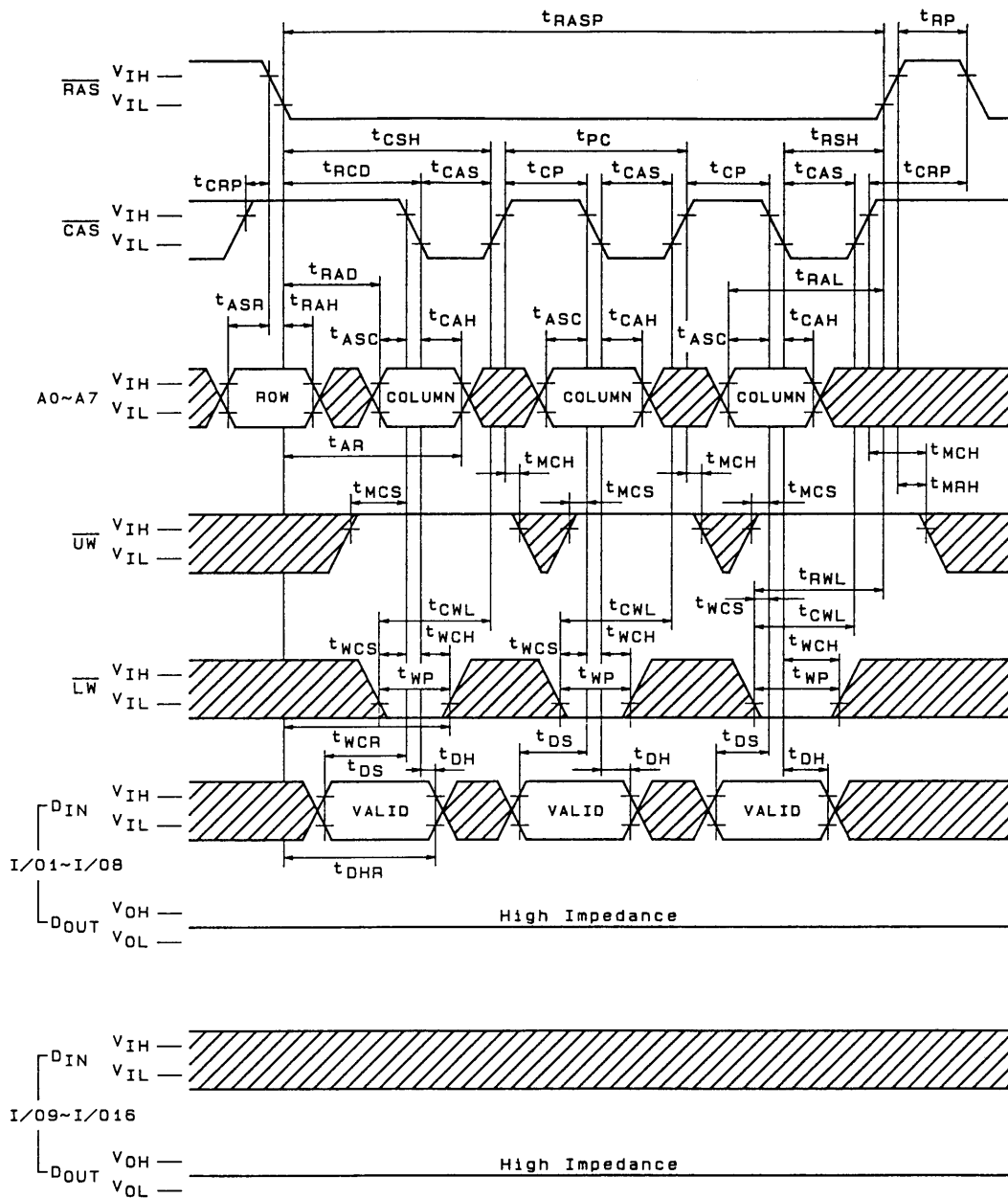


* H* or * L*

\overline{OE} : * H* or * L*

A02151

EDO Page Mode Lower Byte Early Write Cycle

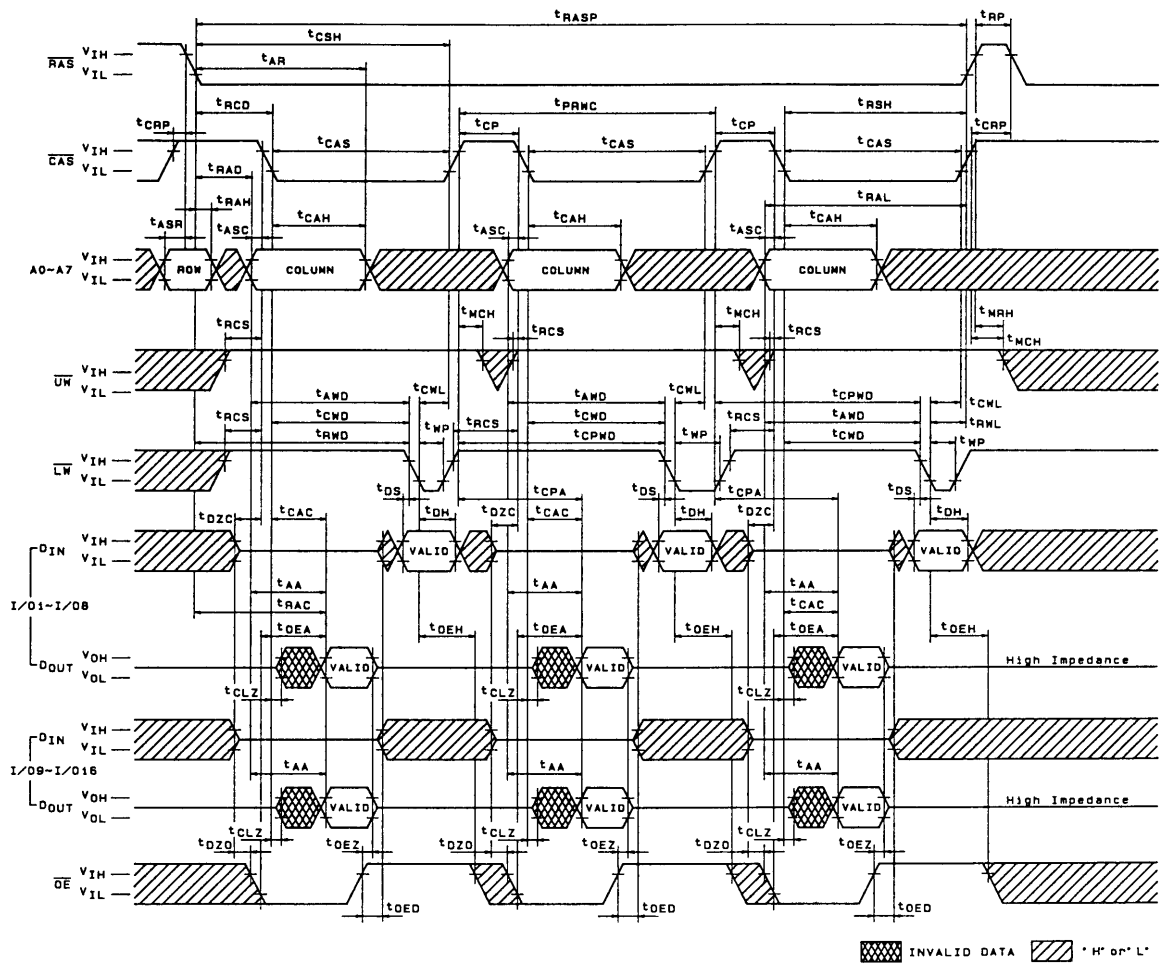


* H* or L*

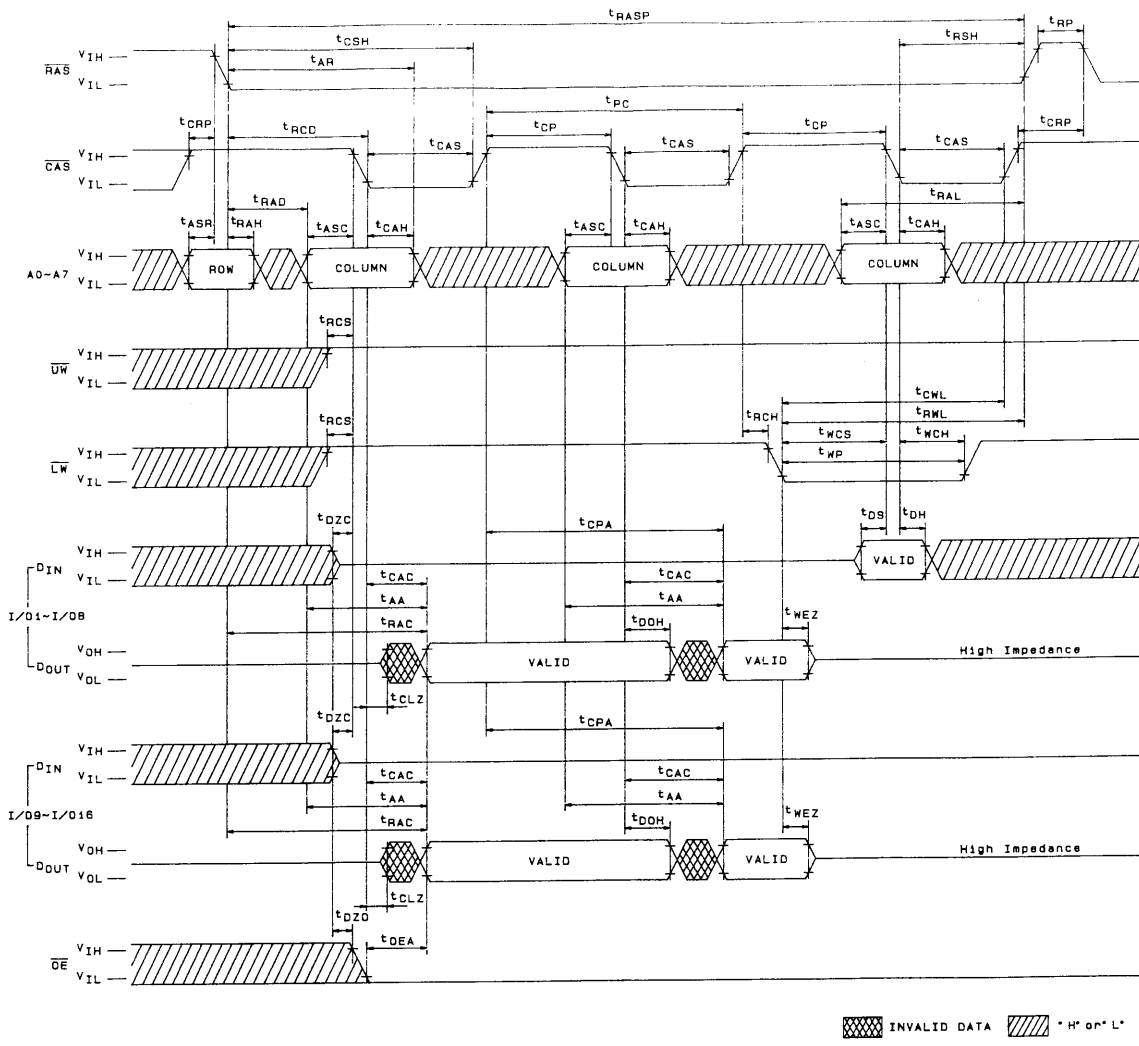
\overline{OE} : * H* or L*

A02152

EDO Page Mode Read-Modify Lower Byte Write Cycle

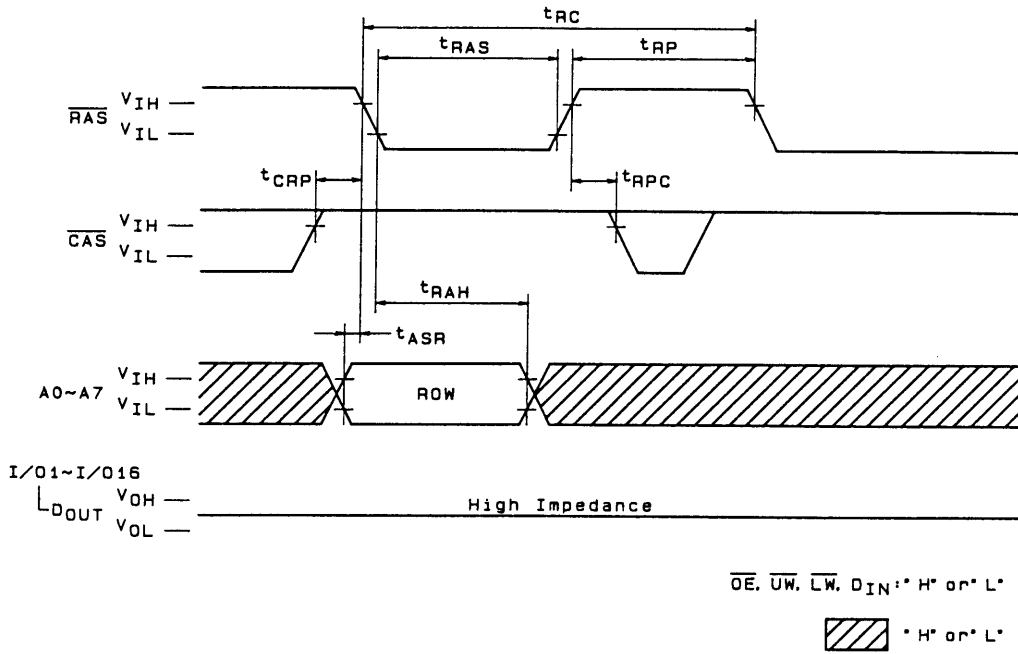


EDO Page Mode Read Lower Byte Early Write Cycle



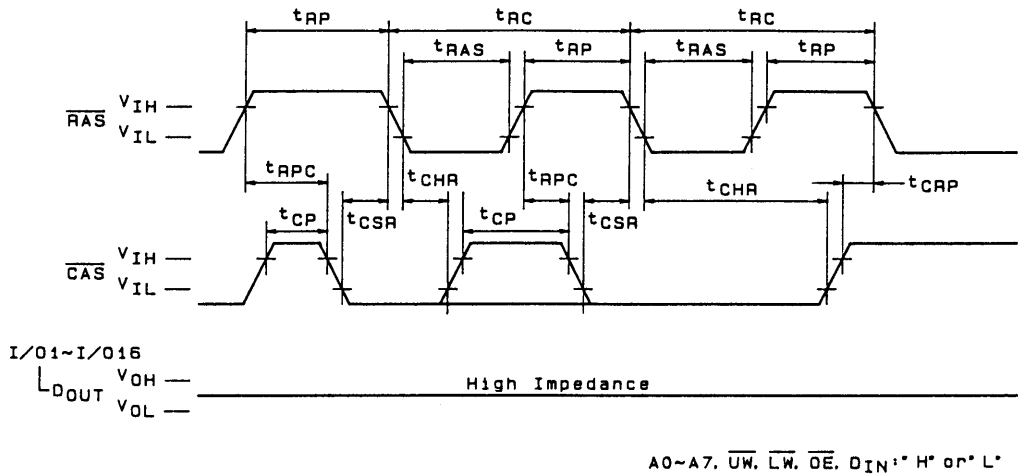
A04088

RAS-Only Refresh Cycle



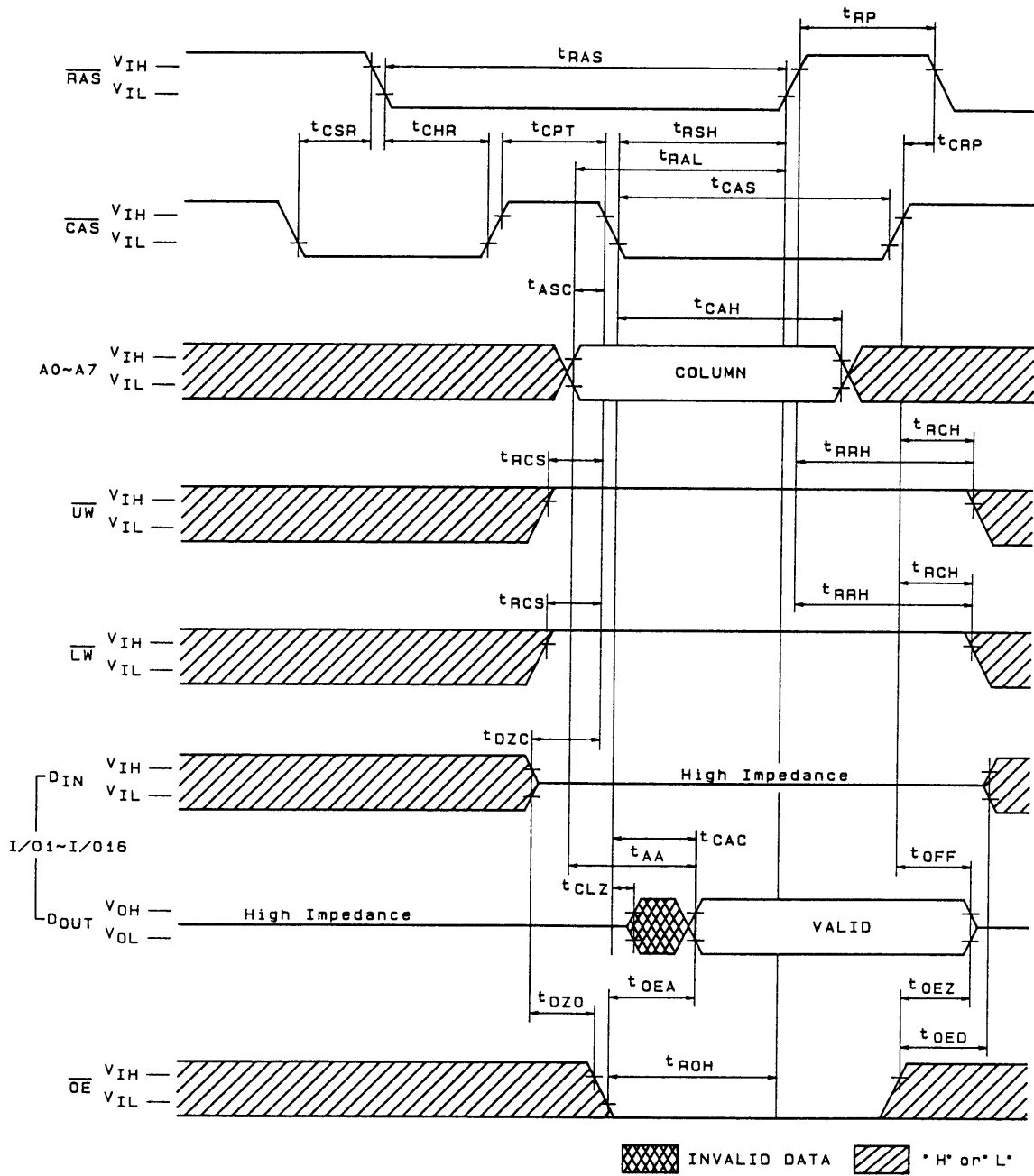
A02157

CAS-Before-RAS Refresh Cycle



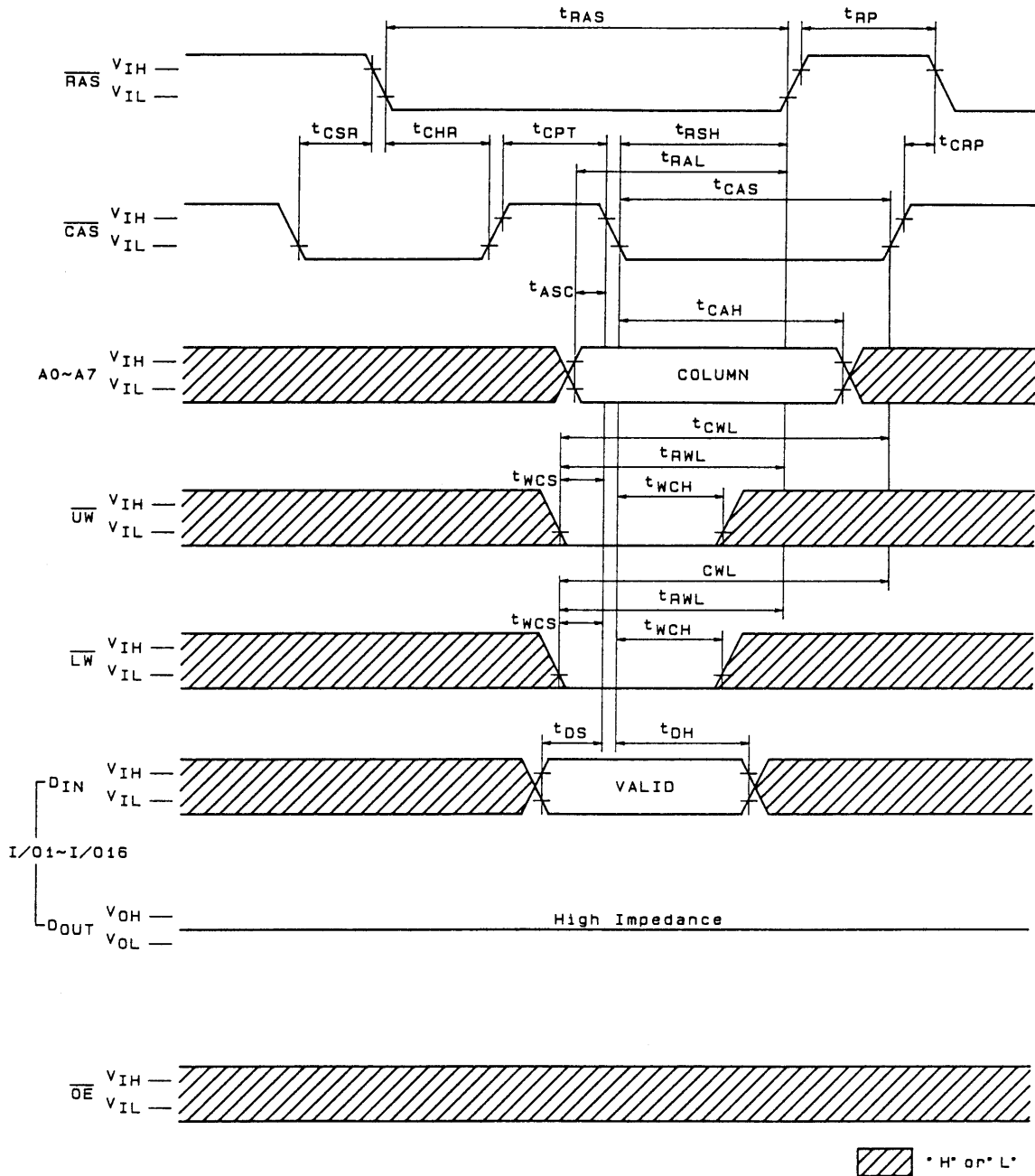
A02158

CAS-Before-RAS Refresh Counter Test Cycle (Read)



A02159

CAS-Before-RAS Refresh Counter Test Cycle (Write)



▨ * H* or * L*

A02160

- Specifications of any and all SANYO products described or contained herein stipulate the performance, characteristics, and functions of the described products in the independent state, and are not guarantees of the performance, characteristics, and functions of the described products as mounted in the customer's products or equipment. To verify symptoms and states that cannot be evaluated in an independent device, the customer should always evaluate and test devices mounted in the customer's products or equipment.
- SANYO Electric Co., Ltd. strives to supply high-quality high-reliability products. However, any and all semiconductor products fail with some probability. It is possible that these probabilistic failures could give rise to accidents or events that could endanger human lives, that could give rise to smoke or fire, or that could cause damage to other property. When designing equipment, adopt safety measures so that these kinds of accidents or events cannot occur. Such measures include but are not limited to protective circuits and error prevention circuits for safe design, redundant design, and structural design.
- In the event that any and all SANYO products described or contained herein fall under strategic products (including services) controlled under the Foreign Exchange and Foreign Trade Control Law of Japan, such products must not be exported without obtaining export license from the Ministry of International Trade and Industry in accordance with the above law.
- No part of this publication may be reproduced or transmitted in any form or by any means, electronic or mechanical, including photocopying and recording, or any information storage or retrieval system, or otherwise, without the prior written permission of SANYO Electric Co., Ltd.
- Any and all information described or contained herein are subject to change without notice due to product/technology improvement, etc. When designing equipment, refer to the "Delivery Specification" for the SANYO product that you intend to use.
- Information (including circuit diagrams and circuit parameters) herein is for example only; it is not guaranteed for volume production. SANYO believes information herein is accurate and reliable, but no guarantees are made or implied regarding its use or any infringements of intellectual property rights or other rights of third parties.

This catalog provides information as of August, 1998. Specifications and information herein are subject to change without notice.