

SANYO	No. 4954	LB1674M
	Brushless, Sensorless Motor Driver	

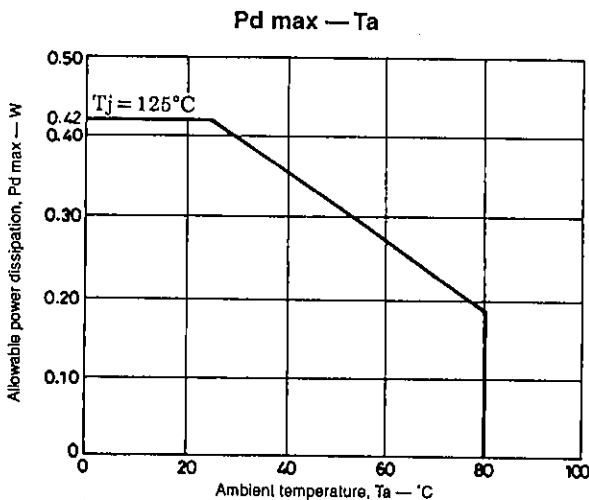
Overview

The LB1674M is a motor driver IC which is ideal for minicassette player, headphone stereo, and microcassette player applications.

Functions and Features

- Brushless, sensorless motor drive (3-phase unipole drive)
- Forward/Reverse direction
- Speed control function built-in (V-servo)
- Reference voltage built-in (0.5V)
- Soft switching drive

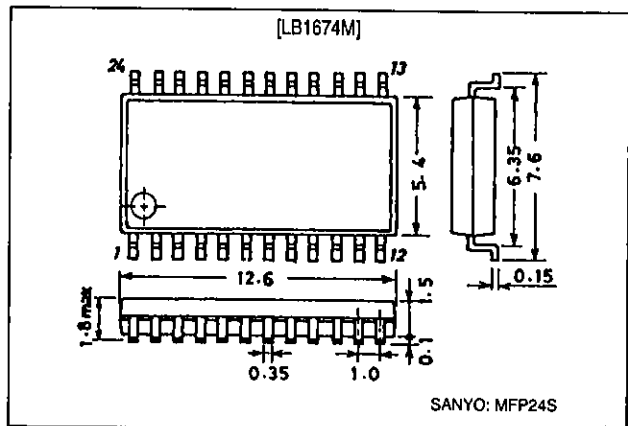
Performance Characteristics



Package Dimensions

Unit: mm

3112-MFP24S



Specifications

Absolute Maximum Ratings at Ta = 25°C

Parameter	Symbol	Conditions	Ratings	Unit
Maximum supply voltage	V _{CC} max		5	V
Output transistor blocking voltage	V _O (sus)		10	V
Maximum output current	I _m max		0.6	A
Allowable power dissipation	P _d max	T _j = 125°C	0.42	W
Operating temperature	T _{opr}		0 to 80	°C
Storage temperature	T _{stg}		-40 to +125	°C

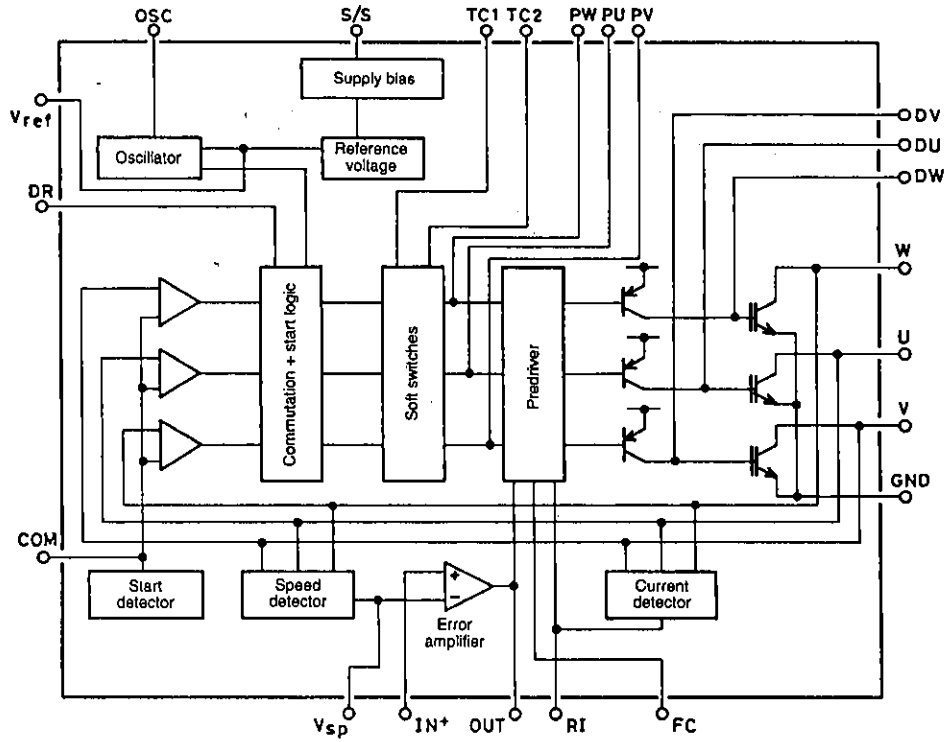
Allowable Operating Ranges at Ta = 25°C

Parameter	Symbol	Conditions	Ratings	Unit
Supply voltage	V _{CC}		1.0 to 3.5	V

Electrical Characteristics at Ta = 25°C, V_{CC} = 1.5V, specified test circuit

Parameter	Symbol	Conditions	Ratings			Unit
			min	typ	max	
Supply current	I _{CC}	START = HIGH	-	6.5	10	mA
		START = LOW	-	0	10	μA
Reference voltage	V _{ref}		0.47	0.50	0.53	V
Voltage characteristic of reference voltage	$\frac{\Delta V_{ref}}{V_{ref}} \times \frac{1}{\Delta V_{CC}}$	V _{CC} = 1.0 to 3.5V	-	1	1.5	%/V
Load characteristic of reference voltage	$\frac{\Delta V_{ref}}{\Delta I_{ref}}$	I _{ref} = 0 to -50μA	-0.2	-0.06	-	mV/μA
Temperature characteristic of reference voltage	$\frac{\Delta V_{ref}}{V_{ref}} \times \frac{1}{\Delta T_a}$	T _a = 0 to 80°C	-	0.01	-	%/°C
Speed signal detector accuracy	V _{sp}	V _{IN} = 750mV	140	155	170	mV
Speed signal interphase error			-5	-	+5	%
Voltage characteristic of speed signal	$\frac{\Delta V_{sp}}{V_{sp}} \times \frac{1}{\Delta V_{CC}}$	V _{CC} = 1.0 to 3.5V	-	2	3	%/V
Temperature characteristic of speed signal	$\frac{\Delta V_{sp}}{V_{sp}} \times \frac{1}{\Delta T_a}$	V _{IN} = 0.75V, T _a = 0 to 80°C	-	0.05	-	%/°C
Current detector sensitivity	V _{RI}	V _{IN1} = 0.3V, V _{IN2} = 1.0V, R _I = 330Ω	70	85	100	mV
Current detection ratio	K _I	V _{IN1} = 0.3V, V _{IN2} = 1 to 1.3V	0.17	0.22	0.27	
Start pulse cycle time	T _s	C _s = 0.1μF	-	32	-	ms
COM _⊖ pull-in current	I _{COM_⊖}		25	35	45	μA
Output saturation voltage	V _{sat}	V _{CC} = 1.0V, I _m = 0.3A	-	0.15	0.25	V
HIGH-level logic input voltage	V _H		0.9	-	-	V
LOW-level logic input voltage	V _L		-	-	0.3	V
TC pin pull-in current	I _{TC}		35	50	65	μA

Block Diagram



Pin Functions

Number	Name	Equivalent circuit ¹	Function
1 3 23	V W U		Motor coil connection pins
2 22 24	DW DU DV		Power transistor base connections
4	GND		Common power ground and signal ground
5	OSC		Start pulse cycle time set pin

LB1674M

Number	Name	Equivalent circuit ¹	Function
6	COM \ominus		Start waveform detector circuit offset set pin
7	DR		Rotation direction switching control pin (forward when LOW)
8	Vref		Reference voltage pin (0.5V)
9	START		Start/Stop pin. Active HIGH
10	Vsp		Speed signal (motor induced voltage) detector
11	IN*		Speed signal error amplifier reference input pin
12	OUT		Speed signal error amplifier output pin. Motor current feedback control.

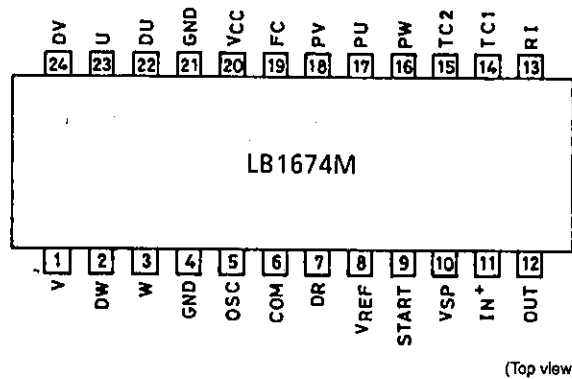
LB1674M

Number	Name	Equivalent circuit ¹	Function
13	RI		Motor current detector pin
14	TC1		Motor current rising/falling slope set pin (for soft switching operation)
15	TC2		Motor current rising/falling slope set pin (for soft switching operation)
16 17 18	PW PU PV		Current waveform generator. These pins are for measuring the internal operation. Always left open for normal use.
19	FC		Noise and abnormal oscillation stop pin
20	V _{CC}		Supply pin
21	GND		Common power ground and signal ground

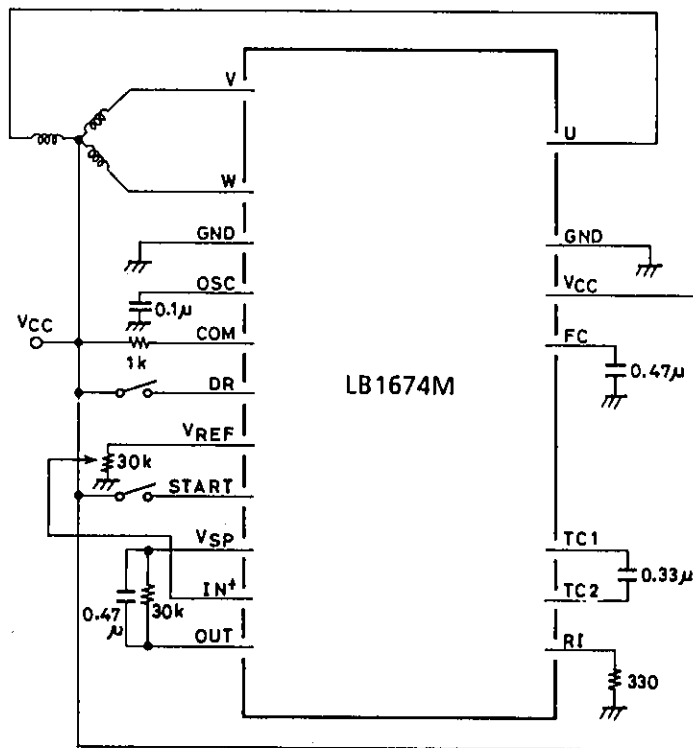
1. Unit (resistance: Ω)

LB1674M

Pin Assignment



Sample Peripheral Circuit ($V_{CC} = 1.5V$)



Pins PU, PV and PW are for internal measurement.

Unit (resistance: Ω , capacitance: F)

- No products described or contained herein are intended for use in surgical implants, life-support systems, aerospace equipment, nuclear power control systems, vehicles, disaster/crime-prevention equipment and the like, the failure of which may directly or indirectly cause injury, death or property loss.
- Anyone purchasing any products described or contained herein for an above-mentioned use shall:
 - ① Accept full responsibility and indemnify and defend SANYO ELECTRIC CO., LTD., its affiliates, subsidiaries and distributors and all their officers and employees, jointly and severally, against any and all claims and litigation and all damages, cost and expenses associated with such use:
 - ② Not impose any responsibility for any fault or negligence which may be cited in any such claim or litigation on SANYO ELECTRIC CO., LTD., its affiliates, subsidiaries and distributors or any of their officers and employees, jointly or severally.
- Information (including circuit diagrams and circuit parameters) herein is for example only; it is not guaranteed for volume production. SANYO believes information herein is accurate and reliable, but no guarantees are made or implied regarding its use or any infringements of intellectual property rights or other rights of third parties.

This catalog provides information as of May, 1995. Specifications and information herein are subject to change without notice.