

SANYO	No.1507C	LB1408
		Level Meter

Features

- (1) An input amplifier is built in.
- (2) Minimum number of external parts required.
- (3) Low current dissipation because of series connection of LED's.

Absolute Maximum Ratings at Ta=25°C

			unit
Maximum Supply Voltage	V_{CCmax} (Pin 3)	-0.3 to +18.0	V
Maximum Input Voltage	V_{INmax} (Pin 2)	-0.3 to V_{CC}	V
D Pin Output Current	I_{Dmax} Output transistor ON	0 to 30	mA
D Pin Output Voltage	V_{Dmax}	-0.3 to V_{CC}	V
Reference Flow-Out Current	I_{refmax} (Pin 4)	-3.0 to 0	mA
Allowable Power Dissipation	P_{dmax}	1.2	W
Operating Temperature	T_{opr}	-30 to +80	°C
Storage Temperature	T_{stg}	-40 to +125	°C

Allowable Operating Conditions at Ta=25°C

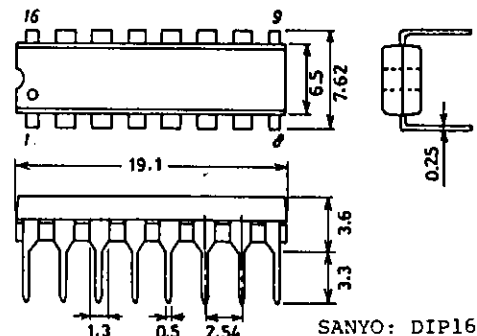
			unit
Supply Voltage	V_{CC}	6.7 to 16.0	V

Electrical Characteristics at Ta=25°C, $V_{CC}=12V$

			min	typ	max	unit
Current Dissipation I_{CC}	Quiescent, pin 3 3.3kohms across I_{LED1} and V_{ref}			4	8	mA
Input Bias Current I_{IN}	Pin 2		-10		0	µA
Reference Voltage V_{ref}	Pin 4		4.40	4.85	5.30	V
D Pin Current 1 $I_{D2,4,7}$	3.3kohms across I_{LED1} and V_{ref}		12	16	19	mA
Output Saturation Voltage	V_{satD} 1,3,5,6 $I_{LED2}=GND$, pins 7,11,14			1.0	1.3	V
D Pin Current 2 $I_{D2,4,7}$	" , $V_{CC}=6.7V$,		12		19	mA
OUT Pin Impedance R_{OUT}	$V_{D1,3,6}=0.9V$, pins 7,11,14 Pin 1		8	12	16	kohm

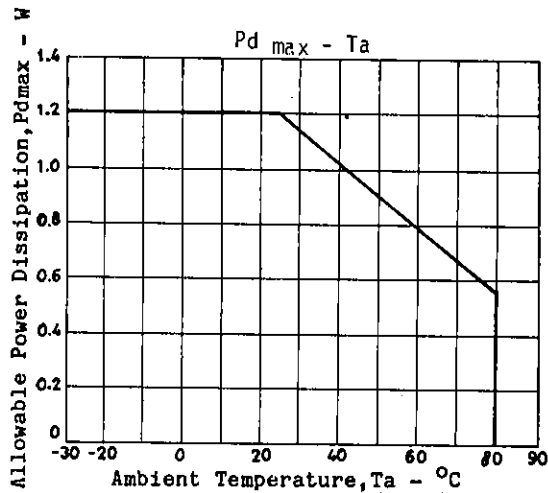
Continued on next page.

Package Dimensions 3064
(unit: mm)

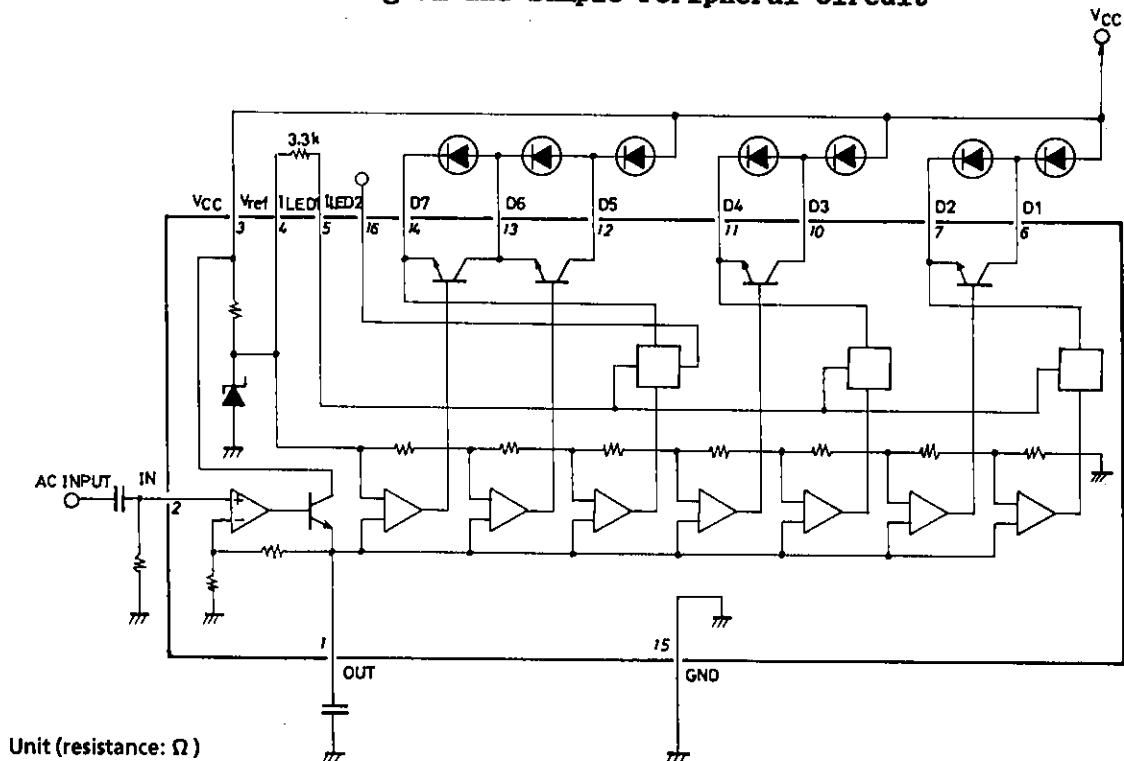


Continued from preceding page.

			min	typ	max	unit	
Input Sensitivity	V_{IN5}	Input voltage at which LED of D5 is lighted	119	132	145	mV	
Comparator Level D1	V_{T1}	Input voltage at which LED of D5 is lighted is taken as 0db.	-26	-20	-14	dB	
	D2	V_{T2}	"	-12	-10	-8	dB
	D3	V_{T3}	"	-7	-6	-5	dB
	D4	V_{T4}	"	-3.5	-3.0	-2.5	dB
	D5	V_{T5}	"	0	0	0	dB
	D6	V_{T6}	"	2.5	3.0	3.5	dB
	D7	V_{T7}	"	5	6	7	dB
Output Leakage Current	I_{DL}	$V_{IN}=0V$, pins 6,10,12	0		10	μA	
D Pin Current 3	I_{D7}	3.3kohms across I_{LED1} and V_{ref}	4.5	6.0	8.0	mA	
D Pin Current 4	I_{D7}	$I_{LED2}=\text{Open}$, pin 14 $V_{CC}=6.7V$, $V_{D6}=0.7V$, Pin 14	4.5		8.0	mA	

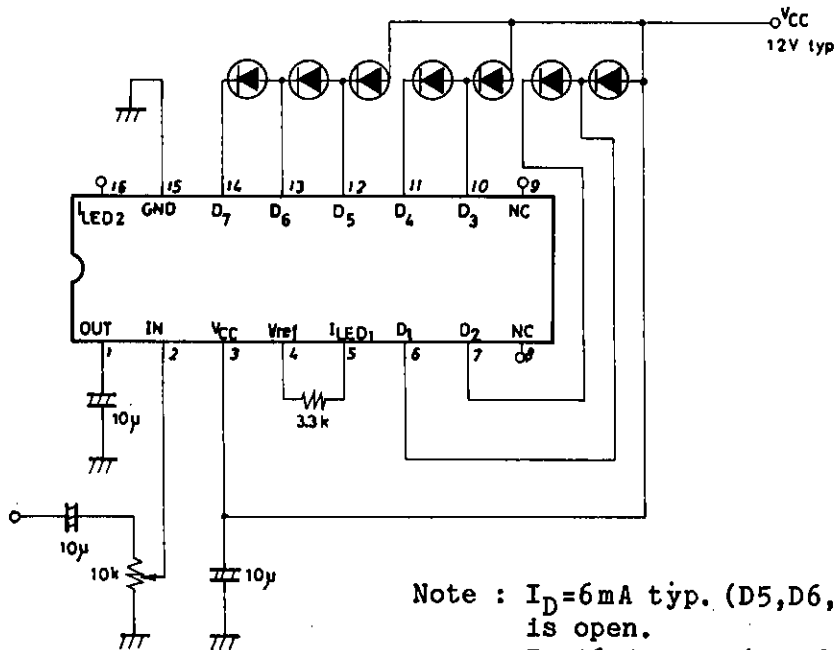


Equivalent Circuit Block Diagram and Sample Peripheral Circuit



Sample Application Circuit

Unit (resistance: Ω, capacitance: F)



Note : $I_D = 6\text{mA typ. (D5,D6,D7)}$ when I_{LED2} (pin 16) is open.
 $I_D = 16\text{mA typ. (D5,D6,D7)}$ when I_{LED2} (pin 16) is grounded.

■ No products described or contained herein are intended for use in surgical implants, life-support systems, aerospace equipment, nuclear power control systems, vehicles, disaster/crime-prevention equipment and the like, the failure of which may directly or indirectly cause injury, death or property loss.

■ Anyone purchasing any products described or contained herein for an above-mentioned use shall:

- ① Accept full responsibility and indemnify and defend SANYO ELECTRIC CO., LTD., its affiliates, subsidiaries and distributors and all their officers and employees, jointly and severally, against any and all claims and litigation and all damages, cost and expenses associated with such use;
- ② Not impose any responsibility for any fault or negligence which may be cited in any such claim or litigation on SANYO ELECTRIC CO., LTD., its affiliates, subsidiaries and distributors or any of their officers and employees jointly or severally.

■ Information (including circuit diagrams and circuit parameters) herein is for example only; it is not guaranteed for volume production. SANYO believes information herein is accurate and reliable, but no guarantees are made or implied regarding its use or any infringements of intellectual property rights or other rights of third parties.