

SANYO

NO.2625A

LB1267M**2-Channel, High-Current,
Low-Saturation Driver Array****Functions**

- . 2-channel magnet driver

Features

- . High current (2.0A max) and low saturation voltage (1.5V)
- . On-chip spark killer diodes

Absolute Maximum Ratings at Ta=25°C

			unit
Maximum Supply Voltage	V_{CC} max	8.0	V
Output Supply Voltage	V_{OUT}	10.0	V
Input Supply Voltage	V_{IN}	12.0	V
Output Current	I_{OUT1} Solenoid drive stage(ch1)	1.0	A
	I_{OUT2} Motor drive stage(ch2)	2.5	A
Spark Killer Diode Forward Current	I_{FSM1} Solenoid drive stage(ch1)	1.0	A
	I_{FSM2} Motor drive stage(ch2)	2.5	A
V_{CC} Instantaneous Flow-out Current	I_{ccp}	3.0	A
GND Flow-out Current	I_{GND}	3.0	A
Allowable Power Dissipation	P_d max	300	mW
Operating Temperature	T_{opr}	-20 to +75	°C
Storage Temperature	T_{stg}	-40 to +125	°C

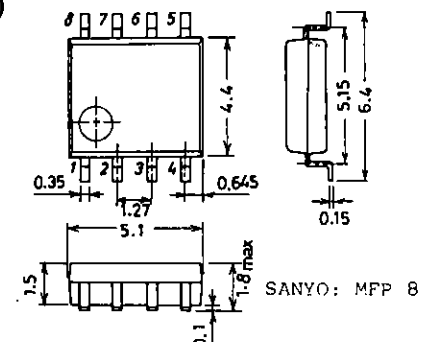
Allowable Operating Conditions at Ta=25°C

			unit
Supply Voltage	V_{CC}	3.0 to 7.0	V
Input "H"-Level Voltage	V_{IH} $I_{OUT}=300mA$	3.0 to 11.0	V
Input "L"-Level Voltage	V_{IL} $I_{OUT} \leq 100\mu A$	-0.3 to +0.7	V

Electrical Characteristics at Ta=25°C

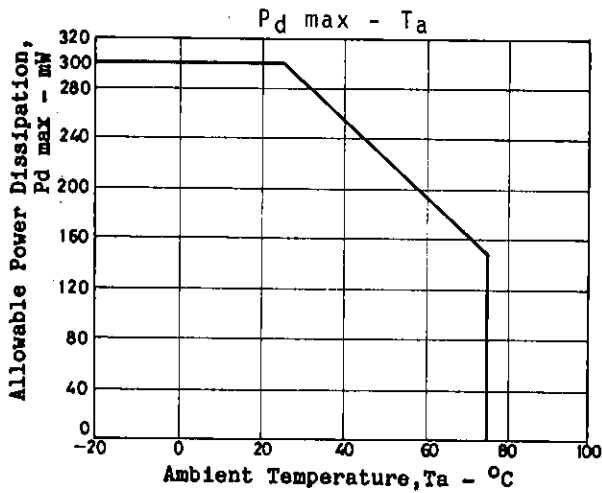
		min	typ	max	unit
Output Voltage	V_{OH1} $V_{IN}=4.5V, V_{CC}=5.0V,$ $I_{OUT}=500mA$ (ch1)			0.65	V
	V_{OH2} $V_{IN}=6.0V, V_{CC}=7.0V,$ $I_{OUT}=1000mA$ (ch1)			1.4	V

Continued on next page.

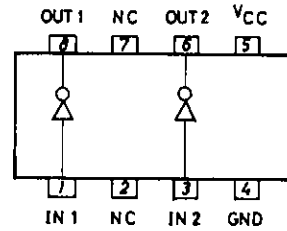
Package Dimensions 3032B-M8IC
(unit : mm)

Continued from preceding page.

			min	typ	max	unit
Output Voltage	V_{OH3}	$V_{IN}=3.0V, V_{CC}=3.0V,$ $I_{OUT}=300mA$ (ch2)			0.25	V
	V_{OH4}	$V_{IN}=4.5V, V_{CC}=5.0V,$ $I_{OUT}=1000mA$ (ch2)		0.5	0.7	V
	V_{OH5}	$V_{IN}=6.0V, V_{CC}=7.0V,$ $I_{OUT}=2000mA$ (ch2)		1.0	1.5	V
Input Current	I_{IN1}	$V_{IN}=6.0V$ (ch1)			1.0	mA
	I_{IN2}	$V_{IN}=6.0V$ (ch2)			2.0	mA
Power Source + Output Leakage Current	I_{OFF}	$V_{IN}=0.5V, V_{OUT}=V_{CC}=6.0V$			30	μA
Spark Killer Diode Forward Voltage	V_{F1}	$I_F=1000mA$ (ch1)			3.0	V
	V_{F2}	$I_F=2000mA$ (ch2)			3.0	V
Output Sustain Voltage	$V_{o(sus)}$	$I_{OUT}=400mA$	10			V

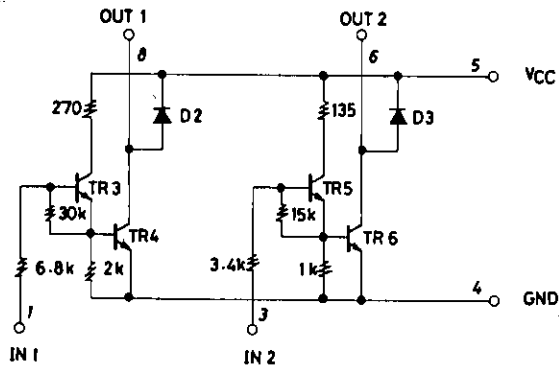


Pin Assignment



Note) Do not use NC pin.

Equivalent Circuit



Unit (resistance: Ω)

- No products described or contained herein are intended for use in surgical implants, life-support systems, aerospace equipment, nuclear power control systems, vehicles, disaster/crime-prevention equipment and the like, the failure of which may directly or indirectly cause injury, death or property loss.
- Anyone purchasing any products described or contained herein for an above-mentioned use shall:
 - ① Accept full responsibility and indemnify and defend SANYO ELECTRIC CO., LTD., its affiliates, subsidiaries and distributors and all their officers and employees, jointly and severally, against any and all claims and litigation and all damages, cost and expenses associated with such use:
 - ② Not impose any responsibility for any fault or negligence which may be cited in any such claim or litigation on SANYO ELECTRIC CO., LTD., its affiliates, subsidiaries and distributors or any of their officers and employees jointly or severally.
- Information (including circuit diagrams and circuit parameters) herein is for example only; it is not guaranteed for volume production. SANYO believes information herein is accurate and reliable, but no guarantees are made or implied regarding its use or any infringements of intellectual property rights or other rights of third parties.