

**LB11817****Three-Phase Full-Wave Linear Drive****Preliminary****Overview**

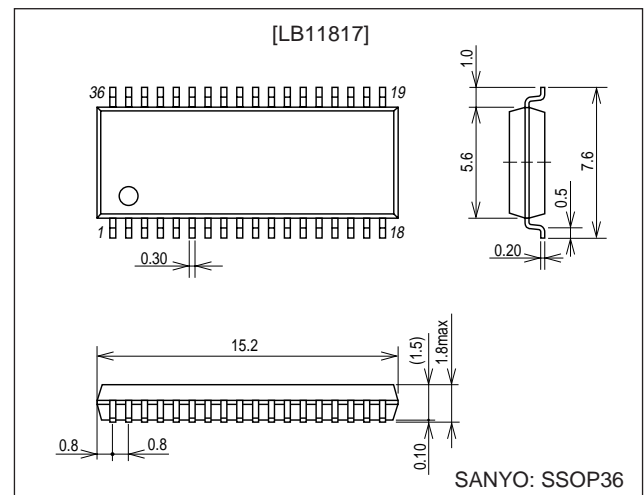
The LB11817 is a spindle motor driver for use in slim-shaped FDDs that use 5 V power supply.

Functions and Features

- Three-phase full-wave linear drive
- Low saturation voltage
- Built-in digital speed control
- Start/stop circuit (active low)
- Speed switching
- Current limiter
- Index processing circuit
- The index timing can be adjustment with a variable resistor.
- Thermal protection circuit

Package Dimensions

unit: mm

3247-SSOP36**Specifications****Absolute Maximum Ratings at Ta = 25°C**

Parameter	Symbol	Conditions	Ratings	Unit
Maximum supply voltage	V _{CCmax}		7.0	V
Maximum output current	I _{o max1}	t ≤ 0.5 s	1.5	A
Maximum steady-state output current	I _{o max2}		1.0	A
Allowable power dissipation 1	P _{dmax1}	Independent IC	0.6	W
Operating temperature	T _{opr}		-20 to +80	°C
Storage temperature	T _{stg}		-40 to +150	°C

Allowable Operating Ranges at Ta = 25°C

Parameter	Symbol	Conditions	Ratings	Unit
Supply voltage	V _{CC}		4.2 to 6.5	V

■ Any and all SANYO products described or contained herein do not have specifications that can handle applications that require extremely high levels of reliability, such as life-support systems, aircraft's control systems, or other applications whose failure can be reasonably expected to result in serious physical and/or material damage. Consult with your SANYO representative nearest you before using any SANYO products described or contained herein in such applications.

■ SANYO assumes no responsibility for equipment failures that result from using products at values that exceed, even momentarily, rated values (such as maximum ratings, operating condition ranges, or other parameters) listed in products specifications of any and all SANYO products described or contained herein.

SANYO Electric Co.,Ltd. Semiconductor Company

TOKYO OFFICE Tokyo Bldg., 1-10, 1 Chome, Ueno, Taito-ku, TOKYO, 110-8534 JAPAN

LB11817

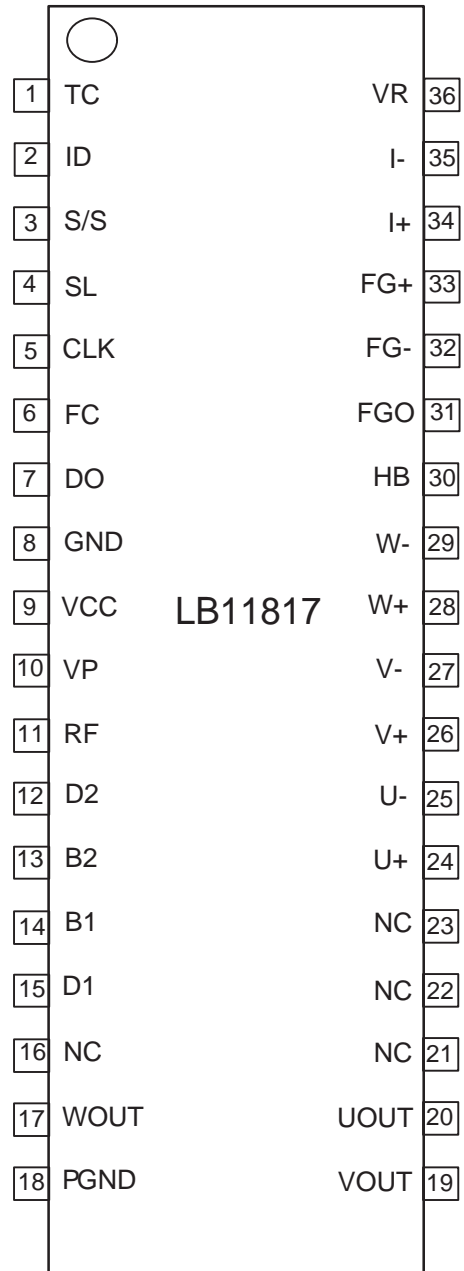
Electrical Characteristics at $T_a = 25^\circ\text{C}$, $V_{CC} = 5\text{ V}$

Parameter	Symbol	Conditions	Ratings			Unit	Note
			min	typ	max		
Current drain	I_{CCO}	S/S = 5 V (standby mode)			10	μA	
	I_{CC}	S/S = 0 V (normal operation)		17	25	mA	
SL bias current	I_{SL}	$V_{SL} = 0\text{ V}$			10	μA	
SL low-level input voltage	V_{SLL}		0		1.0	V	
SL high-level input voltage	V_{SLH}		3.5		V_{CC}	V	
S/S bias current	$I_{S/S}$			150	230	μA	
S/S low voltage	$V_{S/SL}$		0		0.8	V	
S/S high voltage	$V_{S/SH}$		3.5		V_{CC}	V	
Hall amplifier input bias current	I_H				10	μA	
Common-mode input voltage range	V_h		1.5		$V_{CC} - 1.0$	V	
Differential input voltage range	V_{dif}		50		200	mVp-p	
Hall bias output voltage	V_{HB}	$I_H = 5\text{ mA}$	0.5	0.8	1.1	V	
Hall bias leakage current	I_{HBL}	S/S = 5 V			± 10	μA	
Output saturation voltage	V_{sat}	$I_O = 0.5\text{ A}$ sink+source		0.45	0.67	V	
Output leakage current	I_{OL}				1.0	mA	
Current limiter	V_{lim}		0.27	0.3	0.33	V	
Control amplifier voltage gain	G_C		-9	-7	-5	dB	
Voltage gain inter-phase difference	ΔG_C				± 1	dB	
V/I conversion source current	I^+		9	14	19	μA	
V/I conversion sink current	I^-		-9	-14	-19	μA	
V/I conversion current ratio	I^+/I^-		0.8	1.0	1.2		
DSC buffer input current	I_{DSC}				1.0	μA	
FG amplifier voltage gain	G_{FG}			48		dB	*
FG offset amplifier input	V_{FG0}				± 10	mV	*
FG amplifier internal reference voltage	V_{FGB}		2.2	2.5	2.8	V	
FG Schmitt hysteresis	ΔV_{sh}			50		mV	*
Speed discriminator counts	N			1041.5			
Discriminator operating frequency	F_D				1.1	MHz	*
Oscillator frequency range	F_{OSC}				1.1	MHz	*
Index output low-level voltage	V_{IDL}	$I_O = 2\text{ mA}$			0.4	V	
Index output leakage current	I_{IDL}				± 10	μA	
Index amplifier common-mode input voltage range	V_{ID}		1.0		$V_{CC} - 1.0$	V	
Index input hysteresis	ΔV_{ID}			25		mV	
Boost voltage	VP	$I_p = -5\text{ mA}$	1.39	1.55	1.71	V	
Thermal protection circuit operating temperature	TSD		150	180		$^\circ\text{C}$	*
Hysteresis	ΔTSD			40		$^\circ\text{C}$	*

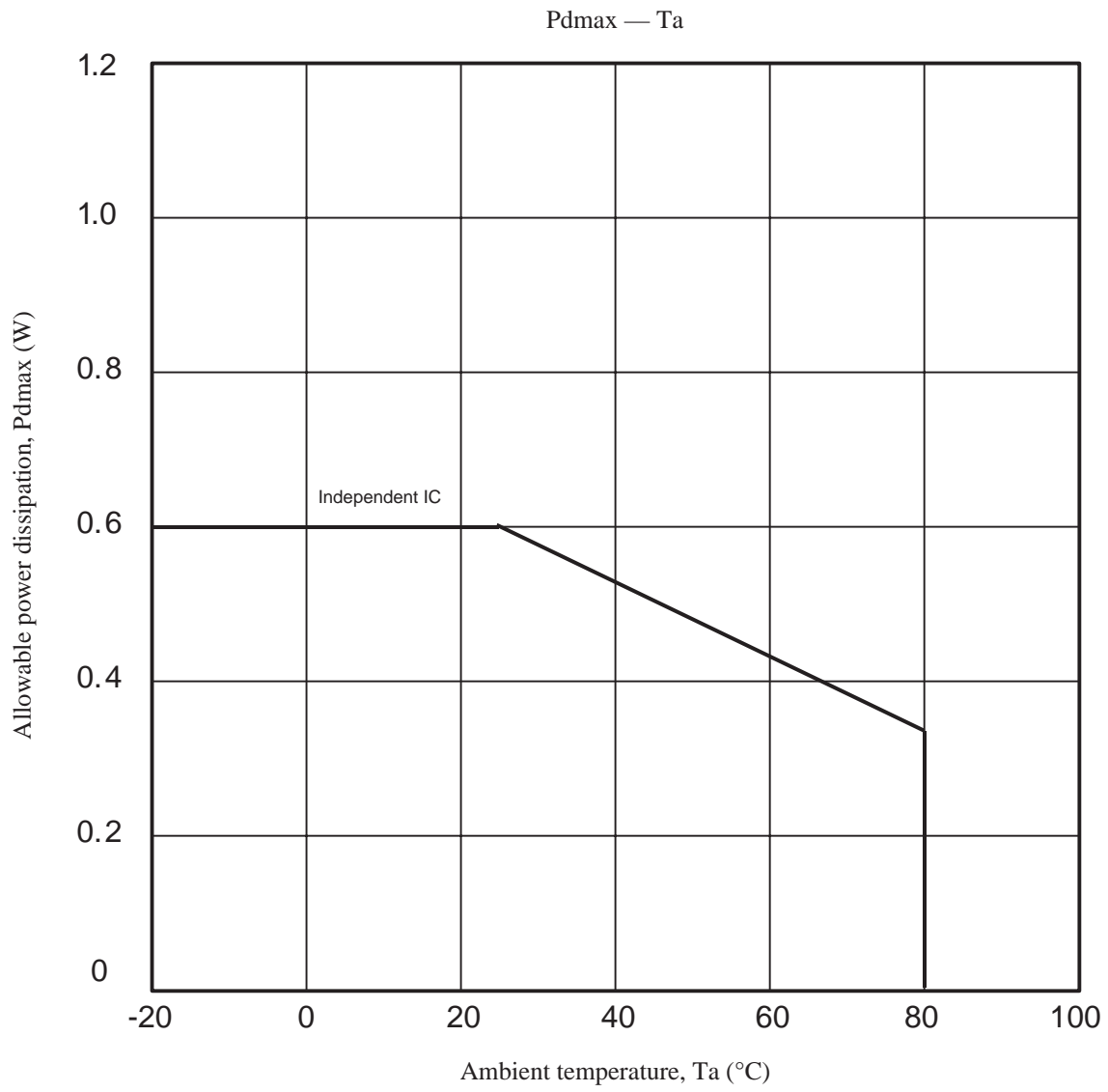
Note: * Items shown to be design target values are not measured.

LB11817

Pin Assignment



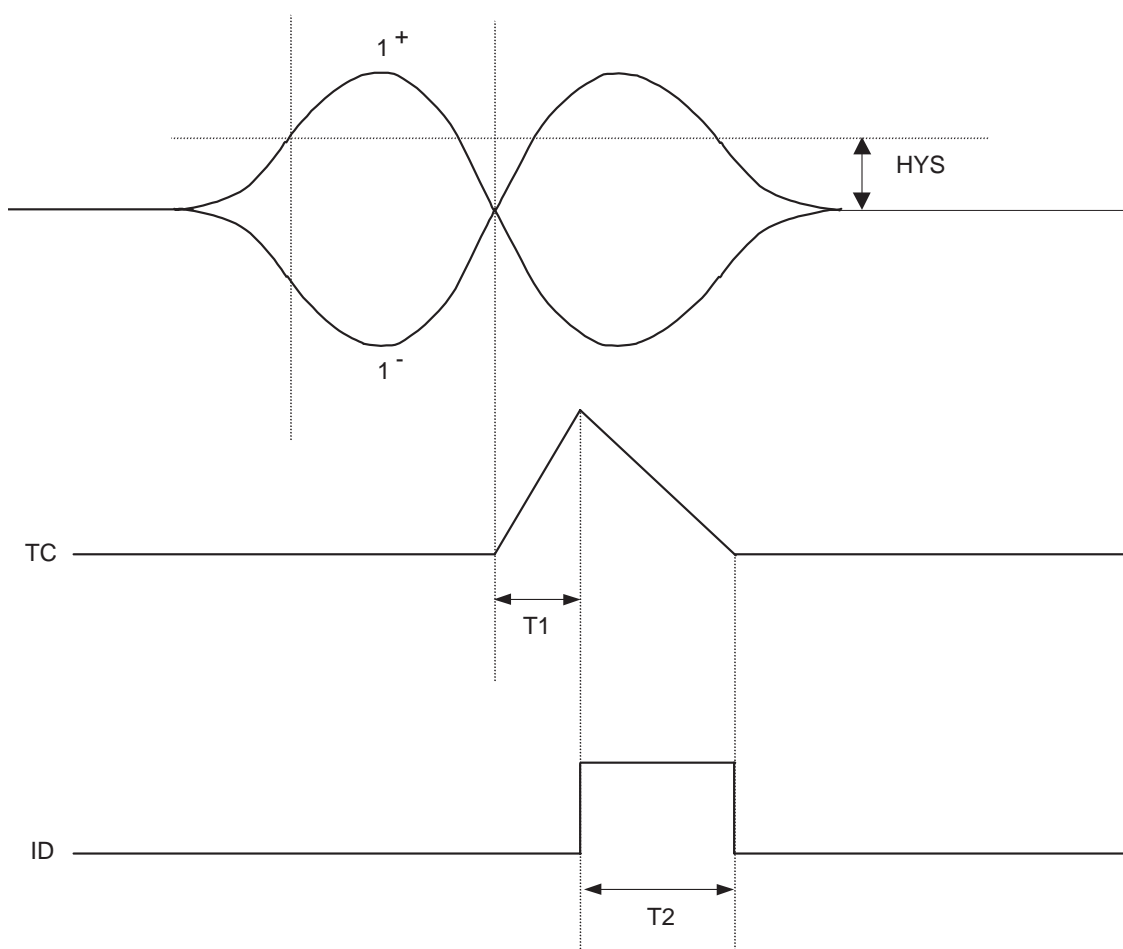
Top view



Truth Table

	Source → sink	Hall input		
		U	V	W
1	V → W	H	H	L
2	V → U	L	H	L
3	W → U	L	H	H
4	W → V	L	L	H
5	U → V	H	L	H
6	U → W	H	L	L

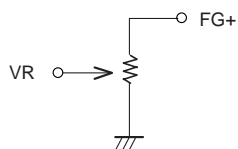
Index Delay Pulse Timing Chart



T1 ≈ 1.363 ms SL = H
 T1 ≈ 1.635 ms SL = L

$$T2 \approx \frac{1.25}{V_{VR}} \times T1$$

(V_{VR} is the pin voltage)



LB11817

Pin Functions

Pin No.	Symbol	Pin voltage	Function	Equivalent circuit
1	TC		<ul style="list-style-type: none"> Connection for the external capacitor used to adjust the index timing. 	
2	ID	L: 0.4 Vmax H: 4.5 Vmin	<ul style="list-style-type: none"> Index output 	
3	S/S	L: 1.0 Vmax H: 3.5 Vmin	<ul style="list-style-type: none"> Start/stop control. This is an active-low input. 	
4	SL	L: 1.0 Vmax H: 3.5 Vmin	<ul style="list-style-type: none"> Speed switching input 	
5	CLK	L: 0.5 Vmax H: V _{CC} - 1.0 Vmin	<ul style="list-style-type: none"> Reference clock input. The threshold voltage is 1.25 V. At 1 MHz, the LB11817 supports speeds of 300 and 360 rpm. 	
6	FC		<ul style="list-style-type: none"> Frequency characteristics correction. Oscillation in the current control closed-loop circuit can be stopped by inserting a capacitor between this pin and ground. 	
7	DO		<ul style="list-style-type: none"> Speed discriminator 	

Continued on next page.

LB11817

Continued from preceding page.

Pin No.	Symbol	Pin voltage	Function	Equivalent circuit
8	GND		<ul style="list-style-type: none"> • Ground This pin and pin 34 must all be connected to the frame ground. 	
9	V _{CC}	4.2 to 6.5 V	<ul style="list-style-type: none"> • Supply voltage This voltage must be stabilized so that ripple and noise do not enter the IC. 	
10	VP	$V_{CC} + 1.55 V_{typ}$ (I _p = -5 mA)	<ul style="list-style-type: none"> • Boosted voltage output Used as the output transistor pre-driver power supply. This boosted voltage is used when a low saturation output is provided. In all other cases this pin will be at the V_{CC} potential. 	
11	RF		<ul style="list-style-type: none"> • Output current detection An RF resistor inserted between this pin and V_{CC} converts the output current to the voltage used for output current detection. The current limiter circuit operates by detecting the voltage on this pin. 	
12 15	D2 D1		<ul style="list-style-type: none"> • Connections for the two diodes used by the voltage boost function. 	
13 14	B2 B1		<ul style="list-style-type: none"> • Boost function switching circuit outputs 1 and 2 	
17 19 20	W _{OUT} V _{OUT} U _{OUT}		<ul style="list-style-type: none"> • W-phase output • V-phase output • U-phase output 	

Continued on next page.

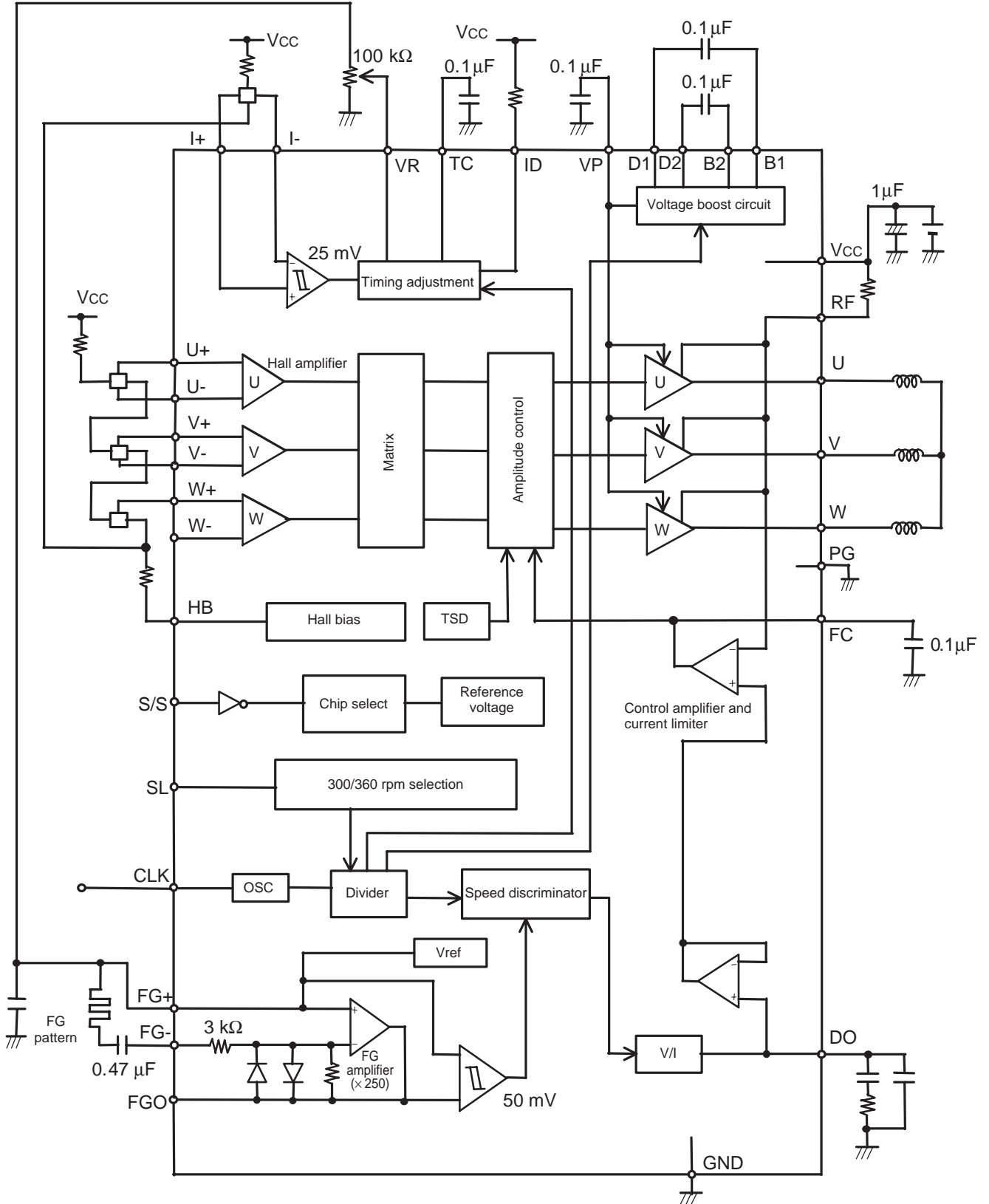
LB11817

Continued from preceding page.

Pin No.	Symbol	Pin voltage	Function	Equivalent circuit
18	PGND		<ul style="list-style-type: none"> Output transistor ground 	
24 25 26 27 28 29	U _{IN+} U _{IN-} V _{IN+} V _{IN-} W _{IN+} W _{IN-}	1.5 V _{min} V _{CC} - 1.0 V _{max}	<ul style="list-style-type: none"> U-phase Hall device inputs V-phase Hall device inputs W-phase Hall device inputs 	
30	HB	0.8 V _{typ} (I _H = 5 mA)	<ul style="list-style-type: none"> Negative potential that provides Hall device bias current In the stopped state, this pin is set to the open state to cut off the Hall device bias current. 	
31 32 33	FGO FG+ FG-	2.5 V _{typ}	<ul style="list-style-type: none"> FG amplifier output FG amplifier minus input FG amplifier plus input A 2.5 V reference voltage is generated internally by the IC. 	
34 35	I+ I-		<ul style="list-style-type: none"> Index inputs 	
36	VR		<ul style="list-style-type: none"> Index timing adjustment voltage input 	

Block Diagram

Note that the values of the external components shown here are reference values and are not guaranteed to be appropriate in a given application.



- Specifications of any and all SANYO products described or contained herein stipulate the performance, characteristics, and functions of the described products in the independent state, and are not guarantees of the performance, characteristics, and functions of the described products as mounted in the customer's products or equipment. To verify symptoms and states that cannot be evaluated in an independent device, the customer should always evaluate and test devices mounted in the customer's products or equipment.
- SANYO Electric Co., Ltd. strives to supply high-quality high-reliability products. However, any and all semiconductor products fail with some probability. It is possible that these probabilistic failures could give rise to accidents or events that could endanger human lives, that could give rise to smoke or fire, or that could cause damage to other property. When designing equipment, adopt safety measures so that these kinds of accidents or events cannot occur. Such measures include but are not limited to protective circuits and error prevention circuits for safe design, redundant design, and structural design.
- In the event that any or all SANYO products (including technical data, services) described or contained herein are controlled under any of applicable local export control laws and regulations, such products must not be exported without obtaining the export license from the authorities concerned in accordance with the above law.
- No part of this publication may be reproduced or transmitted in any form or by any means, electronic or mechanical, including photocopying and recording, or any information storage or retrieval system, or otherwise, without the prior written permission of SANYO Electric Co., Ltd.
- Any and all information described or contained herein are subject to change without notice due to product/technology improvement, etc. When designing equipment, refer to the "Delivery Specification" for the SANYO product that you intend to use.
- Information (including circuit diagrams and circuit parameters) herein is for example only; it is not guaranteed for volume production. SANYO believes information herein is accurate and reliable, but no guarantees are made or implied regarding its use or any infringements of intellectual property rights or other rights of third parties.

This catalog provides information as of June, 1999. Specifications and information herein are subject to change without notice.