

**SANYO**

No.2868A

**LA7951**

**Video Switch for TV / VCR Use**

**Overview**

The LA7951 Video Switch is a solid-state 4-input 4-output video switch ideally suited for use as a video selector switch in multiple-source video systems and multiple VCR video editing systems.

The switching logic, coupled with built-in video amplifier, ripple filter and 75Ω output driver facilitate a minimum parts count video switching subsystem. The solid-state switches feature low crosstalk and wide bandwidth.

The LA7951 operates from a single 12V power supply, and is available in 14-pin plastic DIPs.

**Features**

- 4-input 4-output multi-functional video switch
- Low crosstalk, wide bandwidth
- Internal 6dB video amplifier
- Ripple filter
- 75Ω output driver for video monitor (COMMON OUT)

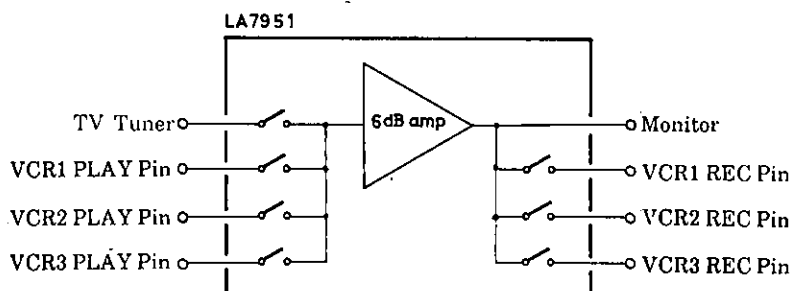


Figure 1. Editing System Switch Connections

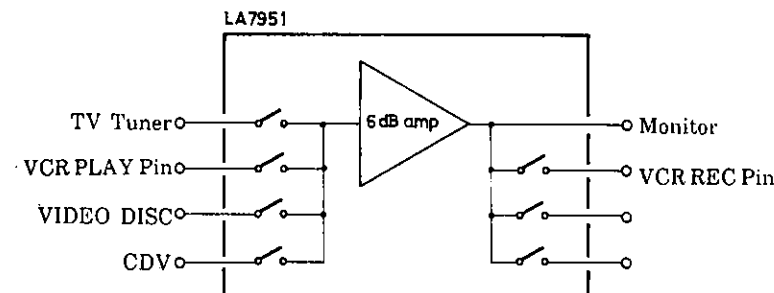
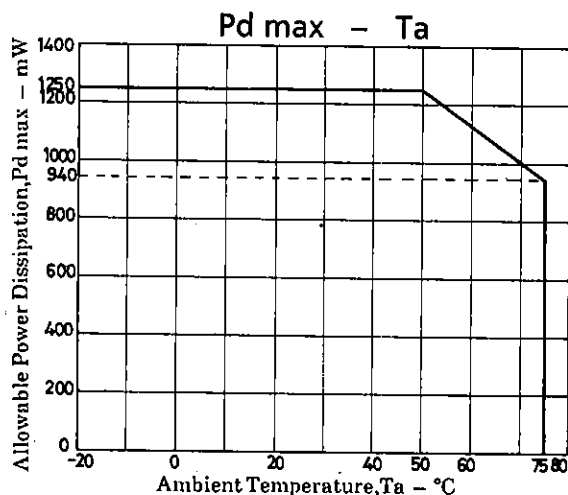


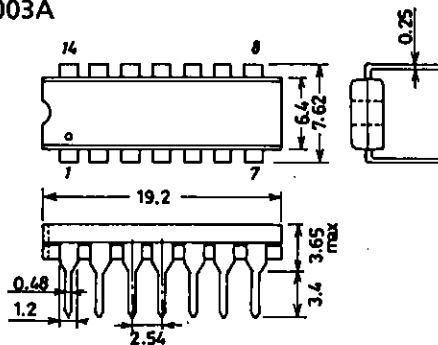
Figure 2. Video Selector Switch Connections



**Package Dimensions**

(unit : mm)

3003A



SANYO: DIP14

# LA7951

## Maximum Ratings at Ta = 25°C

			unit
Maximum Supply Voltage	V <sub>4</sub> max	14	V
Maximum Control	V <sub>6</sub> max, V <sub>9</sub> max	V <sub>CC</sub>	V
Input Voltage	V <sub>13</sub> max		
Maximum Signal	I <sub>1</sub> max	-5	mA
Output Current (1)			
Maximum Signal	I <sub>7</sub> max, I <sub>8</sub> max	-20	mA
Output Current (2)	I <sub>14</sub> max		
Allowable Power Dissipation	P <sub>d</sub> max	Ta ≤ 50°C	1.25 W
Operating Temperature	T <sub>opr</sub>	-20 to +75	°C
Storage Temperature	T <sub>stg</sub>	-55 to +125	°C

## Operating Conditions at Ta = 25°C

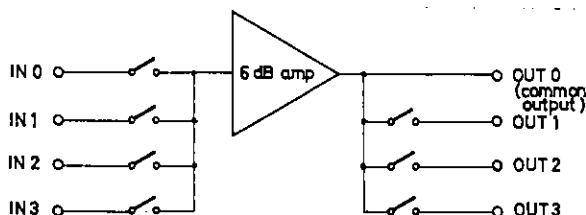
			unit
Recommended Supply Voltage	V <sub>CC</sub>	12	V
Operating Voltage Range	V <sub>CC</sub> op	9 to 13.2	V

## Operating Characteristics at Ta = 25°C, V<sub>CC</sub> = 12V

			min	typ	max	unit
Quiescent Current	I <sub>CC</sub>	Pins 7,8,14 open Pins 6,9,13 to GND	20	27.5	37	mA
Input Pin Bias Voltage	V <sub>3</sub> , V <sub>5</sub> , V <sub>10</sub> , V <sub>12</sub>		2.6	3.1	3.6	V
Output Pin Bias Voltage (1)	V <sub>1</sub>		4.6	5.3	6.0	V
Output Pin Bias Voltage (2)	V <sub>7</sub> , V <sub>8</sub> , V <sub>14</sub>		3.3	4.0	4.7	V
Control Threshold Voltage H1	V <sub>6H</sub>		2.3		V <sub>CC</sub>	V
Control Threshold Voltage H2	V <sub>9H</sub> , V <sub>13H</sub>		3.0		V <sub>CC</sub>	V
Control Threshold Voltage L1	V <sub>6L</sub>		0		0.8	V
Control Threshold Voltage L2	V <sub>9L</sub> , V <sub>13L</sub>		0		1.5	V
Control Input Current 1	I <sub>6</sub>	V <sub>6</sub> = 5V		0.32	0.5	mA
Control Input Current 2	I <sub>9</sub> , I <sub>13</sub>	V <sub>9</sub> = V <sub>13</sub> = 5V		0	-50	μA
Voltage Gain 1	GV1	f = 1MHz, V <sub>o</sub> = 1V <sub>pp</sub> See Note.	-0.5	+0.5	+1.5	dB
Voltage Gain 2	GV2	f = 1MHz, V <sub>o</sub> = 1V <sub>pp</sub> See Note.	-0.7	+0.3	+1.3	dB
Frequency Characteristics	GV <sub>f</sub>	f = 100kHz, V <sub>o</sub> = 1V <sub>pp</sub> = 0dB, f = 10MHz See Note.	-3	-1		dB
Output Noise Voltage	V <sub>N</sub>	BPF = 10kHz to 4.2MHz See Note.		0.5	1.0	mVrms
Output Dynamic Range 1	DR1	f = 10kHz, V <sub>o</sub> = 1.5V <sub>pp</sub> See Note.		0.5	1.2	%
Output Dynamic Range 2	DR2	f = 10kHz, V <sub>o</sub> = 1.5V <sub>pp</sub> See Note.		1.0	2.0	%
Crosstalk 1	CT1	f = 4MHz, V <sub>o</sub> = 1V <sub>pp</sub> See Note.	-50	-55		dB
Crosstalk 2	CT2	f = 4MHz, V <sub>o</sub> = 1V <sub>pp</sub> See Note.	-20	-40		dB

Note) Measured output terminated with 75Ω. Current flowing into IC is taken as plus (+). Parameter 1 refers to the COMMON OUT signal output and parameter 2 to the OUT1 to OUT3 signal outputs.

## Video Switch Block Diagram

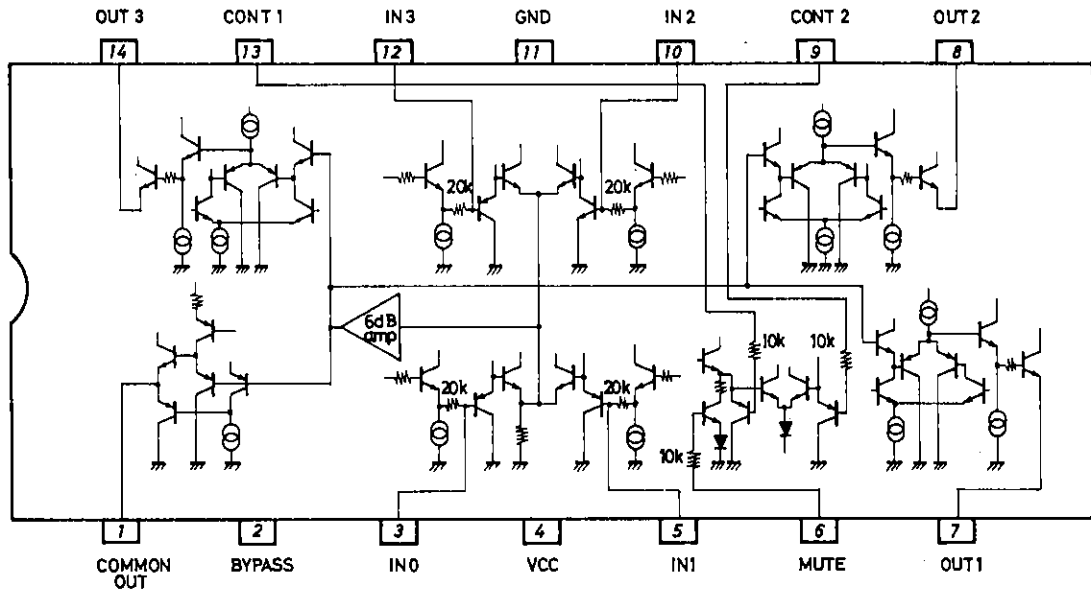


# LA7951

## Switching Functions

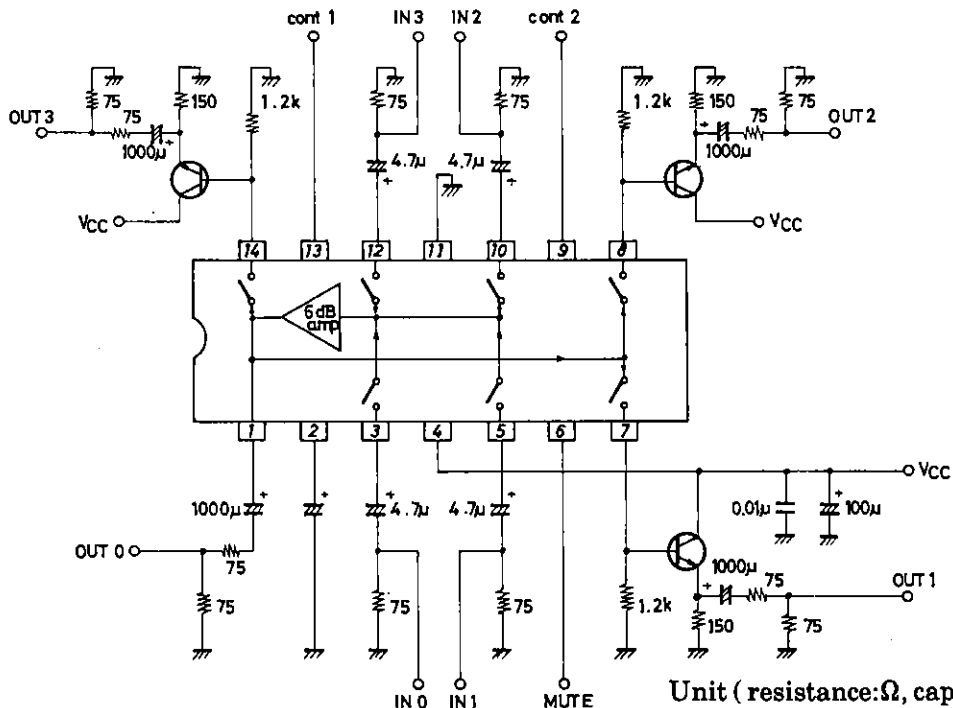
Control			Input				Output			
MUTE (Pin 6)	1 (Pin 13)	2 (Pin 9)	0 (Pin 3)	1 (Pin 5)	2 (Pin 10)	3 (Pin 12)	COMMON (Pin 1)	1 (Pin 7)	2 (Pin 8)	3 (Pin 14)
L	-	-	OFF	OFF	OFF	OFF	ON	OFF	OFF	OFF
H	L	L	ON	OFF	OFF	OFF	ON	ON	ON	ON
H	L	H	OFF	ON	OFF	OFF	ON	OFF	ON	ON
H	H	L	OFF	OFF	ON	OFF	ON	ON	OFF	ON
H	H	H	OFF	OFF	OFF	ON	ON	ON	ON	OFF

## Equivalent Circuit Block Diagram



Unit (resistance:Ω)

## Sample Application Circuit



Unit (resistance:Ω, capacitance:F)

The power supply decoupling capacitor should be mounted as close to the LA7951 as physically possible.

- No products described or contained herein are intended for use in surgical implants, life-support systems, aerospace equipment, nuclear power control systems, vehicles, disaster/crime-prevention equipment and the like, the failure of which may directly or indirectly cause injury, death or property loss.
- Anyone purchasing any products described or contained herein for an above-mentioned use shall:
  - ① Accept full responsibility and indemnify and defend SANYO ELECTRIC CO., LTD., its affiliates, subsidiaries and distributors and all their officers and employees, jointly and severally, against any and all claims and litigation and all damages, cost and expenses associated with such use.
  - ② Not impose any responsibility for any fault or negligence which may be cited in any such claim or litigation on SANYO ELECTRIC CO., LTD., its affiliates, subsidiaries and distributors or any of their officers and employees jointly or severally.
- Information (including circuit diagrams and circuit parameters) herein is for example only; it is not guaranteed for volume production. SANYO believes information herein is accurate and reliable, but no guarantees are made or implied regarding its use or any infringements of intellectual property rights or other rights of third parties.

This catalog provides information as of **December, 1996**. Specifications and information herein are subject to change without notice.