



# LA7852

## CRT Display Synchronization Deflection Circuit

### Overview

The LA7852 is a sync-deflection circuit IC dedicated to CRT display use. It can be connected to the LA7832/7833, 7837/7838 (for vertical output use) to form a sync-deflection circuit that meets every requirement for CRT display use.

So far, ICs for color TV use have been applied to the sync-deflection circuit for CRT display use, and general-purpose ICs such as one-shot multivibrator, inverter and a lot of transistors have been used to form the peripherals such as sync input interface, horizontal phase shifter. The LA7852 contains these peripherals on chip and adopts a stable circuit for horizontal oscillation from 15 kHz to 100 kHz aiming at improving the characteristics required for CRT display use.

The LA7852 has independent GND pins for the horizontal block and vertical block, thus facilitating pattern layout for applications where the LA7852 is used at high frequencies.

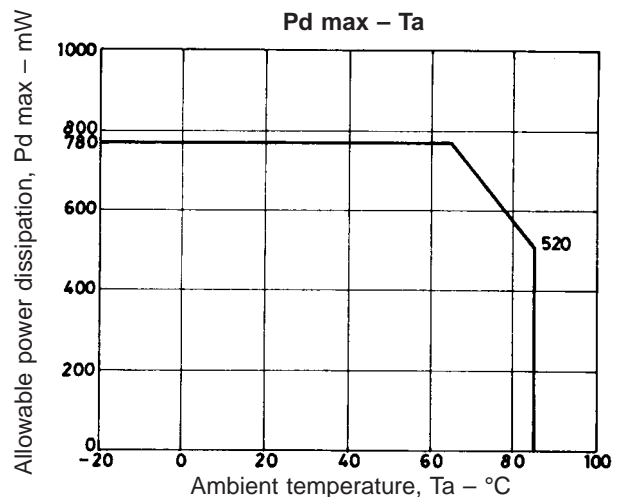
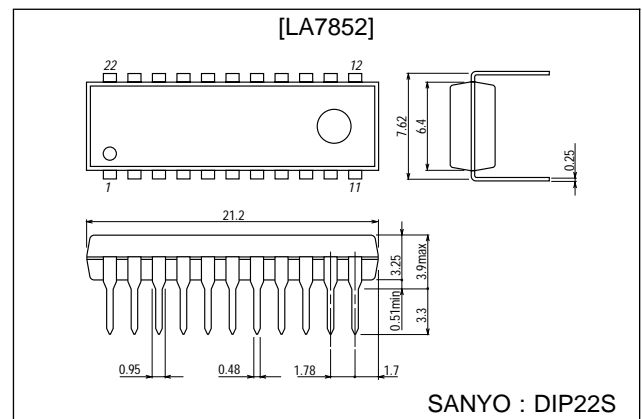
### Features

- The vertical pull-in range is approximately 10 Hz at  $f_v = 60$  Hz.
- The horizontal oscillation frequency can be adjusted stably from 15 kHz to 100 kHz.
- The horizontal display can be shifted right/left.
- The horizontal/vertical sync input can be used intact regardless of the difference in pulse polarity and pulse width.
- The AFC feedback sawtooth wave can be obtained by simply applying a flyback pulse to the IC as a trigger pulse.
- Any duty of the horizontal pulse can be set.
- Good vertical linearity because DC bias at vertical output stage is subjected to sampling control within retrace time.
- Excellent interlace and vertical jitter characteristics on the high-definition display because of independent GND pins for the horizontal block and vertical block.

### Package Dimensions

unit : mm

#### 3059-DIP22S



■ Any and all SANYO products described or contained herein do not have specifications that can handle applications that require extremely high levels of reliability, such as life-support systems, aircraft's control systems, or other applications whose failure can be reasonably expected to result in serious physical and/or material damage. Consult with your SANYO representative nearest you before using any SANYO products described or contained herein in such applications.

■ SANYO assumes no responsibility for equipment failures that result from using products at values that exceed, even momentarily, rated values (such as maximum ratings, operating condition ranges, or other parameters) listed in products specifications of any and all SANYO products described or contained herein.

## Built-in Functions

[Horizontal Block]

- AFC
- Horizontal OSC
- X-ray protector
- Horizontal phase shift
- AFC sawtooth wave generator
- Horizontal pulse duty setting

[Vertical Block]

- Vertical OSC
- Vertical sawtooth wave generator
- Sampling type DC voltage control

## Specifications

### Maximum Ratings at Ta = 25°C

Parameter	Symbol	Conditions	Ratings	Unit
Maximum supply voltage	V <sub>11</sub> , V <sub>22</sub>		14	V
Allowable power dissipation	Pd max	Ta ≤ 65°C	780	mW
Operating temperature	Topr		-20 to +85	°C
Storage temperature	Tstg		-55 to +125	°C

### Operating Conditions at Ta = 25°C

Parameter	Symbol	Conditions	Ratings	Unit
Recommended supply voltage	V <sub>11</sub> , V <sub>22</sub>		12	V
Operating voltage range	V <sub>11</sub> , V <sub>22</sub>		9 to 13.5	V
Recommended vertical pulse input peak value	V <sub>PULSE</sub>		5	Vp-p
Operating vertical pulse input peak value range	V <sub>PULSE</sub>		2 to 6	Vp-p
Recommended horizontal pulse input peak value	H <sub>PULSE</sub>		5	Vp-p
Operating horizontal pulse input peak value range	H <sub>PULSE</sub>		2 to 6	Vp-p

### Operating Characteristics at Ta = 25°C, V<sub>11</sub>, V<sub>22</sub> = 12 V

Parameter	Symbol	Conditions	min	typ	max	Unit
V <sub>CC11</sub> current dissipation	I <sub>11</sub>		12		30	mA
V <sub>CC22</sub> current dissipation	I <sub>22</sub>		5		12	mA
Vertical frequency pull-in range	V <sub>p IN</sub>	Vertical sync 60 Hz	10.0		12.0	Hz
Vertical free-running frequency	f <sub>v</sub>	f <sub>v</sub> center 55 Hz	50		60	Hz
Increased/reduced voltage characteristic of vertical frequency	Δf <sub>v-v</sub>	V <sub>22</sub> = 12 ± 1 V, 55 Hz at 12 V	-0.1		+0.1	Hz
Midpoint control threshold level			3.8		4.4	V
Vertical OSC start voltage	F <sub>v•st</sub>				4.0	V
Temperature characteristic of vertical frequency		Ta = -10 to +60°C	-0.028		+0.028	Hz/°C
Vertical driver amplification factor	G <sub>v</sub>		12		18	dB
Horizontal AFC DC loop gain	I <sub>AFC+</sub>		0.85		1.6	mA
	I <sub>AFC-</sub>		-1.6		-0.85	mA
Horizontal free-running frequency	f <sub>H</sub>	f <sub>H</sub> center 15.734 kHz	-750		+750	Hz
Horizontal OSC start voltage	f <sub>H•st</sub>				4.0	V
Increased/reduced voltage characteristic of horizontal frequency	Δf <sub>H•v</sub>	V <sub>11</sub> = 12 ± 1 V, 15.734 kHz at 12 V	-50		+50	Hz
Horizontal OSC warm-up drift	Δf <sub>H</sub>	5 s to 30 min. after application of power	-50		+50	Hz
Temperature characteristic of horizontal frequency		Ta = -10 to +60°C	-2.9		+2.9	Hz/°C
Horizontal output drive current	I <sub>13</sub>		6.0		12.0	mA

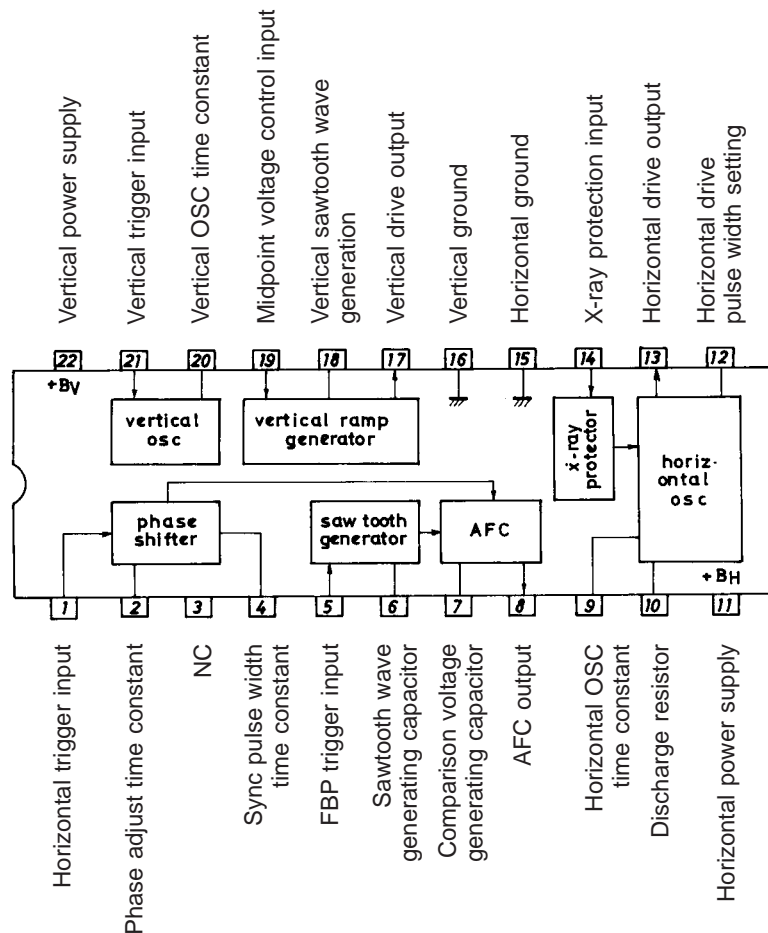
Continued on next page.

# LA7852

Continued from preceding page.

Parameter	Symbol	Conditions	min	typ	max	Unit
Increased/reduced voltage characteristic of phase shifter delay time		$V_{11} = 12 \pm 1 \text{ V}$	-0.5		+0.5	%/V
Temperature characteristic of phase shifter delay time		$T_a = -10 \text{ to } +60^\circ\text{C}$	-0.1		+0.1	%/°C
Increased/reduced voltage characteristic of phase shifter delay time		$V_{11} = 12 \pm 1 \text{ V}$	-1.0		+1.0	%/V
Temperature characteristic of phase shifter pulse width		$T_a = -10 \text{ to } +60^\circ\text{C}$	-0.13		+0.13	%/°C
AFC phase comparison center time		15.734 kHz after FBP input	9.9		11.5	$\mu\text{s}$
Increased/reduced voltage characteristic of AFC phase comparison center time		$V_{11} = 12 \pm 1 \text{ V}$	-1.5		+1.5	%/V
Temperature characteristic of AFC phase comparison center time		$T_a = -10 \text{ to } +60^\circ\text{C}$	-0.2		+0.2	%/°C
Comparison waveform generating input operation voltage	$V_5$		0.6		0.9	V
Pin 14 voltage at hold-down operation start	$V_{14}$		0.5		0.8	V

## Equivalent Circuit Block Diagram

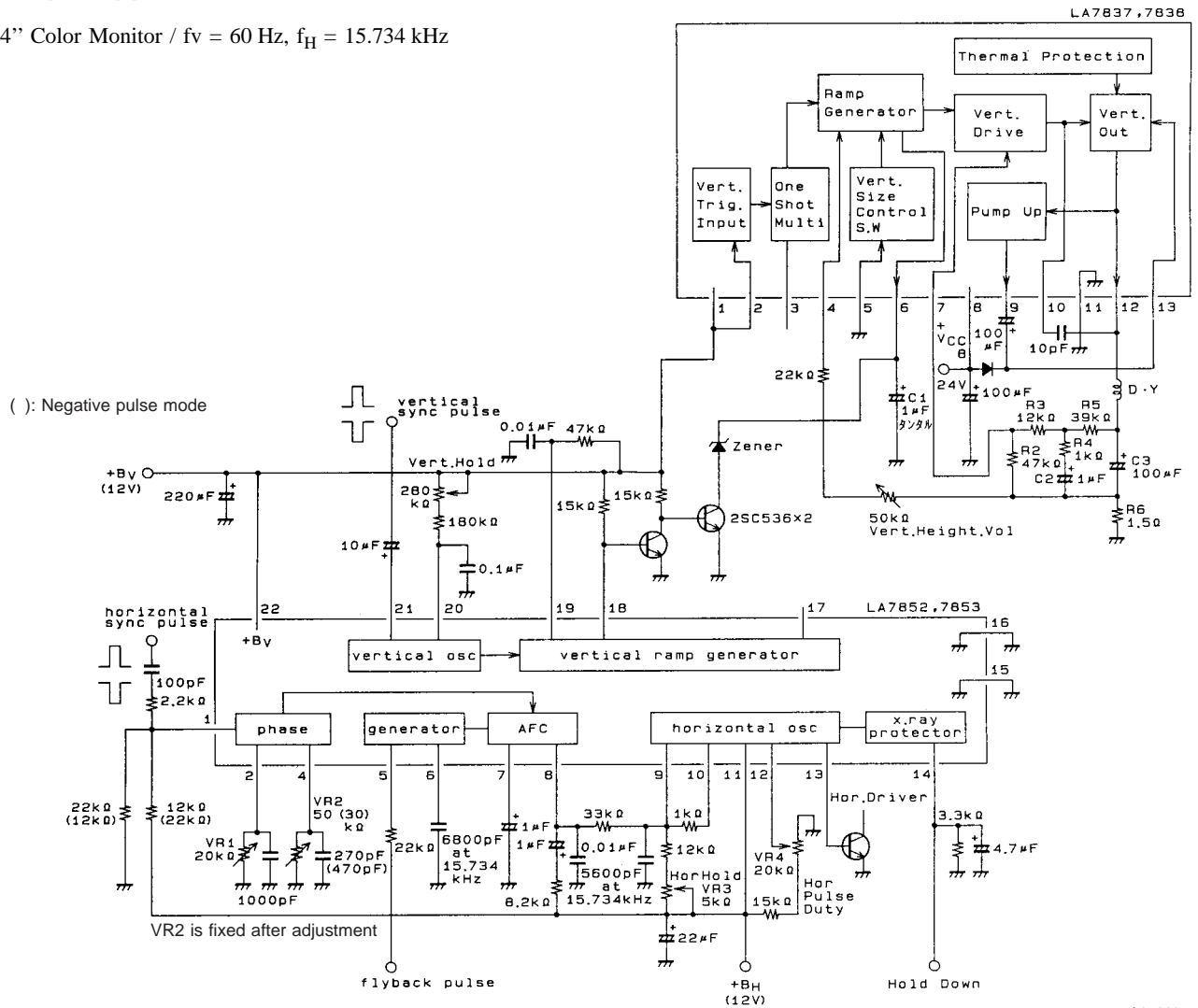




# LA7852

## Sample Application Circuit

14" Color Monitor /  $f_v = 60 \text{ Hz}$ ,  $f_H = 15.734 \text{ kHz}$



A05903

## LA7850 Family

Type Number		LA7850	LA7851	LA7852	LA7853
Package		DIP-20S (Slim Type)	DIP-20S (Slim Type)	DIP-22S (Shrink Type)	DIP-22S (Shrink Type)
Differences in characteristics	Vertical pull-in range ( $f_v = 60 \text{ Hz}$ )	10 Hz	20 Hz	10 Hz	20 Hz
	Ground pin	Horizontal/vertical common	horizontal/vertical common	Horizontal/vertical separated	Horizontal/vertical separated

- Specifications of any and all SANYO products described or contained herein stipulate the performance, characteristics, and functions of the described products in the independent state, and are not guarantees of the performance, characteristics, and functions of the described products as mounted in the customer's products or equipment. To verify symptoms and states that cannot be evaluated in an independent device, the customer should always evaluate and test devices mounted in the customer's products or equipment.
- SANYO Electric Co., Ltd. strives to supply high-quality high-reliability products. However, any and all semiconductor products fail with some probability. It is possible that these probabilistic failures could give rise to accidents or events that could endanger human lives, that could give rise to smoke or fire, or that could cause damage to other property. When designing equipment, adopt safety measures so that these kinds of accidents or events cannot occur. Such measures include but are not limited to protective circuits and error prevention circuits for safe design, redundant design, and structural design.
- In the event that any or all SANYO products(including technical data, services) described or contained herein are controlled under any of applicable local export control laws and regulations, such products must not be exported without obtaining the export license from the authorities concerned in accordance with the above law.
- No part of this publication may be reproduced or transmitted in any form or by any means, electronic or mechanical, including photocopying and recording, or any information storage or retrieval system, or otherwise, without the prior written permission of SANYO Electric Co., Ltd.
- Any and all information described or contained herein are subject to change without notice due to product/technology improvement, etc. When designing equipment, refer to the "Delivery Specification" for the SANYO product that you intend to use.
- Information (including circuit diagrams and circuit parameters) herein is for example only ; it is not guaranteed for volume production. SANYO believes information herein is accurate and reliable, but no guarantees are made or implied regarding its use or any infringements of intellectual property rights or other rights of third parties.

This catalog provides information as of August, 1996. Specifications and information herein are subject to change without notice.