

**SANYO**

No.2208A

**LA7770**

FSK Receiver for CATV Use

**Overview**

The LA7770 is a CATV-oriented wide-band FSK (frequency shift keying) receiver IC encapsulated in a DIP20S package that incorporates the functions required to demodulate scramble decoding data (i. e., the oscillator, mixer, limiting IF amplifier, squelcher, and data shaper functions).

**Features**

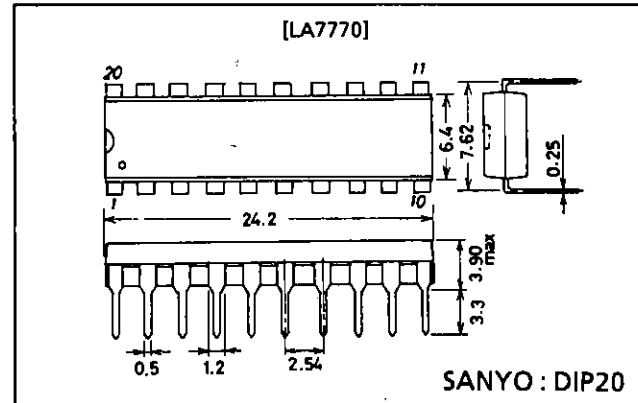
- High limiting sensitivity.
- Incorporating a common-collector oscillator enables LC, crystal, or SAW-R (surface acoustic wave resonator) operated oscillations, as required by application.

**Functions**

- Mixer
- Limiting IF amplifier
- Squelch meter drive
- Oscillator
- Quadrature detector
- Data shaper

**Package Dimensions**

unit: mm  
3021B-DIP20

**Specifications**Maximum Ratings at  $T_a = 25^\circ\text{C}$ 

Parameter	Symbol	Conditions	Ratings	Unit
Maximum supply voltage	$V_{CC4 \text{ max}}$		15	V
	$V_{CC6 \text{ max}}$		15	V
Maximum flow-in current	$I_{18 \text{ max}}$		3	mA
Allowable power dissipation	$P_d \text{ max}$	$T_a \leq 65^\circ\text{C}$	770	mW
Operating temperature	$T_{opr}$		-20 to +85	$^\circ\text{C}$
Storage temperature	$T_{stg}$		-55 to +125	$^\circ\text{C}$

Operating Conditions at  $T_a = 25^\circ\text{C}$ 

Parameter	Symbol	Conditions	Ratings	Unit
Operating voltage range	$V_{CC4}$		9 to 12	V
Operating voltage range	$V_{CC6}$		9 to 12	V
Comparator input voltage range	V16, V19		2V to $(V_{CC} - 2V)$	V

**SANYO Electric Co., Ltd. Semiconductor Business Headquarters**  
TOKYO OFFICE Tokyo Bldg., 1-10, 1 Chome, Ueno, Taito-ku, TOKYO, 110 JAPAN

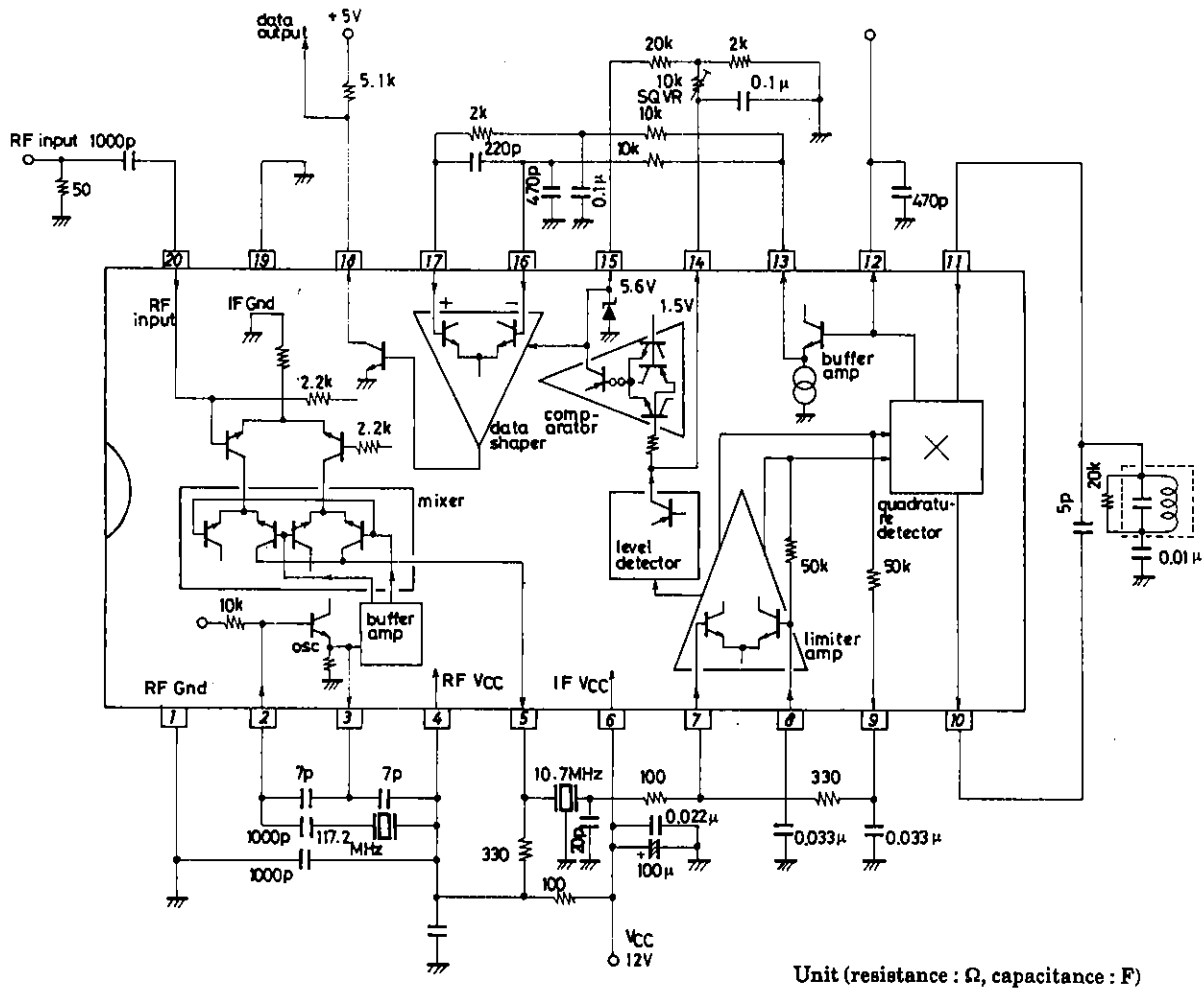
O0695TH (KOTO)/D088MO/O127TA, TS No.2208-1/6

# LA7770

## Operating Characteristics at $T_a = 25^\circ\text{C}$

Parameter	Symbol	Conditions	min	typ	max	Unit
Quiescent current	$I_{CC0}$	SQ-off	22	29	37	mA
Circuit current	$I_{CC}$	SQ-on	23.0	30.5	39.0	mA
Mixer input capacitance	$C_i$	100MHz		7		pF
Mixer input resistance	$r_i$	100MHz		680		$\Omega$
Mixer voltage gain	$V_{gm}$	$R_L = 330\Omega, 106.5M \rightarrow 10.7M$	9	12	15	dB
-3dB limiting sensitivity	$V_i$	$\Delta F = \pm 75\text{kHz dev, at } 1\text{kHz}$		25	31	dB/ $\mu\text{V}$
S/N	S/N	$\Delta F = \pm 75\text{kHz dev, at } 1\text{kHz}$	47	55		dB
Total harmonic distortion	THD	$\Delta F = \pm 75\text{kHz dev, at } 1\text{kHz}$		0.6	2	%
Demodulation output	$V_o$	$\Delta F = \pm 75\text{kHz dev, at } 1\text{kHz}$	300	440	600	mVrms
AM rejection	AMR	AM : 30% at 1kHz	47	55		dB
Meter drive	$I_D$	$300\mu\text{A} \rightarrow 600\mu\text{A}$	5	12	20	$\mu\text{A/dB}$
Squelch threshold voltage	$V_{14TH}$	DC	0.8	1.5	2.2	V
Data shaper input current	$I_{16}$	DC		0.7	3.0	$\mu\text{A}$
Output saturation voltage	$V_{18(sat)}$	$I_{18} = 2\text{mA}$		0.1	0.7	V
Duty	TD	$f = 14\text{kHz}$		2.5	5.0	%

## Equivalent Circuit Block Diagram



**LA7770 Dynamic Behavior and Cautions on Designing**

**(1) Mixer**

A double differential type mixer is employed with its input circuit configured as shown in Fig.1, where the input signal is mixed with the oscillator output by its double differential circuit. The mixed signal will be output from its open collector pin 5.

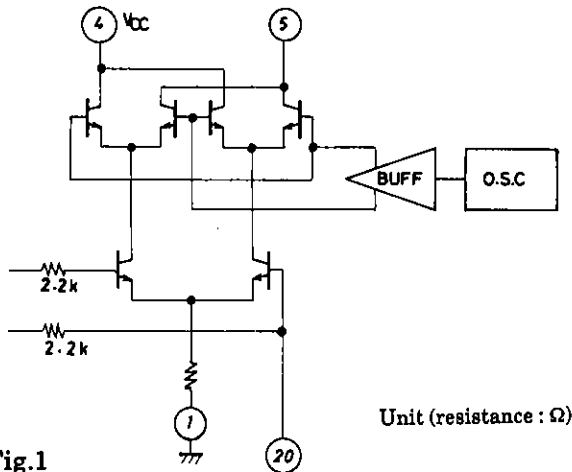


Fig.1

Unit (resistance :  $\Omega$ )

**Caution**

- a. Since an internal bias is applied to the input pin (pin 20), be sure to provide a DC blocking capacitor as shown in Fig.2.
- b. Connect the decoupling capacitor across pins 4 and 1 with the shortest possible wiring.

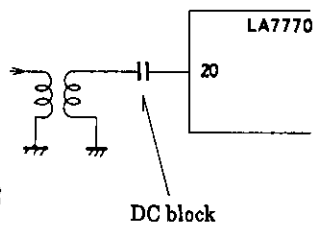


Fig.2

DC block

**(2) Oscillator**

A common-collector oscillator is employed as shown in Fig.3, and enables the LC, crystal, or SAW-R operated oscillations.

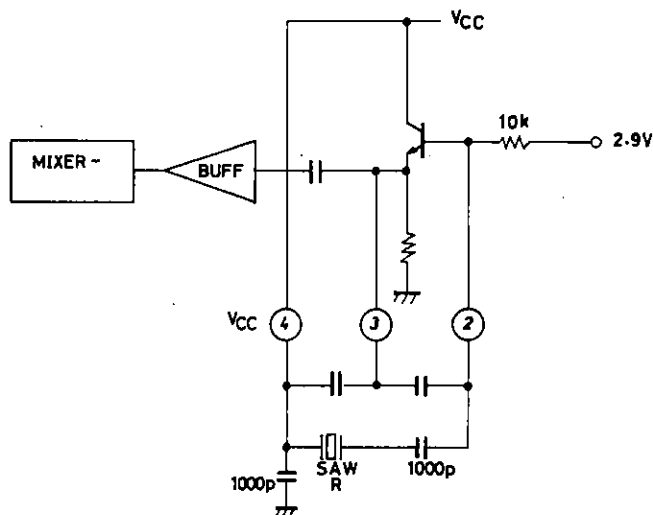


Fig.3

Unit (resistance :  $\Omega$ , capacitance : F)

(3) IF Limiting Amplifier

The limiter amp employed is made up of DC feedback-provided 6-stage direct-coupled differential amplifiers. Simplified, its circuit is represented in Fig.4 below.

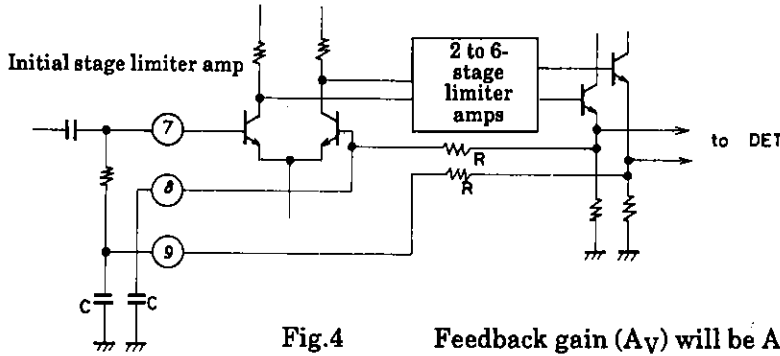


Fig.4

$$\text{Feedback gain (A}_V\text{) will be } A_V = \frac{A}{1+A\beta} = \frac{1}{\frac{1}{A} + \beta} \approx \frac{1}{\beta}$$

$$\text{where feedback depth } \beta = \left| \frac{V_2}{V_1} \right| = \frac{1}{\sqrt{1+(\omega CR)^2}}$$

so that the decoupling capacitor C should be made sufficiently large in capacitance within the operating frequency band to achieve its low impedance.

(4) Quadrature Detector

The quadrature detector converts a frequency-modulated signal into a phase-modulated one by passing it through a phase shifter, and then demodulates it by converting it again into voltage with its phase detector.

The quadrature detector block of the LA7770 is configured as shown in Fig.5 below.

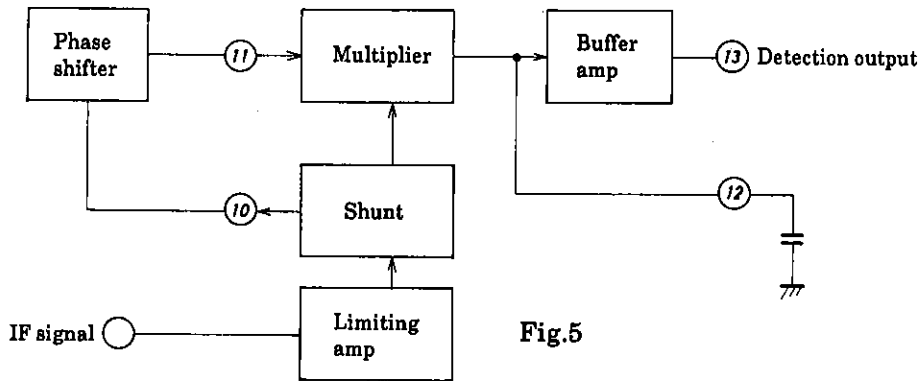


Fig.5

Phase Shifter

The phase shifter is an important element of the quadrature detector, and it dictates the detection characteristics of the latter.

The following phase-shifter-related parameters may be cited.

1. Demodulation output .... Chiefly QL
2. Distortion Factor ..... Phase shifter linearity and symmetry of S curve

\*While the phase shifting linearity may be enhanced with a single tuning circuit by lowering its QL and broadening its frequency band, its demodulation output will also be lowered in the process.

Single Tuning Circuit Phase Shifter

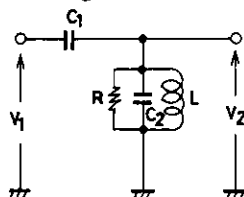


Fig.6

In the Fig.6 phase shifter,

$$\frac{V_2}{V_1} = \frac{\frac{1}{j\omega C_2 + \frac{1}{R} + j\omega L}}{\frac{1}{j\omega C_1} + \frac{1}{j\omega C_2 + \frac{1}{R} + j\omega L}} = \frac{1}{\frac{\omega^2 L (C_1 + C_2) - 1}{\omega^2 L C_1} - j \frac{1}{\omega C_1 R}}$$

Requirements to achieve a 90° phase shift will be :

$$\omega^2 L (C_1 + C_2) = 1 \quad \therefore f = \frac{1}{2\pi\sqrt{L (C_1 + C_2)}}$$

$$\omega = \frac{1}{\sqrt{L (C_1 + C_2)}}$$

$$\left| \frac{V_2}{V_1} \right| = \frac{1}{\sqrt{\left( \frac{\omega^2 L (C_1 + C_2) - 1}{\omega^2 L C_1} \right)^2 + \left( \frac{1}{\omega^2 C_1 R} \right)^2}}$$

At the tuning point :

$$\left| \frac{V_2}{V_1} \right| = \frac{1}{\sqrt{\left( \frac{1}{\omega C_1 R} \right)^2}} = \omega C_1 R$$

(5) Meter Drive and Squelch

A forward bias is provided to the meter drive dedicated detector, to enable its detector diode to detect low-level signals. In addition, a bias canceler is also provided to eliminate the offsetting current in a no-signal mode created by the forward bias. Furthermore, to broaden the linear operating range, signals are fetched from the 3rd and 5th stage outputs of the limiter amp, for composition together after level detection.

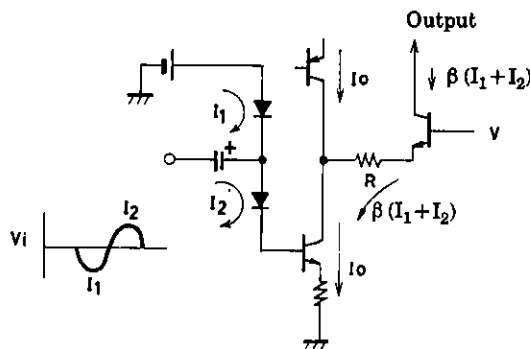
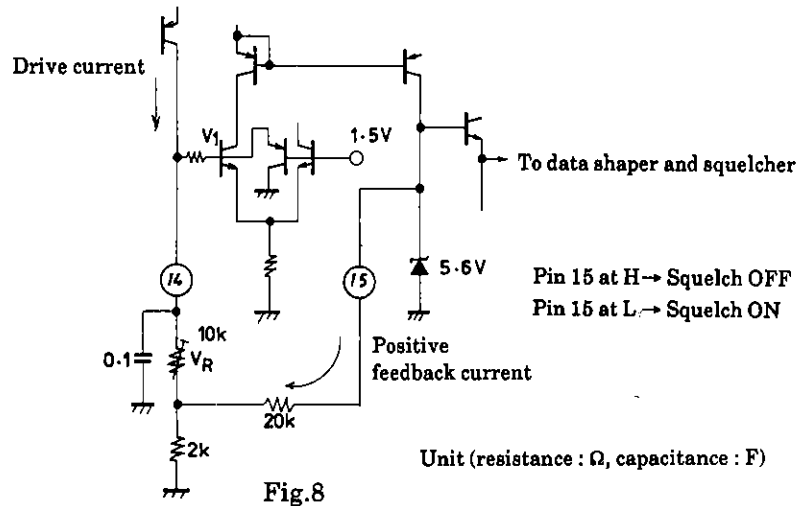


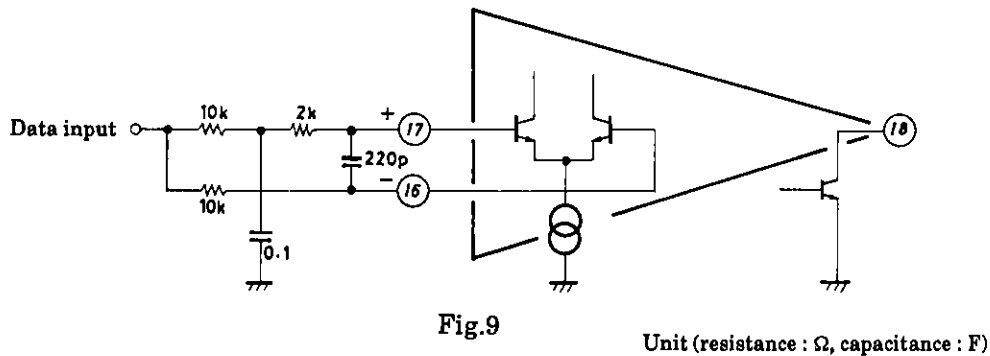
Fig.7

The composite current after the level detection flows out from pin 14, and after its being converted to a voltage by an externally connected circuit, will determine  $V_1$  of the comparator. The squelch circuit may be provided with hysteresis by providing a resistor feedback from pin 15 to pin 14.



#### (6) Data Shaper

The data shaper is a high-impedance input differential amplifier that provides an open-collector output. It serves to facilitate the design for matching with a following stage (such as a CPU).



- No products described or contained herein are intended for use in surgical implants, life-support systems, aerospace equipment, nuclear power control systems, vehicles, disaster/crime-prevention equipment and the like, the failure of which may directly or indirectly cause injury, death or property loss.
- Anyone purchasing any products described or contained herein for an above-mentioned use shall:
  - ① Accept full responsibility and indemnify and defend SANYO ELECTRIC CO., LTD., its affiliates, subsidiaries and distributors and all their officers and employees, jointly and severally, against any and all claims and litigation and all damages, cost and expenses associated with such use;
  - ② Not impose any responsibility for any fault or negligence which may be cited in any such claim or litigation on SANYO ELECTRIC CO., LTD., its affiliates, subsidiaries and distributors or any of their officers and employees jointly or severally.
- Information (including circuit diagrams and circuit parameters) herein is for example only; it is not guaranteed for volume production. SANYO believes information herein is accurate and reliable, but no guarantees are made or implied regarding its use or any infringements of intellectual property rights or other rights of third parties.

This catalog provides information as of October, 1995. Specifications and information herein are subject to change without notice.