

The LA7696 is a color TV on-screen display interface IC. The R, G, B graphic input signals can be used to provide channel display and the fast blanking input signal can be used to provide black-bordered character, etc. The LA7696 also contains an auto green function to make green color more vivid and a service switch function in a DIP-20 slim-type package.

Input signals are R-Y, G-Y, B-Y, and -Y and output signals are converted to R, G, B primary color signals.

Functions and Features

- The R, G, B graphic input signals can be used to provide on-screen display.
 - The R, G, B graphic input signals can be combined to select six colors in addition to white and black.
- Fast blanking function
- The black level and white level can be set separately, as desired, in the graphic mode.
- Output of primary color drive type (input: R-Y, G-Y, B-Y, -Y)
- Excellent frequency characteristic allowing the LA7696 to be used in a high-resolution TV
- Auto green function
 - Bluish green turns more vivid green.
- Service switch function
 - It is easy to control the screen grid.
- The LA7696 can be easily used in conjunction with the LA7650, 7680 (under development) series.

Maximum Ratings at $T_a = 25^\circ\text{C}$

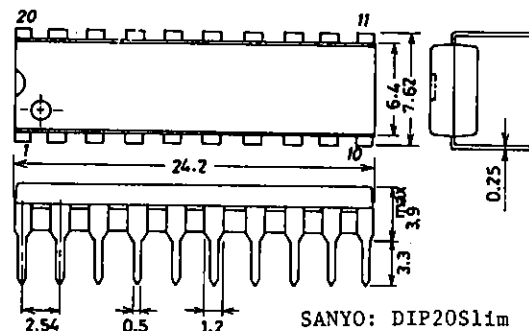
			unit
Maximum Supply Voltage	V_{20} max	14	V
	V_O max	Pins 15,17,19	14 V
IC Flow-out Current	I_O max	Pins 14,16,18	20 mA
Allowable Power Dissipation	P_d max	$T_a \leq 65^\circ\text{C}$	770 mW
Operating Temperature	T_{op}	-10 to +65	$^\circ\text{C}$
Storage Temperature	T_{stg}	-55 to +125	$^\circ\text{C}$

Operating Conditions at $T_a = 25^\circ\text{C}$

Recommended Supply Voltage	V_{20}	12	V
Operating Voltage Range	$V_{20\text{op}}$	10 to 13	V

Package Dimensions

(unit : mm)
3021B

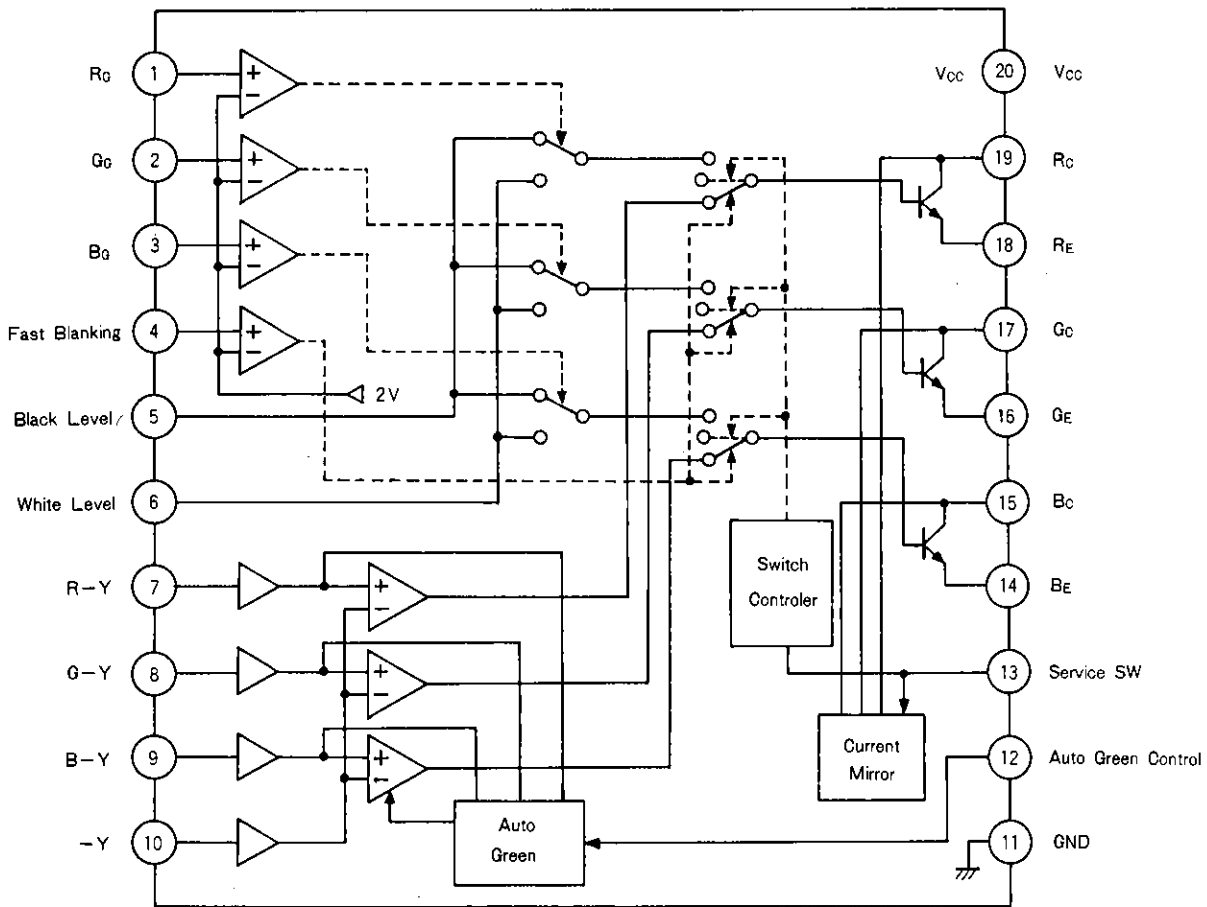


LA7696

Operating Characteristics at Ta = 25°C, V _{CC} = V ₂₀ = 12V *C = R, G, B				min	typ	max	unit
Output Breakdown Voltage	BV _{CEO}	I _C = 0.1mA, I _B = 0 (V ₁₃ = 5.0V)	16				V
Supply Current	I _{CC20}		27	35	44		mA
Output DC Voltage	V _{EC}	-Y = 4.0Vdc, C-Y = 5.2Vdc Pin13 : open	4.5	5.0	5.5		V
Output DC Differential Voltage	ΔV _{EC}		-0.2	0	+0.2		V
Service Current	I _{C FACT}	V ₁₃ = 5.0V			0.1		mA
	I _{C Field}	Pin 13 : Pulled up to V _{CC} with 2.2kΩ	2.5	2.7	2.9		mA
Graphics Black Level	V _{BLC}	V _{BL} = 4.3Vdc, CG = 0V, FB = 5V	4.5	5.0	5.5		V
Graphics White Level	V _{WLC}	V _{WL} = 5.4Vdc, CG = FB = 5V	5.5	6.0	6.5		V
Gain	G	C-Y = 5.2Vdc, -Y = 3.5Vdc, 1Vp-p, f = 1kHz	0.90	0.95	1.00		
Frequency Characteristics	f-3dB	C-Y = 5.2Vdc, -Y = 3.5Vdc, 1Vp-p	8.0	14.0			MHz
Output Voltage at OFF Mode	V _{R,G,B}	C-Y = 5.2Vdc, -Y = 5.0Vdc	4.4	4.5	4.6		V
-Y Distortion Factor	-Y _{Dist}	-Y = 3.5Vdc, 1Vp-p, 1kHz C-Y = 5.2Vdc			1		%
C-Y Distortion Factor	C-Y _{Dist}	C-Y = 5.2Vdc, 1Vp-p, 1kHz -Y = 3.5Vdc			1		%
CG&FB Pulse Width	P _{W CGFB}	FB = CG = 5Vp-o, 250ns, -Y = 4.5Vdc, V _{WL} = 5.9Vdc, C-Y = 5.2Vdc	205	255	305		ns
CG&FB Delay Time	T _{d CGFB}	"		68	100		ns
FB Pulse Width	P _{W FB}	FB = 5Vp-o, 250ns, -Y = 2.5Vdc, V _{BL} = 4.3Vdc, C-Y = 5.2Vdc	215	265	315		ns
FB Pulse Width Error	ΔP _{W FB}	"	-25	0	+25		ns
FB Delay Time	T _{d FB}	"		57	100		ns
CG Pulse Width	P _{W CG}	FB = 5Vdc, CG = 5Vp-o, 250ns V _{WL} = 5.9Vdc, V _{BL} = 3.8Vdc	215	265	315		ns
CG Pulse Width Error	ΔP _{W CG}	"	-25	0	+25		ns
CG Delay Time	T _{d CG}	"		65	100		ns
Maximum Auto-Green	AG max	R-Y = B-Y = 5.2Vdc, G-Y = 6.2Vdc -Y = 2.0Vdc, V ₁₂ = 0 → 12V	1.9	2.3	2.7		V
Middle Auto-Green	AG mid	R-Y = B-Y = 5.2Vdc, G-Y = 6.2Vdc -Y = 2.0Vdc, V ₁₂ = 0 → 8V	0.9	1.1	1.3		V
Input "H"-Level Voltage	V _{IH}	C-Y = 5.2Vdc, -Y = 4.0Vdc V _{BL} = 5.4V, V _{WL} = 5.9V	2.3				V
Input "L"-Level Voltage	V _{IL}	C-Y = 5.2Vdc, -Y = 4.0Vdc V _{BL} = 5.4V, V _{WL} = 5.9V			0.8		V
V _{CC} Dependence of Output DC Voltage	ΔV _{out}	-Y = 4.0Vdc, C-Y = 5.2Vdc (V _{CC} = 12V)	4.4	9.4	14.4		%/V

Note) Be sure to connect a protection resistor to pins 15, 17, 19 to prevent the IC from breaking down when discharge occurs in the cathode-ray tube.

Block Diagram



**Auto Green Function
Basic Operation**

When a standard NTSC demodulator is used to demodulate green color, an original green color turns bluish green. The auto green function works to reduce the B-Y component for green color correction so that the original green color can be reproduced faithfully. This correction can be provided in the range shown in Fig.1.

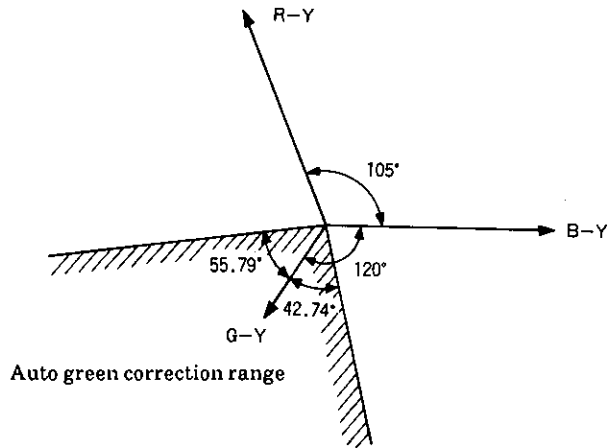


Fig.1 Auto Green Correction Range

The auto green function compares each color difference signal of R-Y, G-Y, B-Y and if the G-Y component is larger than the R-Y, B-Y components the B-Y component is reduced in proportion to the difference between them.

The auto green function is also capable of providing your desired correction by setting the control voltage on pin 12. When the control voltage on pin 12 is changed as 0V→12V, the input signals are changed equivalently as shown in Example 1. Actually, 5.2V offset given to R-Y, G-Y, B-Y with -Y = 4V causes the B output (pin 14 of LA7696) to change as 4.83V→4.64V.

Example 1
Control voltage on pin12

$$\begin{array}{ccc}
 & 0\text{V} \xrightarrow{\hspace{2cm}} 12\text{V} & \\
 \left(\begin{array}{l} \text{R-Y} = -0.212\text{V} \\ \text{G-Y} = +0.100\text{V} \\ \text{B-Y} = -0.167\text{V} \text{ min} \end{array} \right. & \begin{array}{c} \text{Changed} \\ \text{equivalently} \end{array} & \left(\begin{array}{l} \text{R-Y} = -0.212\text{V} \\ \text{G-Y} = +0.100\text{V} \\ \text{B-Y} = -0.358\text{V} \text{ max} \end{array} \right)
 \end{array}$$

If the G-Y component is +0.1V when a color on the G-Y demodulation axis comes, the B output voltage changes with the control voltage on pin 12 as shown in Fig.2. The maximum change is -0.19V.

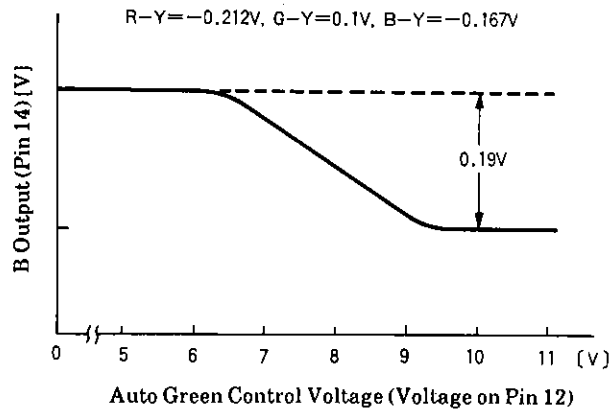


Fig.2. Auto Green Characteristic

Function of the Service Switch

(screen grid voltage adjustment function during white balance adjustment)

The LA7679 output can be switched between the three modes a, b and c described below by the state of pin 13.

a) Service switch function (for adjustment by a serviceman in the field)

This function is provided to allow the screen grid voltage to be adjusted easily during white balance adjustment.

As shown in Figure 3, when pin 13 is connected to V_{CC} through the resistor R13, the pin 15, 17 and 19 output transistors will be off. At the same time, a current equivalent to the current (I_{13}) flowing in resistor R13 flows into each of the pins 15, 17 and 19. As a result, the CRT cathode potential can be fixed at an arbitrary value by changing R13. Thus the screen grid voltage can be adjusted easily.

The current flowing into pins 15, 17 and 19 is determined by the following formula.

$$I_{15} = I_{17} = I_{19} = I_{13} = \frac{V_{CC}}{2 \times R13}$$

Since pin 13 is connected to V_{CC} through a 2.2k Ω resistor, a current of about 2.7mA flows into each pin 15, 17 and 19. If + High B is set to 200V, the CRT cathode is fixed at 160V. The purpose of Tr1 is to protect the IC.

b) Service switch function (for adjustment at the factory)

The pin 15, 17 and 19 currents can be set to 0 ($I_{15} = I_{17} = I_{19} = 0$) by applying 5V (when $V_{CC} = 12\text{V}$) to pin 13. In this state the pin 15, 17 and 19 output transistors will be off. Fix the CRT cathode potential by connecting a constant current source to the points (a total of 3 points) indicated with stars in Figure 3, and then adjust the screen grid voltage.

This mode is appropriate for use in the manufacturing process where the TV set is assembled.

c) Normal operation

When pin 13 is left open, the video signal will be output from pins 15, 17 and 19.

LA7696

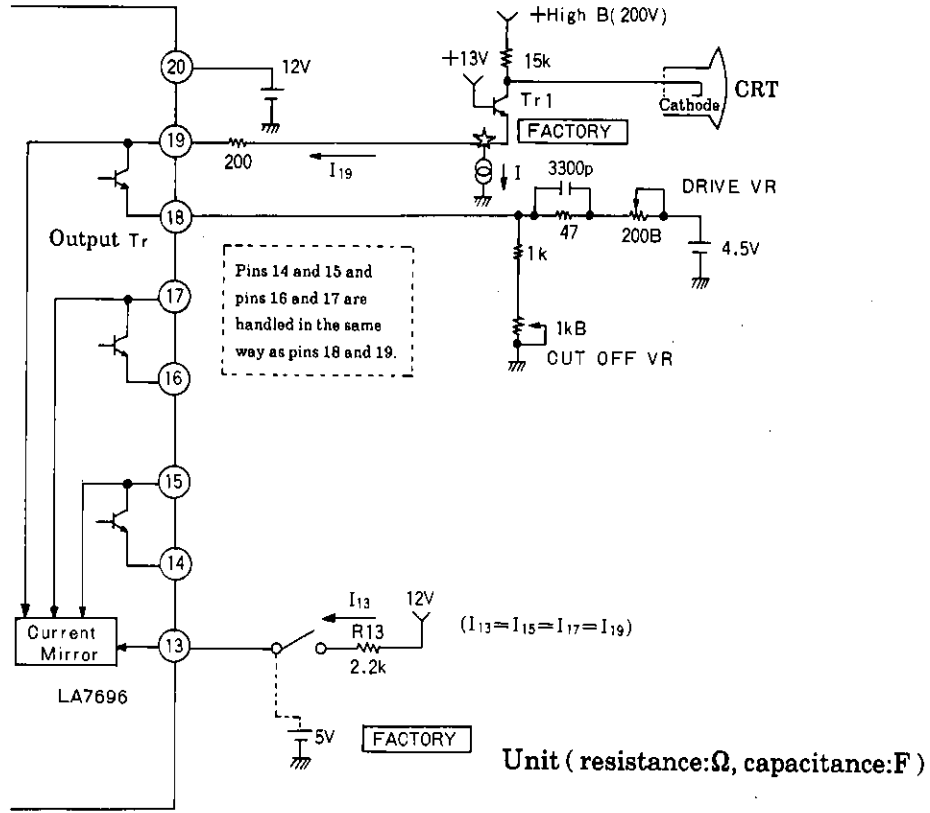
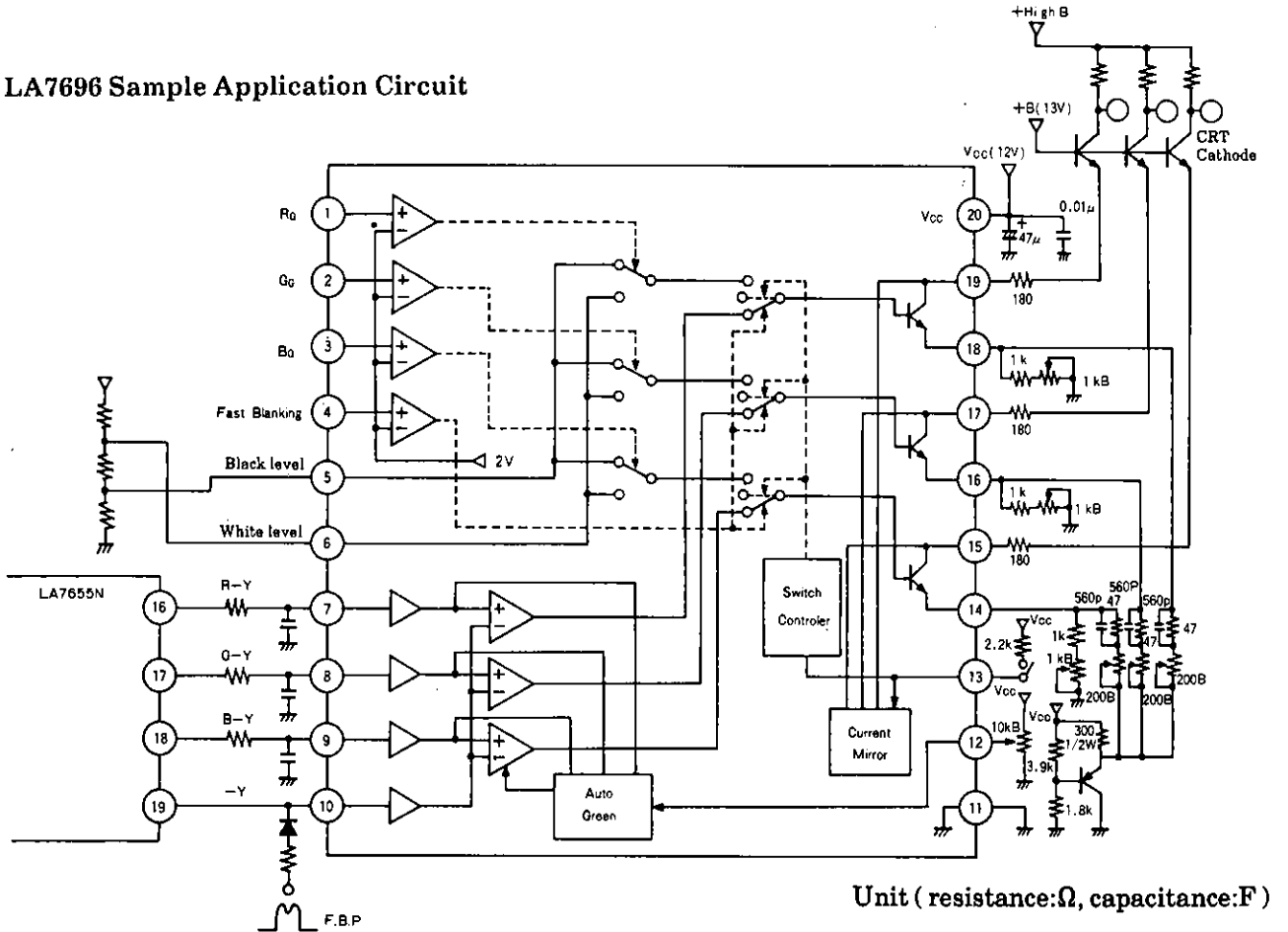


Fig.3 Function of the service switch

LA7696 Sample Application Circuit



- No products described or contained herein are intended for use in surgical implants, life-support systems, aerospace equipment, nuclear power control systems, vehicles, disaster/crime-prevention equipment and the like, the failure of which may directly or indirectly cause injury, death or property loss.
- Anyone purchasing any products described or contained herein for an above-mentioned use shall:
 - ① Accept full responsibility and indemnify and defend SANYO ELECTRIC CO., LTD., its affiliates, subsidiaries and distributors and all their officers and employees, jointly and severally, against any and all claims and litigation and all damages, cost and expenses associated with such use:
 - ② Not impose any responsibility for any fault or negligence which may be cited in any such claim or litigation on SANYO ELECTRIC CO., LTD., its affiliates, subsidiaries and distributors or any of their officers and employees jointly or severally.
- Information (including circuit diagrams and circuit parameters) herein is for example only; it is not guaranteed for volume production. SANYO believes information herein is accurate and reliable, but no guarantees are made or implied regarding its use or any infringements of intellectual property rights or other rights of third parties.

This catalog provides information as of **June , 1996** . Specifications and information herein are subject to change without notice.