



# LA7356, LA7356M

## For Use in VCR Products PAL/SECAM (MESECAM) Discrimination IC

### Overview

The LA7356 and LA7356M are PAL/SECAM discrimination ICs. Since these products do not require external circuits such as ceramic filters and tank resonators, the number of external components is reduced. Thus they allow the discriminator block to be implemented in a smaller space and at a lower cost.

### Functions

- Burst/CW switching
- Limit amplifier
- Frequency - phase conversion
- Phase comparator
- Comparator

### Features

- These products enable the implementation of discrimination circuits with high sensitivity even with weak signals or with strong burst input levels.
- Ceramic capacitors are the only required external components when used in conjunction with the Sanyo LA7430 and LA7435. In particular, ceramic filters and tank circuits are not required.
- Completely adjustment-free
- Low power dissipation
- Compact package

### Specifications

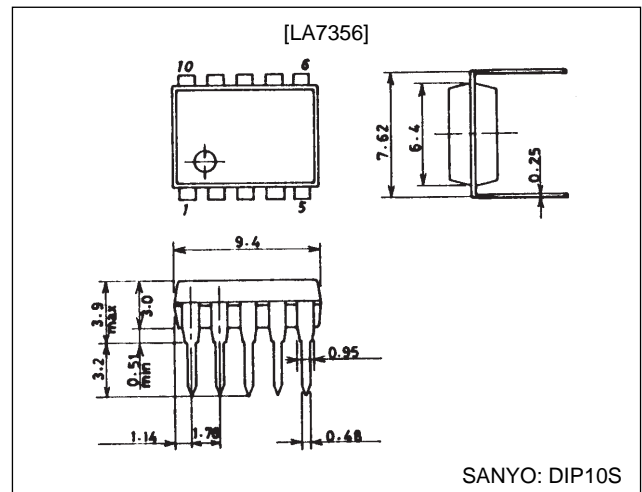
#### Maximum Ratings at $T_a = 25^\circ\text{C}$

Parameter	Symbol	Conditions	Ratings	Unit
Maximum supply voltage	$V_{CC \text{ max}}$		7.0	V
Allowable power dissipation	$P_d \text{ max}$	$T_a \leq +65^\circ\text{C}$	120	mW
Operating temperature	$T_{opr}$		-10 to +65	$^\circ\text{C}$
Storage temperature	$T_{stg}$		-40 to +125	$^\circ\text{C}$

### Package Dimensions

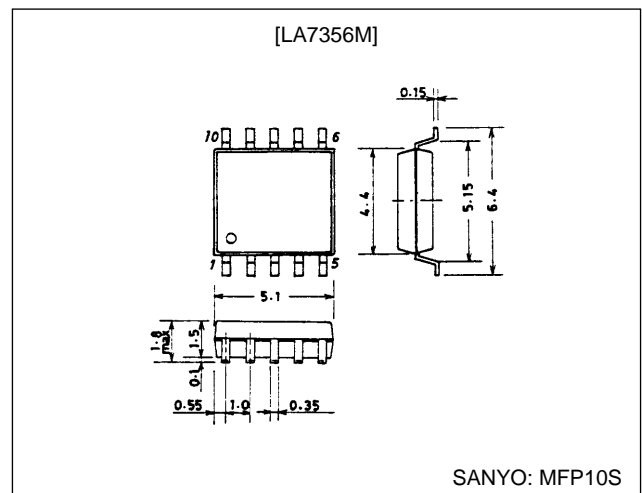
unit: mm

#### 3098B-DIP10S



unit: mm

#### 3086A-MFP10S



## LA7356, 7356M

### Operating Conditions at $T_a = 25^\circ\text{C}$

Parameter	Symbol	Conditions	Ratings	Unit
Supply voltage	$V_{CC}$		5.0	V
Operating supply voltage range	$V_{CC\text{ op}}$		4.8 to 5.2	V

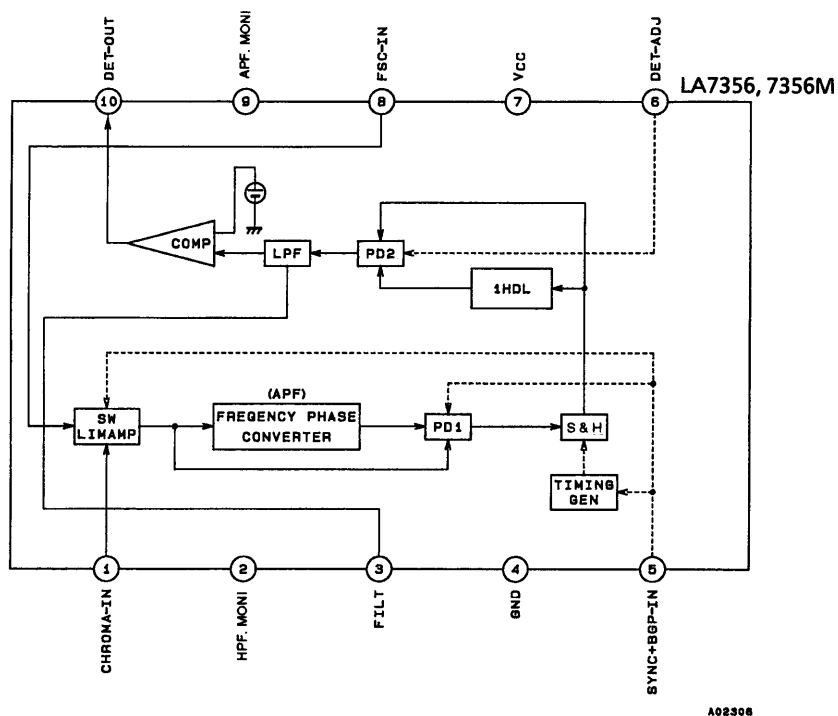
### Operating Characteristics at $T_a = 25^\circ\text{C}$ , $V_{CC} = 5\text{ V}$

Parameter	Symbol	Conditions	Ratings			Unit
			min	typ	max	
Quiescent current (1)	$I_{CC1}$	Pin 5 = GND, Pin 7: input current, Output: T4	7.0	10.0	13.0	mA
Quiescent current (2)	$I_{CC2}$	Pin 5 = $V_{CC}$ , Pin 7: input current, Output: T4	7.5	10.5	13.5	mA
BGP threshold level	BTH	Slowly increase the DC voltage applied to pin 5 starting at 0 V. The pin 5 voltage input signal when a signal appears on pin 2 is 300 mV p-p. Output: T2	2.2	2.5	2.8	V
SYNC threshold level	STH	Slowly increase the DC voltage applied to pin 5 starting at 0 V. The pin 5 voltage input signal when a signal appears on pin 2 is 300 mV p-p. Output: T2	0.6	0.8	1.0	V
Input limit amplifier gain	LIMG	Defined as the output ratio when a 10 mVp-p amplitude sine wave is input to pin 1. Output: T2	9	12	15	dB
Input limit amplifier limit level	LIMD	Observe the output amplitude when a 300 mVp-p amplitude sine wave is input to pin 1. Output: T2	150	190	230	mVp-p
Comparator hysteresis voltage H	CompH	The V1 voltage when T1 goes from low to high when the voltage on V1 is gradually raised from 0 V. Output: T1	2.7	3.0	3.3	V
Comparator hysteresis voltage L	CompL	The V1 voltage when T1 goes from high to low when the voltage on V1 is gradually lowered from 5 V. Output: T1	2.0	2.3	2.6	V
DET-OUT output voltage (H)	DETH	With a 2 k $\Omega$ load resistance. Output: T1	3.6	4.0	4.4	V
DET-OUT output voltage (L)	DETL	With a 2 k $\Omega$ load resistance. Output: T1	0	0.2	0.4	V

### Switch Conditions

Symbol	Input signal		Input pulse		Applied voltage		Switch				
	S1	S2	S3	S4	V1	V2	SW1	SW2	SW3	SW4	SW5
$I_{CC1}$	No signal	No signal	0 V	0 V			OFF	OFF	OFF	OFF	OFF
$I_{CC2}$	No signal	No signal	5 V	5 V			OFF	OFF	OFF	OFF	OFF
BTH	Sig. 1	No signal	0 V	0 V		DC, variable	ON	OFF	ON	OFF	OFF
STH	No signal	Sig. 1	0 V	0 V		DC, variable	ON	OFF	ON	OFF	OFF
LIMG	Sig. 1	No signal	5 V	0 V			ON	OFF	OFF	OFF	OFF
LIMD	Sig. 1	No signal	5 V	0 V			ON	OFF	OFF	OFF	ON
Comp H	No signal	No signal	No signal	No signal		DC, variable	OFF	ON	OFF	OFF	ON
Comp L	No signal	No signal	No signal	No signal		DC, variable	OFF	ON	OFF	OFF	ON
DET H	Sig. 2	Sig. 1	P2	P1			OFF	OFF	OFF	OFF	ON
DET L	Sig. 3	Sig. 1	P2	P1			OFF	OFF	OFF	OFF	ON

Pin Assignment and Equivalent Circuit Block Diagram



A02306

Pin Functions


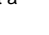
Unit (resistance: Ω, capacitance: F)

Pin No.	Symbol	Equivalent I/O circuit	Function
1	CHROMA-IN	<p>A02296</p>	<p>This is the chroma signal input pin. It can handle burst signals (an unmodulated carrier for SECAM signals) with an amplitude of between about 50 and 800 mV p-p.</p>
2	HPF.MONI	<p>A02297</p>	<p>HPF output monitor This pin should be connected to V<sub>CC</sub> in normal operation to avoid interference between pins 1 and 3.</p>
3	FILTER	<p>A02298</p>	<p>Phase comparator output The output is smoothed with a capacitor. The smoothed output level will be 2.0 V or lower for PAL, and 3.5 V or higher for SECAM or MESECAM.</p>
4	GND		

Continued on next page.

LA7356, 7356M

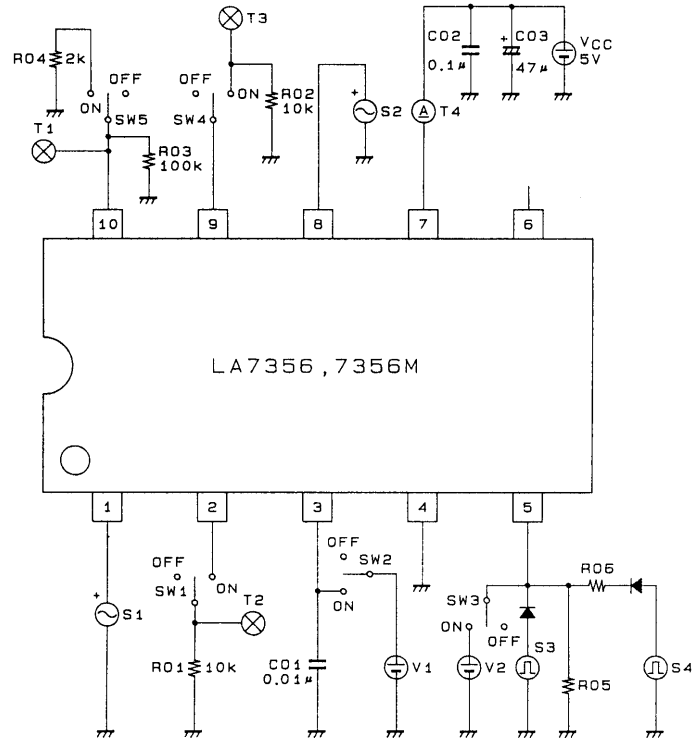
Continued from preceding page.

Pin No.	Symbol	Equivalent I/O circuit	Function
5	SYNC + BGP		<p>Input for the BGP + SYNC signal</p> <p>The input level is 1.0 to 2.0 V during the SYNC period (  ) and 3.0 to 4.5 V during the BGP period. Note that when used in conjunction with Sanyo LA7430 and LA7435 single-chip Y/C products, the external circuit connected to pin 5 is unnecessary since those single-chip circuits output a combined BGP and C.SYNC pulse (  ).</p>
6	DET-ADJ		<p>Discrimination sensitivity adjustment</p> <p>Increasing the voltage applied to this pin shifts the discrimination toward PAL, and lowering that voltage shifts it towards SECAM.</p> <p>This pin is normally left open.</p>
7	V <sub>CC</sub>		
8	FSC-IN		<p>This is the PAL fsc (4.43 MHz) input pin. It can handle amplitudes between about 300 and 800 mVp-p.</p>
9	APF. MONI		<p>APF output monitor</p> <p>This pin should be connected to V<sub>CC</sub> in normal operation to avoid interference between pins 8 and 10.</p>
10	DET-OUT		<p>Discriminator output</p> <p>This pin outputs a high level (4.2 V) during SECAM or MESECAM, and a low level (about 0 V) during PAL.</p>

Unit (resistance: Ω, capacitance: F)

# LA7356, 7356M

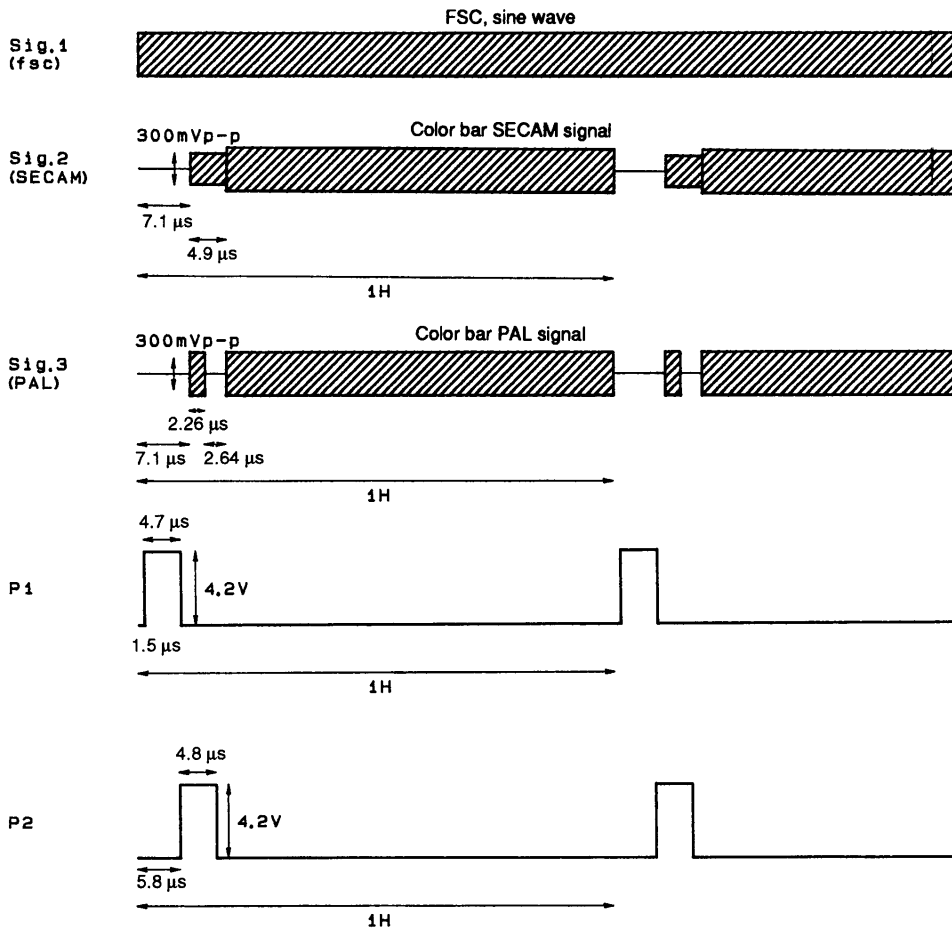
## Test Circuit Diagram



A02304

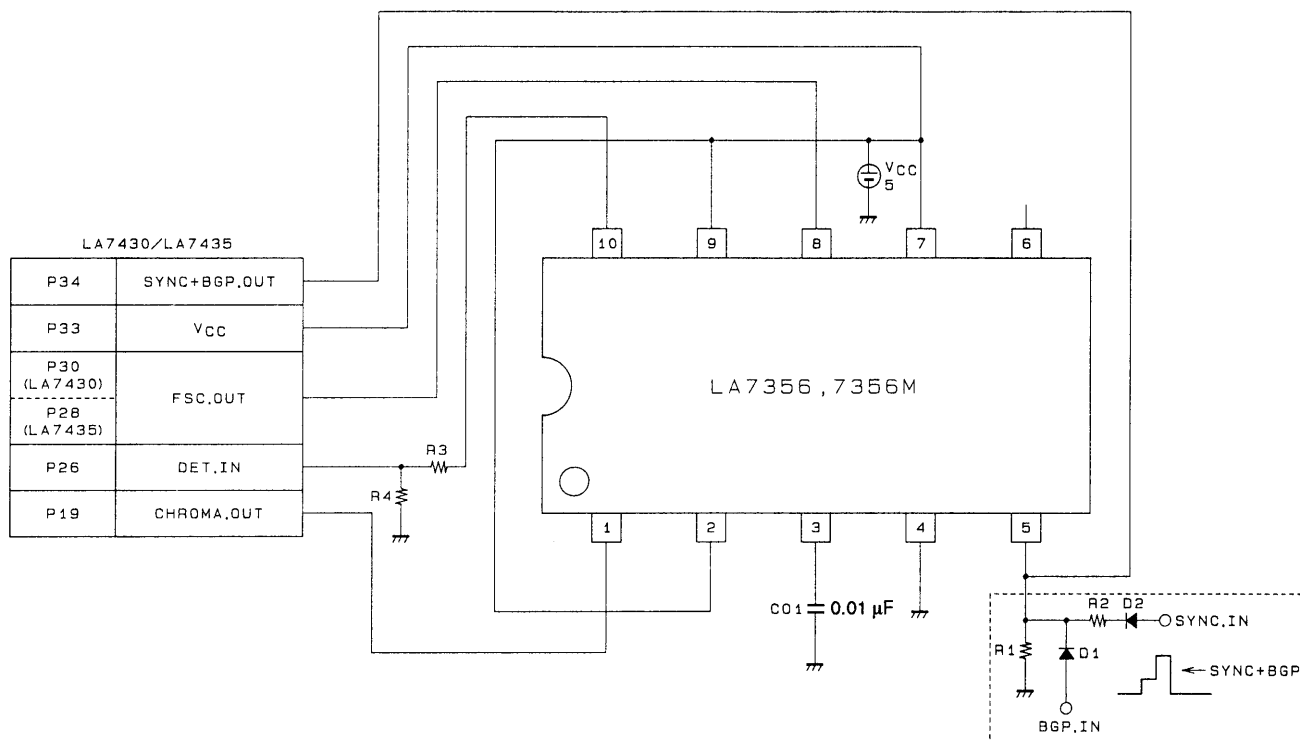
Unit (resistance:  $\Omega$ , capacitance: F)

## Input Signals and Pulses for Testing



A02305

## Application Circuit Diagram



A02307

## Application

Input the chroma signal to pin 1 and the PAL  $f_{SC}$  to pin 8. Also, input a signal that is the combination of the BGP and C.SYNC signals to pin 5. The output will be a high level during SECAM or MESECAM and a low level during PAL.

The output can be forcibly set to SECAM by connecting pin 3 to  $V_{CC}$  or forcibly set to PAL by connecting pin 3 to GND. This can be used to prevent incorrect operation during weak signal reception.

Note that when used in conjunction with Sanyo LA7430 (multi) and LA7435 (PAL/MESECAM) products, the external circuit connected to pin 5 is unnecessary since those products output a combined BGP and C.SYNC pulse.

- No products described or contained herein are intended for use in surgical implants, life-support systems, aerospace equipment, nuclear power control systems, vehicles, disaster/crime-prevention equipment and the like, the failure of which may directly or indirectly cause injury, death or property loss.
- Anyone purchasing any products described or contained herein for an above-mentioned use shall:
  - ① Accept full responsibility and indemnify and defend SANYO ELECTRIC CO., LTD., its affiliates, subsidiaries and distributors and all their officers and employees, jointly and severally, against any and all claims and litigation and all damages, cost and expenses associated with such use:
  - ② Not impose any responsibility for any fault or negligence which may be cited in any such claim or litigation on SANYO ELECTRIC CO., LTD., its affiliates, subsidiaries and distributors or any of their officers and employees jointly or severally.
- Information (including circuit diagrams and circuit parameters) herein is for example only; it is not guaranteed for volume production. SANYO believes information herein is accurate and reliable, but no guarantees are made or implied regarding its use or any infringements of intellectual property rights or other rights of third parties.

This catalog provides information as of December, 1996. Specifications and information herein are subject to change without notice.