



No. ※ 5571

LA7172M

**UHF Band RF Modulator**

**Preliminary**

**Overview**

The LA7172M is a monolithic IC for an RF modulator which generates RF TV channel signal in UHF band, from a baseband video and audio signal.

Audio FM carrier is controlled by PLL system and generated without L/C tank.

**Features**

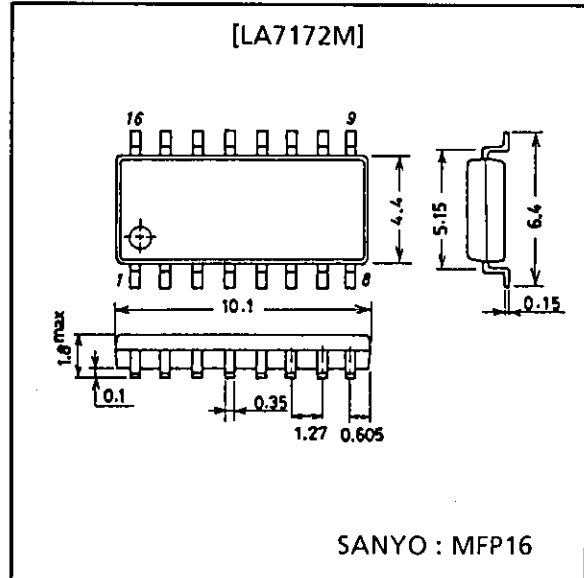
- 5 V operation
- Less supply current
- Balanced RF VCO
- Wide bandwidth
- PLL controlled and tankless audio FM ( 4 sound intercarrier frequency capability )
- Small package
- Package : MFP16 ( SOP16 )

**Functions**

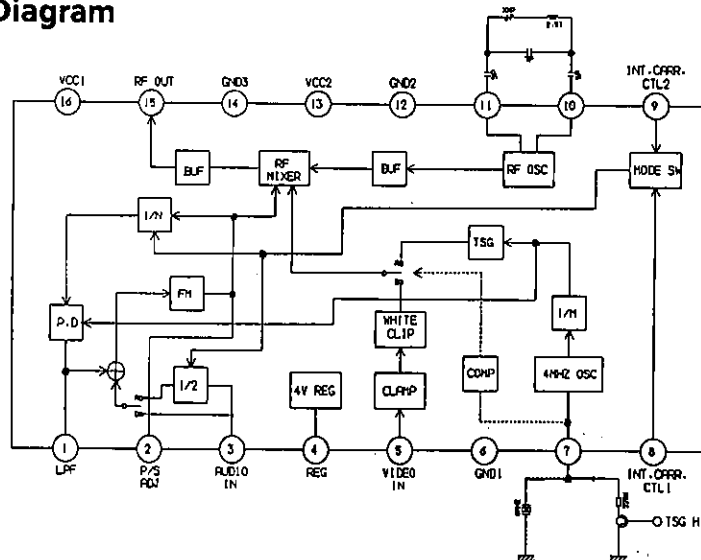
- RF VCO
- Video modulator
- Sound carrier converter
- RF buffer
- Video clamp
- White clip
- Audio FM
- 4 V regulator
- Reference oscillator
- TSG ( test signal generator )

**Package Dimensions**

unit : mm  
3035A-SOP16



**Equivalent Circuit Block Diagram**



# LA7172M

## Specifications

### Maximum Ratings at $T_a = 25^\circ\text{C}$ Unit

Maximum supply voltage	$V_{CCmax}$		7	V
Allowable power dissipation	$P_{dmax}$	$T_a \leq 75^\circ\text{C}$	250	mW
Operating temperature	$T_{opr}$		-20 to +75	$^\circ\text{C}$
Storage temperature	$T_{stg}$		-55 to +150	$^\circ\text{C}$

### Operating Conditions at $T_a = 25^\circ\text{C}$

Recommended supply voltage	$V_{CC}$		5	V
Operating voltage range	$V_{CCop}$		4.5 to 5.5	V

### Operating Characteristics at $T_a = 25^\circ\text{C}$ , $V_{CC} = 5\text{V}$

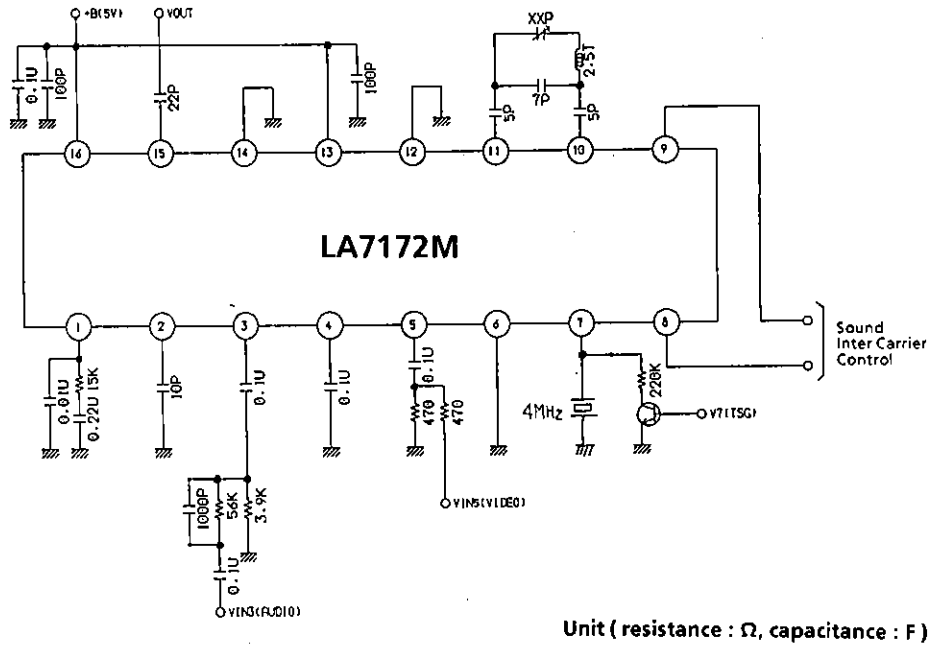
			min	typ	max	Unit
Supply current	$I_{CC}$	No signal	24	30	36	mA
Regulator voltage	$V_{reg}$	No signal	3.7	3.9	4.1	V
RF output	P	No signal	77	79.5	82	dB $\mu$
P/S ratio	P/S	S : fp + 4.5 MHz	12.5	15	17.5	dB
Sound 2nd harmonics	P/S2	S2 : fp + 2 $\times$ fs MHz	*	*	-	dB
Sound 3rd harmonics	P/S3	S3 : fp + 3 $\times$ fs MHz	*	*	-	dB
Chrominance beat	P/CB	$V_{IN5} = f_{sc}$ , 0.4 Vp-p CB : fp + fs - fsc	65	75	-	dB
Video harmonics	P/V2	$V_{IN5} = 1\text{ MHz}$ , 1 Vp-p V2 : fp + 2 MHz	50	62	-	dB
Video modulation	$M_p$	$V_{IN5} = \text{Stair step}$ , 1 Vp-p	73	80	87	%
White clip level	WCL	$V_{IN5} = \text{Stair step}$ , 1.5 Vp-p	88	93	98	%
Differential gain	DG	$V_{IN5} = \text{Stair step}$ , 1 Vp-p	-5	-	5	%
Differential phase	DP	$V_{IN5} = \text{Stair step}$ , 1 Vp-p	-6	-	6	Deg
TSG modulation	$M_p$ TSG	V7 : high	70	80	90	%
TSG VS ratio	V/S	V7 : high, video/sync.	6.3/ 3.7	6.8/ 3.2	7.3/ 2.7	
TSG period	TS	V7 : high	63.7	64.0	64.3	$\mu\text{s}$
TSG sync. width	HS	V7 : high	3.6	4.0	4.4	$\mu\text{s}$
TSG white width	HV	V7 : high	3.6	4.0	4.4	$\mu\text{s}$
TSG 1st white rise	TV1	V7 : high, Width between sync. and 1st white rise	22	24	26	$\mu\text{s}$
TSG 2nd white rise	TV2	V7 : high, Width between sync. and 2nd white rise	38	40	42	$\mu\text{s}$
Audio FM modulation	$M_{sFM}$	$V_{IN3} = 1\text{ kHz}$ , 1.66 Vp-p $\pm 50\text{ kHz DEV} : 100\%$	90	100	110	%
Max audio modulation	$M_{smx}$	THD < 3%	400	-	-	%
Audio FM THD	THDFM	$V_{IN3} = 1\text{ kHz}$ , 1Vp-p	-	0.5	2	%
Audio FM S/N	S/NFM	$V_{IN3} = 1\text{ kHz}$ , 1Vp-p $V_{IN5} = \text{Color bar}$ , 1Vp-p	43	55	-	dB

\* :TBD

#### Note

fp : picture RF carrier, fs : sound intercarrier ( B/G 5.5 MHz ), fsc : sub carrier ( 4.43 MHz )

Sample Application Circuit



- No products described or contained herein are intended for use in surgical implants, life-support systems, aerospace equipment, nuclear power control systems, vehicles, disaster/crime-prevention equipment and the like, the failure of which may directly or indirectly cause injury, death or property loss.
- Anyone purchasing any products described or contained herein for an above-mentioned use shall:
  - ① Accept full responsibility and indemnify and defend SANYO ELECTRIC CO., LTD., its affiliates, subsidiaries and distributors and all their officers and employees, jointly and severally, against any and all claims and litigation and all damages, cost and expenses associated with such use:
  - ② Not impose any responsibility for any fault or negligence which may be cited in any such claim or litigation on SANYO ELECTRIC CO., LTD., its affiliates, subsidiaries and distributors or any of their officers and employees jointly or severally.
- Information (including circuit diagrams and circuit parameters) herein is for example only; it is not guaranteed for volume production. SANYO believes information herein is accurate and reliable, but no guarantees are made or implied regarding its use or any infringements of intellectual property rights or other rights of third parties.