

**SANYO**

No.2857A

**LA7058R****Video, Audio Signal Processor  
for UHF Band RF Modulator Use****Overview**

The LA7058R, being a video/audio signal processor IC for UHF band RF modulator use, is suited for RF modulators that require no TSG (test signal generator). The LA7058R contains a video clamp circuit, a white clip circuit, and an audio FM modulator. The characteristics of the LA7058R are highly stable to supply voltage variations because of the on-chip voltage regulator.

**Functions**

- Audio FM modulator
- Sync pulse peak clamp
- White clip
- Voltage regulator

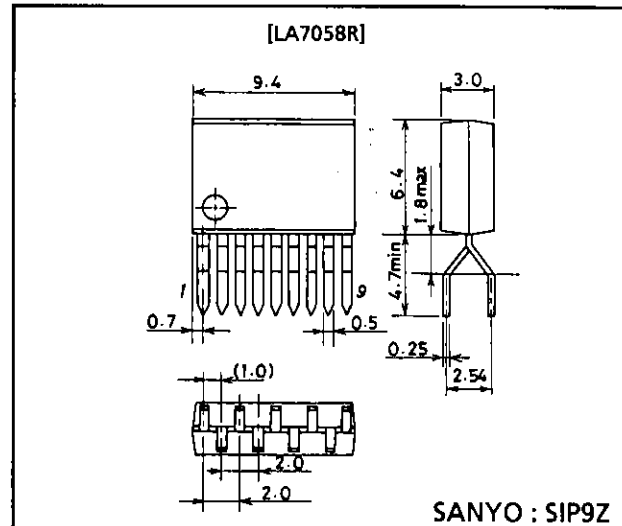
**Features**

- Capable of being operated from low supply voltage ( $V_{CC}=5V$ )
- Highly stable to supply voltage variations because of on-chip voltage regulator.
- Excellent frequency characteristic of white clip.
- Large amplitude of audio carrier and less high-frequency spurious radiation.
- Low audio distortion.
- Low current drain : -30% (compared with our similar ICs).
- Minimum number of external parts required.
- Small-sized package : 9Z-pin SIP

**Package Dimensions**

unit : mm

3119-SIP9Z

**Specifications**Maximum Ratings at  $T_a = 25^\circ C$ 

Parameter	Symbol	Conditions	Ratings	Unit
Maximum supply voltage	$V_{CC \max}$		9.0	V
Allowable power dissipation	$P_{d \max}$	$T_a \leq 60^\circ C$	250	mW
Operating temperature	$T_{opr}$	$V_{CC} = 5V$	-20 to +80	$^\circ C$
Storage temperature	$T_{stg}$		-40 to +125	$^\circ C$

Operating Conditions at  $T_a = 25^\circ C$ 

Parameter	Symbol	Conditions	Ratings	Unit
Recommended supply voltage	$V_{CC}$		5.0	V
Operating voltage range	$V_{CC \text{op}}$		4.25 to 7.00	V

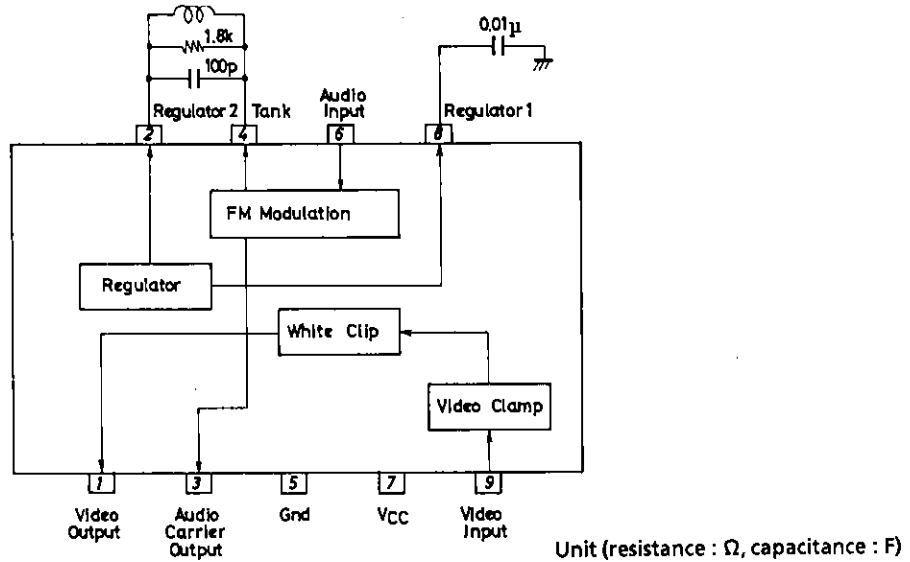
**SANYO Electric Co., Ltd. Semiconductor Business Headquarters**  
TOKYO OFFICE Tokyo Bldg., 1-10, 1 Chome, Ueno, Taito-ku, TOKYO, 110 JAPAN

# LA7058R

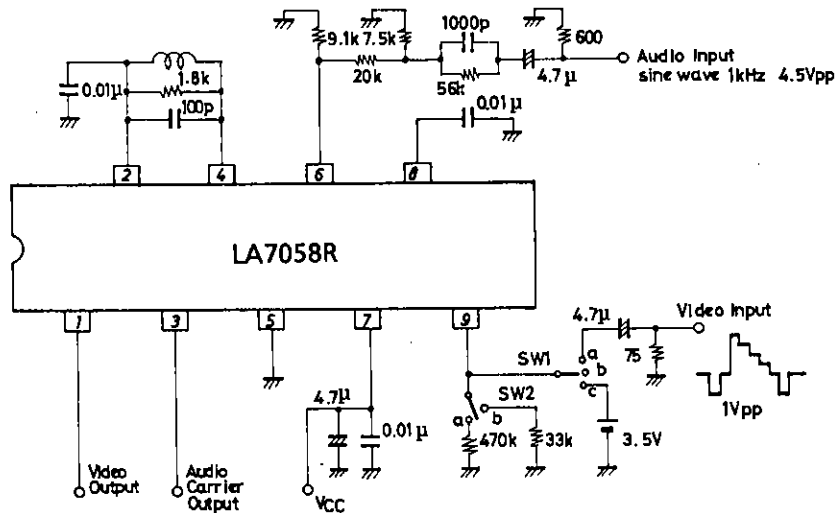
Operating Characteristics at  $T_a = 25^\circ\text{C}$ ,  $V_{CC} = 5\text{V}$

Parameter	Symbol	SW1	SW2	SW3	Conditions	min	typ	max	Unit
Current drain	$I_{CC}$	a	a	a		7	10	13	mA
Video clamp voltage	$V_{CL}$	a	b	a		1.35	1.60	1.85	V
White clip level	$V_{WC}$	c	-	a	$V_{WC} = V_1 - V_{CL}$ $V_1$ : Output voltage	1.10	1.14	1.18	Vp-p
Audio carrier amplitude	$V_{AO}$	-	-	-		1.05	1.30	1.55	Vp-p
Audio modulation degree A	ms	-	-	-	Input signal : 1kHz, 4.5Vp-p, $\pm 50\text{kHz}$ : 100%	73	81	89	%
Audio modulation degree B	ms	-	-	-		81	90	99	%
Audio modulation degree C	ms	-	-	-		90	100	110	%
Audio modulation degree D	ms	-	-	-		99	110	121	%
Audio modulation degree E	ms	-	-	-		109	121	133	%
Audio distortion	THD	-	-	-	Same as above	-	0.2	1.5	%

## Equivalent Circuit Block Diagram



## Test Circuit



- No products described or contained herein are intended for use in surgical implants, life-support systems, aerospace equipment, nuclear power control systems, vehicles, disaster/crime-prevention equipment and the like, the failure of which may directly or indirectly cause injury, death or property loss.
- Anyone purchasing any products described or contained herein for an above-mentioned use shall:
  - ① Accept full responsibility and indemnify and defend SANYO ELECTRIC CO., LTD., its affiliates, subsidiaries and distributors and all their officers and employees, jointly and severally, against any and all claims and litigation and all damages, cost and expenses associated with such use:
  - ② Not impose any responsibility for any fault or negligence which may be cited in any such claim or litigation on SANYO ELECTRIC CO., LTD., its affiliates, subsidiaries and distributors or any of their officers and employees jointly or severally.
- Information (including circuit diagrams and circuit parameters) herein is for example only; it is not guaranteed for volume production. SANYO believes information herein is accurate and reliable, but no guarantees are made or implied regarding its use or any infringements of intellectual property rights or other rights of third parties.

This catalog provides information as of **December, 1995**. Specifications and information herein are subject to change without notice.