

SANYO

No.3244

LA5691D, 5691S**Voltage Regulator Driver with Watchdog Timer
(with Output ON/OFF Function)**

The LA5691 is a single-chip voltage regulator for microcomputer system monitor use that performs the functions of 5V output voltage control, watchdog timer, and voltage detector. Since the LA5691 is capable of exercising output ON/OFF controls it is especially suited for use in battery-powered equipment.

Applications

- Microcomputer system for car equipment, refrigeration/heating equipment, office automation equipment.

Functions

- Output voltage 5V control
- Watchdog timer
- Reset generation at power-ON mode
- The enable pin can be used to exercise output ON/OFF control. (Active-low)

Features

- An external PNP transistor can be used to provide a low-saturation voltage regulator.
- Capable of reducing of power dissipation at standby mode ($I_{Q\ OFF} = 300\text{mA typ}$)
- CK input with edge detector
- Variable detection voltage

Maximum Ratings at $T_a = 25^\circ\text{C}$

			unit
Control Pin Voltage	$V_{\text{CONT max}}$	1sec	60 V
Control Pin Voltage	$V_{\text{CONT max}}$		41 V
Control Pin Current	$I_{\text{CONT max}}$	$*V_{\text{CC}} \geq 6\text{V}$	11 mA
Enable Pin Voltage	$V_{\text{EN max}}$		41 V
CK Input Voltage	$V_{\text{CK max}}$		25 V
Reset Pin Voltage	$V_{\text{RES max}}$		41 V
Allowable Power Dissipation	$P_d \text{ max}$		500 mW
Operating Temperature	T_{opr}		-40 to +85 °C
Storage Temperature	T_{stg}		-55 to +150 °C

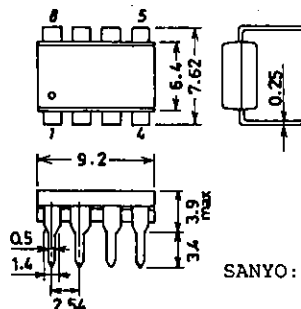
*: A PNP transistor is connected to the LA5691D, 5691S externally to provide a low-saturation voltage regulator. Therefore, $I_{\text{CONT}} = 100\text{mA}$ will flow, as starting current, in the V_{CC} range where the output cannot be regulated.

Operating Conditions at $T_a = 25^\circ\text{C}$

			unit
Control Pin Voltage	V_{CONT}		6 to 40 V
Control Pin Current	$I_{\text{CONT max}}$		10 mA
Reset Output Current	$I_{\text{RES max}}$	External R pull-up (with pull-up R 10k Ω)	8 mA
Reset Detection Voltage	$V_{\text{S min}}$		4 V

**Package Dimensions
(unit: mm)**

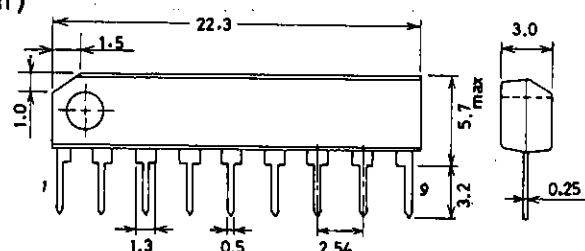
3001B



SANYO: DIP8

**Package Dimensions
(unit: mm)**

3017B



SANYO: SEP9

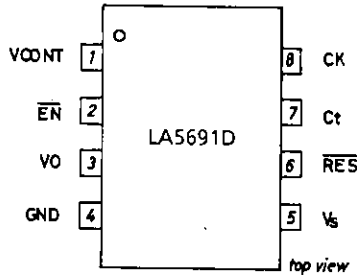
SANYO Electric Co., Ltd. Semiconductor Business Headquarters
TOKYO OFFICE Tokyo Bldg., 1-10, 1 Chome, Ueno, Taito-ku, TOKYO, 110 JAPAN

LA5691D,5691S

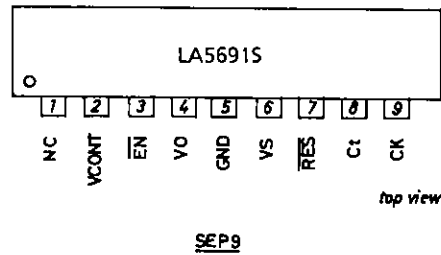
Operating Characteristics at $T_a = 25^\circ\text{C}$, $V_{CC} = 14\text{V}$, $I_O = 50\text{mA}$, unless otherwise specified.

		See specified Test Circuit.		min	typ	max	unit
Output Voltage	V_O			4.8	5.0	5.2	V
Line Regulation	ΔV_{OLN1}	$9\text{V} \leq V_{CC} \leq 16\text{V}$			2	10	mV
	ΔV_{OLN2}	$6\text{V} \leq V_{CC} \leq 40\text{V}$			4	30	mV
Load Regulation	ΔV_{OLD}	$1\text{mA} \leq I_O \leq 50\text{mA}$			4	30	mV
Current Dissipation	I_{CC}	$I_O = 0$			4.1	6.5	mA
Output Noise Voltage	V_{NO}	$10\text{Hz} \leq f \leq 100\text{kHz}$, $V_{CK} = 0$			200		μV
Temperature Coefficient of Output Voltage	$\Delta V_O / \Delta T_a$	$I_O = 5\text{mA}$, $-40^\circ\text{C} \leq T_a \leq +85^\circ\text{C}$		± 0.2			$\text{mV}/^\circ\text{C}$
Reference Voltage	V_{REF}			1.13	1.18	1.23	V
"H"-Level CK Input Voltage	V_{IH}			2			V
"L"-Level CK Input Voltage	V_{IL}					0.8	V
"H"-Level CK Input Current	I_{IH}	$V_{CK} = 5\text{V}$			0.3	0.7	mA
"L"-Level CK Input Current	I_{IL}	$V_{CK} = 0$		-1.0	-0.1		μA
"H"-Level Reset Output Voltage	V_{ORH}			4.8	5.0	5.2	V
"L"-Level Reset Output Voltage 1	V_{ORL1}				40	200	mV
"L"-Level Reset Output Voltage 2	V_{ORL2}	$I_{RES} = 8\text{mA}$			0.16	0.8	V
CK Input Pulse Width	t_{CKW}	$V_{CK} = 5\text{V}$		3			μs
Reset Output Delay Time	t_d	$C_t = 1\mu\text{F}$		7.5	10	12.5	ms
Watchdog Time	t_{WD}	$C_t = 1\mu\text{F}$		3.8	5.0	6.2	ms
Watchdog Reset Time	t_{WR}	$C_t = 1\mu\text{F}$		0.1	0.25	0.4	ms
Reset Hysteresis Voltage	V_{hys}	$V_S = 4.5\text{V}$		100	200	300	mV
"L"-Level Output Voltage	$V_{O\text{OFF}}$	$V_{EN} = 5\text{V}$			150	300	mV
Quiescent Current	$I_{Q\text{OFF}}$	$V_{EN} = 5\text{V}$			300	600	μA
Output OFF Control Voltage	V_{ENH}	Output OFF		2			V
Output ON Control Voltage	V_{ENL}	Output ON				0.8	V

Pin Assignment



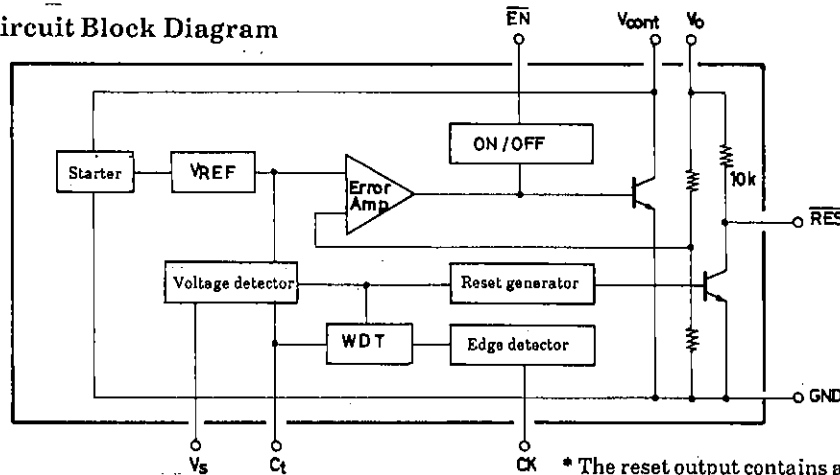
DIP 8



top view

* The NC pin, which is left open, must not be used for wiring.

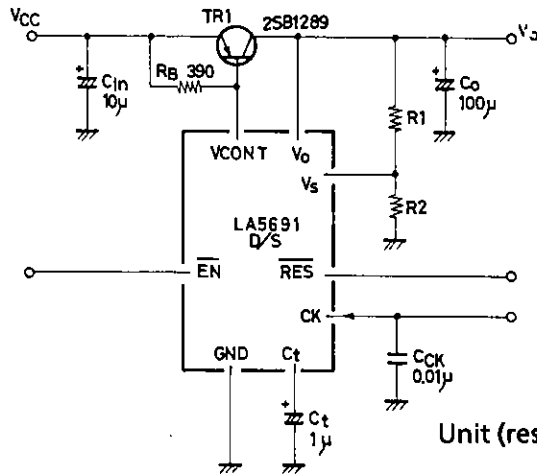
Equivalent Circuit Block Diagram



* The reset output contains a pull-up resistor of 10k Ω .

Unit (resistance: Ω)

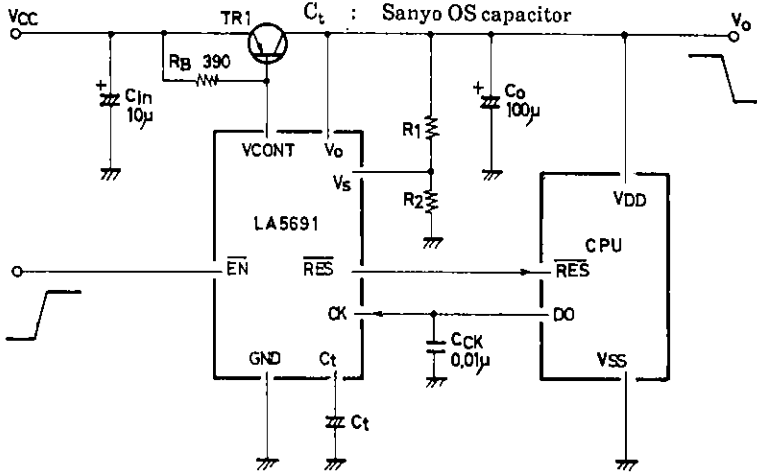
Test Circuit



Unit (resistance: Ω, capacitance: F)

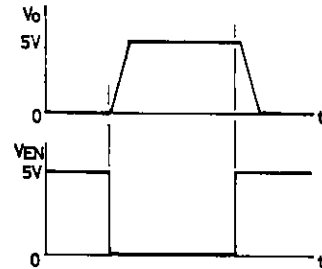
Sample Application Circuit

Q1 : 2SA1289 (60V/5A, TO-220)
Ct : Sanyo OS capacitor



Function Table

VEN	Vo
L	H
H	L



$$V_s = V_{REF} \left(\frac{R_1}{R_2} + 1 \right)$$

$$V_{REF} \approx 1.18 \text{ (V)}$$

$$t_d = 10 \cdot C_t \text{ (}\mu\text{F) (ms)}$$

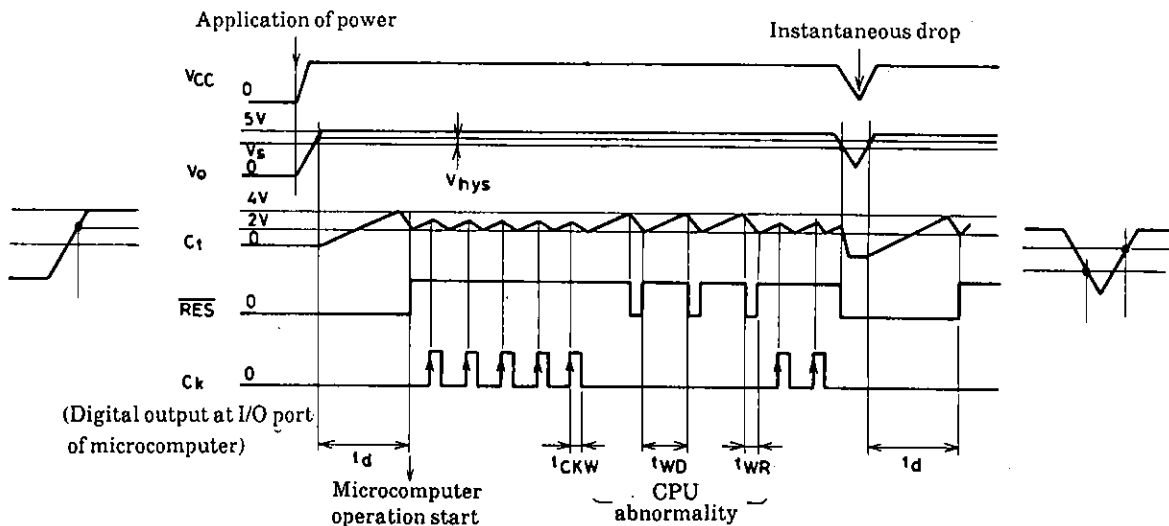
$$t_{WD} = 5 \cdot C_t \text{ (}\mu\text{F) (ms)}$$

$$t_{WR} = 0.25 \cdot C_t \text{ (}\mu\text{F) (ms)}$$

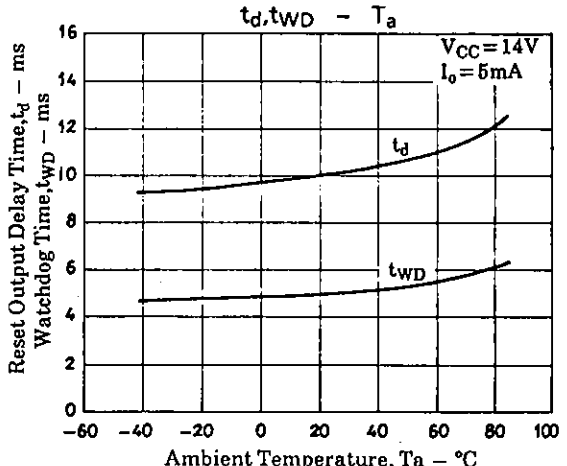
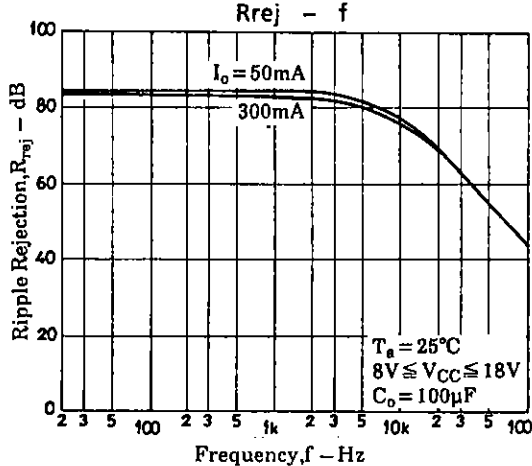
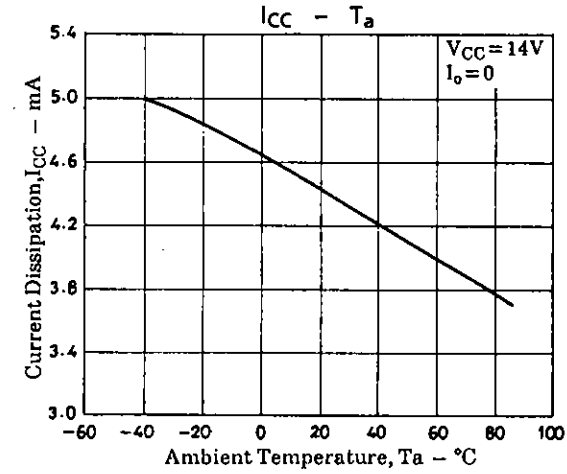
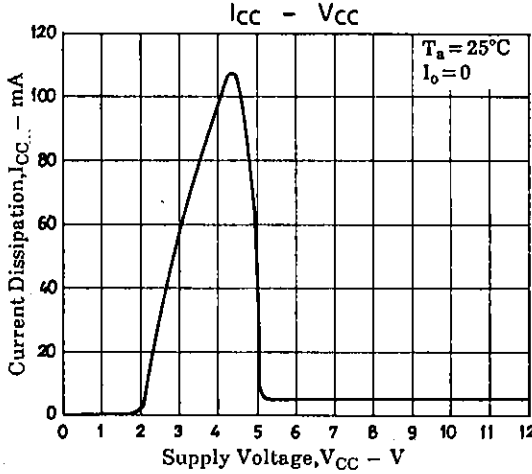
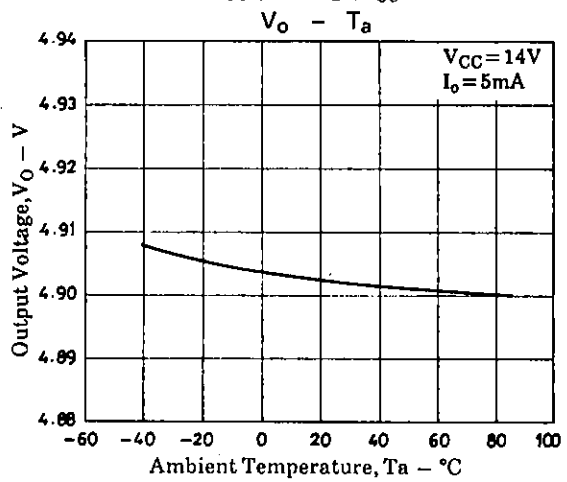
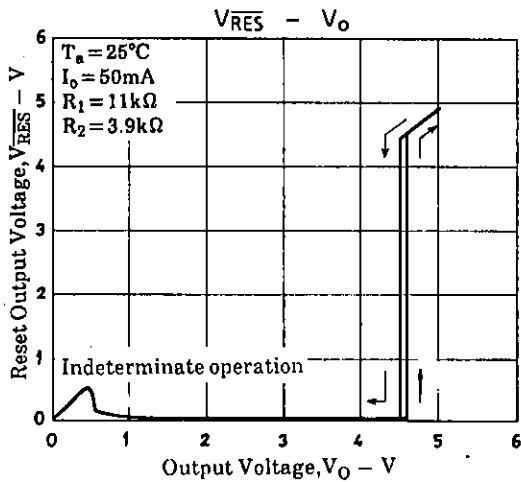
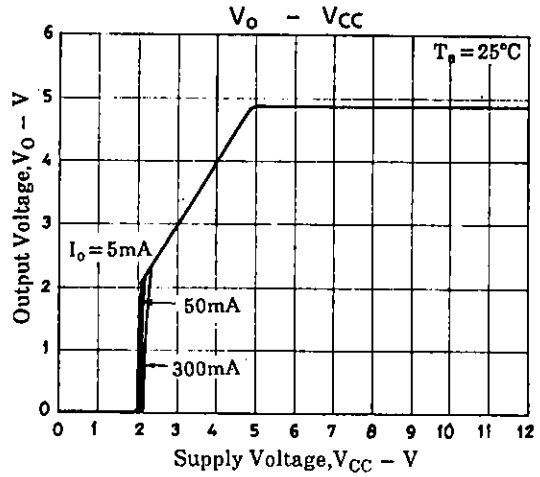
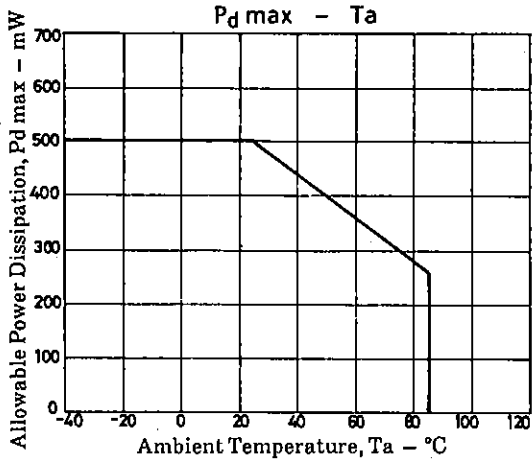
Unit (resistance: Ω, capacitance: F)

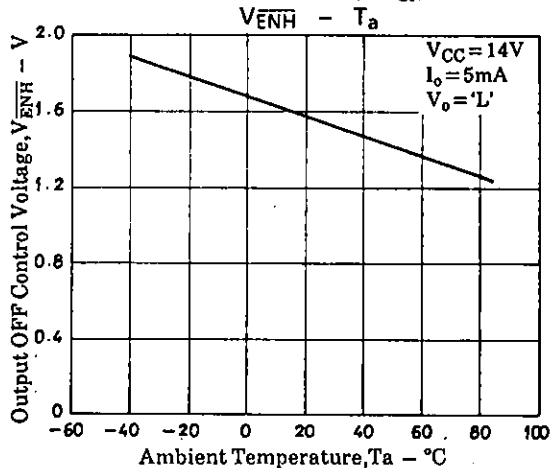
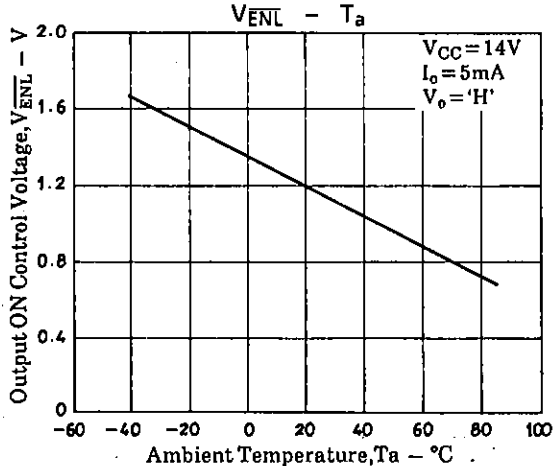
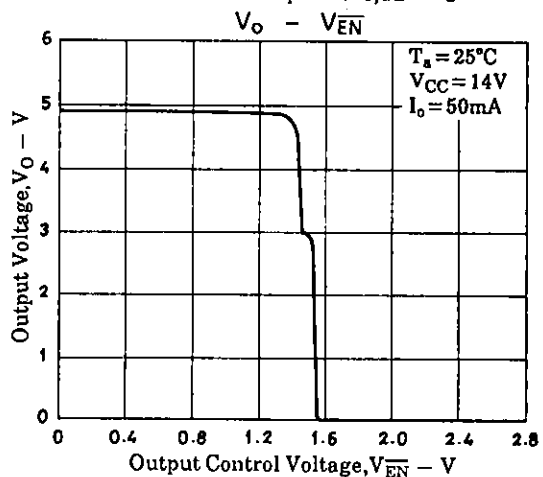
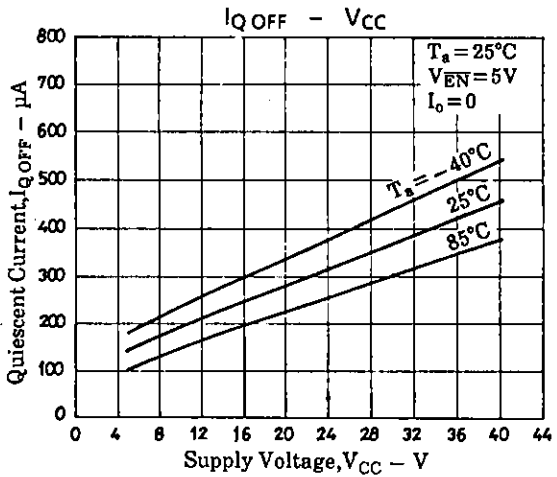
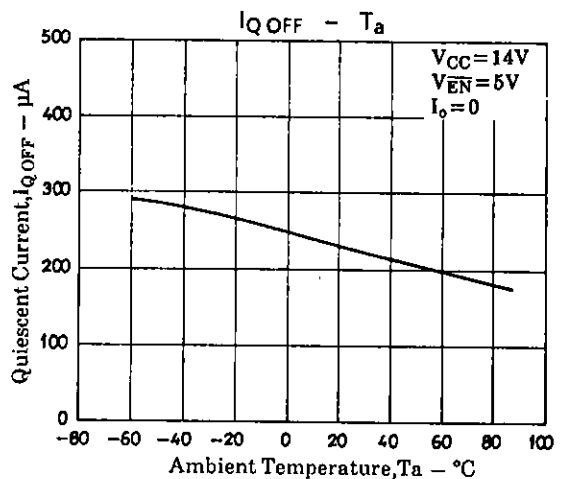
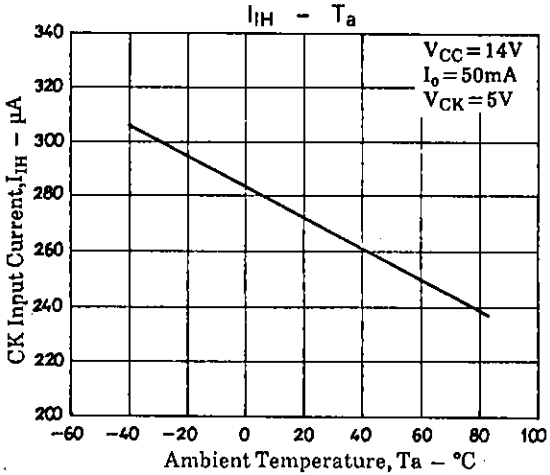
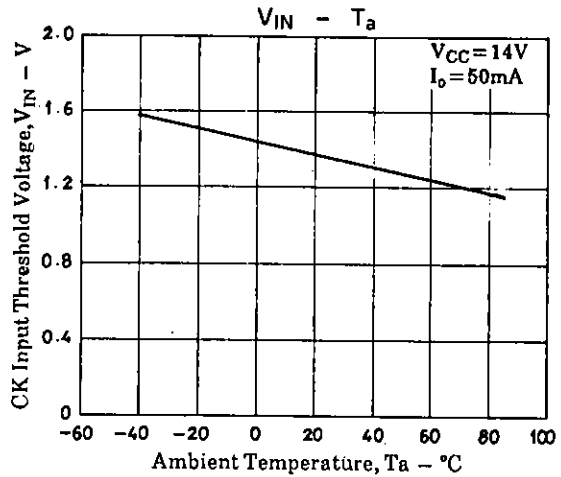
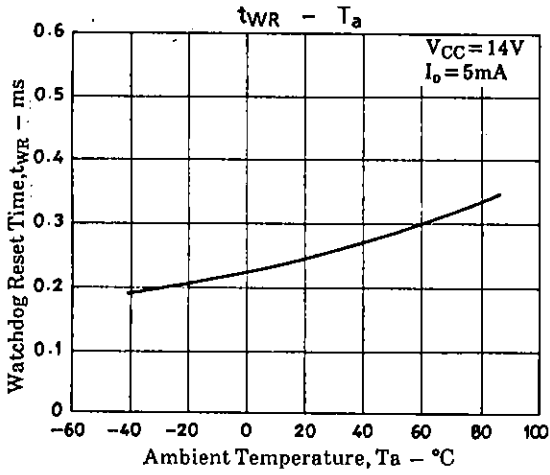
- Ct, Co : Capacitors whose value does not vary with temperature very much.
- CCK : Must be used to eliminate noise in the reset output.

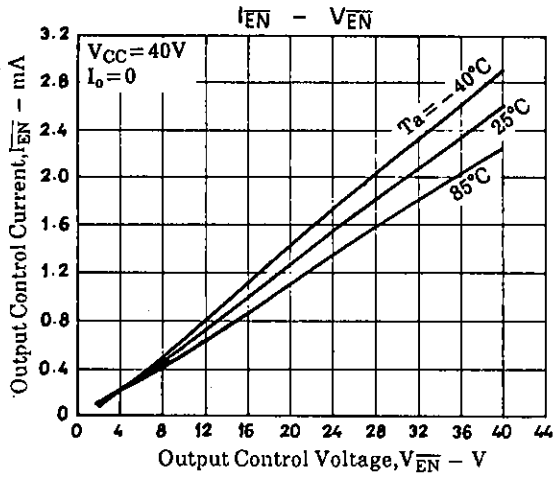
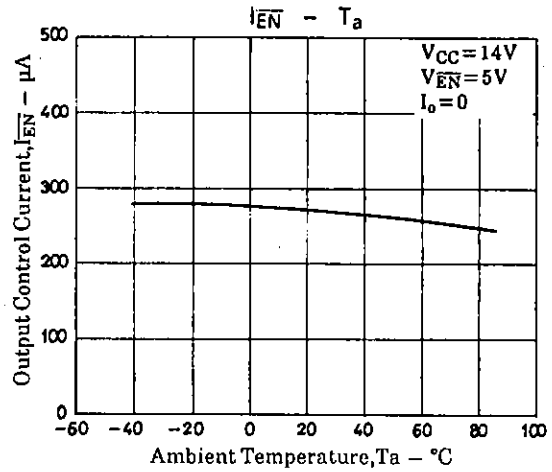
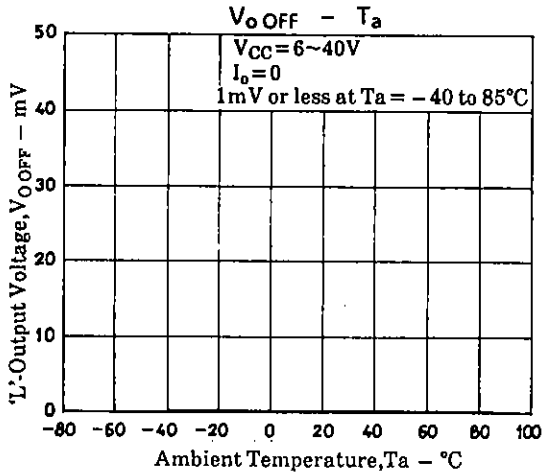
Timing Chart



Note : Edge-triggered at the point indicated by the arrow of Ck signal.







- No products described or contained herein are intended for use in surgical implants, life-support systems, aerospace equipment, nuclear power control systems, vehicles, disaster/crime-prevention equipment and the like, the failure of which may directly or indirectly cause injury, death or property loss.
- Anyone purchasing any products described or contained herein for an above-mentioned use shall:
 - ① Accept full responsibility and indemnify and defend SANYO ELECTRIC CO., LTD., its affiliates, subsidiaries and distributors and all their officers and employees, jointly and severally, against any and all claims and litigation and all damages, cost and expenses associated with such use;
 - ② Not impose any responsibility for any fault or negligence which may be cited in any such claim or litigation on SANYO ELECTRIC CO., LTD., its affiliates, subsidiaries and distributors or any of their officers and employees jointly or severally.
- Information (including circuit diagrams and circuit parameters) herein is for example only; it is not guaranteed for volume production. SANYO believes information herein is accurate and reliable, but no guarantees are made or implied regarding its use or any infringements of intellectual property rights or other rights of third parties.