



LA5609

Multi-Function Voltage Regulator for Radio Cassette Recorders with CD Player

Overview

The LA5609 is a multi-function multi-voltage power supply that includes a built-in on/off function. The LA5609 provides dedicated outputs for motors, audio systems, CD drive, radio, microprocessor, and loading drives, thus making it optimal for use as the system power supply in radio cassette recorders with CD player.

Functions

- Power supply systems for radio cassette recorders with CD player
- Miniature electronic equipment
- Low-saturation regulator (14.5 V/1.2 A, 9 V/300 mA, 7.5 V/800 mA)
- High-precision power supply (two 5 V/220 mA systems, 5 V/100 mA, 8 V/800 mA)
- Limiter power supply (9 V/60 mA)

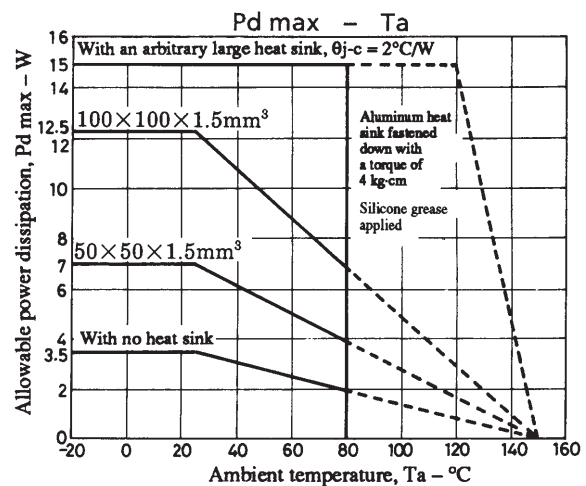
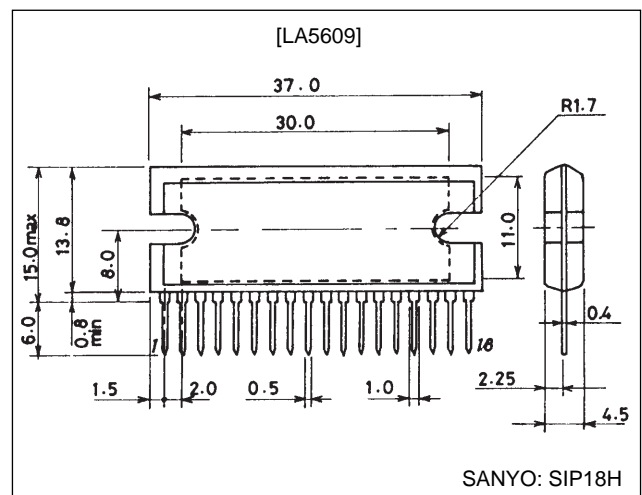
Features

- Supports end-product miniaturization by the provision of built-in control circuits.
- Provides reduced internal power dissipation by the adoption of a low-saturation regulator.
- Built-in output current limiter prevents IC destruction due to output shorts.

Package Dimensions

unit: mm

3109-SIP18H



■ Any and all SANYO products described or contained herein do not have specifications that can handle applications that require extremely high levels of reliability, such as life-support systems, aircraft's control systems, or other applications whose failure can be reasonably expected to result in serious physical and/or material damage. Consult with your SANYO representative nearest you before using any SANYO products described or contained herein in such applications.

■ SANYO assumes no responsibility for equipment failures that result from using products at values that exceed, even momentarily, rated values (such as maximum ratings, operating condition ranges, or other parameters) listed in products specifications of any and all SANYO products described or contained herein.

Specifications

Maximum Ratings at $T_a = 25^\circ\text{C}$

Parameter	Symbol	Conditions	Ratings	Unit
Input voltage	V_{CC} max		24	V
V_{REF} pin voltage	V_{REF}		6	V
POWER CONT pin voltage	V_{CONT} max		6	V
AC STBY pin voltage	V_{AC} max		6	V
MODE SW pin voltage	V_{MODE} max		6	V
Allowable power dissipation	P_d max	With no heat sink	3.5	W
Operating temperature	T_{opr}		-20 to +80	$^\circ\text{C}$
Storage temperature	T_{stg}		-55 to +150	$^\circ\text{C}$

Operating Conditions at $T_a = 25^\circ\text{C}$

Parameter	Symbol	Conditions	Ratings	Unit
Input voltage	V_{CC}		6.5 to 22	V
Input voltage	V_{REF}		4.5 to 5.5	V
Motor 14.5 V output current	$I_{O\ MOT}$		0 to 1.2	A
Audio 9 V output current	$I_{O\ AUD}$		0 to 300	mA
Digital 5 V output current	$I_{O\ DIGI}$		0 to 220	mA
CD 5 V output current	$I_{O\ CD5}$		0 to 220	mA
CD 8 V output current	$I_{O\ CD8}$		0 to 0.8	A
Radio 5 V output current	$I_{O\ RAD}$		0 to 100	mA
Loading 7.5 V output current	$I_{O\ LOAD}$		0 to 0.8	A
9 V limiter output current	$I_{O\ LIM}$		0 to 60	mA

Operating Characteristics at $T_a = 25^\circ\text{C}$ in the specified test circuit

Parameter	Symbol	Conditions	min	typ	max	Unit
[No Load Currents]						
V_{CC} quiescent current	I_{CC}	$V_{CC} = 12\text{ V}$, Power cont.: L, 5 V_{REF} : L			500	μA
Influx 1 V_{REF} 5 V input current	I_{REF1}	$V_{CC} = 0\text{ V}$, Power cont.: L			10	μA
Influx 2 V_{REF} 5 V input current	I_{REF2}	$V_{CC} = 12\text{ V}$, Power cont. = 5 V			700	μA
[Motor 14.5 V Regulator Block] $V_{CC} = 16\text{ V}$, $I_{O\ MOT} = 1.2\text{ A}$, Power cont. = 5 V						
Output voltage	$V_{O\ MOT}$		14.0	14.5	15.0	V
Dropout voltage	$V_{DRO\ P-MOT}$	$V_{CC} = 14\text{ V}$, $I_{O\ MOT} = 600\text{ mA}$		0.4	0.8	V
Line regulation	$\Delta V_{OLN-MOT}$	$V_{CC} = 16\text{ to }22\text{ V}$		30	300	mV
Load regulation	$\Delta V_{OLD-MOT}$	$I_{O\ MOT} = 0\text{ to }1.2\text{ A}$		200	800	mV
Peak output current	I_{OP-MOT}		1.2			A
Short circuit output current	$I_{OSC-MOT}$			300		mA
[Audio 9 V Regulator Block] $V_{CC} = 11\text{ V}$, $I_{O\ AUD} = 300\text{ mA}$, Power cont. = 5 V						
Output voltage	$V_{O\ AUD}$		8.5	9.0	9.5	V
Dropout voltage	$V_{DRO\ P-AUD}$	$V_{CC} = 8.5\text{ V}$, $I_{O\ AUD} = 150\text{ mA}$		0.2	0.8	V
Line regulation	$\Delta V_{OLN-AUD}$	$V_{CC} = 11\text{ to }22\text{ V}$		100	400	mV
Load regulation	$\Delta V_{OLD-AUD}$	$I_{O\ AUD} = 0\text{ to }300\text{ mA}$		100	400	mV
Peak output current	I_{OP-AUD}		300			mA
Short circuit output current	$I_{OSC-AUD}$			50		mA
Ripple rejection	$R_{REJ-AUD}$	$f = 120\text{ Hz}$, $10\text{ V} \leq V_{CC} \leq 15\text{ V}$, $C = 1\ \mu\text{F}$		60		dB

Continued on next page.

LA5609

Continued from preceding page.

Parameter	Symbol	Conditions	min	typ	max	Unit
[Digital 5.0 V Regulator Block] Power cont. = 5 V						
Output voltage	$V_{O\ DIGI}$	$V_{CC} = 16\ V, I_{O\ DIGI} = 100\ mA$	4.95	5.05	5.15	V
Dropout voltage	$V_{DROD-DIGI}$	$V_{CC} = 4.9\ V, I_{O\ DIGI} = 110\ mA$		0.6	1.4	V
Line regulation	$\Delta V_{OLN1-DIGI}$	$V_{CC} = 16\ to\ 20\ V, I_{O\ DIGI} = 220\ mA$	0	40	60	mV
	$\Delta V_{OLN2-DIGI}$	$V_{CC} = 16\ to\ 8\ V, I_{O\ DIGI} = 220\ mA$	-100	-70	0	mV
	$\Delta V_{OLN3-DIGI}$	$V_{CC} = 16\ to\ 20\ V, I_{O\ DIGI} = 0\ mA$	-20	0	+20	mV
	$\Delta V_{OLN4-DIGI}$	$V_{CC} = 16\ to\ 8\ V, I_{O\ DIGI} = 0\ mA$	-20	0	+20	mV
Load regulation	$\Delta V_{OLD1-DIGI}$	$V_{CC} = 16\ V, I_{O\ DIGI} = 100\ to\ 220\ mA$	0	40	60	mV
	$\Delta V_{OLD2-DIGI}$	$V_{CC} = 16\ V, I_{O\ DIGI} = 100\ to\ 0\ mA$	-60	-40	0	mV
Peak output current	$I_{OP-DIGI}$	$V_{CC} = 6.5\ V$	220	260		mA
Short circuit output current	$I_{OSC-DIGI}$	$V_{CC} = 6.5\ V$		260		mA
[CD 5.0 V Regulator Block] Power cont. = 5 V, Mode SW = 5 V						
Output voltage	$V_{O\ CD5}$	$V_{CC} = 16\ V, I_{O\ CD5} = 100\ mA$	4.9	5.0	5.1	V
Dropout voltage	$V_{DROD-CD5}$	$V_{CC} = 4.9\ V, I_{O\ CD5} = 110\ mA$		0.6	1.4	V
Line regulation	$\Delta V_{OLN1-CD5}$	$V_{CC} = 16\ to\ 20\ V, I_{O\ CD5} = 220\ mA$	0	40	60	mV
	$\Delta V_{OLN2-CD5}$	$V_{CC} = 16\ to\ 8\ V, I_{O\ CD5} = 220\ mA$	-100	-70	0	mV
	$\Delta V_{OLN3-CD5}$	$V_{CC} = 16\ to\ 20\ V, I_{O\ CD5} = 0\ mA$	-20	0	+20	mV
	$\Delta V_{OLN4-CD5}$	$V_{CC} = 16\ to\ 8\ V, I_{O\ CD5} = 0\ mA$	-20	0	+20	mV
Load regulation	$\Delta V_{OLD1-CD5}$	$V_{CC} = 16\ V, I_{O\ CD5} = 100\ to\ 220\ mA$	0	40	60	mV
	$\Delta V_{OLD2-CD5}$	$V_{CC} = 16\ V, I_{O\ CD5} = 100\ to\ 0\ mA$	-60	-40	0	mV
Peak output current	I_{OP-CD5}	$V_{CC} = 6.5\ V$	220	260		mA
Short circuit output current	$I_{OSC-CD5}$	$V_{CC} = 6.5\ V$		260		mA
[CD 8.0 V Regulator Block] $V_{CC} = 9.5\ V, I_{O\ CD8} = 800\ mA$, Power cont. = 5 V, Mode SW = 5 V						
Output voltage	$V_{O\ CD8}$		7.5	8.0	8.5	V
Dropout voltage	$V_{DROD-CD8}$	$V_{CC} = 7.5\ V, I_{O\ CD8} = 400\ mA$		0.6	1.4	V
Line regulation	$\Delta V_{OLN-CD8}$	$V_{CC} = 9.5\ to\ 22\ V$		20	200	mV
Load regulation	$\Delta V_{OLD-CD8}$	$I_{O\ CD8} = 0\ to\ 800\ mA$		100	250	mV
Peak output current	I_{OP-CD8}		0.8	1.1		A
[Radio 5.0 V Regulator Block] Power cont. = 5 V						
Output voltage	$V_{O\ RAD}$	$V_{CC} = 16\ V, I_{O\ RAD} = 50\ mA$	4.9	5.0	5.1	V
Dropout voltage	$V_{DROD-RAD}$	$V_{CC} = 4.9\ V, I_{O\ RAD} = 50\ mA$		0.6	1.4	V
Line regulation	$\Delta V_{OLN1-RAD}$	$V_{CC} = 16\ to\ 20\ V, I_{O\ RAD} = 100\ mA$	0	20	40	mV
	$\Delta V_{OLN2-RAD}$	$V_{CC} = 16\ to\ 8\ V, I_{O\ RAD} = 100\ mA$	-70	-40	0	mV
	$\Delta V_{OLN3-RAD}$	$V_{CC} = 16\ to\ 20\ V, I_{O\ RAD} = 0\ mA$	-10	0	+10	mV
	$\Delta V_{OLN4-RAD}$	$V_{CC} = 16\ to\ 8\ V, I_{O\ RAD} = 0\ mA$	-10	0	+10	mV
Load regulation	$\Delta V_{OLD1-RAD}$	$V_{CC} = 16\ V, I_{O\ RAD} = 50\ to\ 100\ mA$	0	20	40	mV
	$\Delta V_{OLD2-RAD}$	$V_{CC} = 16\ V, I_{O\ RAD} = 50\ to\ 0\ mA$	-40	-20	0	mV
Peak output current	I_{OP-RAD}	$V_{CC} = 6.5\ V$	100	160		mA
Short circuit output current	$I_{OSC-RAD}$	$V_{CC} = 6.5\ V$		160		mA
[Loading 7.5 V Regulator Block] Power cont. = 5 V						
REG SET voltage	V_{REGS}	$V_{CC} = 16\ V, I_{O\ LOAD} = 400\ mA$	1.27	1.31	1.35	V
Dropout voltage	$V_{DROD-LOAD}$	$V_{CC} = 7.3\ V, I_{O\ LOAD} = 400\ mA$		0.4	0.8	V
Line regulation	$\Delta V_{OLN1-LOAD}$	$V_{CC} = 16\ to\ 20\ V, I_{O\ LOAD} = 800\ mA$	0	10	20	mV
	$\Delta V_{OLN2-LOAD}$	$V_{CC} = 16\ to\ 9\ V, I_{O\ LOAD} = 800\ mA$	-20	-10	0	mV
	$\Delta V_{OLN3-LOAD}$	$V_{CC} = 16\ to\ 20\ V, I_{O\ LOAD} = 0\ mA$	-10	0	+10	mV
	$\Delta V_{OLN4-LOAD}$	$V_{CC} = 16\ to\ 9\ V, I_{O\ LOAD} = 0\ mA$	-10	0	+10	mV
Load regulation	$\Delta V_{OLD1-LOAD}$	$V_{CC} = 16\ V, I_{O\ LOAD} = 400\ to\ 800\ mA$	0	10	20	mV
	$\Delta V_{OLD2-LOAD}$	$V_{CC} = 16\ V, I_{O\ LOAD} = 400\ to\ 0\ mA$	-20	-10	0	mV
Peak output current	$I_{OP-LOAD}$	$V_{CC} = 9\ V$	0.8			A
Short circuit output current	$I_{OSC-LOAD}$	$V_{CC} = 9\ V$		200		mA

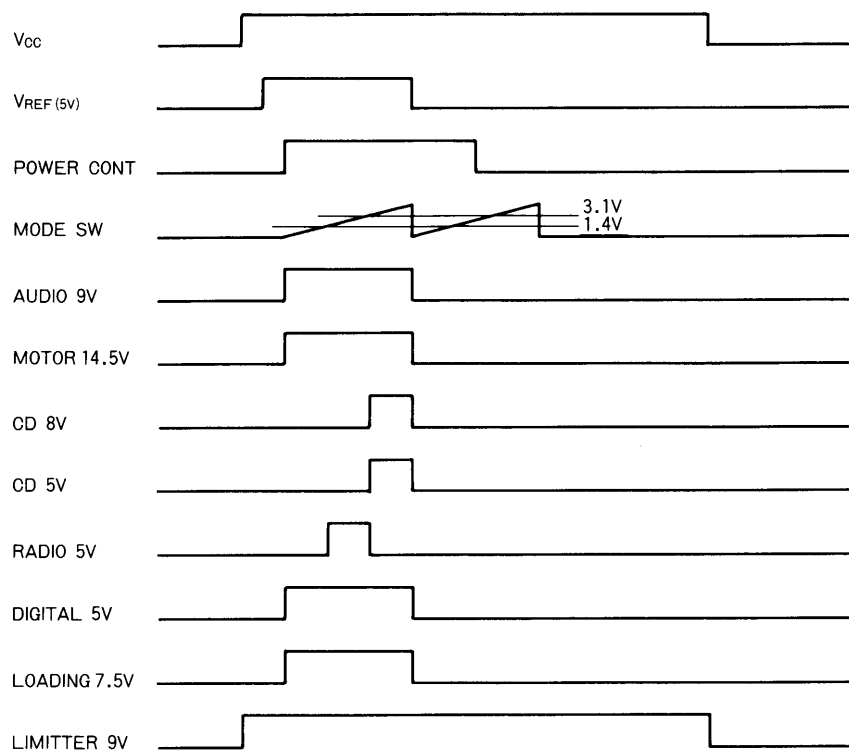
Continued on next page.

LA5609

Continued from preceding page.

Parameter	Symbol	Conditions	min	typ	max	Unit
[9.0 V Limiter Block] $V_{CC} = 11\text{ V}$, $I_{O\text{ LIM}} = 60\text{ mA}$						
Output voltage	$V_{O\text{ LIM}}$		8.0	9.0	9.5	V
Dropout voltage	$V_{D\text{ROP-LIM}}$	$V_{CC} = 8\text{ V}$		1.0		V
Peak output current	$I_{O\text{P-LIM}}$		60	150		mA
Short circuit output current	$I_{O\text{SC-LIM}}$			200		mA
[Mode Switch] $V_{CC} = 12\text{ V}$						
Voltage with radio mode on	$V_{M\text{TH H}}$	Voltage when the radio output is switched high	1.1	1.4	1.7	V
Voltage with radio mode off	$V_{M\text{TH L}}$	Voltage when the radio output is switched low	2.9	3.1	3.3	V
Voltage with CD mode on	$V_{R\text{TH H}}$	Voltage when the CD 5 V and CD 8 V are switched high	2.9	3.1	3.3	V
Input impedance	Z_I		16.8	24	31.2	k Ω
[Power Control] $V_{CC} = 12\text{ V}$						
Output on control voltage	$V_{I\text{ CONT-ON}}$		3.0			V
Output off control voltage	$V_{I\text{ CONT-OFF}}$				2.0	V
[AC standby]						
Output on control voltage	$V_{I\text{ AC-ON}}$		2.0			V
Output off control voltage	$V_{I\text{ AC-OFF}}$				1.0	V
[5 V System Regulator Block] $V_{CC} = 16\text{ V}$, $I_{O\text{ DIGI}} = I_{O\text{ CD5}} = 100\text{ mA}$, $I_{O\text{ RAD}} = 50\text{ mA}$						
Difference between output voltages	ΔV_{DEF}			0	0.15	V

Timing Chart

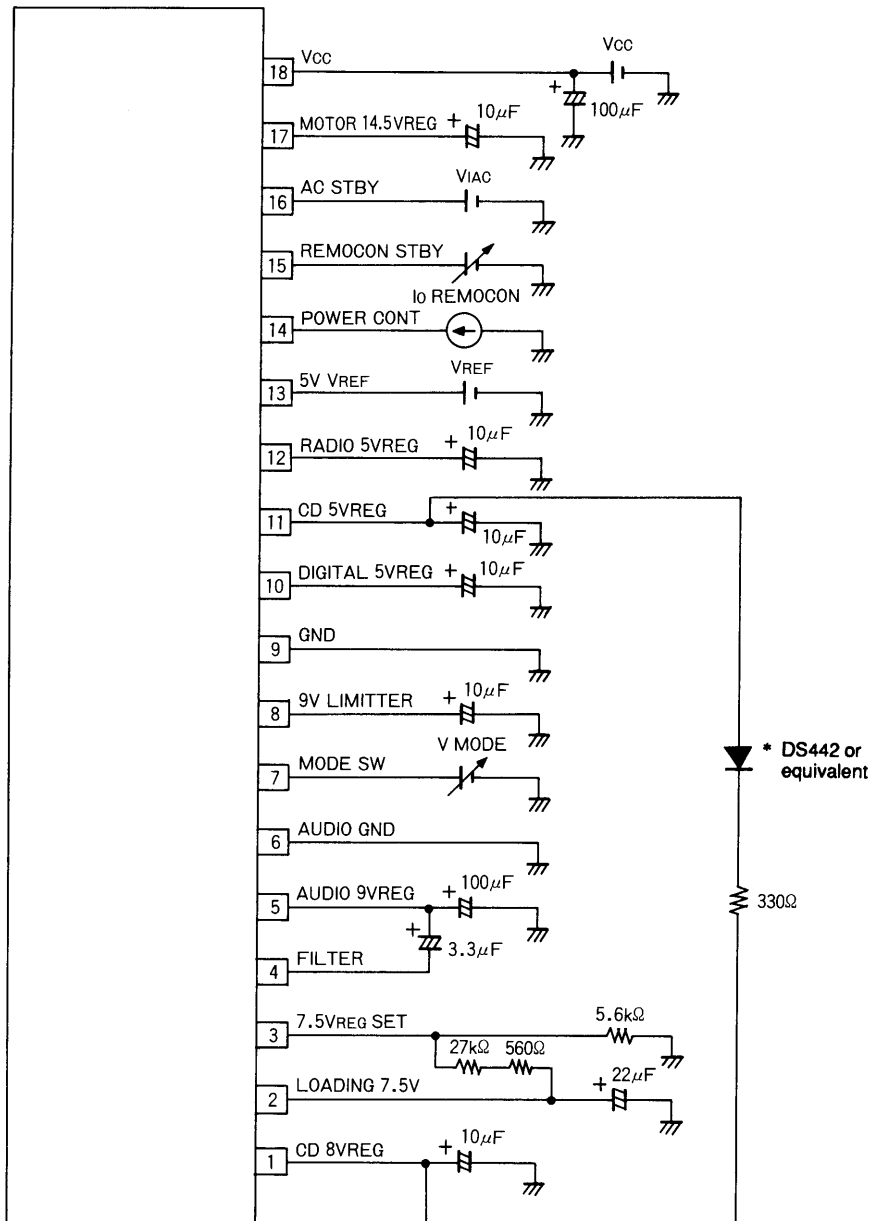


LA5609

Function Table

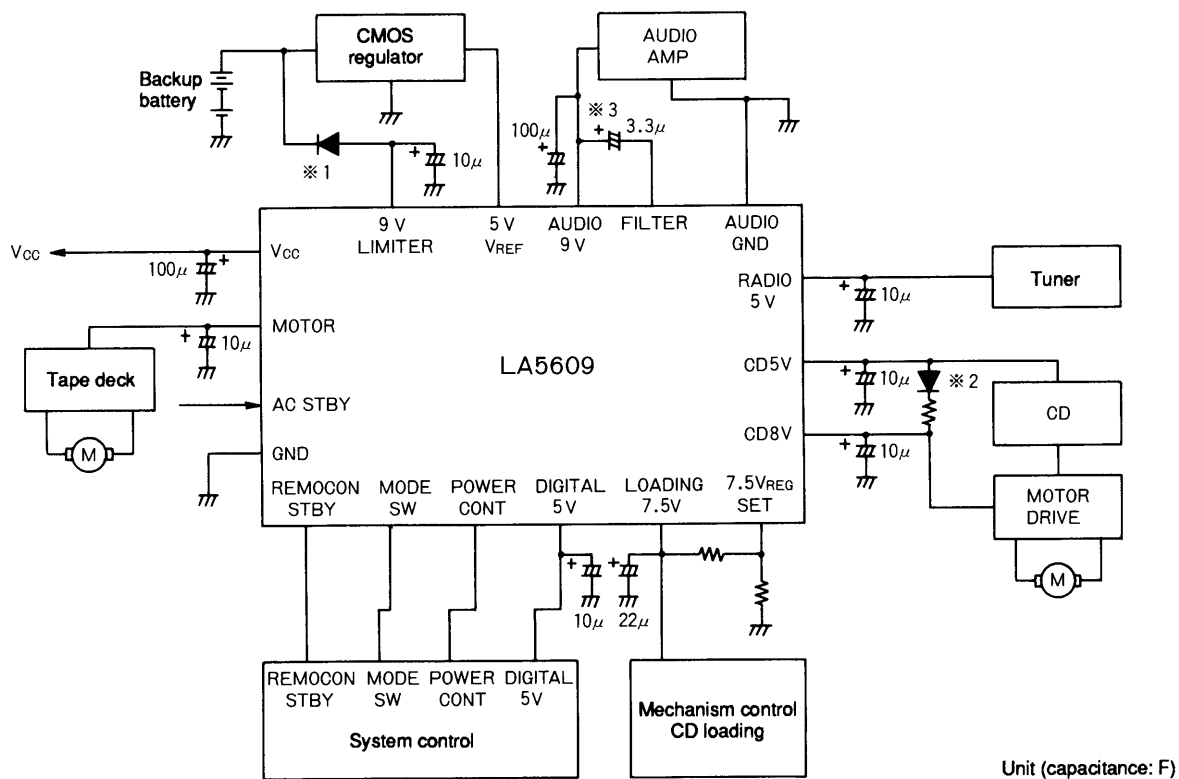
V _{REF}	Power cont.	Mode SW	V _{OUT}						
			Audio 9 V	Motor 14.5 V	Digital 5 V	Loading 7.5 V	CD 8 V/ CD 5 V	Radio 5 V	Limiter 9 V
L	L	L (0 V)		L			L	L	H
		M (2.5 V)		L			L	L	H
		H (5 V)		L			L	L	H
	H	L (0 V)		L			L	L	H
		M (2.5 V)		L			L	L	H
		H (5 V)		L			L	L	H
H	L	L (0 V)		L			L	L	H
		M (2.5 V)		L			L	L	H
		H (5 V)		L			L	L	H
	H	L (0 V)		H			L	L	H
		M (2.5 V)		H			L	H	H
		H (5 V)		H			H	L	H

Test Circuit



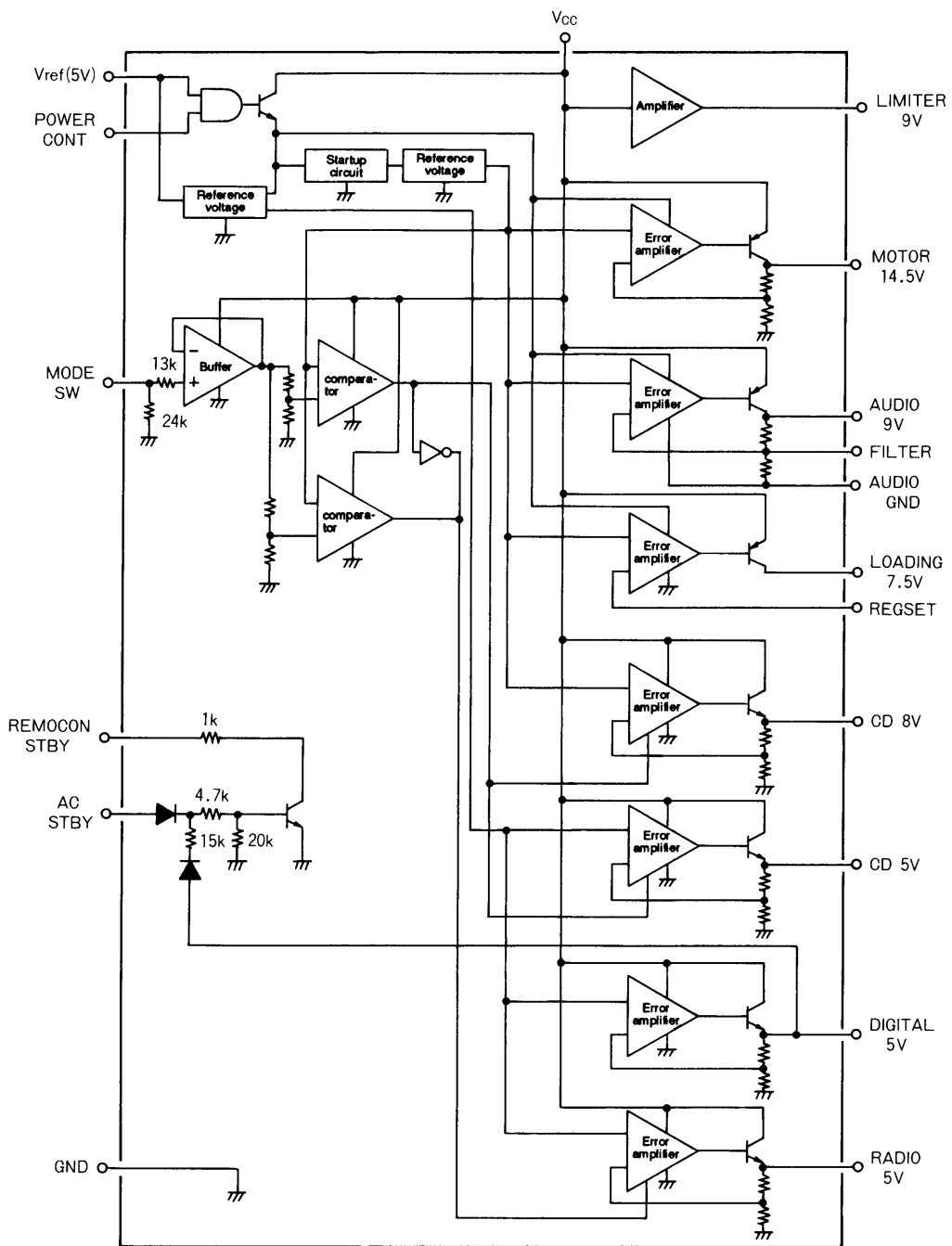
Note: * This diode is required for bringing up the CD 8 V regulator.

Sample Application Circuit



- Note: 1. The diode in the 9 V limiter block must be added. It is required for preventing current from flowing into the 9 V limiter from the backup battery when V_{CC} is off.
2. The diode and resistor between the CD 5 V and CD 8 V blocks must be added. It is required to bring up the CD 8 V regulator.
3. External noise can be limited and ripple rejection can be improved by adding an electrolytic capacitor between the audio 9 V and the filter circuits.
4. The electrolytic capacitors between V_{CC} and GND and between each V0 and GND should have capacitances at least those shown in the diagram. Use Sanyo HW Series aluminum electrolytic capacitors or equivalent products.

Equivalent Circuit Block Diagram



Unit (resistance: Ω)

- Specifications of any and all SANYO products described or contained herein stipulate the performance, characteristics, and functions of the described products in the independent state, and are not guarantees of the performance, characteristics, and functions of the described products as mounted in the customer's products or equipment. To verify symptoms and states that cannot be evaluated in an independent device, the customer should always evaluate and test devices mounted in the customer's products or equipment.
- SANYO Electric Co., Ltd. strives to supply high-quality high-reliability products. However, any and all semiconductor products fail with some probability. It is possible that these probabilistic failures could give rise to accidents or events that could endanger human lives, that could give rise to smoke or fire, or that could cause damage to other property. When designing equipment, adopt safety measures so that these kinds of accidents or events cannot occur. Such measures include but are not limited to protective circuits and error prevention circuits for safe design, redundant design, and structural design.
- In the event that any and all SANYO products described or contained herein fall under strategic products (including services) controlled under the Foreign Exchange and Foreign Trade Control Law of Japan, such products must not be exported without obtaining export license from the Ministry of International Trade and Industry in accordance with the above law.
- No part of this publication may be reproduced or transmitted in any form or by any means, electronic or mechanical, including photocopying and recording, or any information storage or retrieval system, or otherwise, without the prior written permission of SANYO Electric Co., Ltd.
- Any and all information described or contained herein are subject to change without notice due to product/technology improvement, etc. When designing equipment, refer to the "Delivery Specification" for the SANYO product that you intend to use.
- Information (including circuit diagrams and circuit parameters) herein is for example only; it is not guaranteed for volume production. SANYO believes information herein is accurate and reliable, but no guarantees are made or implied regarding its use or any infringements of intellectual property rights or other rights of third parties.

This catalog provides information as of August, 1998. Specifications and information herein are subject to change without notice.