



LA4592W

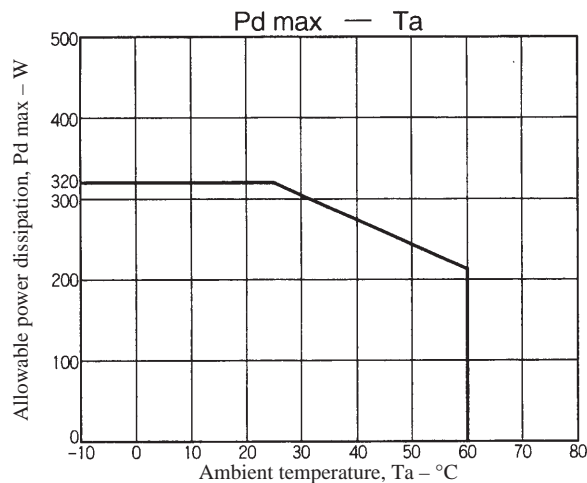
1.5-V Preamplifier + Power Amplifier for Headphone Stereo Products

Overview

The LA4592W is a single-chip 1.5-V headphone stereo system IC. The LA4592W adds a variety of functions, including a switch amplifier (for end product audio quality switches, the metal tape switch, and other switches) and an AMSS (Automatic Music Search System) function that supports blank skipping, to the earlier LA4590W. Furthermore, the LA4592W provides even lower no-signal time power levels for lower end-product power dissipation. In combination with the LA3235W 1.5-V record preamplifier IC, the LA4592W can be used to implement a record/playback cassette system with just two ICs.

Functions

- Stereo preamplifier: supports auto reverse and includes a muting function.
- Stereo power amplifier: Includes OCL and muting



Specifications

Maximum Ratings at Ta = 25°C

Parameter	Symbol	Conditions	Ratings	Unit
Maximum supply voltage	V _{CC} max		3.0	V
Allowable power dissipation	Pd max		320	mW
Operating temperature	T _{opr}		-10 to +60	°C
Storage temperature	T _{stg}		-40 to +125	°C

Allowable Operating Ranges at Ta = 25°C

Parameter	Symbol	Conditions	Ratings	Unit
Recommended supply voltage	V _{CC}		1.5	V
Operating supply voltage range	V _{CCop}		0.95 to 2.2	V

functions.

- Ripple filter
- Low boost function (BTL operation in the low-frequency region)
- Inter-track detection function (Supports AMSS and blank skipping)
- Two switching amplifiers
- Power switch (standby function)

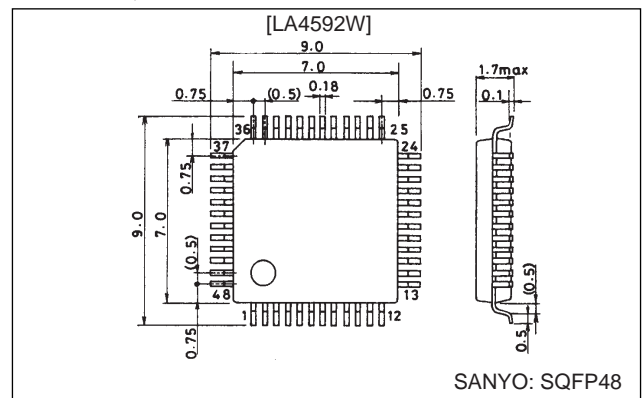
Features

- Virtual ground impedance is reduced by built-in V_{REF} amplifier
- No capacitor required for ripple filter oscillation prevention.
- Provides ample output power at low frequencies. (P_O = 24 mW, V_{CC} = 1.2 V, f = 150 Hz)
- High-frequency cutoff capacitors built into the preamplifier and power amplifier inputs to minimize buzzing.

Package Dimensions

unit: mm

3163A-SQFP48



LA4592W

Operating Characteristics at $T_a = 25^\circ\text{C}$, $V_{CC} = 1.2\text{ V}$, $f = 1\text{ kHz}$, $0.775\text{ V} = 0\text{ dB}$, $R_L = 10\text{ k}\Omega$ (preamplifier) $R_L = 16\text{ }\Omega$ (power amplifier)

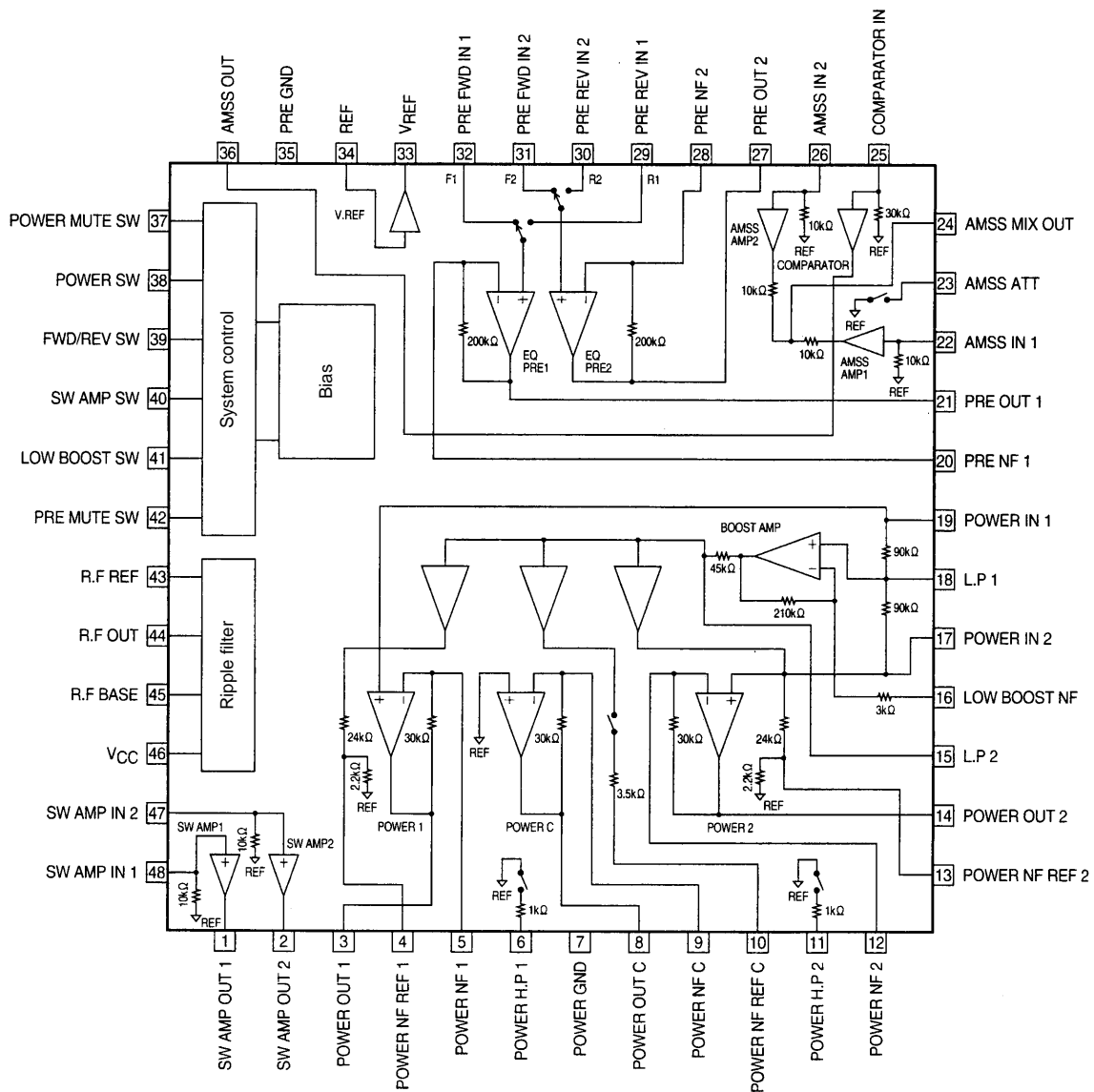
Parameter	Symbol	Conditions	Ratings			Unit
			min	typ	max	
[PRE + PWR]						
Quiescent current	I_{CCO1}	$R_g = 2.2\text{ k}\Omega$, $R_V = 0\text{ }\Omega$	8.5	11	16	mA
	I_{CCO2}	With the power switch off		0.1	5	μA
Voltage gain (closed loop)	V_{GT}	$V_O = -20\text{ dBm}$, $R_V = 10\text{ k}\Omega$	54	57	60	dB
[PRE AMP]						
Voltage gain (open loop)	V_{G0}	$V_O = -20\text{ dBm}$	60	68		dB
Voltage gain (closed loop)	V_{G1}	$V_O = -20\text{ dBm}$	34	35.3	37	dB
Maximum output voltage	$V_{O\text{ max}1}$	THD = 1 %	100	210		mV
Total harmonic distortion	THD1	$V_G = 35.3\text{ dB/NAB}$, $V_O = 100\text{ mV}$		0.08	0.5	%
Equivalent input noise voltage	V_{N1}	$R_g = 2.2\text{ k}\Omega$, BPF = 20 Hz to 20 kHz		1.3	3.0	μV
Interchannel crosstalk	CT1	$R_g = 2.2\text{ k}\Omega$, TUNE 1 kHz, $V_O = -20\text{ dBm}$	45	56		dB
F/R crosstalk	CT2	$R_g = 2.2\text{ k}\Omega$, TUNE 1 kHz, $V_O = -20\text{ dBm}$	65	78		dB
Ripple rejection ratio	R_{r1}	$R_g = 2.2\text{ k}\Omega$, $V_r = -30\text{ dBm}$, $f_r = 100\text{ Hz}$, TUNE 100 Hz	45	52		dB
Muting output voltage	V_{M1}	$V_{IN} = -40\text{ dBm}$, TUNR 1 kHz, With the muting function on			-90	dBm
[Low Boost + Power Amplifier]						
Voltage gain (closed loop)	V_{G3}	$V_O = -20\text{ dBm}$	20.5	23	25.5	dB
	V_{G4}	$V_O = -20\text{ dBm}$, L.B = ON	20.5	23	25.5	dB
	V_{G5}	$V_O = -20\text{ dBm}$, L.B = ON, $f = 10\text{ kHz}$	24.5	27.5	30.5	dB
	V_{G6}	$V_O = -20\text{ dBm}$, L.B = ON, $f = 100\text{ Hz}$	28	32	36	dB
Output voltage	P_{O1}	THD = 10 %	5	9		mW
	P_{O2}	THD = 10 %, $f = 100\text{ Hz}$, L.B = ON	13	19		mW
Total harmonic distortion	THD2	$P_O = 1\text{ mW}$		0.3	1.5	%
Interchannel crosstalk	CT3	$V_O = -20\text{ dBm}$, $R_V = 0\text{ }\Omega$	38	43		dB
Output noise voltage	V_{NO}	$R_V = 0\text{ }\Omega$, BPF = 20 Hz to 20 kHz		20	33	μV
Ripple rejection ratio	R_{r2}	$R_V = 0\text{ }\Omega$, $V_r = -30\text{ dBm}$, $f_r = 100\text{ Hz}$, TUNE 100 Hz	50	74		dB
Muting output voltage	V_{M2}	$V_{IN} = -30\text{ dBm}$, TUNE 1 kHz, With the muting function on			-90	dBm
Input resistance	R_i		8	10	12	$\text{k}\Omega$
Voltage gain difference	ΔV_{G3}			0	1.5	dB
[Ripple Filter]						
Ripple rejection ratio	R_{r3}	$f_r = 100\text{ Hz}$, $V_r = -30\text{ dBm}$, $V_{CC} = 1.0\text{ V}$, $I_{RF} = 25\text{ mA}$, using a rank 6 2SB1295	33	39		dB
Output voltage	V_{RF}	$V_{CC} = 1.0\text{ V}$, $I_{RF} = 25\text{ mA}$	0.89	0.94		V
[AMSS]						
Operating output voltage	V_{OAMSS1}	The preamplifier output voltage when the AMSS $V_O = 0.6\text{ V p-o}$ With the PWR muting on. (AMSS)	3.33	4.7	6.64	mV
Operating output voltage	V_{OAMSS2}	The preamplifier output voltage when the AMSS $V_O = 0.6\text{ V p-o}$ With the PWR muting off. (BLANK SKIP)	479	675	953	μV
Operating output voltage	V_{OAMSS3}	The preamplifier output voltage when the AMSS $V_O = 0.6\text{ V p-o}$ With pin 34 shorted through a 270- Ω resistor. With the PWR muting on.	2.62	3.7	5.23	mV
Operating output voltage	V_{OAMSS4}	The preamplifier output voltage when the AMSS $V_O = 0.6\text{ V p-o}$ With pin 34 shorted through a 270- Ω resistor. With the PWR muting on.	375	530	749	μV
[SW AMP]						
Voltage gain (closed loop)	V_{G7}	$V_O = -25\text{ dBm}$	-1.2	-0.7	-0.2	dB
Maximum output voltage	$V_{O\text{ max}2}$	THD = 1 %	25	60		mV
Ripple rejection ratio	R_{r4}	With the input pins open, $V_r = -30\text{ dBm}$, $f_r = 100\text{ Hz}$, TUNE 100 Hz	50	75		dB
Output voltage when off	V_{M3}	$V_{IN} = -20\text{ dBm}$, TUNE 1 kHz, SW OFF			-90	dBm

LA4592W

AMSS Temperature Characteristics (Values for reference only)

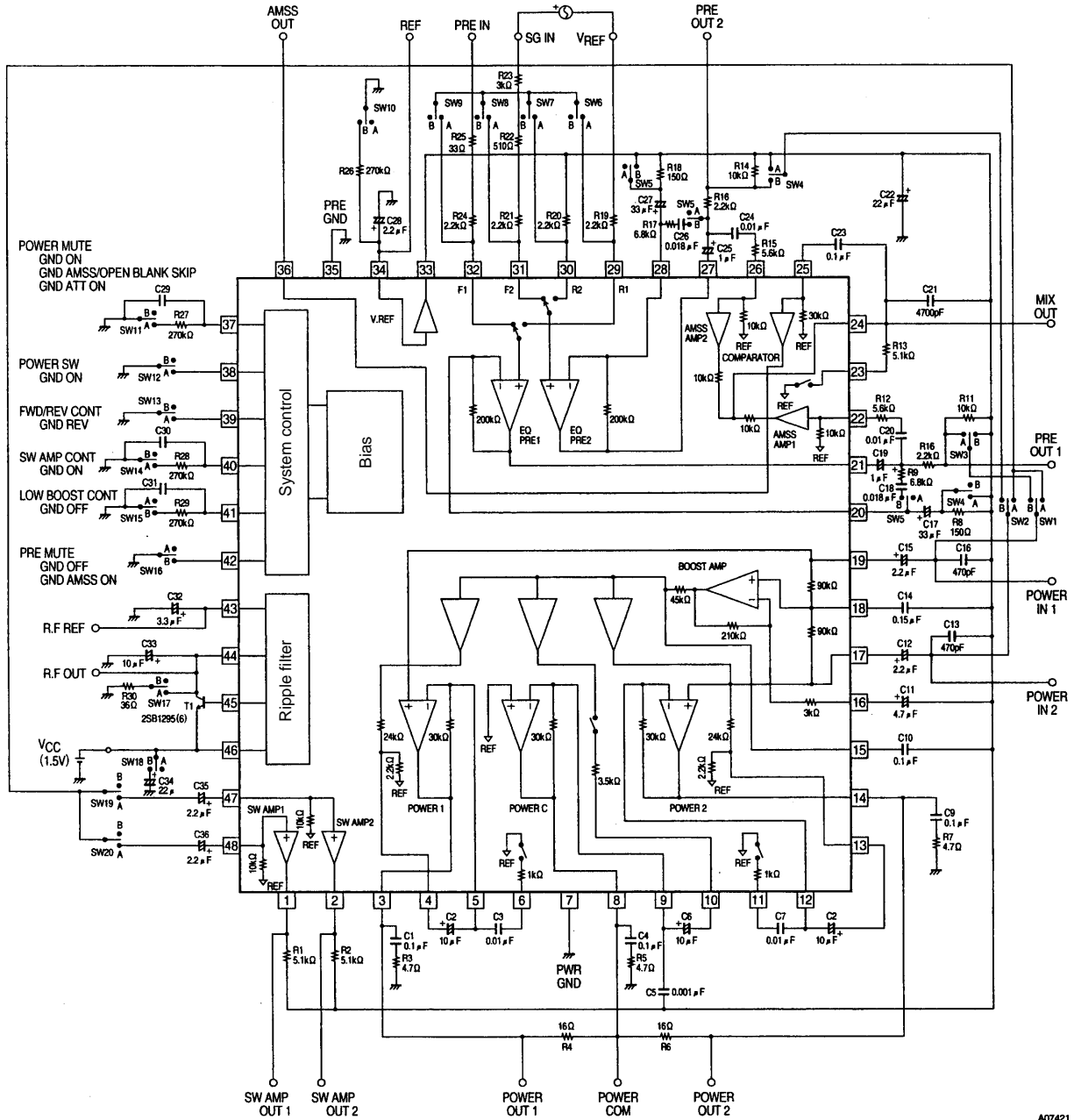
Parameter	Symbol	Conditions	Ratings			Unit
			min	typ	max	
AMSS	Ta		-10	25	50	°C
Operating output voltage	VOAMSS1	The preamplifier output voltage when the AMSS VO = 0.6 V p-o With the PWR muting on. (AMSS)	3.9	4.7	5.4	mV
	VOAMSS2	The preamplifier output voltage when the AMSS VO = 0.6 V p-o	605	675	735	μV

Block Diagram



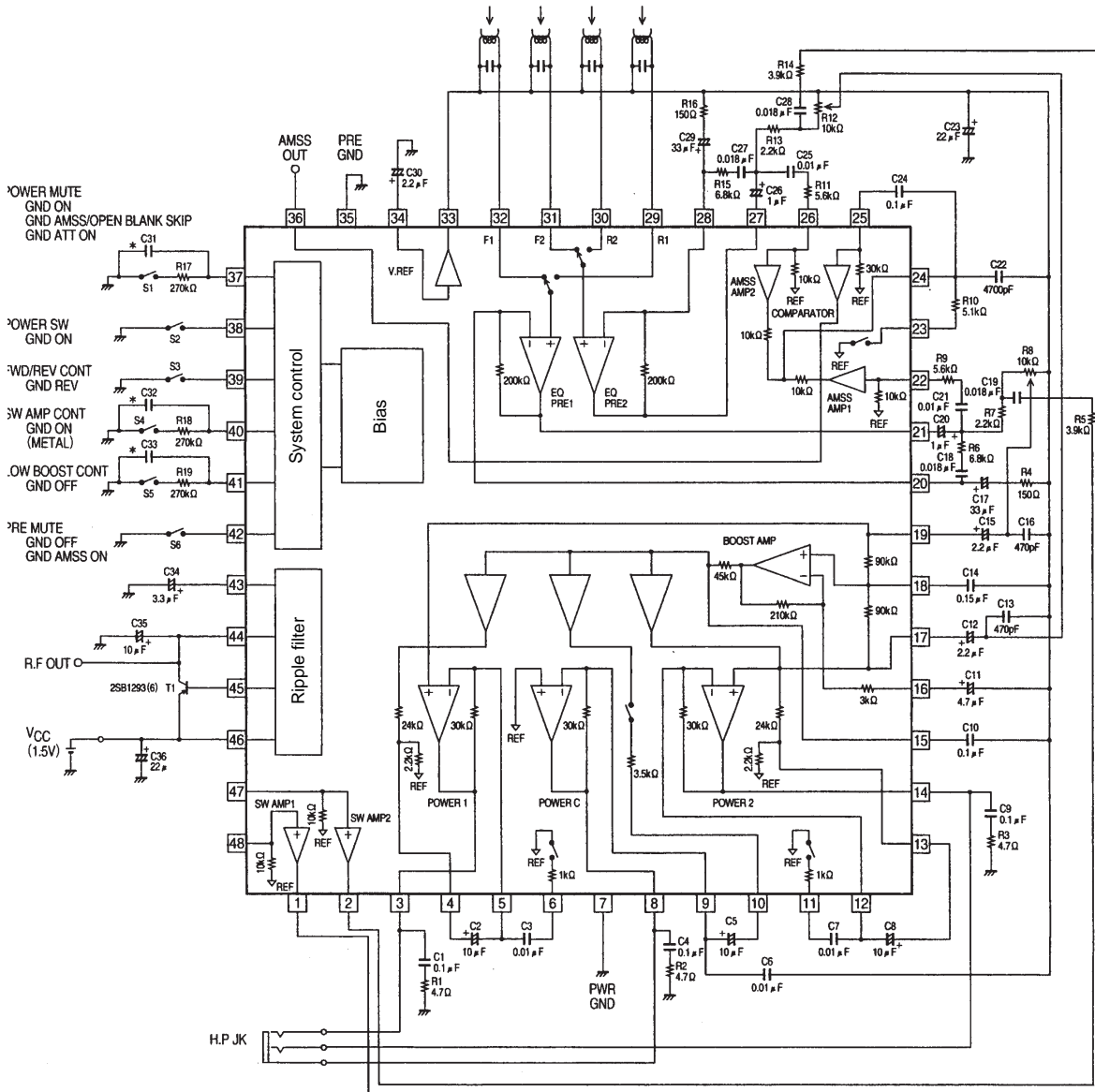
A07420

Test Circuit Diagram



A07421

Sample Application Circuit



*: Adjust the values of the capacitors marked with an asterisk to match the timing required by the end product.

- No products described or contained herein are intended for use in surgical implants, life-support systems, aerospace equipment, nuclear power control systems, vehicles, disaster/crime-prevention equipment and the like, the failure of which may directly or indirectly cause injury, death or property loss.
- Anyone purchasing any products described or contained herein for an above-mentioned use shall:
 - ① Accept full responsibility and indemnify and defend SANYO ELECTRIC CO., LTD., its affiliates, subsidiaries and distributors and all their officers and employees, jointly and severally, against any and all claims and litigation and all damages, cost and expenses associated with such use:
 - ② Not impose any responsibility for any fault or negligence which may be cited in any such claim or litigation on SANYO ELECTRIC CO., LTD., its affiliates, subsidiaries and distributors or any of their officers and employees jointly or severally.
- Information (including circuit diagrams and circuit parameters) herein is for example only; it is not guaranteed for volume production. SANYO believes information herein is accurate and reliable, but no guarantees are made or implied regarding its use or any infringements of intellectual property rights or other rights of third parties.

This catalog provides information as of July, 1997. Specifications and information herein are subject to change without notice.