**Overview**

The LA3550M Auto-Loudness Controller IC provides user-selectable boosting of up to approximately 24dB for low-frequency sound components in the range of 30 to 50Hz.

Boosting gain for low frequencies can be controlled in proportion to the level of an external input signal. High frequencies are also boosted by a fixed 6dB. The result gives natural and dynamic booting at all sound levels, and realistic audio reproduction.

The LA3550M operates on a 1.5V power supply and boosts a super bass adopting the external CR circuit. The boosting feature can be selected "ON/OFF" by means of an electronic switch on the chip.

Features

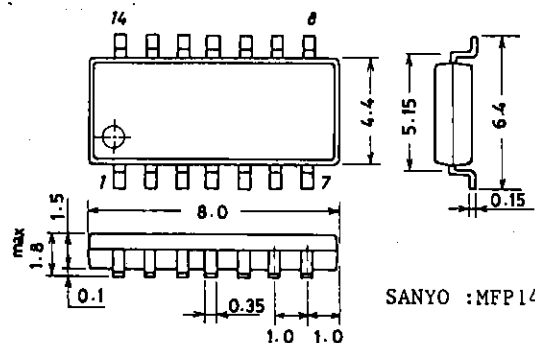
- User-selectable low-frequency boost levels from 5.5 to 23.5dB (max)
- 6dB (fixed) high-frequency boosting
- Low-frequency boost gain level control circuit on-chip
- Output signal detection circuit on-chip
- Boost select/deselect switching
- Built-in AGC circuit prevents clipping
- Reduced noise levels
- Reduced parts' count
- Low-power operation
- 14-pin MFP package (1mm pitch pins)

Maximum Ratings at Ta = 25°C

			unit
Maximum Supply Voltage	V _{CC} max	Quiescent	4.5 V
Allowable Power Dissipation	P _d max		150 mW
Operating Temperature	T _{opr}		-20 to +75 °C
Storage Temperature	T _{stg}		-40 to +125 °C

Operating Conditions at Ta = 25°C

			unit
Recommended Supply Voltage	V _{CC}		1.5 V
Operating Voltage Range	V _{CC}		0.9 to 3.0 V
Recommended Load Resistance	R _L		10 kΩ

Package Dimensions 3111
(unit: mm)

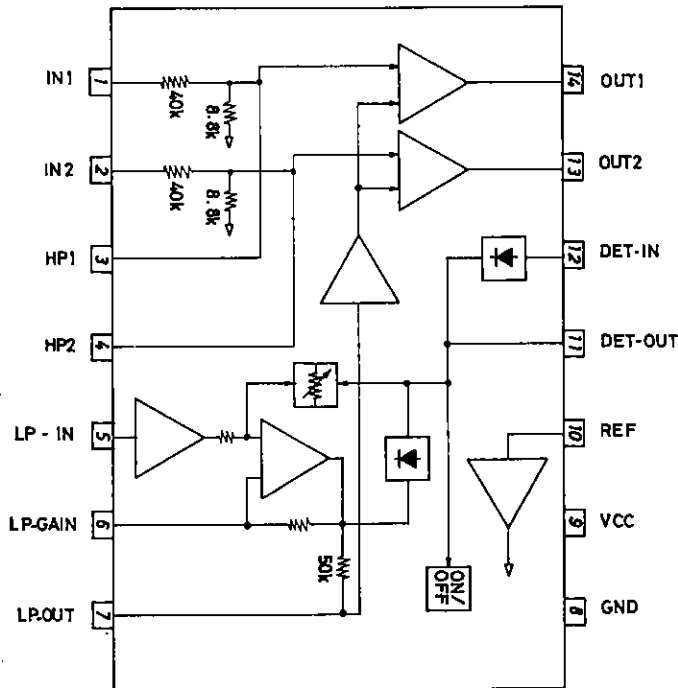
LA3550M

Operating Characteristics at $T_a = 25^\circ\text{C}$, $R_g = 600\Omega$, $R_L = 10\text{k}\Omega$, $f_{\text{DET}} = 1\text{kHz}$, See specified Test Circuit.

			min	typ	max	unit
Quiescent Current	Icco (1)	Quiescent, $V_{\text{CC}} = 1.5\text{V}$, Boost OFF		1.4	2.0	mA
	Icco (2)	Quiescent, $V_{\text{DET}} = -10\text{dBm}$ $V_{\text{CC}} = 1.5\text{V}$, Boost ON		2.1	3.0	mA
Voltage Gain	VG (1)	$V_{\text{CC}} = 1.1\text{V}$, $f = 1\text{kHz}$, Boost OFF	-3.2	-1.7	-0.2	dB
	VG (2)	$V_{\text{CC}} = 1.1\text{V}$, $f = 1\text{kHz}$, Boost ON	-3.2	-1.7	-0.2	dB
*Boost	Boost (1)	$V_{\text{DET}} = -30\text{dBm}$, $V_{\text{CC}} = 1.1\text{V}$, $f = 50\text{Hz}$, Boost ON	21.0	23.5	26.0	dB
	Boost (2)	$V_{\text{DET}} = -15\text{dBm}$, $V_{\text{CC}} = 1.1\text{V}$, $f = 50\text{Hz}$, Boost ON	10.0	12.5	15.0	dB
	Boost (3)	$V_{\text{DET}} = -10\text{dBm}$, $V_{\text{CC}} = 1.1\text{V}$, $f = 50\text{Hz}$, Boost ON	3.0	5.5	8.0	dB
Output Voltage	V_o	$V_{\text{IN}} = -18\text{dBm}$, $V_{\text{CC}} = 1.5\text{V}$, $f = 50\text{Hz}$, Boost ON	120	170	220	mV
Total Harmonic Distortion	THD	$V_o = -20\text{dBm}$, $V_{\text{CC}} = 1.1\text{V}$, $f = 1\text{kHz}$, Boost ON		0.1	1.0	%
Crosstalk	CT	$V_o = -20\text{dBm}$, $R_g = 0$, $V_{\text{CC}} = 1.1\text{V}$, $f = 1\text{kHz}$, Boost ON		26		dB
Output Noise Voltage	V_{NO}	$R_g = 0$, B.P.F = 20Hz to 20kHz, $V_{\text{CC}} = 1.5\text{V}$, Boost OFF		3.5	5.5	μV
Ripple Rejection	SVRR	$R_g = 0$, $f_r = 100\text{Hz}$, $V_R = -30\text{dBm}$, $V_{\text{CC}} = 1.0\text{V}$, Boost ON	20	28		dB

Note) * VG (2) \rightarrow 0dB

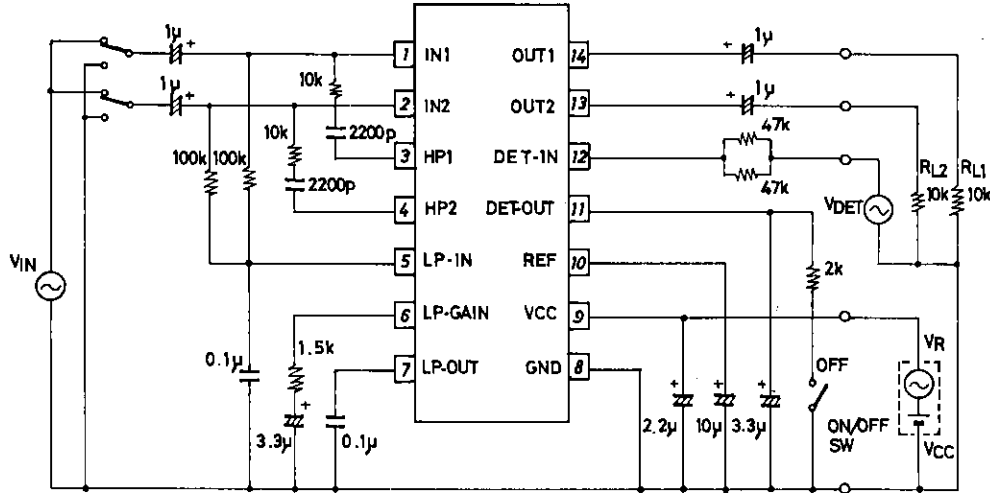
Equivalent Circuit Block Diagram



Unit (resistance: Ω)

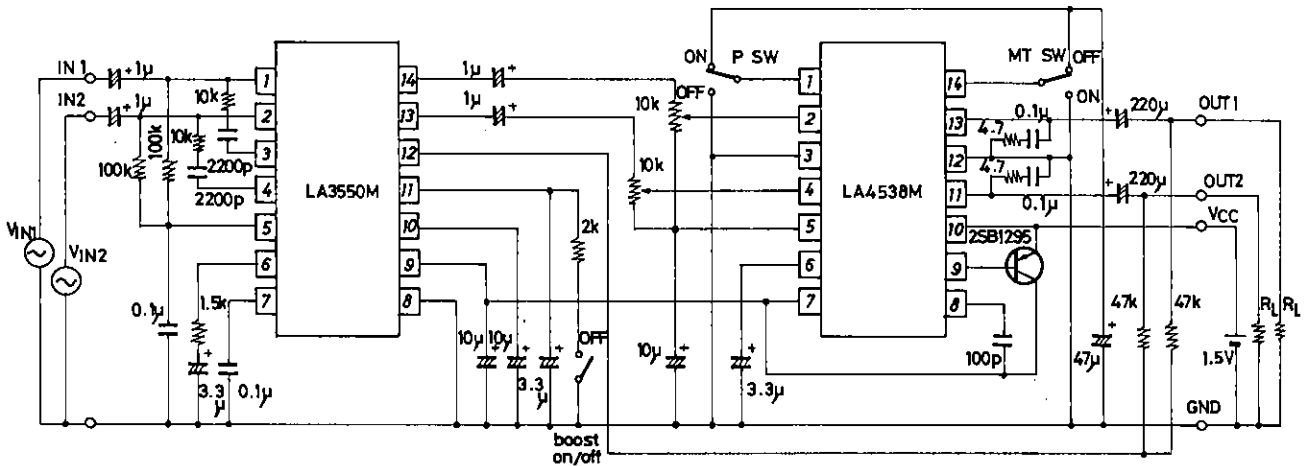
LA3550M

Test Circuit



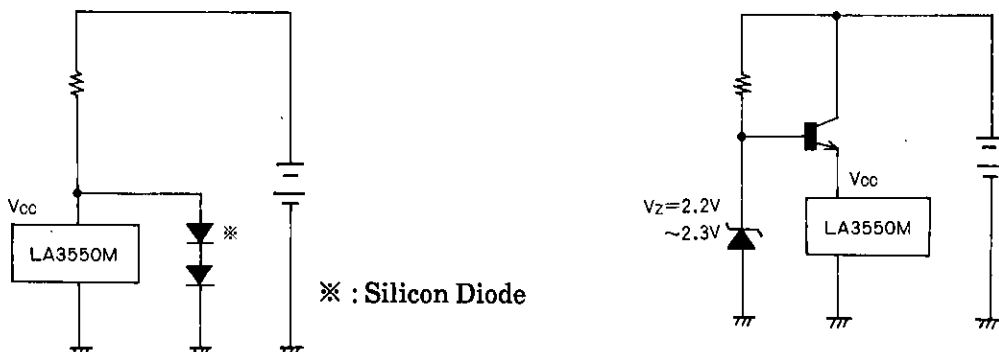
Sample Application Circuit (1)
LA3550M + LA4538M

Unit (resistance: Ω, capacitance: F)



Sample Application Circuit (2)

When using with the $V_{CC}=3V$ set, lower the power supply voltage to less than 1.7V as shown in the figure below.



- No products described or contained herein are intended for use in surgical implants, life-support systems, aerospace equipment, nuclear power control systems, vehicles, disaster/crime-prevention equipment and the like, the failure of which may directly or indirectly cause injury, death or property loss.
- Anyone purchasing any products described or contained herein for an above-mentioned use shall:
 - ① Accept full responsibility and indemnify and defend SANYO ELECTRIC CO., LTD., its affiliates, subsidiaries and distributors and all their officers and employees, jointly and severally, against any and all claims and litigation and all damages, cost and expenses associated with such use:
 - ② Not impose any responsibility for any fault or negligence which may be cited in any such claim or litigation on SANYO ELECTRIC CO., LTD., its affiliates, subsidiaries and distributors or any of their officers and employees jointly or severally.
- Information (including circuit diagrams and circuit parameters) herein is for example only; it is not guaranteed for volume production. SANYO believes information herein is accurate and reliable, but no guarantees are made or implied regarding its use or any infringements of intellectual property rights or other rights of third parties.