

Thick film thermal printhead (8 dots / mm)

KF2010-GH10A

The KF2010-GH10A is a standard type B4-size thick-film thermal printhead, developed mainly for facsimiles.

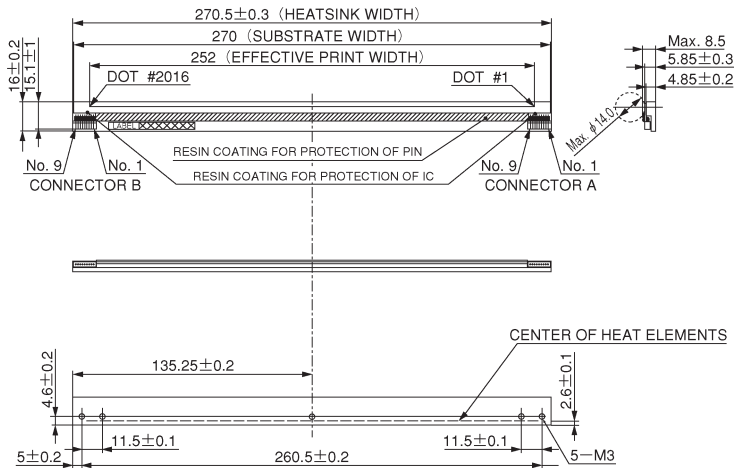
●Applications

Facsimiles
Personal printers

●Features

- 1) A new pin connector structure greatly reduces the size and weight.
- 2) A newly developed 144-bit IC levels the strobe partition and reduces the noise level.
- 3) One rank resistance value of $3000\ \Omega \pm 3\%$ eliminates the inconvenience of rank selection.
- 4) 8-inch and 10-inch series are available.

●External dimensions (Units: mm)



●Equivalent circuit

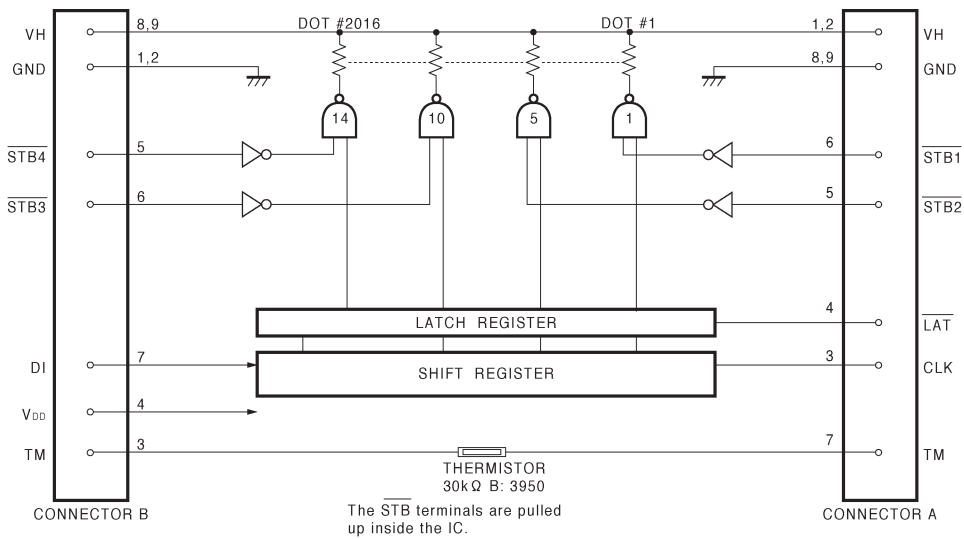


Fig. 1

●Pin assignments

CONNECTOR B	
No.	Circuit
1	GND
2	GND
3	TM
4	V _{DD}
5	$\overline{\text{STB4}}$
6	$\overline{\text{STB3}}$
7	DI
8	VH
9	VH

CONNECTOR A	
No.	Circuit
1	VH
2	VH
3	CLK
4	$\overline{\text{LA}}$
5	$\overline{\text{STB2}}$
6	$\overline{\text{STB1}}$
7	TM
8	GND
9	GND

●Timing chart

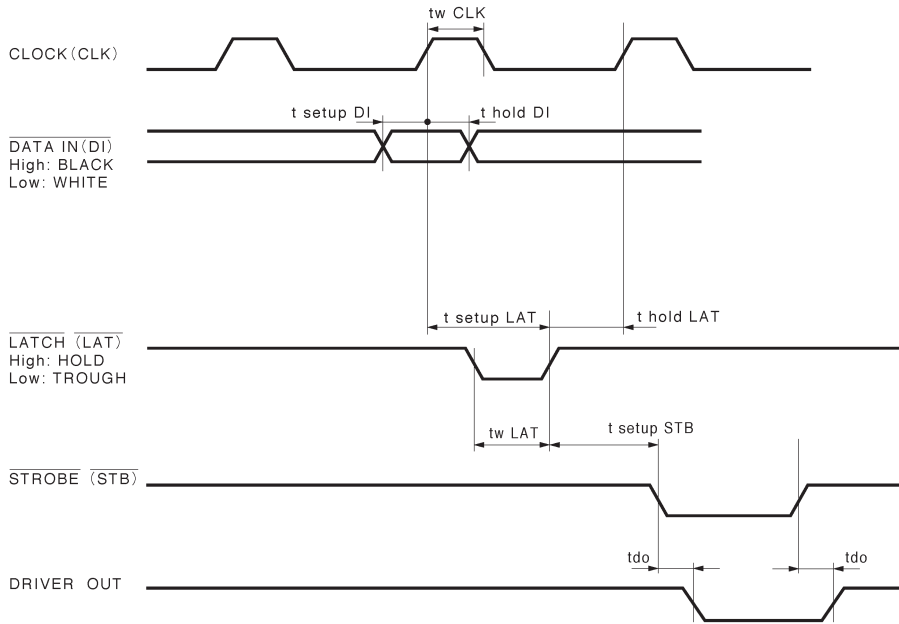


Fig.2

●Characteristics

Parameter	Symbol	Typical	Unit
Effective printing width	—	252.0	mm
Dot pitch	—	0.125	mm
Total dot number	—	2016	dots
Average resistance value	Rave	3000	Ω
Applied voltage	V _H	24.0	V
Applied power	P _O	0.17	W / dot
Print cycle	SLT	10	ms
Pulse width	T _{ON}	2.00	ms
Maximum number of dots energized simultaneously	—	576	dots
Maximum clock frequency	—	4	MHz
Maximum roller diameter	—	14.0	mm
Running life / pulse life	—	30 / 3×10^7	km / pulses
Operating temperature	—	5~45	°C

●Electrical characteristic curves

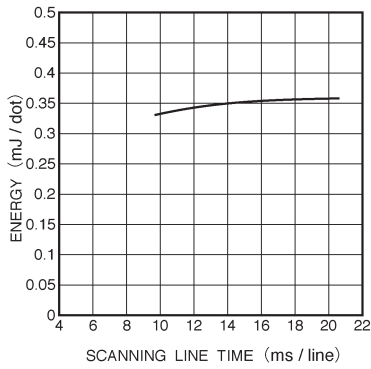


Fig. 3 Adaptive speed chart

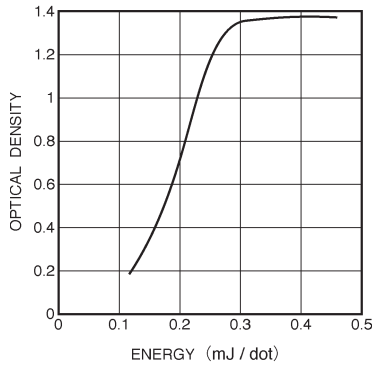


Fig. 4 Representative density curve

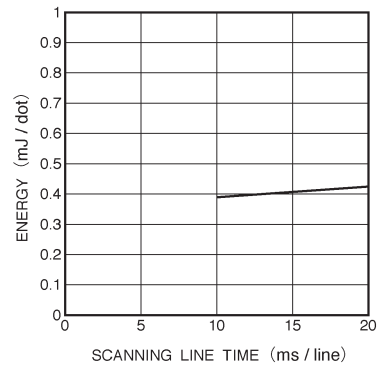


Fig. 5 Maximum energy curve

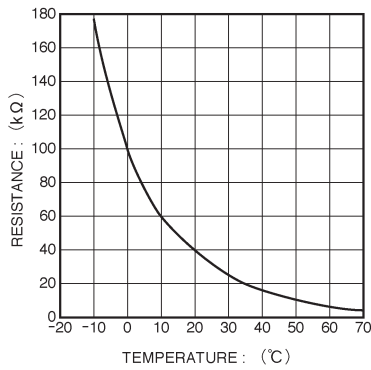


Fig. 6 Thermistor curve